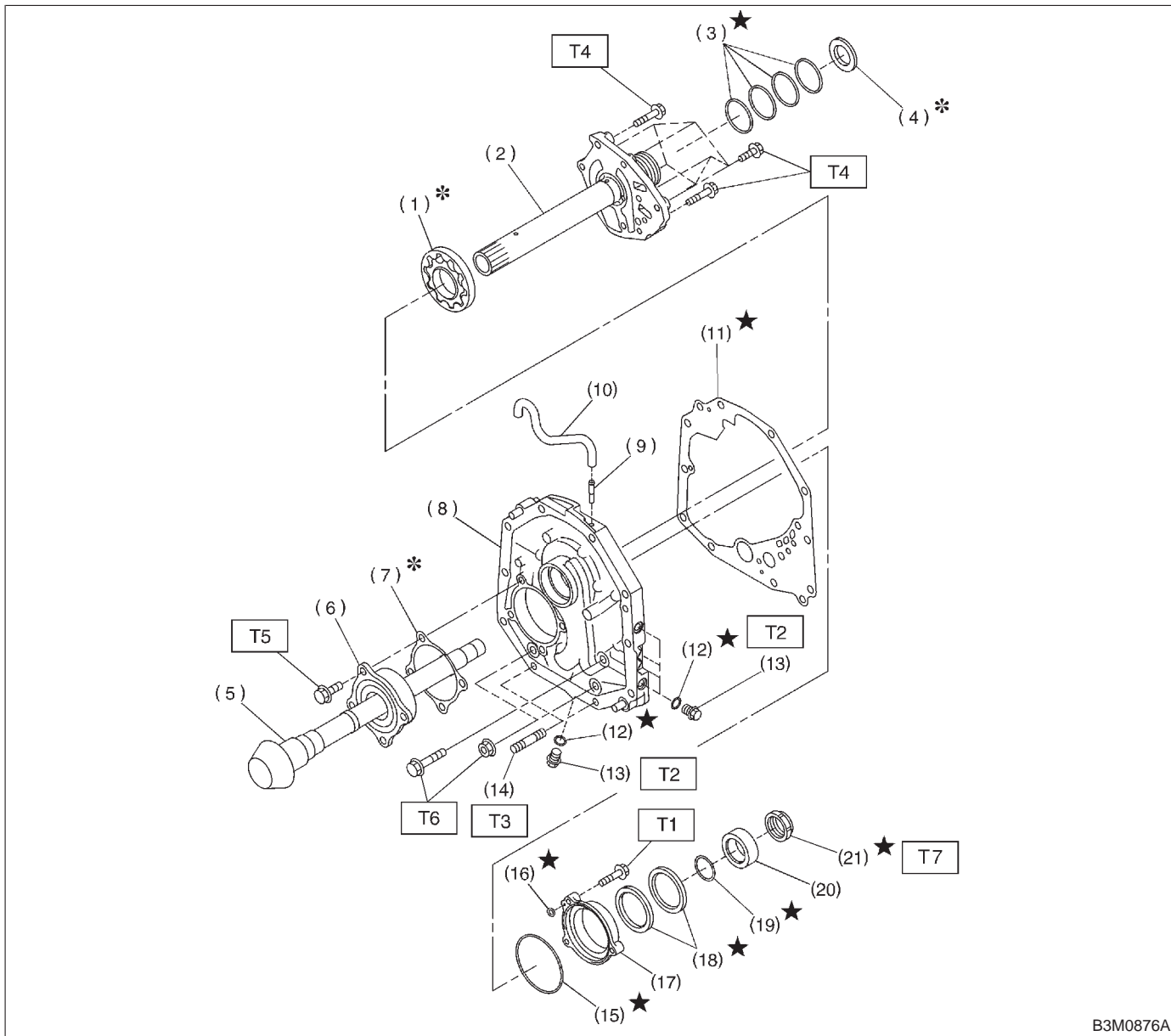


2. Oil Pump



B3M0876A

- | | |
|---------------------------|--------------------------|
| (1) Oil pump rotor | (12) O-ring |
| (2) Oil pump cover | (13) Test plug |
| (3) Seal ring | (14) Stud bolt |
| (4) Thrust needle bearing | (15) O-ring |
| (5) Drive pinion shaft | (16) O-ring |
| (6) Roller bearing | (17) Oil seal retainer |
| (7) Shim | (18) Oil seal |
| (8) Oil pump housing | (19) O-ring |
| (9) Nipple | (20) Drive pinion collar |
| (10) Air breather hose | (21) Lock nut |
| (11) Gasket | |

Tightening torque: N-m (kg-m, ft-lb)

T1: 7±1 (0.7±0.1, 5.1±0.7)

T2: 13±1 (1.3±0.1, 9.4±0.7)

T3: 18±5 (1.8±0.5, 13.0±3.6)

T4: 25±2 (2.5±0.2, 18.1±1.4)

T5: 39±3 (4.0±0.3, 28.9±2.2)

T6: 41±3 (4.2±0.3, 30.4±2.2)

T7: 121±5 (12.3±0.5, 89.0±3.6)