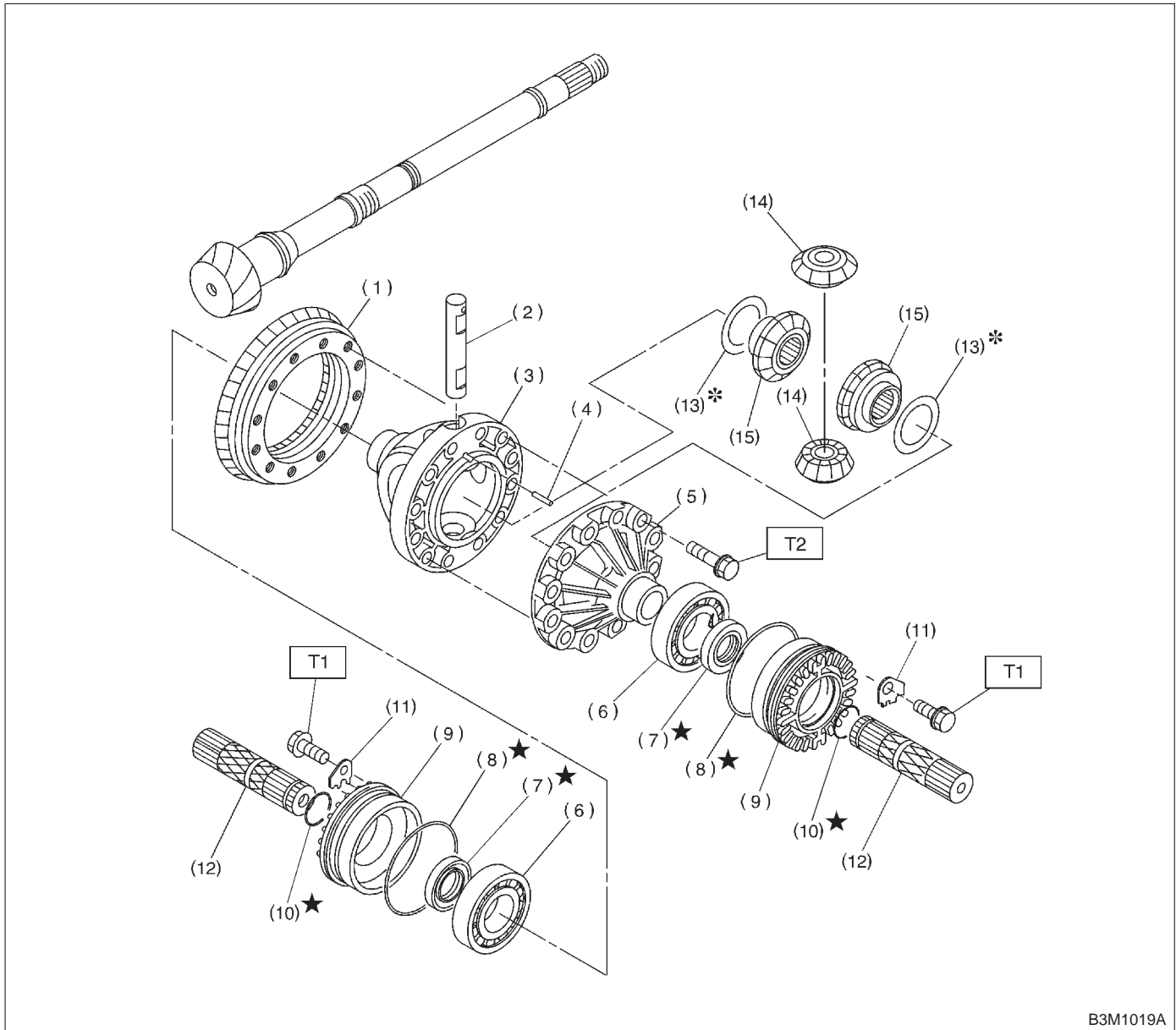


9. Differential Case



B3M1019A

- (1) Crown gear
- (2) Pinion shaft
- (3) Differential case (RH)
- (4) Straight pin
- (5) Differential case (LH)
- (6) Taper roller bearing
- (7) Oil seal
- (8) O-ring
- (9) Differential side retainer
- (10) Circlip
- (11) Lock plate
- (12) Axle shaft

- (13) Washer
- (14) Differential bevel pinion
- (15) Differential bevel gear

Tightening torque: N·m (kg·m, ft·lb)

T1: 25±2 (2.5±0.2, 18.1±1.4)

T2: 62±5 (6.3±0.5, 45.6±3.6)