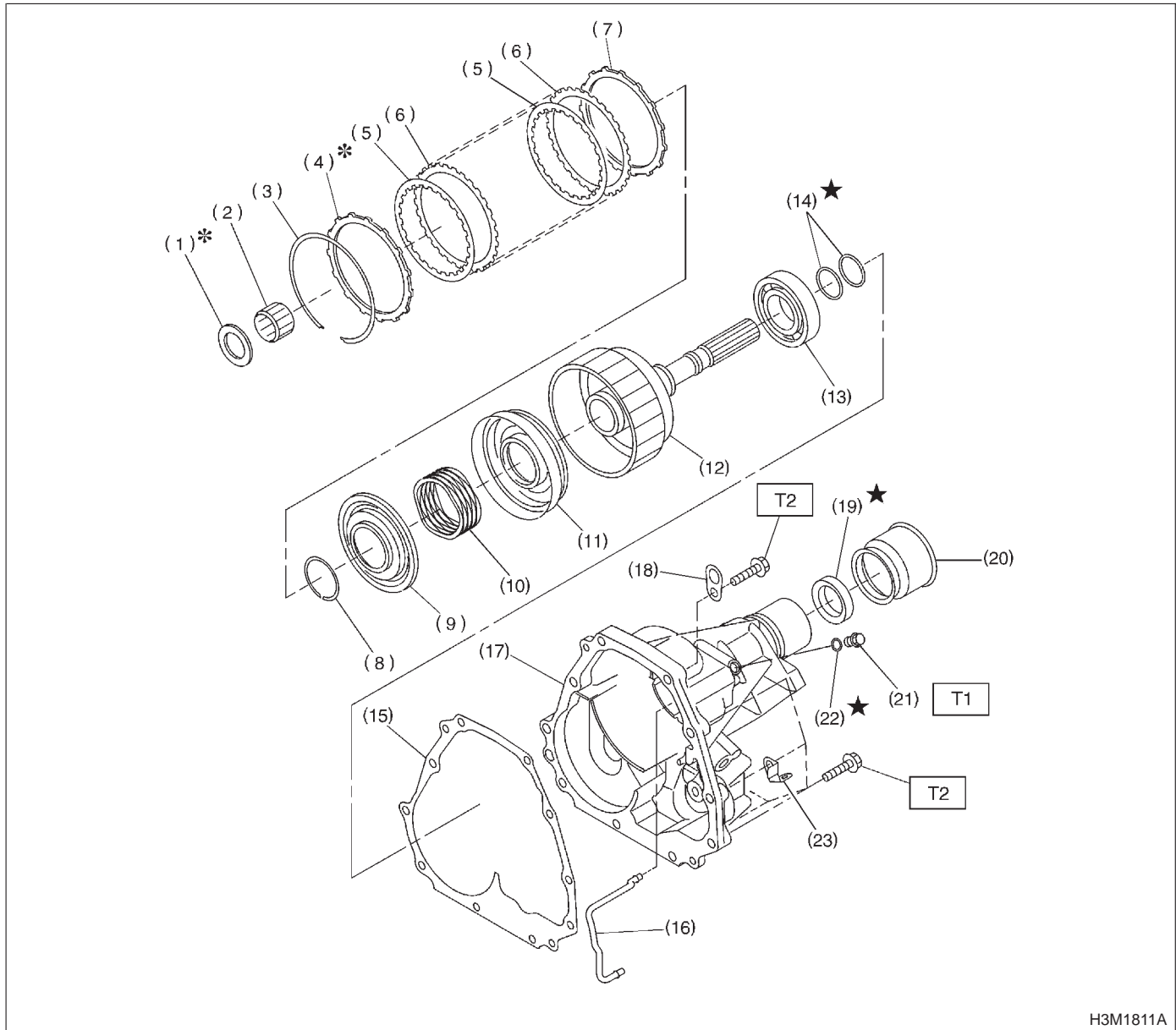


10. Transfer and Extension



- (1) Thrust needle bearing
- (2) Needle bearing
- (3) Snap ring
- (4) Pressure plate
- (5) Drive plate
- (6) Driven plate
- (7) Pressure plate
- (8) Snap ring
- (9) Transfer piston seal
- (10) Return spring

- (11) Transfer clutch piston
- (12) Rear drive shaft
- (13) Ball bearing
- (14) Seal ring
- (15) Gasket
- (16) Transfer clutch pipe
- (17) Extension case
- (18) Transmission hanger
- (19) Oil seal
- (20) Dust cover

- (21) Test plug
- (22) O-ring
- (23) Clip

Tightening torque: N-m (kg-m, ft-lb)

T1: 13±1 (1.3±0.1, 9.4±0.7)

T2: 25±2 (2.5±0.2, 18.1±1.4)