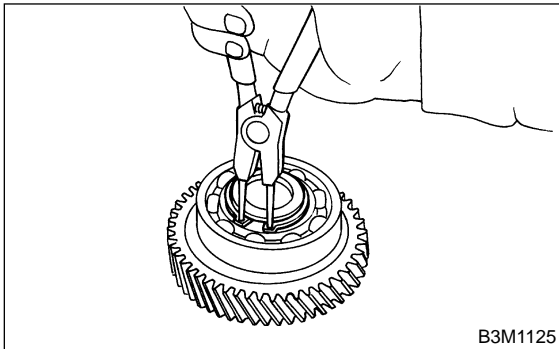


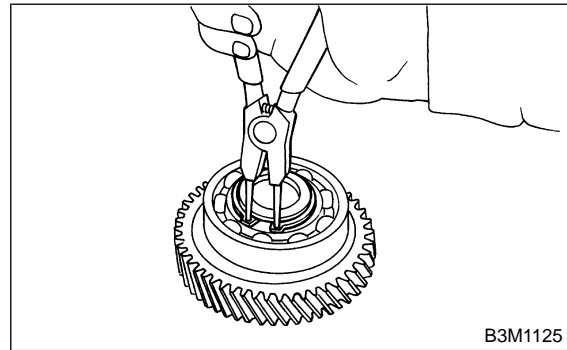
14. Reduction Driven Gear

A: DISASSEMBLY

1) Remove snap ring from reduction driven gear.

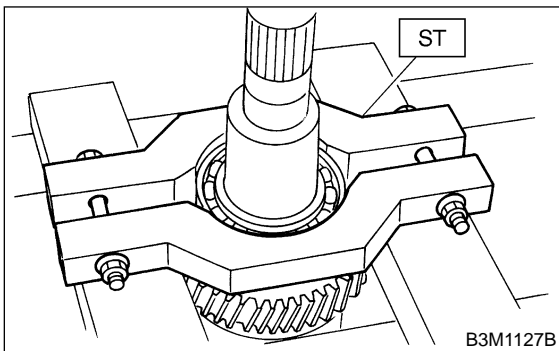


2) Install snap ring to reduction driven gear.



2) Using ST, remove ball bearing from reduction driven gear.

ST 498077600 REMOVER



B: INSPECTION

Check ball bearing and gear for dents or damage.

C: ASSEMBLY

1) Using a press, install ball bearing to reduction driven gear.

