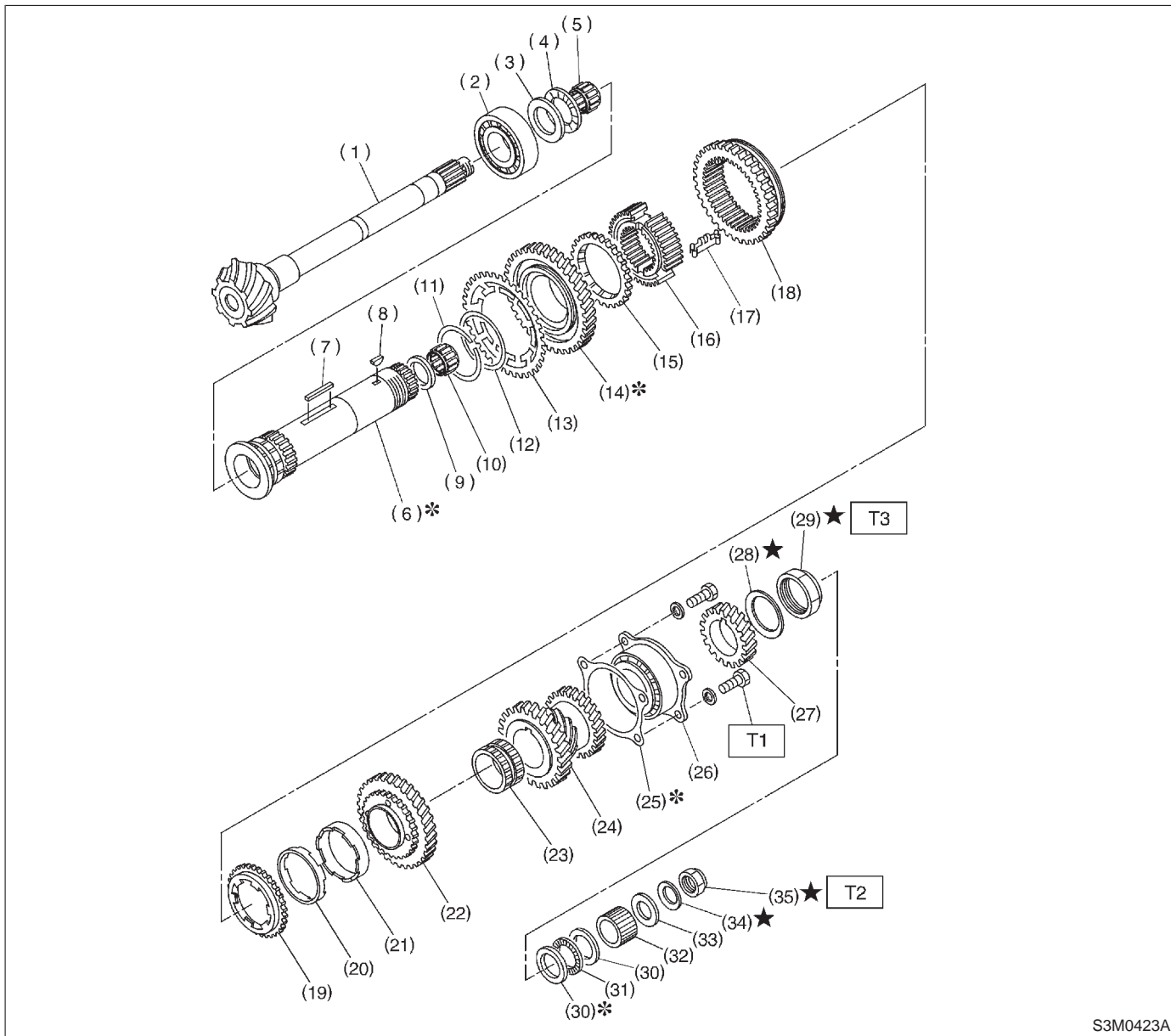


2. Drive Pinion Assembly



S3M0423A

- (1) Drive pinion shaft
- (2) Roller bearing
- (3) Washer
- (4) Thrust bearing
- (5) Needle bearing
- (6) Driven shaft
- (7) Key
- (8) Woodruff key
- (9) Drive pinion collar
- (10) Needle bearing
- (11) Snap ring (Outer)
- (12) Washer
- (13) Sub gear
- (14) 1st driven gear

- (15) Baulk ring
- (16) 1st-2nd synchronizer hub
- (17) Insert key
- (18) Reverse driven gear
- (19) Outer baulk ring
- (20) Synchro cone
- (21) Inner baulk ring
- (22) 2nd driven gear
- (23) 2nd driven gear bush
- (24) 3rd-4th driven gear
- (25) Driven pinion shim
- (26) Roller bearing
- (27) 5th driven gear
- (28) Lock washer

- (29) Lock nut
- (30) Washer
- (31) Thrust bearing
- (32) Differential bevel gear sleeve
- (33) Washer
- (34) Lock washer
- (35) Lock nut

Tightening torque: N·m (kg·m, ft·lb)

T1: 29±3 (3.0±0.3, 21.7±2.2)

T2: 118±8 (12.0±0.8, 86.8±5.8)

T3: 265±10 (27±1, 195±7)