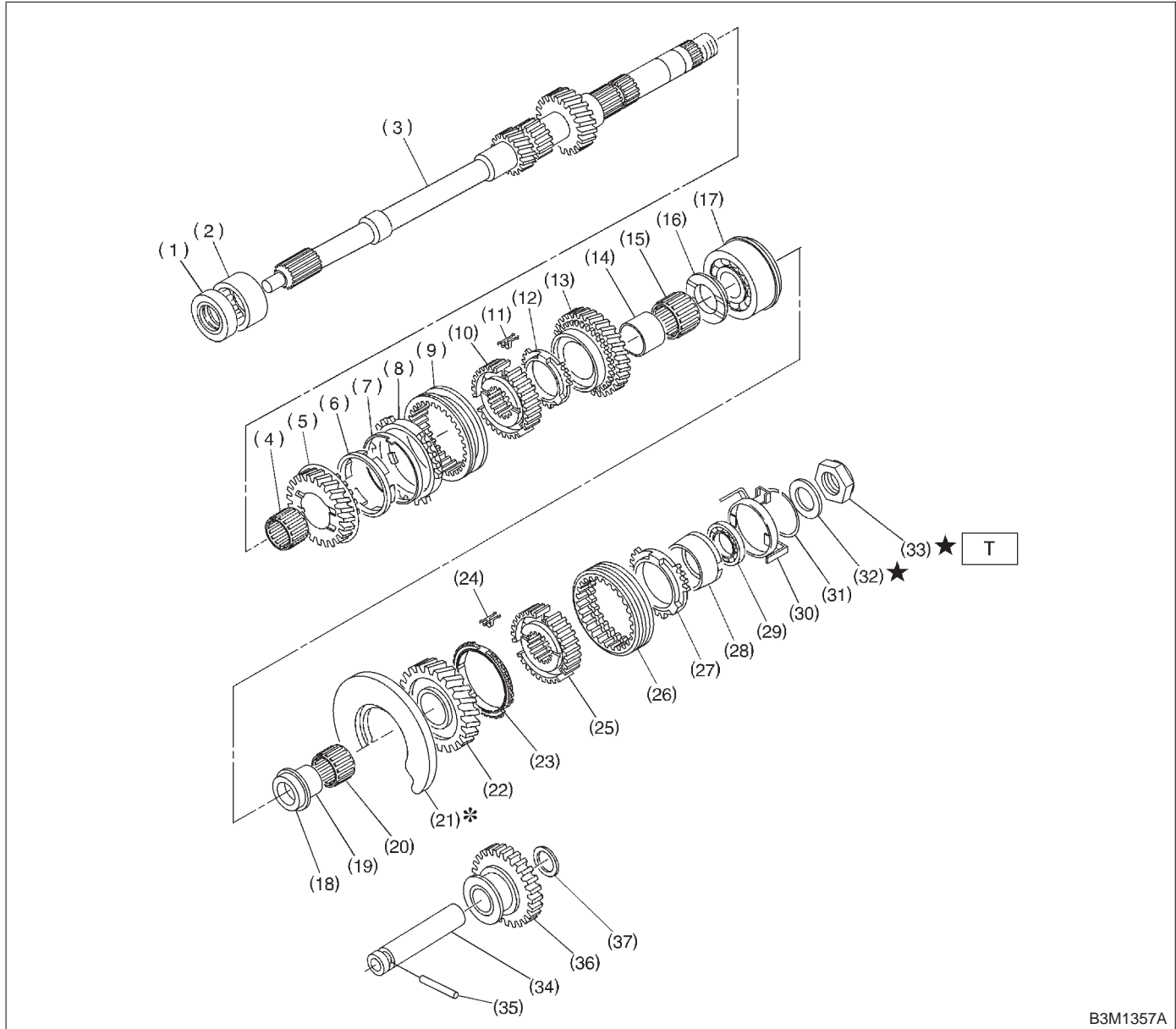


3. Main Shaft Assembly



B3M1357A

- | | | |
|------------------------------------|------------------------------------|-------------------------------|
| (1) Oil seal | (15) Needle bearing | (29) Ball bearing |
| (2) Needle bearing | (16) 4th gear thrust washer | (30) Synchro cone stopper |
| (3) Transmission main shaft | (17) Ball bearing | (31) Snap ring |
| (4) Needle bearing | (18) 5th gear thrust washer | (32) Lock washer |
| (5) 3rd drive gear | (19) 5th needle bearing race | (33) Lock nut |
| (6) Inner baulk ring | (20) Needle bearing | (34) Reverse idler gear shaft |
| (7) Synchro cone (3rd) | (21)* Main shaft rear plate | (35) Straight pin |
| (8) Outer baulk ring | (22) 5th drive gear | (36) Reverse idler gear |
| (9) Coupling sleeve (3rd-4th) | (23) 5th baulk ring | (37) Washer |
| (10) Synchronizer hub (3rd-4th) | (24) Shifting insert key (5th-Rev) | |
| (11) Shifting insert key (3rd-4th) | (25) Synchronizer hub (5th-Rev) | |
| (12) 4th baulk ring | (26) Coupling sleeve (5th-Rev) | |
| (13) 4th drive gear | (27) Rev baulk ring | |
| (14) 4th needle bearing race | (28) Synchro cone (Rev) | |

Tightening torque: N-m (kg-m, ft-lb)
T: 118±6 (12.0±0.6, 86.8±4.3)
