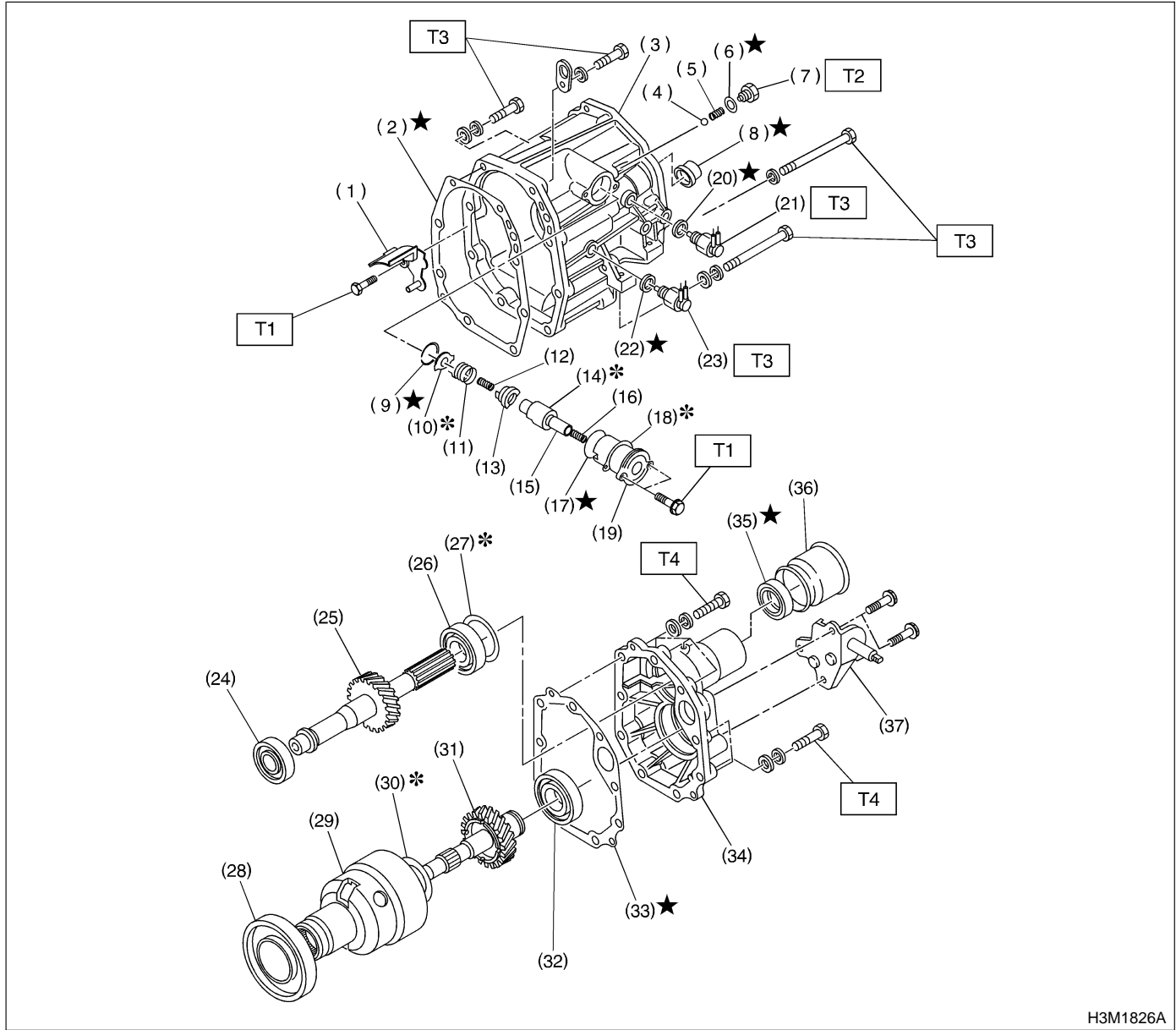


5. Transfer Case and Extension



H3M1826A

- |                            |                            |                          |
|----------------------------|----------------------------|--------------------------|
| (1) Oil guide              | (16) Return spring         | (31) Transfer drive gear |
| (2) Gasket                 | (17) O-ring                | (32) Ball bearing        |
| (3) Transfer case          | (18) Adjusting select shim | (33) Gasket              |
| (4) Ball                   | (19) Reverse check sleeve  | (34) Extension           |
| (5) Reverse accent spring  | (20) Gasket                | (35) Oil seal            |
| (6) Gasket                 | (21) Neutral switch        | (36) Dust cover          |
| (7) Plug                   | (22) Gasket                | (37) Shift bracket       |
| (8) Oil seal               | (23) Back-up light switch  |                          |
| (9) Snap ring (Inner)      | (24) Ball bearing          |                          |
| (10) Reverse check plate   | (25) Transfer driven gear  |                          |
| (11) Reverse check spring  | (26) Ball bearing          |                          |
| (12) Reverse return spring | (27) Adjusting washer      |                          |
| (13) Reverse check cam     | (28) Ball bearing          |                          |
| (14) Reverse accent shaft  | (29) Center differential   |                          |
| (15) Return spring cap     | (30) Adjusting washer      |                          |

**Tightening torque: N-m (kg-m, ft-lb)**

**T1: 6.4±0.5 (0.65±0.05, 4.7±0.4)**

**T2: 10±1 (1.0±0.1, 7.2±0.7)**

**T3: 25±2 (2.5±0.2, 18.1±1.4)**

**T4: 37±3 (3.8±0.3, 27.5±2.2)**