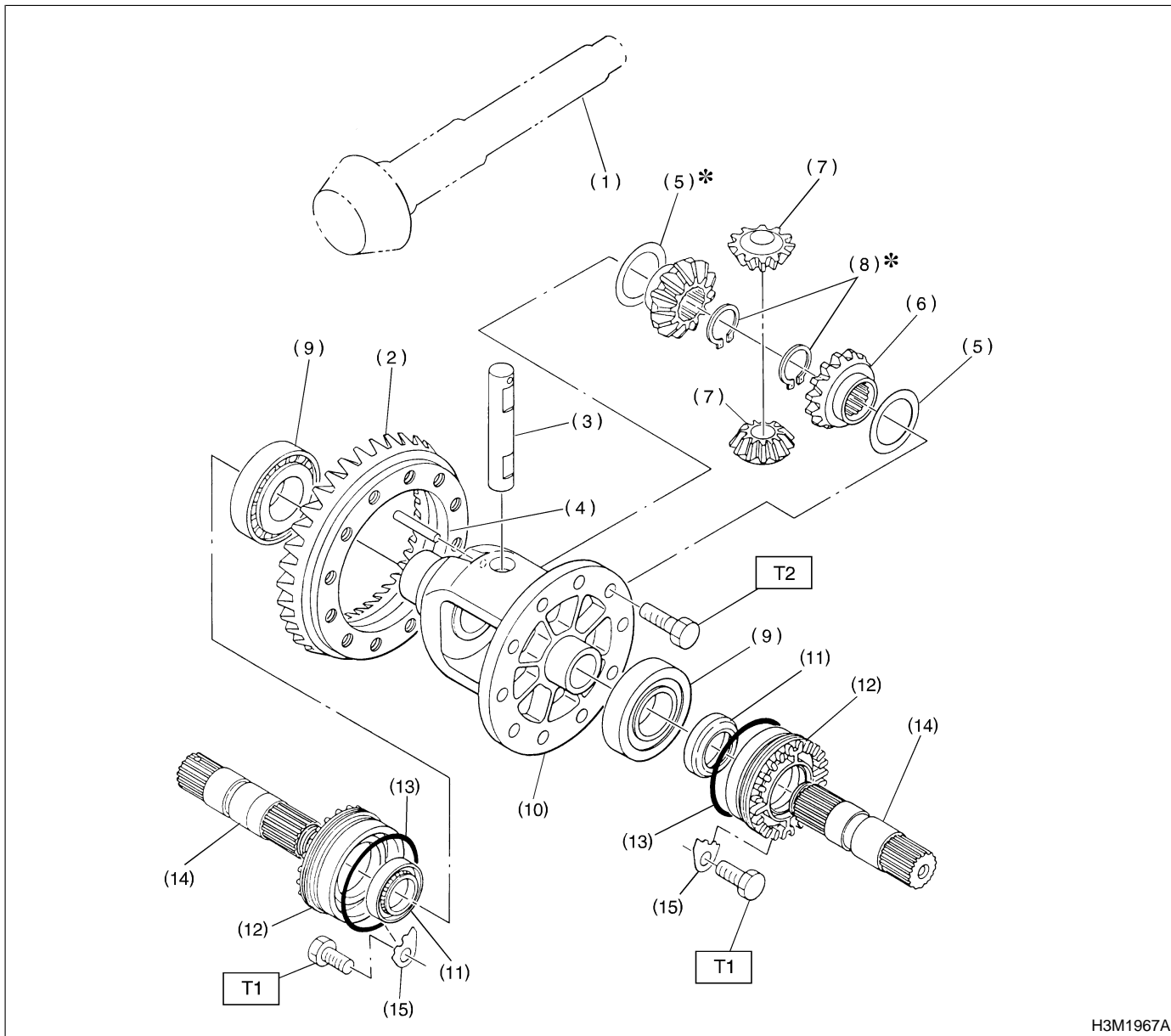


6. Front Differential



H3M1967A

- |                               |                                 |
|-------------------------------|---------------------------------|
| (1) Drive pinion shaft        | (8) Snap ring (Outer)           |
| (2) Hypoid driven gear        | (9) Roller bearing              |
| (3) Pinion shaft              | (10) Differential case          |
| (4) Straight pin              | (11) Oil seal                   |
| (5) Washer                    | (12) Differential side retainer |
| (6) Differential bevel gear   | (13) O-ring                     |
| (7) Differential bevel pinion | (14) Axle drive shaft           |

- (15) Retainer lock plate

**Tightening torque: N·m (kg·m, ft·lb)**

**T1: 25±3 (2.5±0.3, 18.1±2.2)**

**T2: 62±5 (6.3±0.5, 45.6±3.6)**