

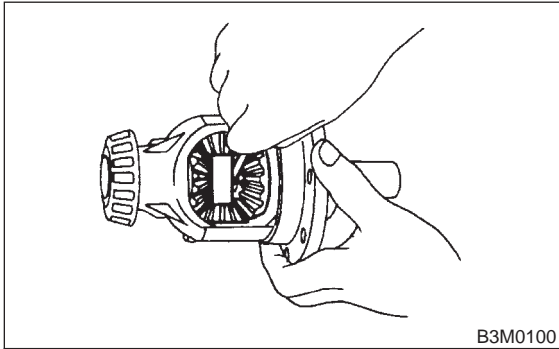
6) Position drive axle shaft in differential case and hold it with outer snap ring (28). Using a thickness gauge, measure clearance between the shaft and case is within specifications.

**NOTE:**

If it is not within specifications, replace snap ring with a suitable one.

**Clearance:**

**0 — 0.25 mm (0 — 0.0098 in)**



Snap ring (Outer-28)	
Part No.	Thickness mm (in)
805028011	1.05 (0.0413)
805028012	1.20 (0.0472)

## 7. Center Differential

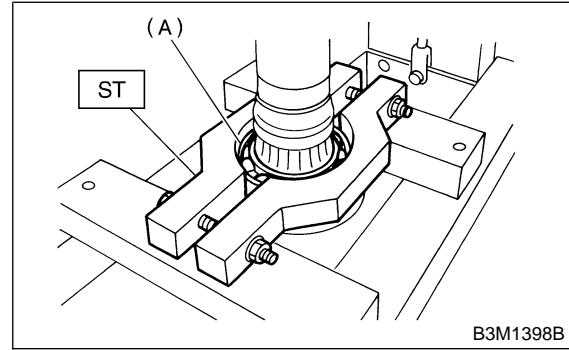
### A: DISASSEMBLY AND ASSEMBLY

1) Remove ball bearing using ST.

**CAUTION:**

**Do not reuse ball bearing.**

ST 498077300 CENTER DIFFERENTIAL BEARING REMOVER



(A) Ball bearing

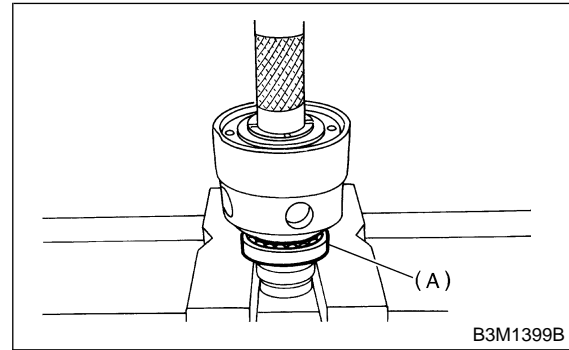
2) Install ball bearing to center differential assembly.

**CAUTION:**

**Do not apply pressure in excess of 10 kN (1 ton, 1.1 US ton, 1.0 Imp ton).**

**NOTE:**

Do not disassemble center differential because it is a non-disassemble part.



(A) Ball bearing