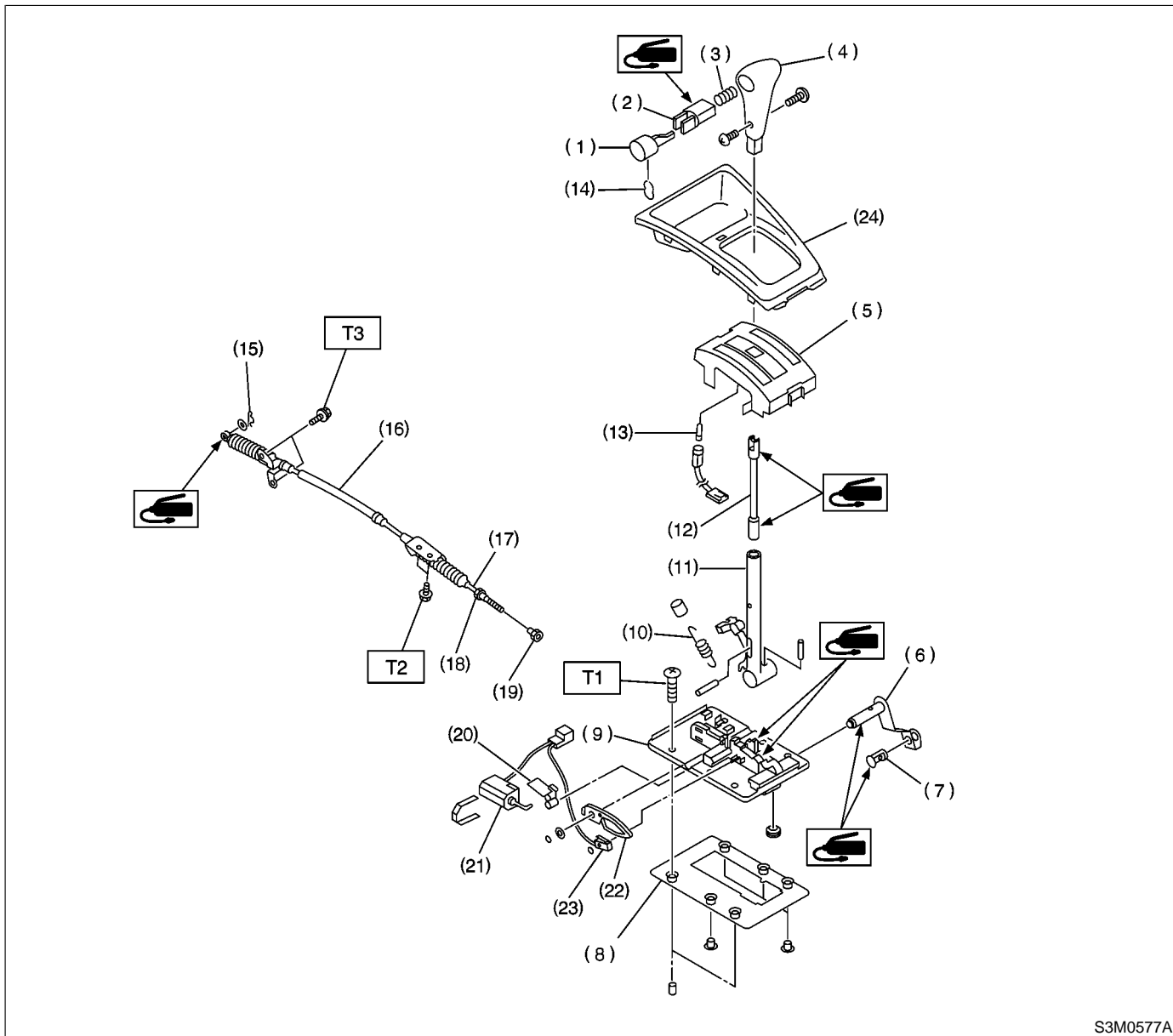


2. Select Lever



S3M0577A

- | | | |
|------------------------|---------------------------|--------------------------|
| (1) Button A | (11) Select lever upper | (21) Shift-lock solenoid |
| (2) Button B | (12) Rod | (22) Lock arm |
| (3) Spring (button) | (13) Indicator light bulb | (23) "P" position switch |
| (4) Grip | (14) Clip | (24) Front cover |
| (5) Indicator cover | (15) Snap pin | |
| (6) Select lever lower | (16) Outer cable | |
| (7) Pin | (17) Inner cable | |
| (8) Packing | (18) Nut (front) | |
| (9) Plate | (19) Nut (rear) | |
| (10) Detent spring | (20) Lock plate | |

Tightening torque: N·m (kg·m, ft·lb)

T1: 4.5±1.5 (0.46±0.15, 3.3±1.1)

T2: 18±5 (1.8±0.5, 13.0±3.6)

T3: 32±10 (3.3±1.0, 24±7)