

**BODY SECTION**

This service manual has been prepared to provide SUBARU service personnel with the necessary information and data for the correct maintenance and repair of SUBARU vehicles.

This manual includes the procedures for maintenance, disassembling, reassembling, inspection and adjustment of components and diagnostics for guidance of experienced mechanics.

Please peruse and utilize this manual fully to ensure complete repair work for satisfying our customers by keeping their vehicle in optimum condition. When replacement of parts during repair work is needed, be sure to use SUBARU genuine parts.

All information, illustration and specifications contained in this manual are based on the latest product information available at the time of publication approval.

FUJI HEAVY INDUSTRIES LTD.

**HVAC SYSTEM  
(HEATER, VENTILATOR AND A/C) AC**

**AIRBAG SYSTEM AB**

**SEAT BELT SYSTEM SB**

**LIGHTING SYSTEM LI**

**WIPER AND WASHER SYSTEMS WW**

**ENTERTAINMENT ET**

**COMMUNICATION SYSTEM COM**

**GLASS/WINDOWS/MIRRORS GW**

**BODY STRUCTURE BS**

**INSTRUMENTATION/DRIVER INFO IDI**

**SEATS SE**

**SECURITY AND LOCKS SL**

**SUNROOF/T-TOP/CONVERTIBLE TOP  
(SUNROOF) SR**

**EXTERIOR/INTERIOR TRIM EI**

**EXTERIOR BODY PANELS EB**

**CRUISE CONTROL SYSTEM CC**

# AIRBAG SYSTEM

# AB

---

	<b>Page</b>
1. General Description.....	2
2. Airbag Connector .....	8
3. Inspection Locations After a Collision .....	10
4. Driver's Airbag Module .....	12
5. Passenger's Airbag Module .....	14
6. Side Airbag Module .....	15
7. Main Harness .....	16
8. Side Airbag Harness .....	17
9. Airbag Control Module .....	18
10. Side Airbag Sensor .....	19
11. Roll Connector.....	20
12. Front Sub Sensor.....	21
13. Front Sub Sensor Harness .....	22
14. Disposal of Airbag Module (Deploying While Installed in Vehicle) .....	23
15. Disposal of Airbag Module (Deploying After Removal from Vehicle) .....	27

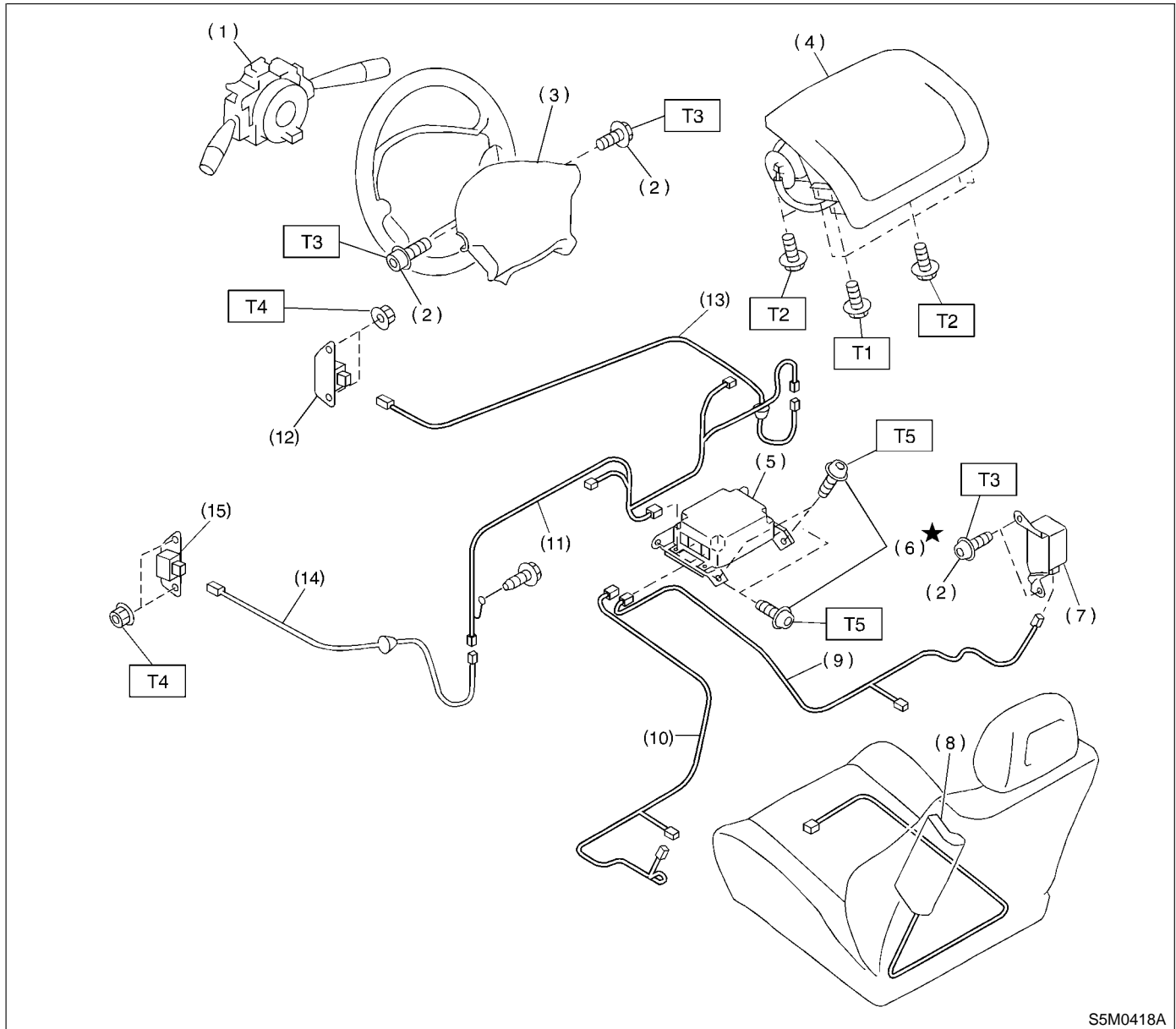
# GENERAL DESCRIPTION

Airbag System

## 1. General Description S802001

### A: COMPONENT S802001A05

#### 1. SRS AIRBAG S802001A0501



S5M0418A

- (1) Combination switch ASSY with roll connector
- (2) TORX® bolt T30
- (3) Airbag module ASSY (Driver)
- (4) Airbag module ASSY (Passenger)
- (5) Airbag control module
- (6) TORX® bolt T40
- (7) Side airbag sensor

- (8) Side airbag module
- (9) Side airbag harness (RH)
- (10) Side airbag harness (LH)
- (11) Airbag main harness
- (12) Front sub sensor (RH)
- (13) Front sub sensor harness (RH)
- (14) Front sub sensor harness (LH)
- (15) Front sub sensor (LH)

#### **Tightening torque: N·m (kgf·m, ft·lb)**

**T1: 4.4 (0.45, 3.3)**

**T2: 7.4 (0.75, 5.4)**

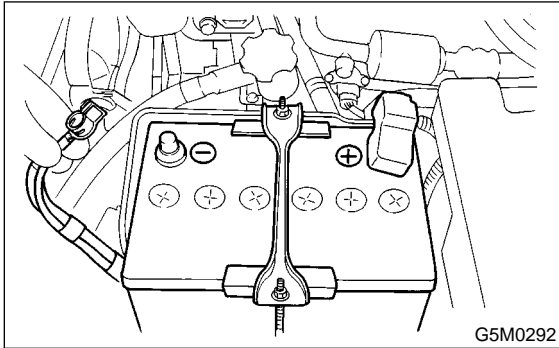
**T3: 10 (1.0, 7.2)**

**T4: 20 (2.0, 14.5)**

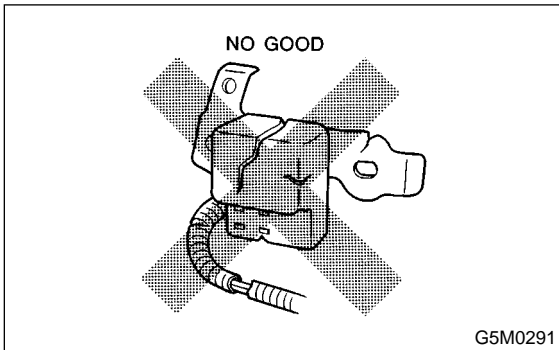
**T5: 25 (2.5, 18.1)**

## B: CAUTION S802001A03

- When servicing a vehicle, be sure to turn the ignition switch OFF, disconnect the ground cable from the battery, and wait for more than 20 seconds before starting work.
- The airbag system is fitted with a backup power source. If the airbag system is serviced within 20 seconds after the ground cable is disconnected, it may inflate.

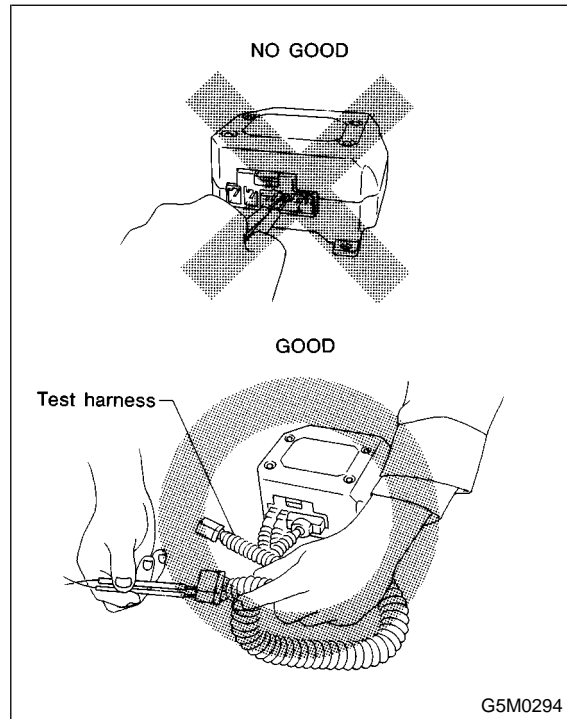
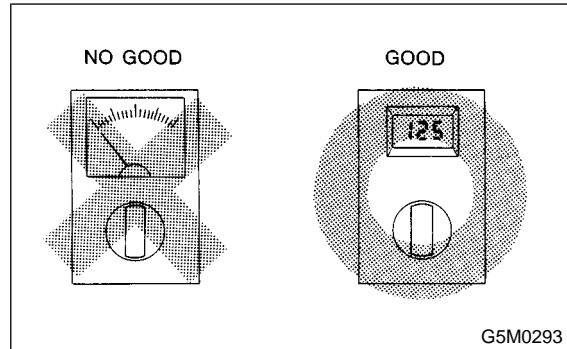


- If sensors, airbag module, airbag control module and harness are deformed or damaged, replace them with new genuine parts.

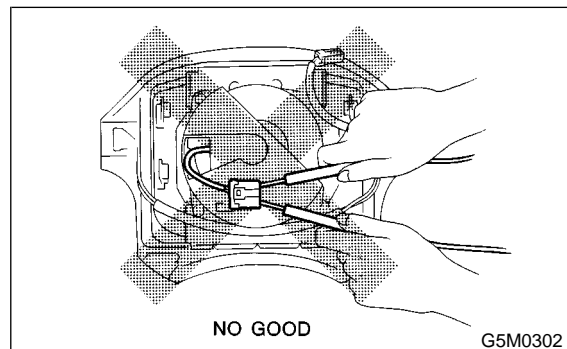


- Do not use the airbag parts from other vehicles. Always replace defective parts with new parts.
- Never re-use a deployed airbag.
- When checking the system, be sure to use a digital circuit tester. Use of an analog circuit tester may cause the airbag to activate erroneously.

- When checking, use a test harness. Do not directly apply the tester probe to any connector terminal of the airbag.



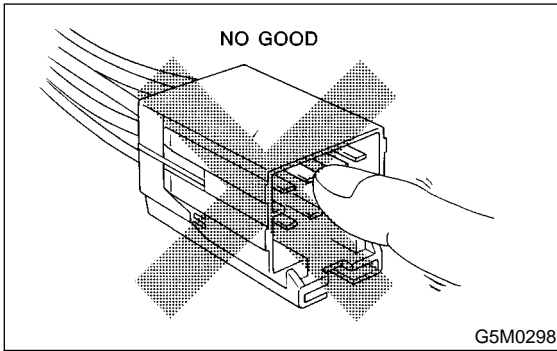
- Do not check continuity of the driver, passenger and side airbag modules.



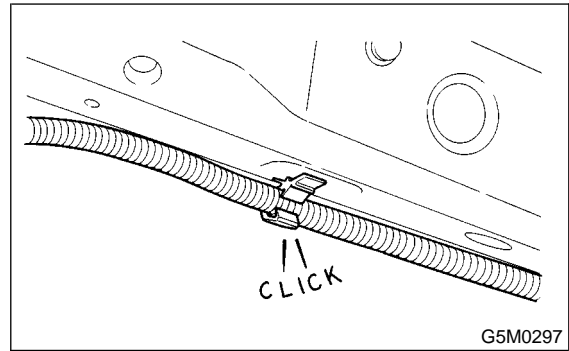
# GENERAL DESCRIPTION

## Airbag System

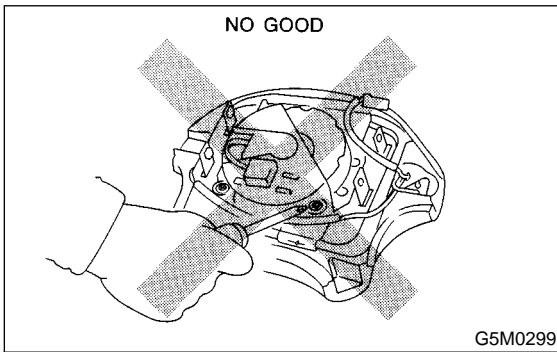
- Do not allow water or oil to come in contact with the connector terminals. Do not touch the connector terminals.



- Install the wire harness securely with the specified clips to avoid interference or tangled up with other parts.



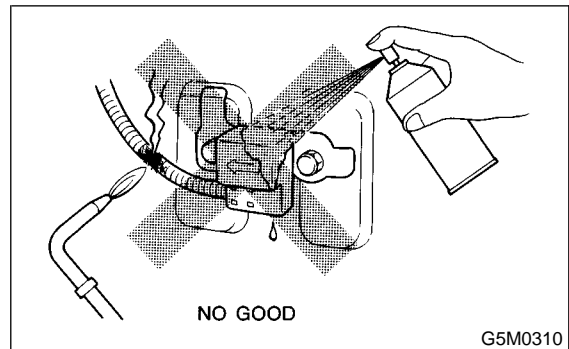
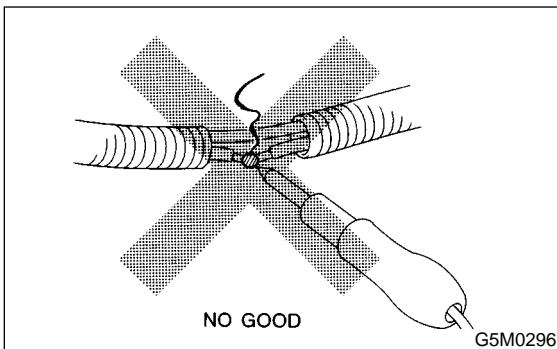
- Either of the airbag modules for driver, passenger or side, must not be disassembled.



- When painting or performing sheet metal work on the front part of the vehicle, including the front wheel apron, front fender, and front side frame, remove the front sub sensors and wire harness of the airbag system.

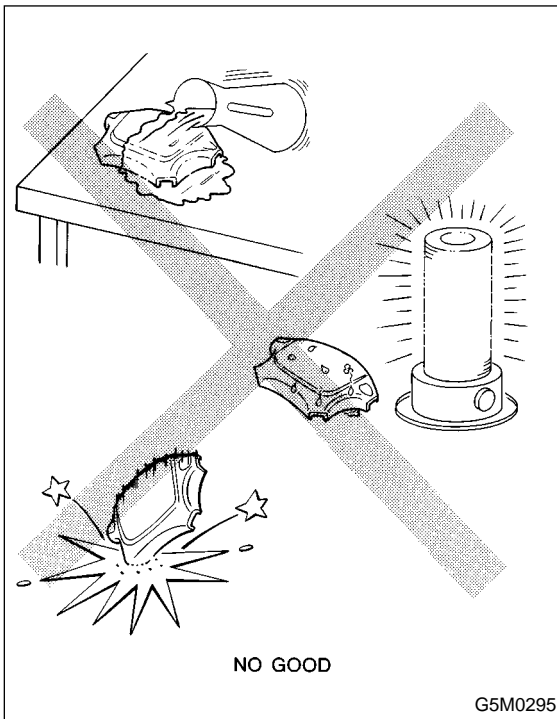
- When painting or performing sheet metal work on the side of the vehicle, including the side sill, center pillar, and front and rear doors, remove the side airbag sensors and wire harness of the airbag system.

- If any damage, opening, or rust is found on the airbag system wire harness, do not attempt to repair using soldering equipment. Be sure to replace the faulty harness with a new genuine part.

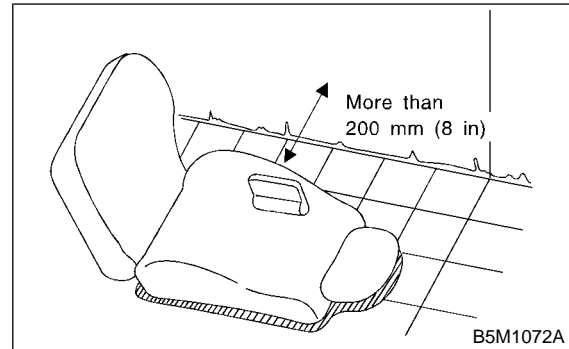


# GENERAL DESCRIPTION

- Do not drop the airbag modulator parts, subject them to high temperature over 93°C (199°F), or let water, oil, or grease get on them; otherwise, the internal parts may be damaged and reliability greatly lowered.



- The removed front seat with the airbag module must be kept at least 200 mm (8 in) away from walls and other objects.



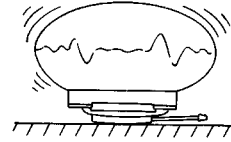
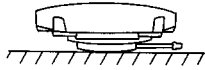
- When storing a removed airbag module, do not place any objects on it or pile airbag modules on top of each other. If the airbag inflates for some reason when it is placed with its pad side facing downward or under any object, a serious accident may result.

# GENERAL DESCRIPTION

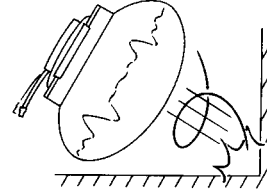
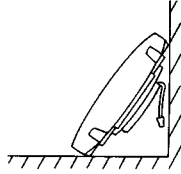
## Airbag System

Driver side

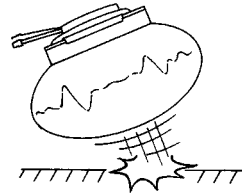
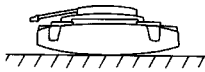
GOOD



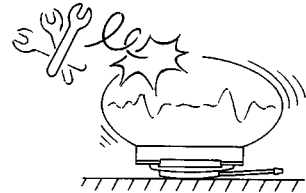
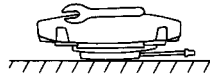
NO GOOD



NO GOOD

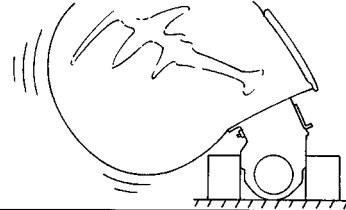
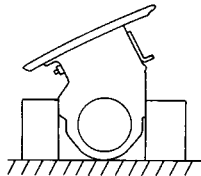


NO GOOD

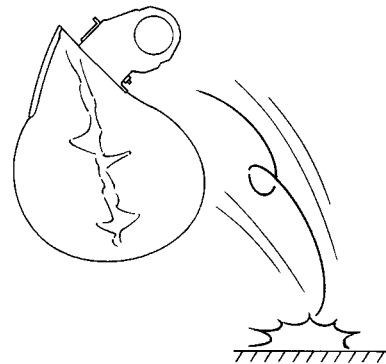
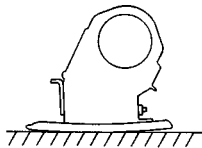


Passenger side

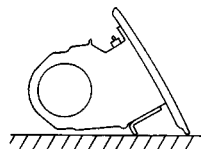
GOOD



NO GOOD



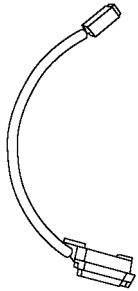
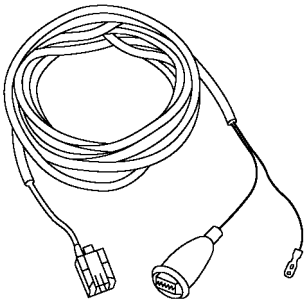
NO GOOD



G5M0604

## C: PREPARATION TOOL S802001A17

### 1. SPECIAL TOOLS S801001A1703

ILLUSTRATION	TOOL NUMBER	DESCRIPTION	REMARKS
 B5M1114	98299FC030	DEPLOYMENT ADAPTER A	<ul style="list-style-type: none"> <li>● Used for deploying the airbag module.</li> <li>● Used with DEPLOYMENT TOOL (98299PA030).</li> </ul>
 B5M1115	98299PA030	DEPLOYMENT TOOL	<ul style="list-style-type: none"> <li>● Used for deploying the airbag module.</li> <li>● Used with DEPLOYMENT ADAPTER A (98299FC030).</li> </ul>

### 2. GENERAL TOOL S802001A1701

TOOL NAME	REMARKS
TORX® T30	Used for removal/installation of drivers airbag module
TORX® T40 (Tamper resistant type)	Used for removal/installation of airbag control module



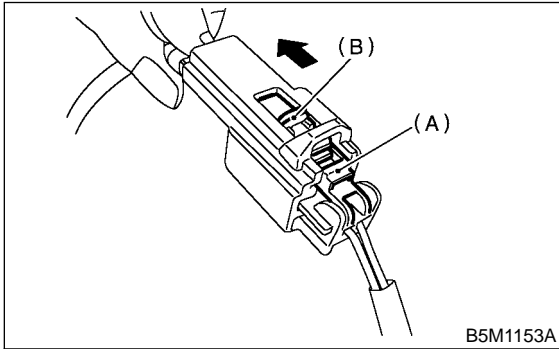
## 2. Airbag Connector S802659

### A: OPERATION S802659A16

#### 1. DRIVER'S AIRBAG, PASSENGER'S AIRBAG, SIDE AIRBAG S802659A1605

##### ● How to disconnect:

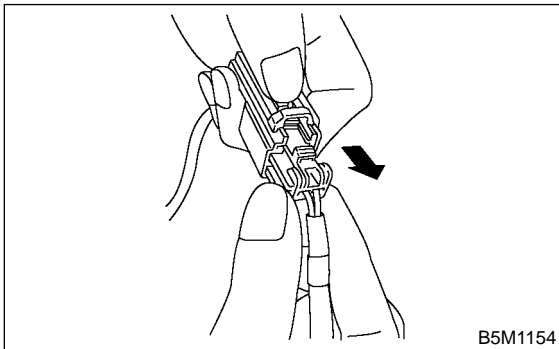
- 1) Push lock arm (A).
- 2) With lock arm (A) pushed in, move slide lock (B) in the direction of the arrow.



- 3) With slide lock (B) pulled, remove lock arm (A) to its original position, and then pull in the direction of the arrow and separate the connector.

##### CAUTION:

When pulling, be sure to hold onto the connector and not the wire.

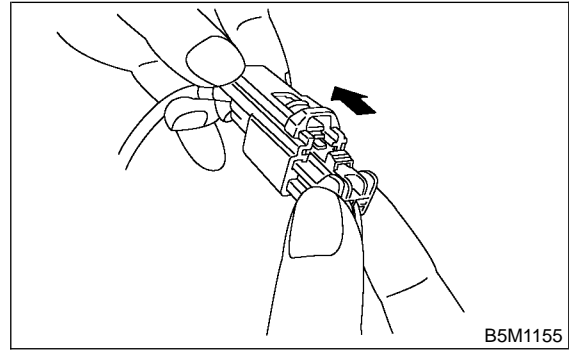


##### ● How to connect:

Holding the connector, and push it in carefully until a connecting sound is heard.

##### CAUTION:

Be sure to insert the connector in until it locks. Then pull on it gently to make sure that it is locked.



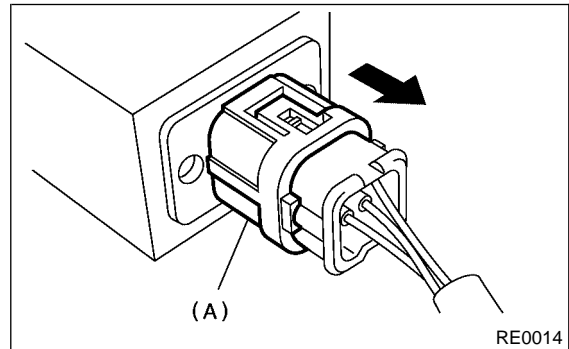
#### 2. FRONT SUB-SENSOR, SIDE AIRBAG SENSOR S802659A1603

##### ● How to disconnect:

- 1) Holding outer part (A), pull it in the direction of the arrow.

##### CAUTION:

When pulling, be sure to hold onto the connector and not the wire.

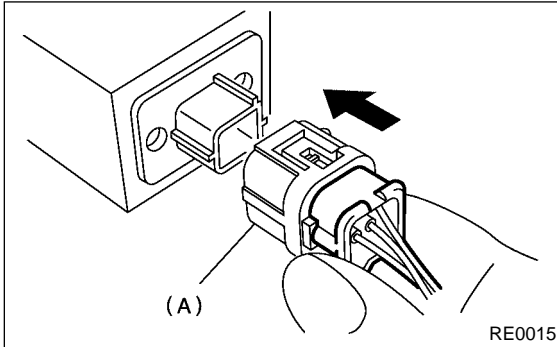


- **How to connect:**

Holding the connector, and push it in carefully until a connecting sound is heard.

**CAUTION:**

- Outer (A) moves back, and so do not put your hand on the outer part.
- Be sure to insert the connector in until it locks. Then pull on it gently to make sure that it is locked.



# INSPECTION LOCATIONS AFTER A COLLISION

## 3. Inspection Locations After a Collision SB02306

### A: INSPECTION SB02306A10

If the vehicle is involved in a collision on any side, even if it is a slight collision, be sure to check the following system parts.

#### 1. AIRBAG MODULE (DRIVER) SB02306A1001

1) Check for the following, and replace damaged parts with new parts.

- Airbag module is cracked or deformed.
- Harness and/or connector is cracked, deformed or open. Lead wire is exposed.

2) When installing a new driver's airbag module, check the following. If necessary, install a new airbag module and steering wheel.

- The steering wheel is in the way, making it difficult to install the airbag module.
- The clearance between the driver's airbag module and steering wheel is not constant.
- When steering wheel deformation in axial and radial directions exceed limits.

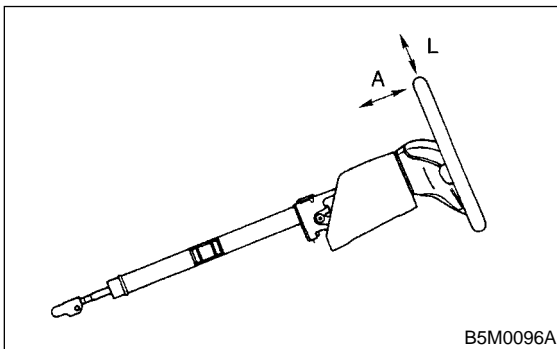
#### **Deformation limit:**

##### **Axial direction play A**

**Less than 6 mm (0.24 in)**

##### **Radial direction play L**

**Less than 7 mm (0.28 in)**



#### 2. AIRBAG MODULE (PASSENGER) SB02306A1002

Check for the following, and replace damaged parts with new parts.

- Airbag module is cracked or deformed.
- Harness and/or connector is cracked, deformed or open. Lead wire is exposed.
- Mounting bracket is cracked or deformed.

#### 3. AIRBAG MODULE (SIDE) SB02306A1003

Check for the following, and replace damaged parts with new parts.

- Front seat is damaged or deformed.
- Harness and/or connector is cracked, deformed or open.
- Lead wire is exposed.

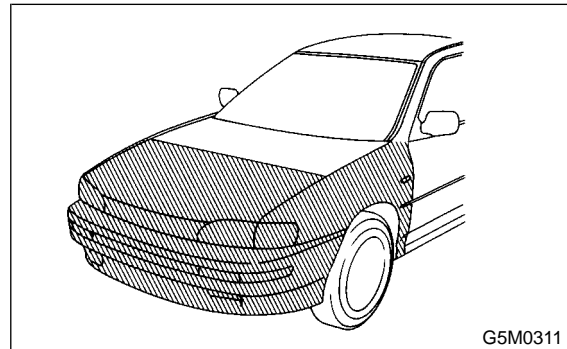
#### 4. AIRBAG CONTROL MODULE SB02306A1004

Check for the following, and replace damaged parts with new parts.

- Control module is cracked or deformed.
- Mounting bracket is cracked or deformed.
- Connector is scratched or deformed.
- Airbag is deployed.
- Side airbag is deployed.

#### 5. FRONT SUB SENSOR SB02306A1005

If the front section of vehicle as shown in the figure is damaged:



Check for the following, and replace damaged parts with new parts.

- Front sub sensor is cracked or deformed.
- Mounting bracket is cracked or deformed.
- Connector is scratched or cracked.
- Airbag is deployed.

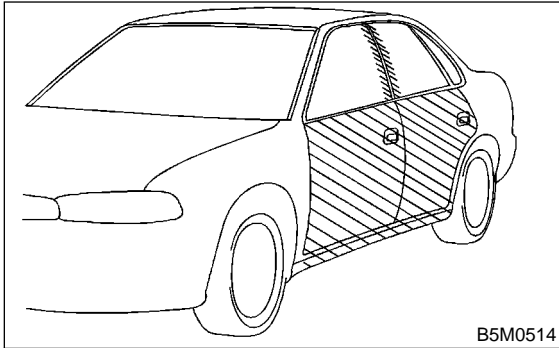
#### 6. FRONT SUB SENSOR HARNESS SB02306A1006

Check for the following, and replace damaged parts with new parts.

- Harness is open, lead wire is exposed, and corrugated tube is noticeably cracked.
- Connector is scratched or cracked.

## 7. SIDE AIRBAG SENSOR S802306A1007

If the side section of vehicle as shown in the figure is damaged:



Check for the following, and replace damaged parts with new parts.

- Side airbag sensor is cracked or deformed.
- Mounting bracket is cracked or deformed.
- Connector is scratched or cracked.
- Side airbag is deployed. (operating side)

## 8. SIDE AIRBAG SENSOR HARNESS S802306A1008

Check for the following, and replace damaged parts with new parts.

- Harness is open, lead wire is exposed, and corrugated tube is noticeably cracked.
- Connector is scratched or cracked.

## 9. MAIN HARNESS S802306A1009

Check for the following, and replace damaged parts with new parts.

- Harness is open, lead wire is exposed, and corrugated tube is noticeably cracked.
- Connector is scratched or cracked.

## 10. ROLL CONNECTOR S802306A1010

Check for the following, and replace damaged parts with new parts.

- Combination switch or steering roll connector is cracked or deformed.

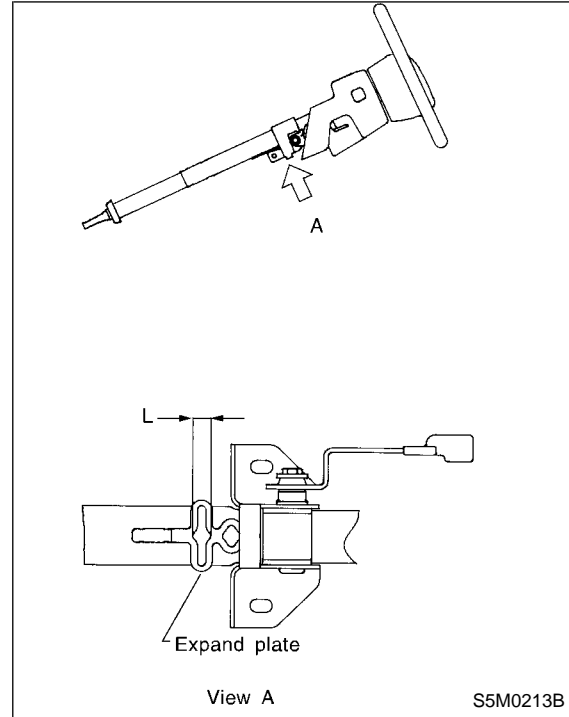
## 11. STEERING SHAFT S802306A1011

Check for the following, and replace damaged parts with new parts.

The clearance between capsule (A) and tip of column bracket (B) on steering column upper side should be within specifications.

### Specifications:

**Clearance of expand plate: L**  
**More than 15 mm (0.59 in)**



If necessary, replace them with new parts.

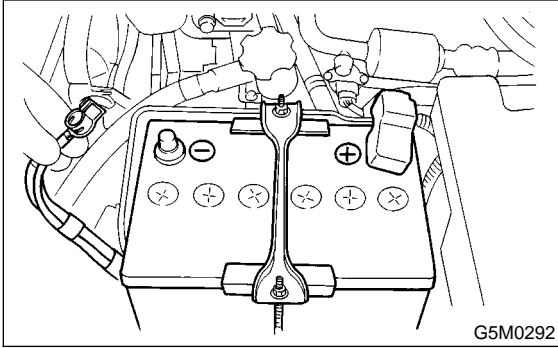
# DRIVER'S AIRBAG MODULE

Airbag System

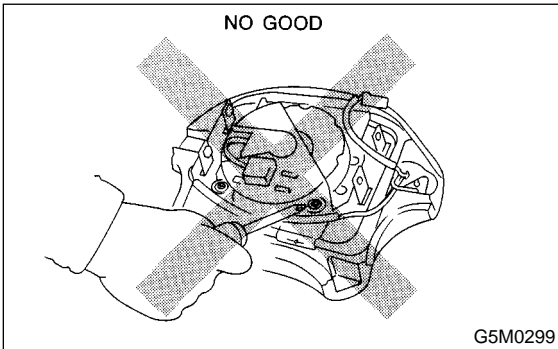
## 4. Driver's Airbag Module SB02307

### A: CAUTION SB02307A03

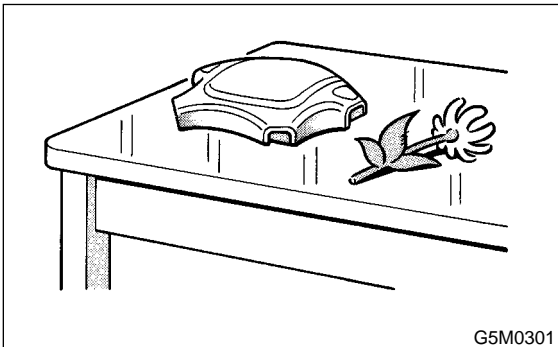
When disconnecting and connecting the airbag connector, be sure to turn the ignition switch OFF, disconnect the ground cable from the battery, and wait for more than 20 seconds before starting work.



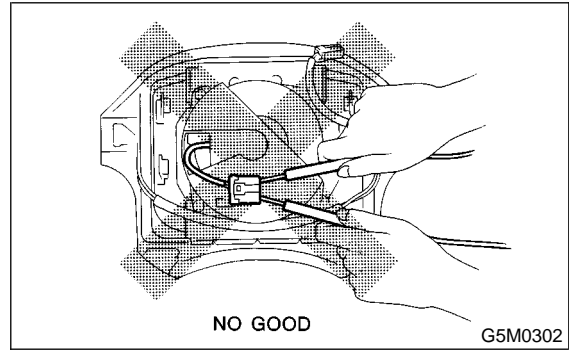
The airbag module (driver, passenger, and side) must not be disassembled. The airbag module cannot be used again once inflated.



After removal, keep the airbag module with the pad facing upward on a dry, clean, and flat surface away from heat and light sources, and moisture and dust.



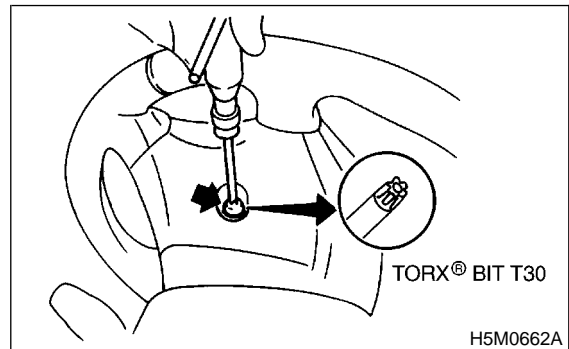
Do not check continuity of the airbag module (driver, passenger, and side).



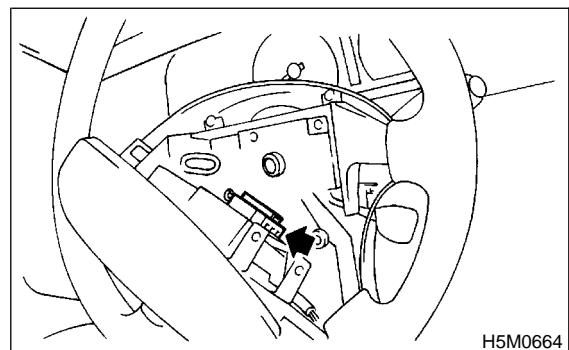
Do not use the airbag system and pretensioners on other vehicles. When replacing parts, be sure to replace them with new parts.

### B: REMOVAL SB02307A18

- 1) Position front wheels straight ahead. (After moving a vehicle more than 5 m (16 ft) with front wheels positioned straight ahead, make sure that the vehicle moves straight ahead).
- 2) Turn ignition switch OFF.
- 3) Disconnect the ground cable from the battery, and wait for at least 20 seconds before starting work.
- 4) Using TORX® BIT T30, remove two TORX® bolts on side of steering wheel.



- 5) Disconnect airbag connector on back of airbag module, and then remove airbag module.



6) Refer to "CAUTION" for handling of a removed airbag module. <Ref. to AB-3 CAUTION, General Description.>

## **C: INSTALLATION** SB02307A11

1) Install in the reverse order of removal.

### **CAUTION:**

**Do not allow harness and connectors to interfere or get tangled up with other parts.**

## **D: INSPECTION** SB02307A10

Check for the following, and replace damaged parts with new parts.

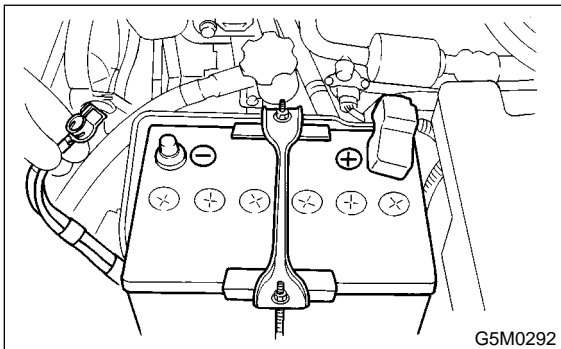
- Airbag module, harness, connector, and mounting bracket are damaged.

## 5. Passenger's Airbag Module

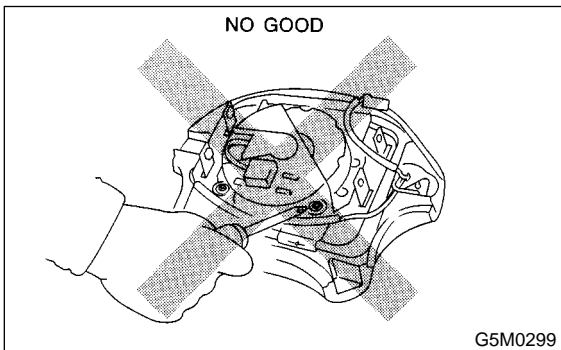
S802308

### A: CAUTION S802308A03

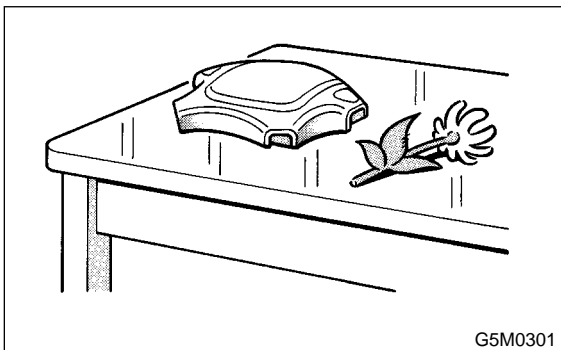
When disconnecting and connecting the airbag connector, be sure to turn the ignition switch OFF, disconnect the ground cable from the battery, and wait for more than 20 seconds before starting work.



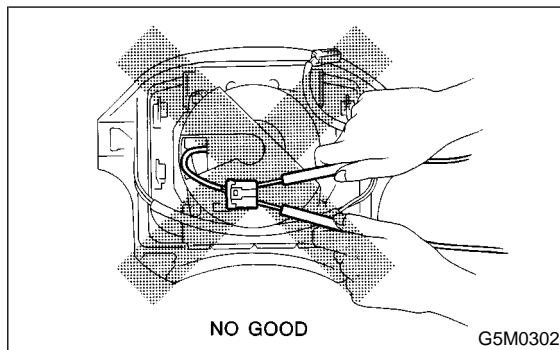
The airbag module (driver, passenger, and side) must not be disassembled. The airbag module cannot be used again once inflated.



After removal, keep the airbag module with the pad facing upward on a dry, clean, and flat surface away from heat and light sources, and moisture and dust.

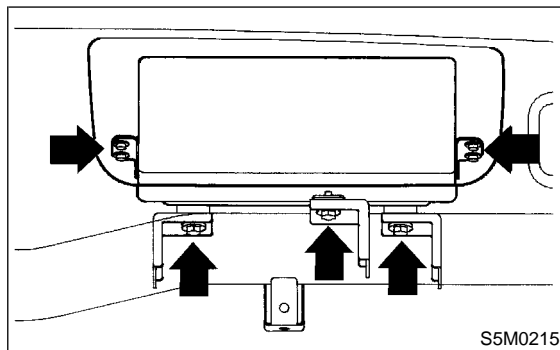


Do not check continuity of the airbag module (driver, passenger, and side) with airbag removed from the vehicle.



### B: REMOVAL S802308A18

- 1) Turn ignition switch OFF.
- 2) Disconnect the ground cable from the battery, and wait for at least 20 seconds before starting work.
- 3) Remove glove box. <Ref. to EI-28 REMOVAL, Glove Box.>
- 4) Detach airbag connector from support beam bracket, and then disconnect airbag connector.
- 5) Remove seven bolts, and then carefully remove airbag module.



- 6) Refer to "CAUTION" for handling of a removed airbag module. <Ref. to AB-3 CAUTION, General Description.>

### C: INSTALLATION S802308A11

Install in the reverse order of removal.

**CAUTION:**  
Do not allow harness and connectors to interfere or get tangled up with other parts.

### D: INSPECTION S802308A10

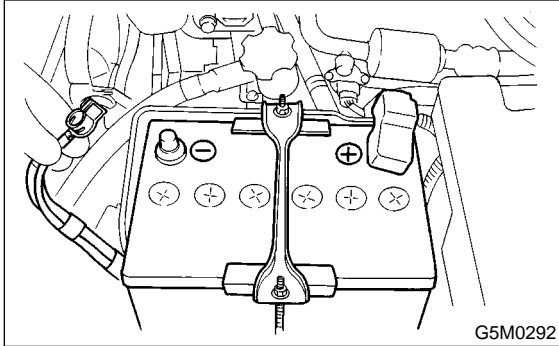
Check for the following, and replace damaged parts with new parts.

- Airbag module, harness, connector, and mounting bracket are damaged.

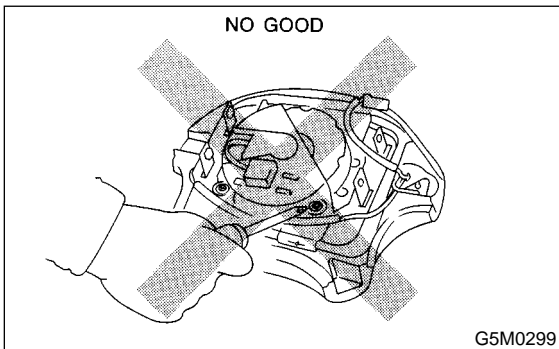
## 6. Side Airbag Module S802311

### A: CAUTION S802311A03

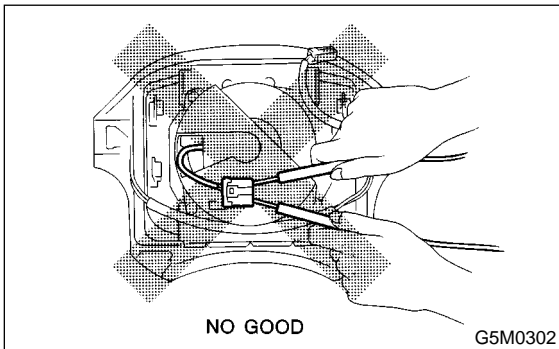
When disconnecting and connecting airbag connector, be sure to turn the ignition switch OFF, disconnect the ground cable from the battery, and wait for more than 20 seconds before starting work.



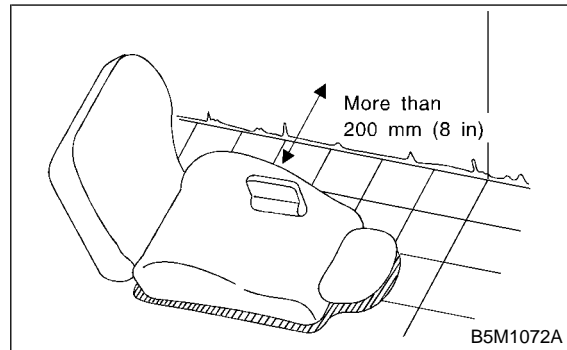
The airbag module (driver, passenger, and side) must not be disassembled. The airbag module cannot be used again once inflated.



Do not check continuity of the airbag module (driver, passenger, and side) with airbag removed from the vehicle.



The removed front seat with the airbag module must be kept at least 200 mm (8 in) away from walls and other objects.



### B: REMOVAL S802311A18

#### CAUTION:

- The side airbag module cannot be detached from the front seat assembly.
  - When replacing side airbag module, replace front seat assembly.
- <Ref. to SE-5 REMOVAL, Front Seat.>

### C: INSTALLATION S802311A11

<Ref. to SE-5 INSTALLATION, Front Seat.>

### D: INSPECTION S802311A10

Check for the following, and replace damaged parts with new parts.

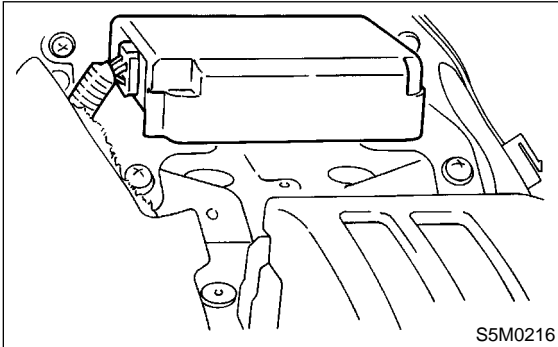
- Front seat is deformed or damaged.
- Harness and/or connector is cracked, deformed or open.
- Lead wire is exposed.



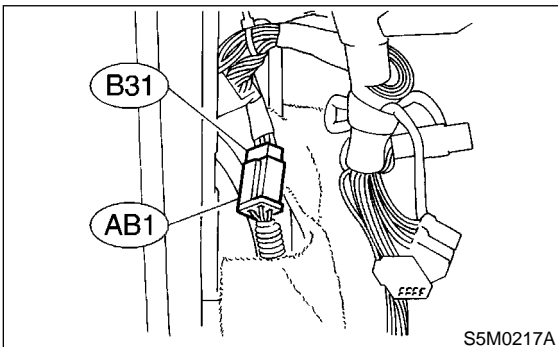
## 7. Main Harness S802310

### A: REMOVAL S802310A18

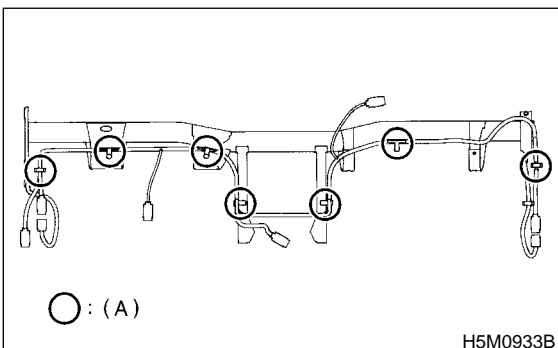
- 1) Turn ignition switch OFF.
- 2) Disconnect the ground cable from the battery and wait for at least 20 seconds before starting work.
- 3) Remove instrument panel. <Ref. to EI-31 REMOVAL, Instrument Panel Assembly.>
- 4) Disconnect connector from airbag control module.



- 5) Disconnect body harness connector (B31) from airbag connector (AB1) located at front pillar lower (driver side).



- 6) Disconnect front sub sensor connector (yellow) from airbag main harness located at front pillar (both sides).
- 7) Detach clips (A) from steering support beam, and remove main harness.



### B: INSTALLATION S802310A11

Install in the reverse order of removal.

### C: INSPECTION S802310A10

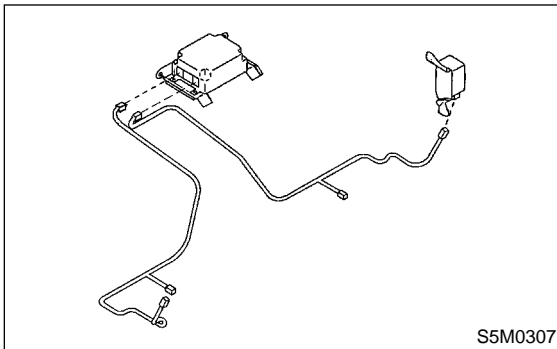
Check for the following, and replace damaged parts with new parts.

- Harness and/or connector is damaged.

## 8. Side Airbag Harness S802309

### A: REMOVAL S802309A18

- 1) Turn ignition switch OFF.
- 2) Disconnect the ground cable from the battery, and wait for at least 20 seconds before starting work.
- 3) Remove front seat. <Ref. to SE-5 REMOVAL, Front Seat.>
- 4) Remove console box. <Ref. to EI-30 REMOVAL, Console Box.>
- 5) Roll up floor mat, and then disconnect two 12-pin yellow connectors from airbag control module.
- 6) Disconnect connector from side airbag sensor. <Ref. to AB-19 REMOVAL, Side Air Bag Sensor.>
- 7) Detach clips, and then remove side airbag harness.



### B: INSTALLATION S802309A11

Install in the reverse order of removal.

### C: INSPECTION S802309A10

Check for the following, and replace damaged parts with new parts.

- Harness and/or connector is damaged.

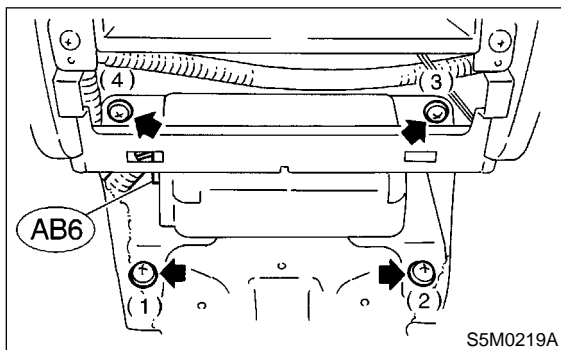
## 9. Airbag Control Module S802302

### A: REMOVAL S802302A18

**CAUTION:**

- Do not disassemble the airbag control module.
- If the airbag control module is deformed or if water damage is suspected, replace the airbag control module with a new genuine part.
- Do not drop the airbag control module.
- After removal, keep the airbag control module on a dry, clean surface away from moisture, heat, and dust.

- 1) Turn ignition switch OFF.
- 2) Disconnect the ground cable from the battery, and wait for at least 20 seconds before starting work.
- 3) Remove console box. <Ref. to EI-30 Removal, CONSOLE BOX.>
- 4) Disconnect connector from airbag control module.
- 5) Using T40<sup>®</sup> TORX bit (Tamper resistant type), remove four TORX<sup>®</sup> bolts in the order shown in the figure.



### B: INSTALLATION S802302A11

**CAUTION:**

- Use new TORX<sup>®</sup> bolts during installation.  
Install in the reverse order of removal.**

### C: INSPECTION S802302A10

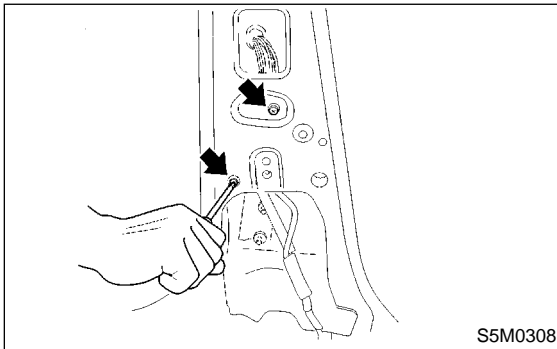
Check for the following, and replace damaged parts with new parts.

- Control module, connector, and mounting bracket are damaged.
- Airbag is deployed.
- Side airbag is deployed.

## 10. Side Airbag Sensor S802298

### A: REMOVAL S802298A18

- 1) Turn ignition switch OFF.
- 2) Disconnect the ground cable from the battery, and wait for at least 20 seconds before starting work.
- 3) Remove center pillar lower trim. <Ref. to EI-38, REMOVAL, Lower Inner Trim.>
- 4) Remove Outer Belt (FRONT). <Ref. to SB-6, OUTER BELT (FRONT), REMOVAL, Front Seat Belt.>
- 5) Remove two TORX® bolts, and then detach side airbag sensor.



### B: INSTALLATION S802298A11

#### CAUTION:

Use new TORX® nuts during installation.  
Install in the reverse order of removal.

### C: INSPECTION S802298A10

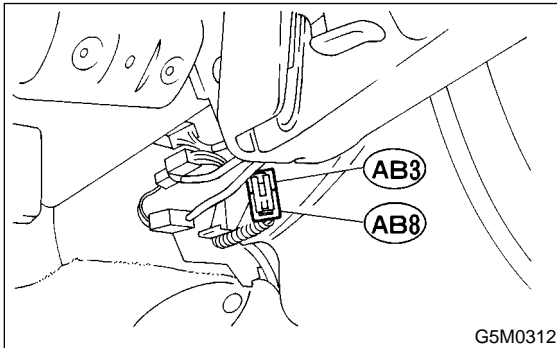
Check for the following, and replace damaged parts with new parts.

- Bracket connector for side airbag sensor is damaged.

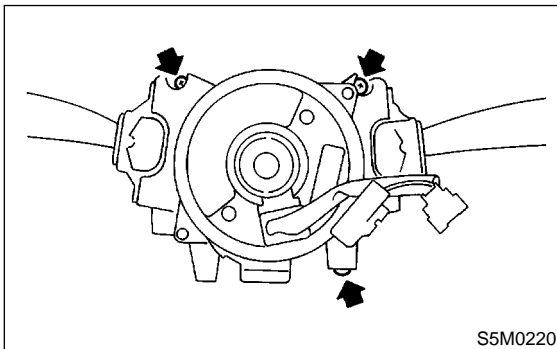
## 11. Roll Connector S802299

### A: REMOVAL S802299A18

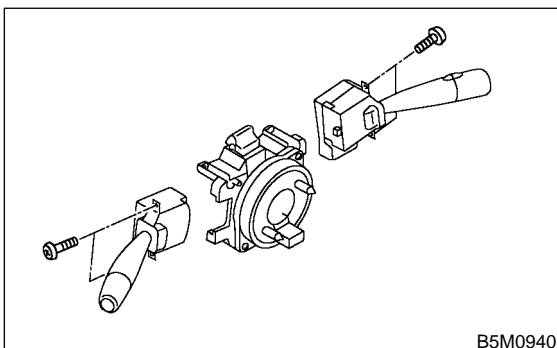
- 1) Turn ignition switch OFF.
- 2) Disconnect the ground cable from the battery, and wait for at least 20 seconds before starting work.
- 3) Remove instrument panel lower cover.
- 4) Disconnect airbag connector (AB3) and (AB8) below steering column.



- 5) Remove driver's airbag module. <Ref. to AB-12, Driver's Airbag Module.>
- 6) Remove steering wheel. <Ref. to PS-27, REMOVAL, Steering Wheel.>
- 7) Remove steering column cover.
- 8) Remove screws, and then remove combination switch assembly.



- 9) Remove lighting switch and wiper switch from roll connector.



### B: INSTALLATION S802299A11

- 1) Install combination switch assembly and steering column cover in the reverse order of removal.
- 2) Adjust centering roll connector. <Ref. to AB-20 ADJUSTMENT, Roll Connector.>
- 3) Install steering wheel and airbag module.

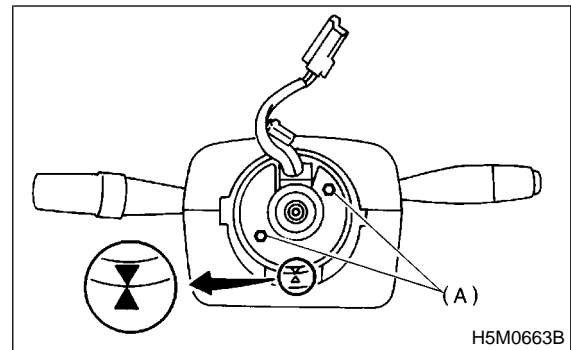
### C: INSPECTION S802299A10

Check for the following, and replace damaged parts with new parts.

- Combination switch and roll connector is cracked or deformed.

### D: ADJUSTMENT S802299A01

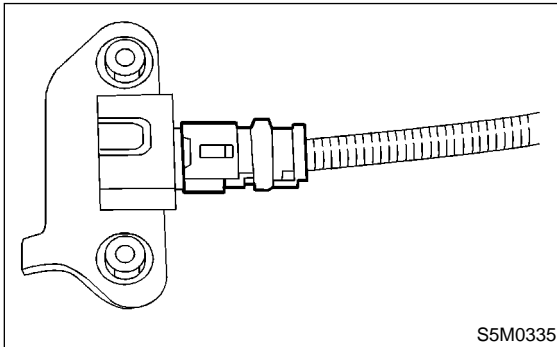
- 1) Check that front wheels are positioned in straight ahead direction.
- 2) Turn roll connector pin (A) clockwise until it stops.
- 3) Turn roll connector pin (A) counterclockwise approximately 2.65 turns until "▲" marks are aligned.



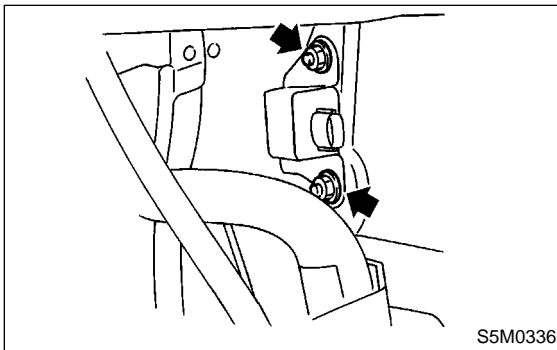
## 12. Front Sub Sensor S802300

### A: REMOVAL S802300A18

- 1) Turn ignition switch OFF.
- 2) Disconnect the ground cable from the battery, and wait for at least 20 seconds before starting work.
- 3) Remove front wheel and mud guard. <Ref. to EI-21 REMOVAL, Mud Guard.>
- 4) Disconnect connector from front sub sensor.



- 5) Remove front sub sensor.



### B: INSTALLATION S802300A11

Install in the reverse order of removal.

### C: INSPECTION S802300A10

Check for the following, and replace damaged parts with new parts.

- Front sub sensor, mounting bracket, and connector are damaged.

# FRONT SUB SENSOR HARNESS

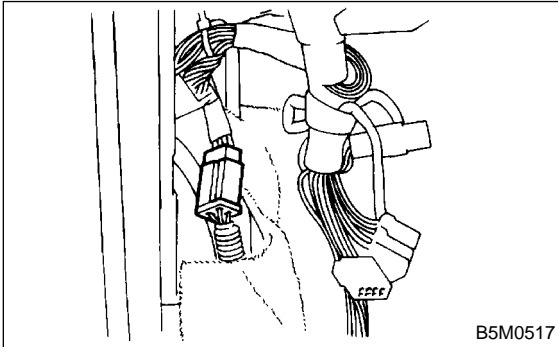
Airbag System

## 13. Front Sub Sensor Harness

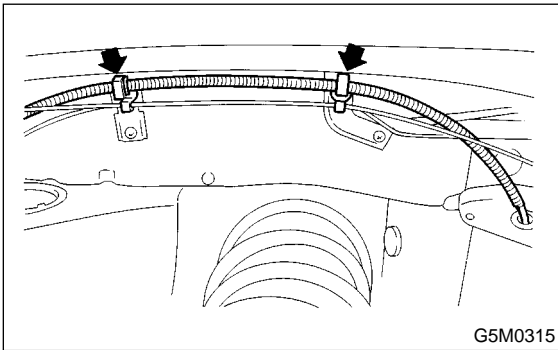
S802572

### A: REMOVAL S802572A18

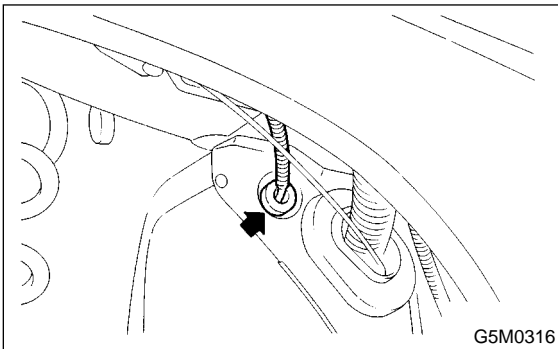
- 1) Turn ignition switch OFF.
- 2) Disconnect the ground cable from the battery, and wait for at least 20 seconds before starting work.
- 3) Remove front side sill cover, and then disconnect front sub sensor connector.



- 4) Disconnect connector from front sub sensor.  
<Ref. to AB-21 REMOVAL, Front Sub Sensor.>
- 5) Remove wiring harness clips.



- 6) Remove grommet, and then detach front sub sensor harness.



### B: INSTALLATION S802572A11

Install in the reverse order of removal.

### C: INSPECTION S802572A10

Check for the following, and replace damaged parts.

- Harness and/or connector is damaged.

## 14. Disposal of Airbag Module (Deploying While Installed in Vehicle)

S802573

### A: OPERATION

S802573A16

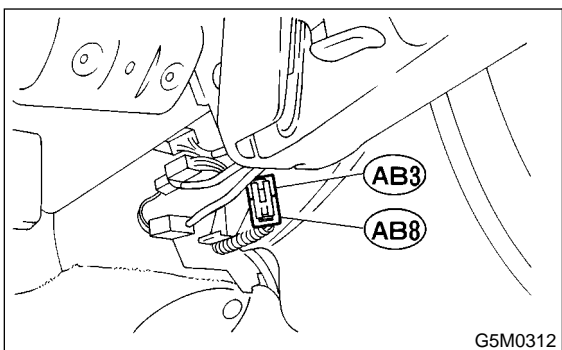
#### CAUTION:

- Do not discard undeployed airbag module because it may cause serious personal injury when accidentally deployed.
- As a rule, the airbag module should be deployed while still installed in the vehicle. Do not remove it unless necessary.
- Deployment of the airbag module should be done on a flat place free from any possible danger. Avoid deploying outdoors during rainy or windy weather.
- Because deploying the airbag module causes a high explosive noise, be sure to warn people in the area, and do not allow anyone within a 5 m (16 ft) radius of the disposal site.
- Some smoke will be emitted from deployment of the airbag module. Therefore, it must be deployed in a well-ventilated place with no fire alarms nearby.
- Wear gloves, goggles, and earplugs during this operation. Wash your hands afterwards.
- After deployment, the airbag module will be especially hot. Leave it unattended for 40 minutes, and then discard it.
- Do not let water get on the deployed airbag module.
- Wrap the deployed airbag module in an air-tight vinyl bag, and discard it.
- If circumstances do not permit airbag module deployment, contact a Subaru dealer.

### 1. AIRBAG MODULE (DRIVER)

S802573A1601

- 1) Turn ignition switch OFF.
- 2) Disconnect the ground cable from the battery, and wait for at least 20 seconds before starting work.
- 3) Remove lower cover.
- 4) Disconnect airbag connector (AB3) and (AB8) below steering column.

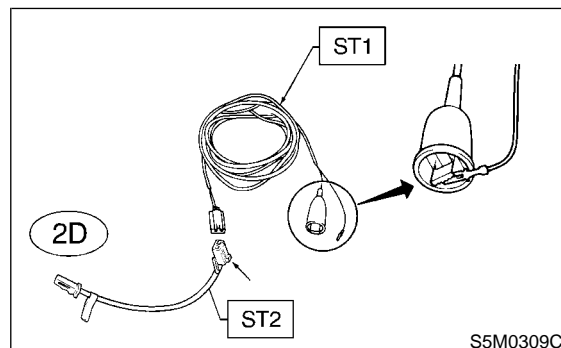


- 5) Short terminal to alligator clip furnished as deployment tool (ST1).
- 6) Connect the deployment tool (ST1) and deployment adapter (ST2).

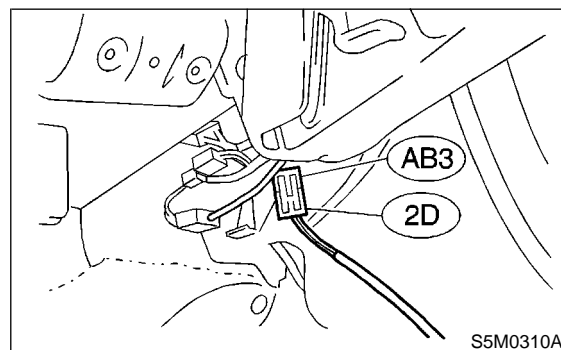
ST1 98299PA030 DEPLOYMENT TOOL  
 ST2 98299FC030 DEPLOYMENT ADAPTER  
 A

#### CAUTION:

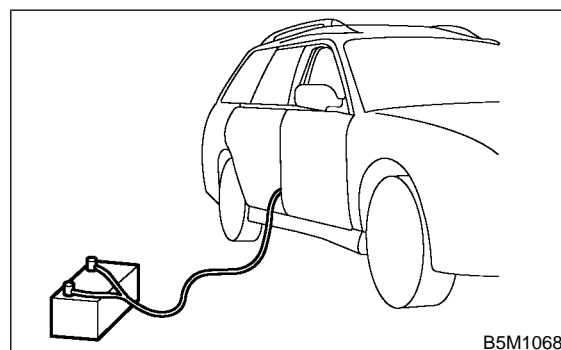
The deployment tool should be kept shorted until just before deployment of the airbag module.



- 7) Connect deployment adapter (ST2) connector (2D) to airbag connector (AB3).



- 8) Extend the deployment tool to the limit, and make sure that the vehicle is empty. Close all windows, sunroof, and rear gate completely.



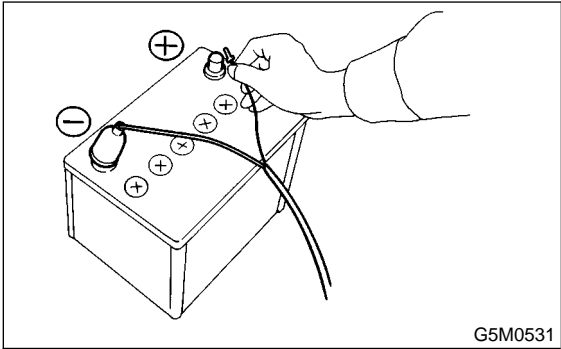
- 9) Move the battery at least 5 m (16 ft) from vehicle, and secure the nearby area. Connect the deployment tool alligator clip to the battery minus terminal.



# DISPOSAL OF AIRBAG MODULE (DEPLOYING WHILE INSTALLED IN VEHICLE)

## Airbag System

10) Connect the other terminal of the deployment tool to the battery plus terminal. Then, deploy the airbag module.

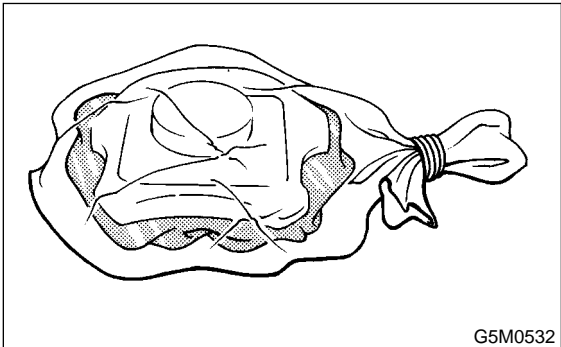


### CAUTION:

- After deployment, the airbag module will be especially hot. Leave it unattended for 40 minutes, and then discard it.
- Do not let water get on the deployed airbag module.

11) Remove airbag module. <Ref. to AB-12 Driver's Airbag Module.>

12) Wrap the deployed airbag module in an airtight vinyl bag, and discard it.



## 2. AIRBAG MODULE (PASSENGER) S802573A1602

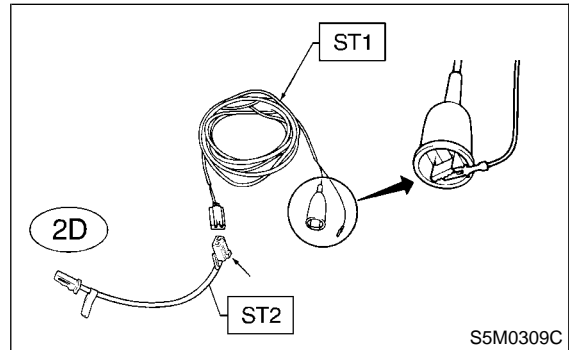
- 1) Turn ignition switch OFF.
- 2) Disconnect the ground cable from the battery, and wait for at least 20 seconds before starting work.
- 3) Remove the glove box. <Ref. to EI-28, REMOVAL, Glove Box.>
- 4) Disconnect airbag connectors (AB9) and (AB10).
- 5) Short terminal to alligator clip furnished as deployment tool (ST1).
- 6) Connect the deployment tool (ST1) and deployment adapter (ST2).

ST1 98299PA030 DEPLOYMENT TOOL  
ST2 98299FC030 DEPLOYMENT ADAPTER

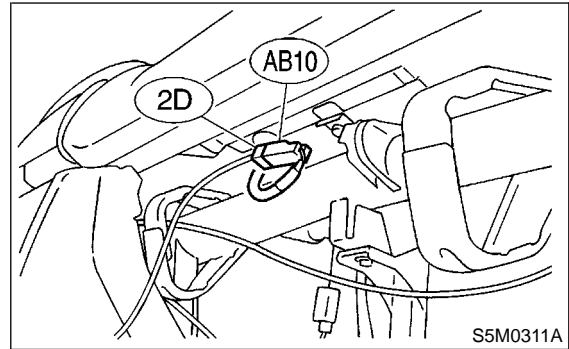
A

### CAUTION:

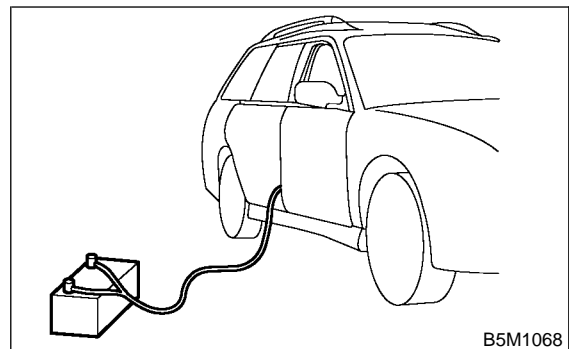
The deployment tool should be kept shorted until just before deployment of the airbag module.



7) Connect deployment adapter (ST2) connector (2D) to airbag connector (AB10).

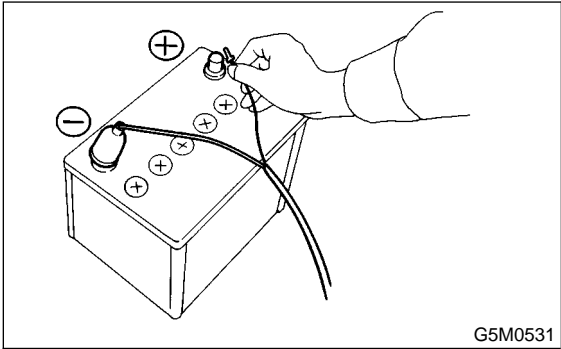


8) Extend the deployment tool to the limit, and make sure that the vehicle is empty. Close all windows, sunroof, and rear gate completely.



9) Move the battery at least 5 m (16 ft) from vehicle, and secure the nearby area. Connect the deployment tool alligator clip to the battery minus terminal.

10) Connect the other terminal of the deployment tool to the battery plus terminal. Then, deploy the airbag module.

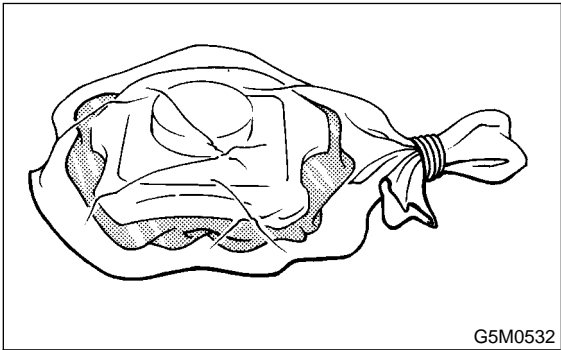


**CAUTION:**

- After deployment, the airbag module will be especially hot. Leave it unattended for 40 minutes, and then discard it.
- Do not let water get on the deployed airbag module.

11) Remove airbag module. <Ref. to AB-14 Passenger's Airbag Module.>

12) Wrap the deployed airbag module in an airtight vinyl bag, and discard it.



**3. AIRBAG MODULE (SIDE)** S802573A1603

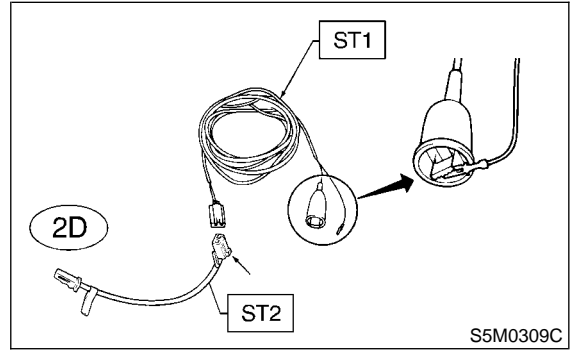
- 1) Turn ignition switch OFF.
- 2) Disconnect the ground cable from the battery, and wait for at least 20 seconds before starting work.
- 3) Disconnect the side airbag module connector (yellow) under the front seat cushion.
- 4) Adjust both the front seat and front seat backrest to center positions.
- 5) Short terminal to alligator clip furnished as deployment tool (ST1).
- 6) Connect the deployment tool (ST1) and deployment adapter (ST2).

ST1 98299PA030 DEPLOYMENT TOOL  
ST2 98299FC030 DEPLOYMENT ADAPTER

A

**CAUTION:**

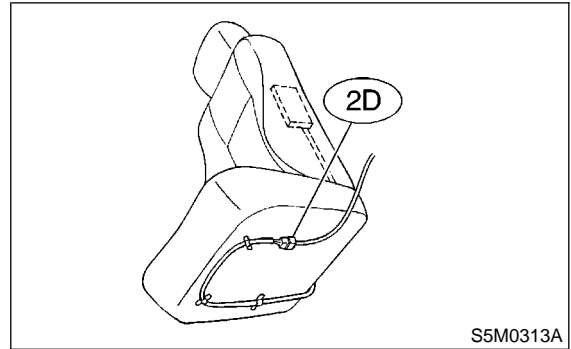
The deployment tool should be kept shorted until just before deployment of the airbag module.



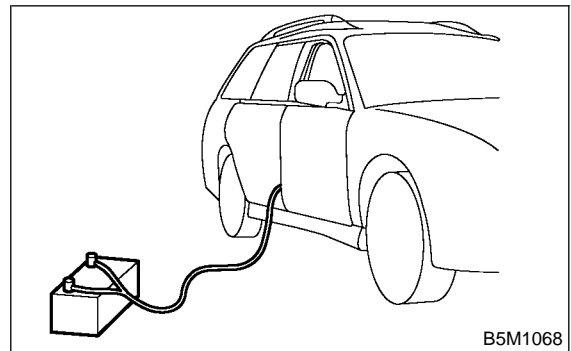
7) Connect deployment adapter (ST2) connector (2D) to side airbag module connector (yellow).

**CAUTION:**

Do not put any objects on the front seat.



8) Extend the deployment tool to the limit, and make sure that the vehicle is empty. Close all windows, sunroof, and rear gate completely.



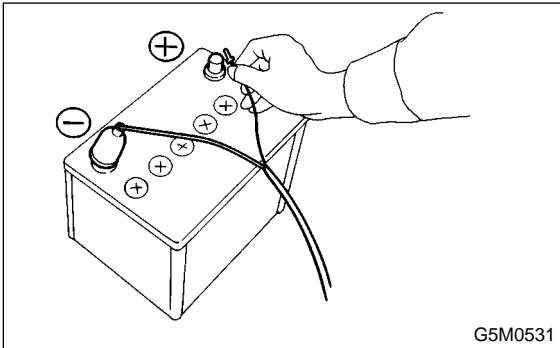
9) Move the battery at least 5 m (16 ft) from vehicle, and secure the nearby area. Connect the deployment tool alligator clip to the battery minus terminal.

# DISPOSAL OF AIRBAG MODULE (DEPLOYING WHILE INSTALLED IN VEHICLE)

## Airbag System

---

10) Connect the other terminal of the deployment tool to the battery plus terminal. Then, deploy the airbag module.

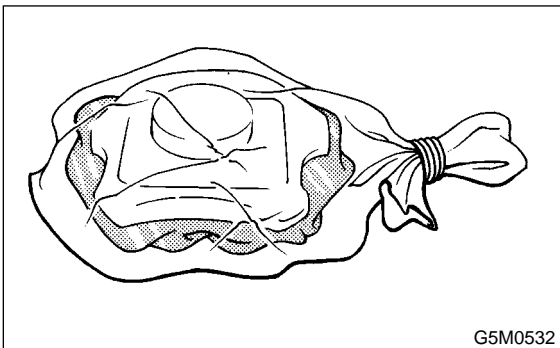


### CAUTION:

- After deployment, the airbag module will be especially hot. Leave it unattended for 40 minutes, and then discard it.
- Do not let water get on the deployed airbag module.

11) Remove side airbag module.

12) Wrap the deployed airbag module in an airtight vinyl bag, and discard it.



## 15. Disposal of Airbag Module (Deploying After Removal from Vehicle)

S802574

### A: OPERATION

S802574A16

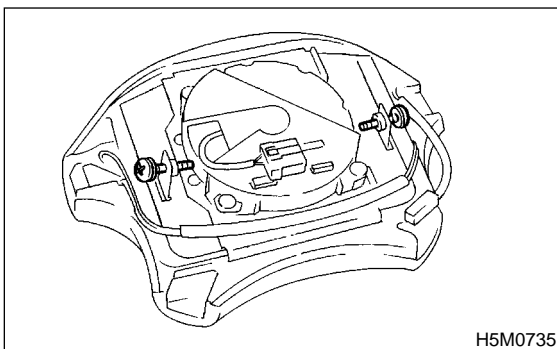
#### CAUTION:

- Do not discard undeployed airbag module because it may cause serious personal injury when accidentally deployed.
- As a rule, the airbag module should be deployed while still installed in the vehicle. Do not remove it unless necessary.
- Deployment of the airbag module should be done on a flat place free from any possible danger. Avoid deploying outdoors during rainy or windy weather.
- Do not damage the airbag module or drop it.
- Because deploying the airbag module causes a high explosive noise, be sure to warn people in the area, and do not allow anyone within a 5 m (16 ft) radius of the disposal site.
- Some smoke will be emitted from deployment of the airbag module. Therefore, it must be deployed in a well-ventilated place with no fire alarms nearby.
- Wear gloves, goggles, and earplugs during this operation. Wash your hands afterwards.
- After deployment, the airbag module will be especially hot. Leave it unattended for 40 minutes, and then discard it.
- Do not let water get on the deployed airbag module.
- Wrap the deployed airbag module in an airtight vinyl bag, and discard it.
- If circumstances do not permit airbag module deployment, contact a Subaru dealer.

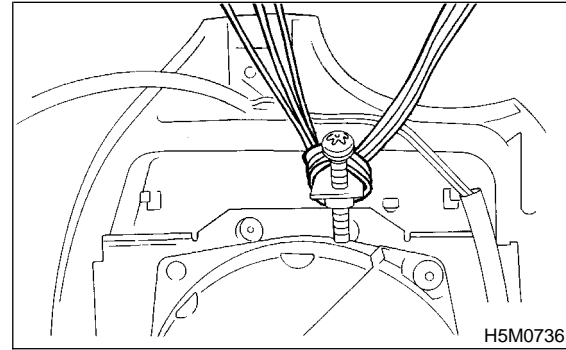
### 1. AIRBAG MODULE (DRIVER)

S802574A1601

- 1) Turn ignition switch OFF.
- 2) Disconnect the ground cable from the battery, and wait for at least 20 seconds before starting work.
- 3) Remove airbag module. <Ref. to AB-12 Driver's Airbag Module.>
- 4) Install the removed bolts to airbag module.



- 5) Bundle three wire automotive harnesses [each with a sectional area of 1.25 mm<sup>2</sup> (0.00194 sq in) or more], and bind them twofold around the airbag module stay.

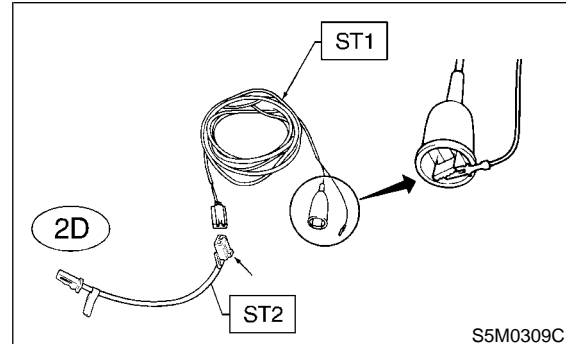


- 6) Short terminal to alligator clip furnished as deployment tool (ST1).
- 7) Connect the deployment tool (ST1) and deployment adapter (ST2).

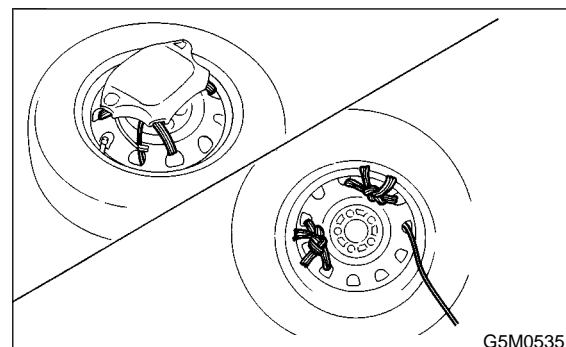
ST1 98299PA030 DEPLOYMENT TOOL  
 ST2 98299FC030 DEPLOYMENT ADAPTER  
 A

#### CAUTION:

The deployment tool should be kept shorted until just before deployment of the airbag module.



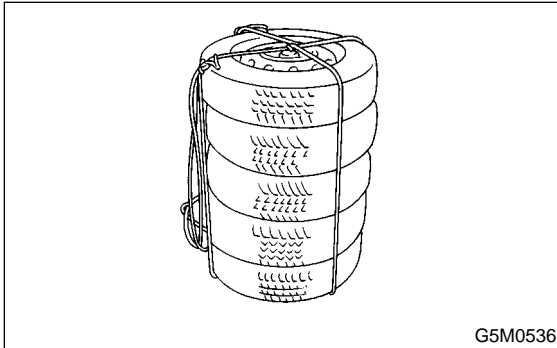
- 8) Connect deployment adapter (ST2) connector (2D) to airbag module.
- 9) Install airbag module with pad side facing upward on the wheel with the tire.



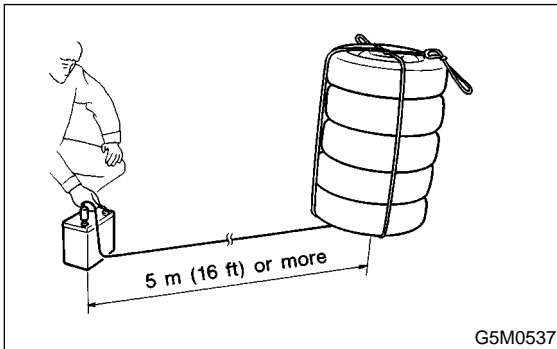
# DISPOSAL OF AIRBAG MODULE (DEPLOYING AFTER REMOVAL FROM VEHICLE)

## Airbag System

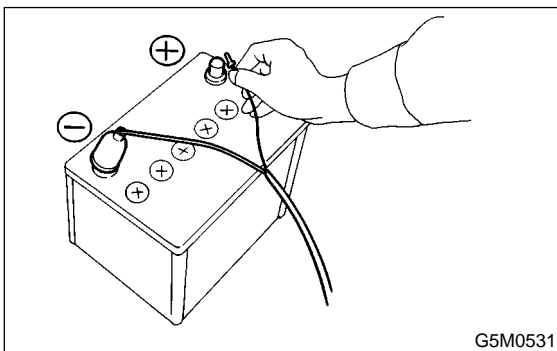
10) Put three tires without the wheel on the tire installed with the airbag module. Put on an additional tire with the wheel, and then fasten them tight with rope.



11) Move the battery at least 5 m (16 ft) from vehicle, and secure the nearby area. Connect the deployment tool alligator clip to the battery minus terminal.



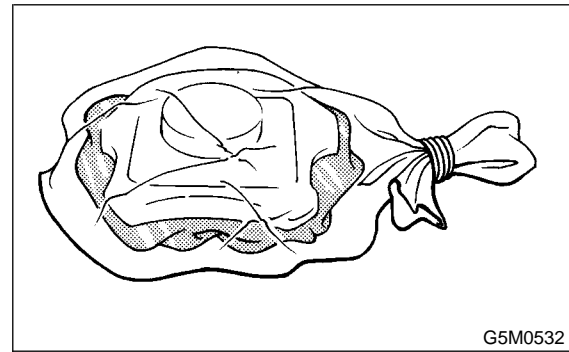
12) Connect the other terminal of the deployment tool to the battery plus terminal. Then, deploy the airbag module.



### CAUTION:

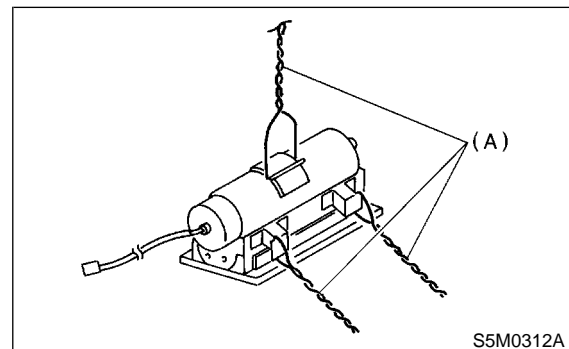
- After deployment, the airbag module will be especially hot. Leave it unattended for 40 minutes, and then discard it.
- Do not let water get on the deployed airbag module.

13) Wrap the deployed airbag module in an airtight vinyl bag, and discard it.



## 2. AIRBAG MODULE (PASSENGER) S802574A1602

- 1) Turn ignition switch OFF.
- 2) Disconnect the ground cable from the battery, and wait for at least 20 seconds before starting work.
- 3) Remove airbag module. <Ref. to AB-14 Passenger's Airbag Module.>
- 4) Bundle three wire automotive harnesses [each with a sectional area of 1.25 mm<sup>2</sup> (0.00194 sq in) or more], and route them through the airbag module bracket (A). Then, twist them for added strength.



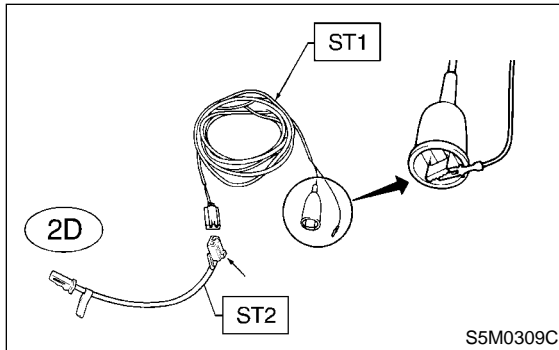
- 5) Short terminal to alligator clip furnished as deployment tool (ST1).
- 6) Connect the deployment tool (ST1) and deployment adapter (ST2).

ST1 98299PA030 DEPLOYMENT TOOL  
ST2 98299FC030 DEPLOYMENT ADAPTER  
A

# DISPOSAL OF AIRBAG MODULE (DEPLOYING AFTER REMOVAL FROM VEHICLE)

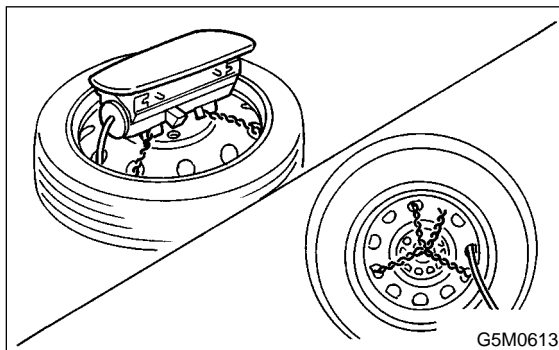
Airbag System

**CAUTION:**  
The deployment tool should be kept shorted until just before deployment of the airbag module.

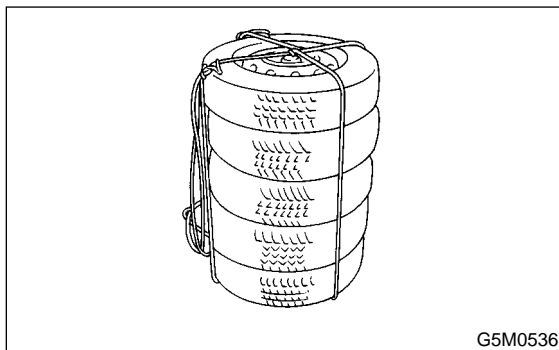


7) Connect deployment adapter (ST2) connector (2D) to airbag module.

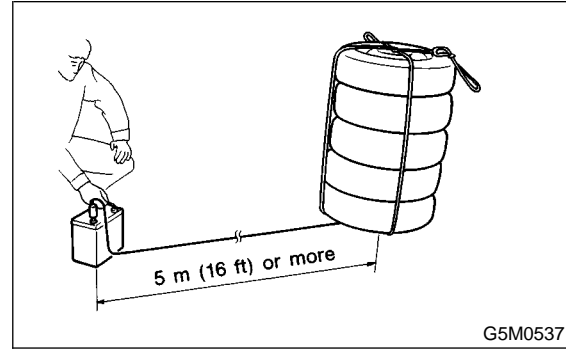
8) Install airbag module with pad side facing upward on 14 inch or greater size wheel with the tire.



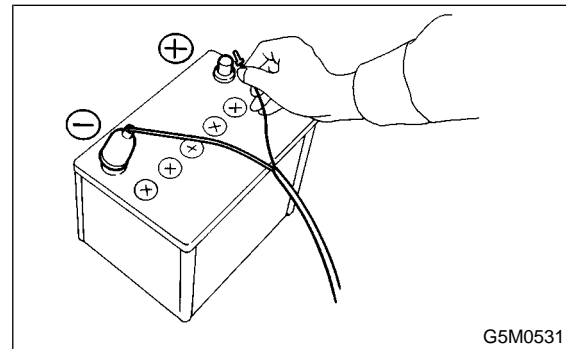
9) Put three tires without the wheel on the tire installed with the airbag module. Put on an additional tire with the wheel on top, and then fasten them tight with rope.



10) Move the battery at least 5 m (16 ft) from vehicle, and secure the nearby area. Connect the deployment tool alligator clip to the battery minus terminal.

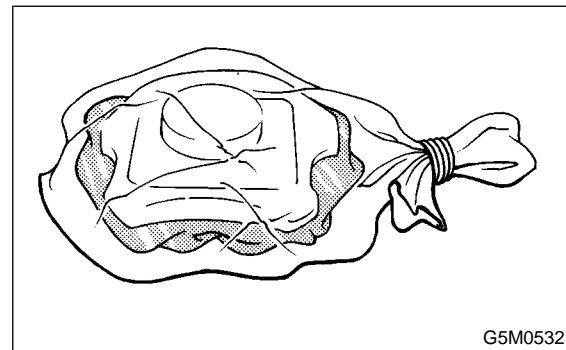


11) Connect the other terminal of the deployment tool to the battery plus terminal. Then, deploy the airbag module.



**CAUTION:**  
● After deployment, the airbag module will be especially hot. Leave it unattended for 40 minutes, and then discard it.  
● Do not let water get on the deployed airbag module.

12) Wrap the deployed airbag module in an airtight vinyl bag, and discard it.



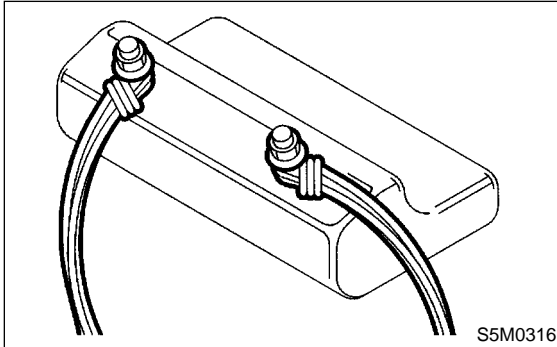
### 3. AIRBAG MODULE (SIDE) S802574A1603

- 1) Turn ignition switch OFF.
- 2) Disconnect the ground cable from the battery, and wait for at least 20 seconds before starting work.

# DISPOSAL OF AIRBAG MODULE (DEPLOYING AFTER REMOVAL FROM VEHICLE)

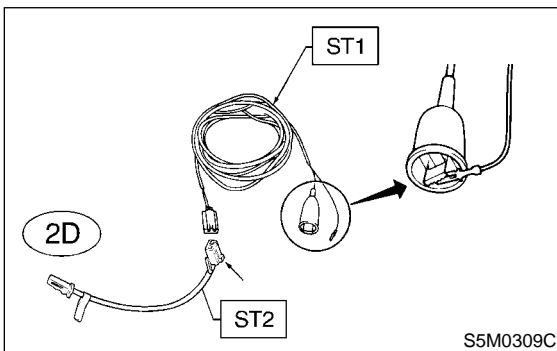
## Airbag System

- 3) Remove front seat. <Ref. to SE-5 REMOVAL, Front Seat.>
- 4) Remove side airbag module.
- 5) Install nuts to side airbag module.
- 6) Bundle three wire automotive harnesses [each with a sectional area of 1.25 mm<sup>2</sup> (0.00194 sq in) or more], and bind them twofold around the airbag module stay.



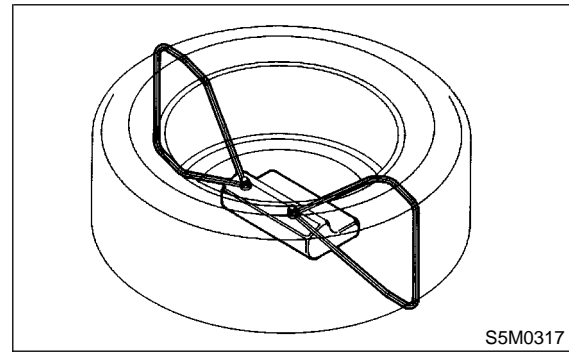
- 7) Short terminal to alligator clip furnished as deployment tool (ST1).
  - 8) Connect the deployment tool (ST1) and deployment adapter (ST2).
- |     |            |                    |
|-----|------------|--------------------|
| ST1 | 98299PA030 | DEPLOYMENT TOOL    |
| ST2 | 98299FC030 | DEPLOYMENT ADAPTER |
- A

**CAUTION:**  
The deployment tool should be kept shorted until just before deployment of the airbag module.

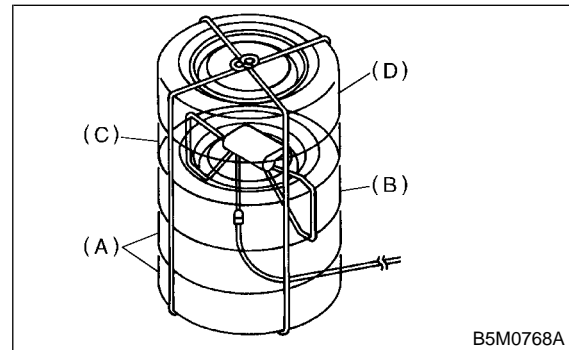


- 9) Connect deployment adapter (ST2) connector (2D) to airbag module.

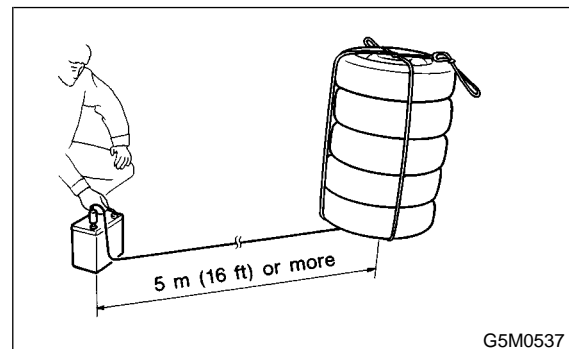
- 10) Install side airbag module on 14 inch or greater size tire without disk wheel.



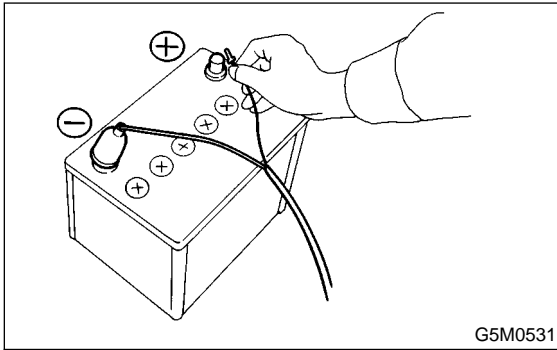
Put two tires without the wheel (A) under the tire installed with the side airbag module (B). Put on an additional tire without disk wheel (C), and then put a tire with the wheel (D) on top. Fasten them tight with rope.



- 11) Move the battery at least 5 m (16 ft) from the vehicle, and secure the nearby area. Connect the deployment tool alligator clip to the battery minus terminal.



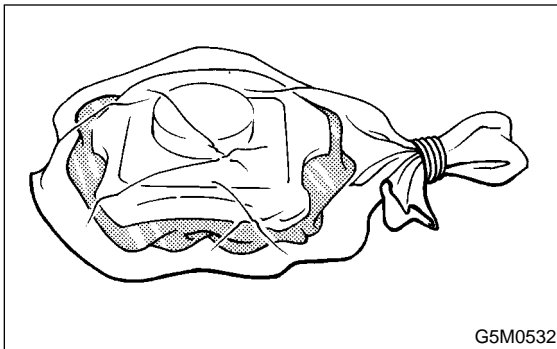
12) Connect the other terminal of the deployment tool to the battery plus terminal. Then, deploy the airbag module.



**CAUTION:**

- After deployment, the airbag module will be especially hot. Leave it unattended for 40 minutes, and then discard it.
- Do not let water get on the deployed airbag module.

13) Wrap the deployed airbag module in an air-tight vinyl bag, and discard it.





**DISPOSAL OF AIRBAG MODULE (DEPLOYING AFTER REMOVAL FROM VEHICLE)**

Airbag System

---

**MEMO:**