

BODY SECTION

This service manual has been prepared to provide SUBARU service personnel with the necessary information and data for the correct maintenance and repair of SUBARU vehicles.

This manual includes the procedures for maintenance, disassembling, reassembling, inspection and adjustment of components and diagnostics for guidance of experienced mechanics.

Please peruse and utilize this manual fully to ensure complete repair work for satisfying our customers by keeping their vehicle in optimum condition. When replacement of parts during repair work is needed, be sure to use SUBARU genuine parts.

All information, illustration and specifications contained in this manual are based on the latest product information available at the time of publication approval.

FUJI HEAVY INDUSTRIES LTD.

**HVAC SYSTEM
(HEATER, VENTILATOR AND A/C) AC**

AIRBAG SYSTEM AB

SEAT BELT SYSTEM SB

LIGHTING SYSTEM LI

WIPER AND WASHER SYSTEMS WW

ENTERTAINMENT ET

COMMUNICATION SYSTEM COM

GLASS/WINDOWS/MIRRORS GW

BODY STRUCTURE BS

INSTRUMENTATION/DRIVER INFO IDI

SEATS SE

SECURITY AND LOCKS SL

**SUNROOF/T-TOP/CONVERTIBLE TOP
(SUNROOF) SR**

EXTERIOR/INTERIOR TRIM EI

EXTERIOR BODY PANELS EB

CRUISE CONTROL SYSTEM CC

SEAT BELT SYSTEM

SB

	Page
1. General Description.....	2
2. Inspection Locations After a Collision	5
3. Front Seat Belt	6
4. Rear Seat Belt.....	8
5. Disposal of Pretensioner	10

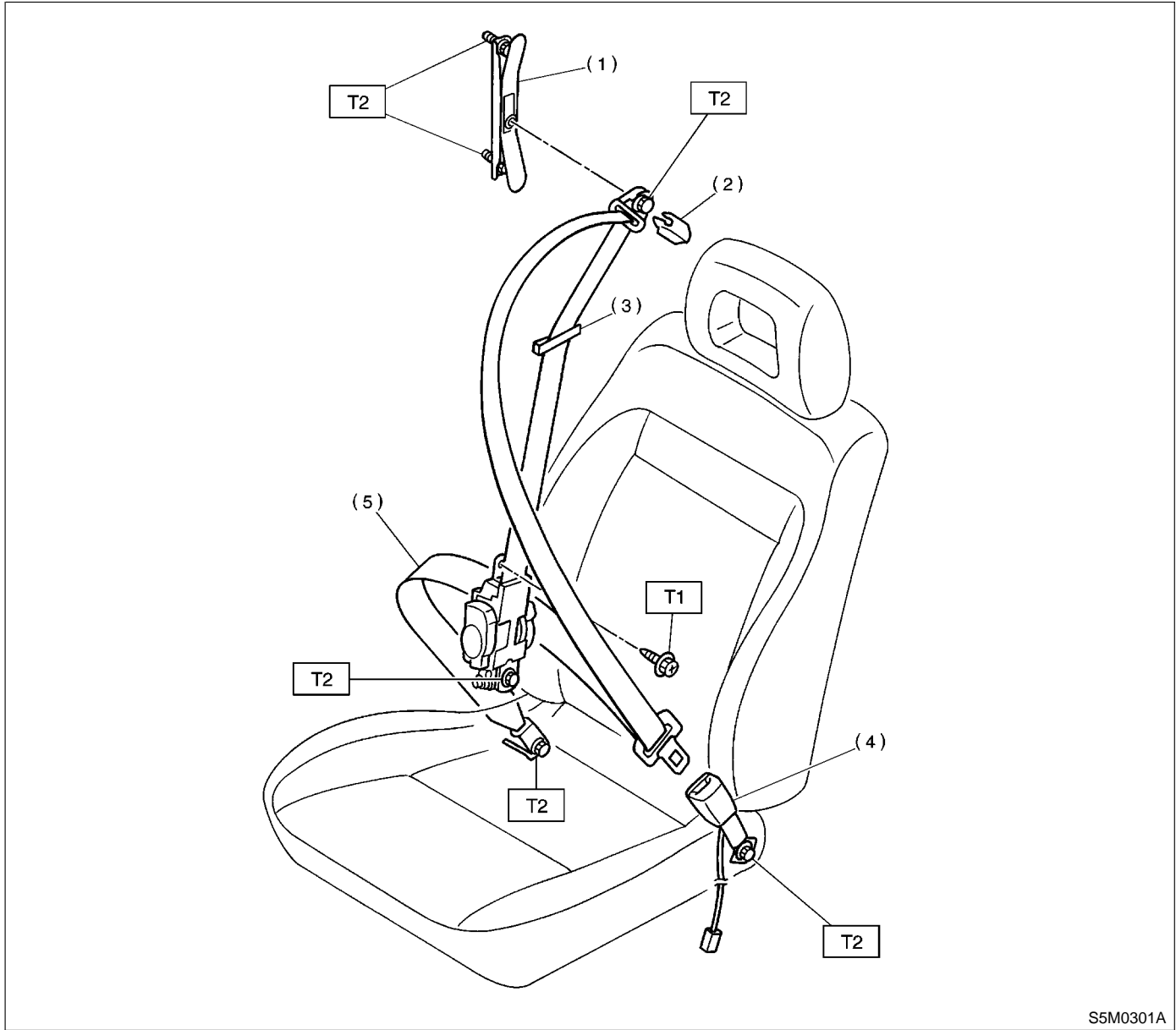
GENERAL DESCRIPTION

Seat Belt System

1. General Description SB01001

A: COMPONENT SB01001A05

1. FRONT SEAT BELT SB01001A0501



(1) Adjuster anchor ASSY

(2) Anchor cover

(3) Webbing guide

(4) Inner belt ASSY

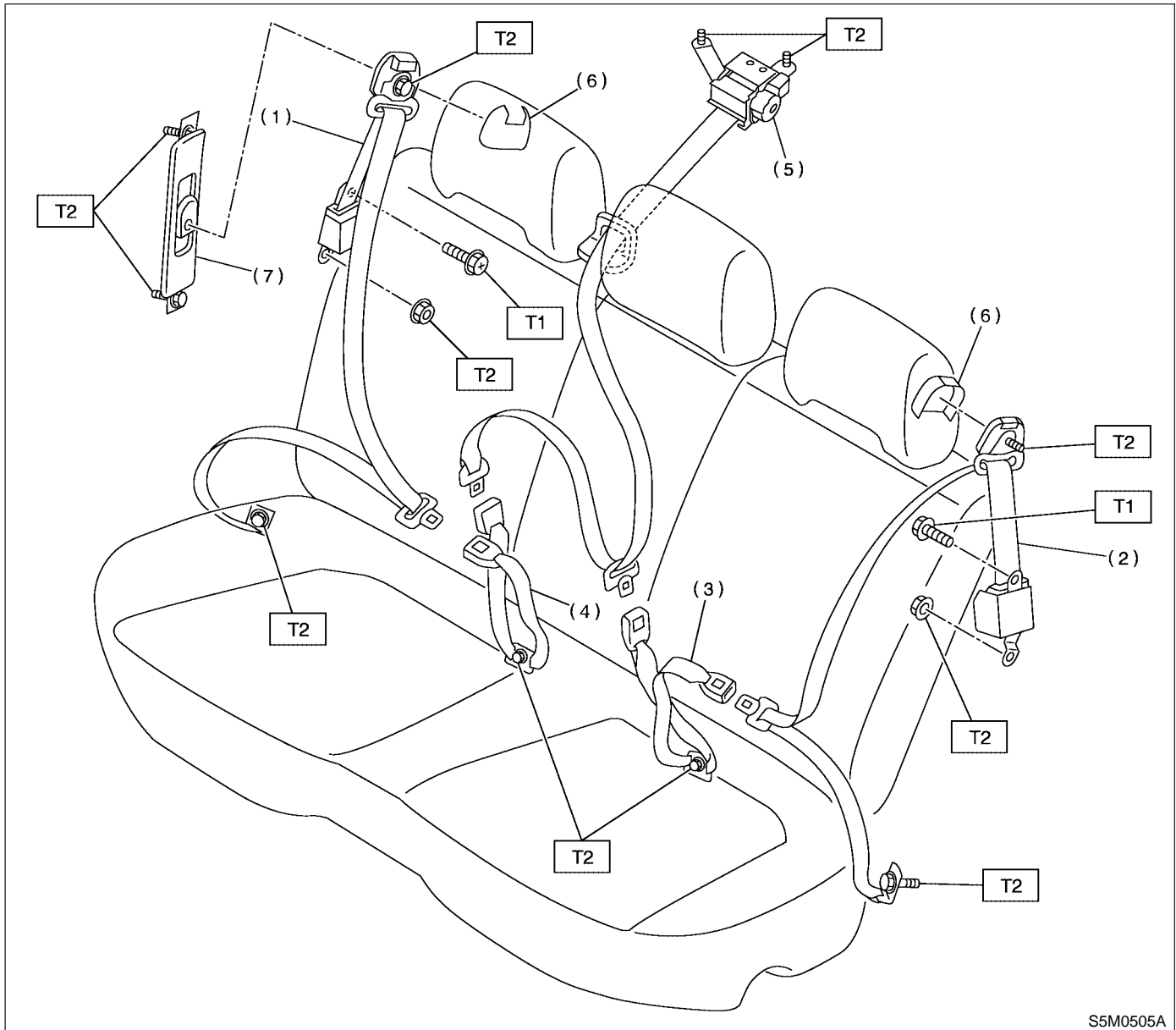
(5) Outer belt ASSY

Tightening torque: N·m (kgf·m, ft·lb)

T1: 7.5 (0.76, 5.5)

T2: 30 (3.1, 22)

2. REAR SEAT BELT S801001A0504



- | | |
|------------------------|----------------------------|
| (1) Outer seat belt RH | (5) Outer seat belt CENTER |
| (2) Outer seat belt LH | (6) Anchor cover |
| (3) Inner seat belt LH | (7) Adjustable anchor ASSY |
| (4) Inner seat belt RH | |

Tightening torque: N·m (kgf·m, ft·lb)

T1: 7.5 (0.76, 5.5)

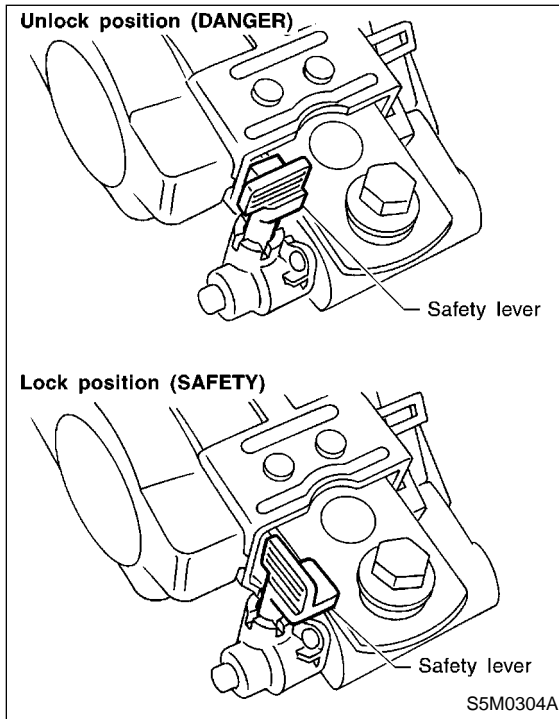
T2: 30 (3.1, 22)

GENERAL DESCRIPTION

Seat Belt System

B: CAUTION SB01001A03

- Before removing pretensioner, be sure to rotate while pulling the safety lever to the right until it stops to set the lock position.



- Do not drop or apply any impact to the pretensioner.
- If oil, grease, or water gets on the pretensioner, wipe it off immediately with a dry cloth.
- Do not expose the pretensioner to high temperature or flame.
- Do not disassemble or attempt to repair the pretensioner. If it is dented, cracked, or deformed, replace it with a new one.
- Do not use the pretensioner parts from other vehicles. Always replace parts with new parts
- When handling a seat belt with a deployed pretensioner, wear gloves and goggles. Wash your hands afterwards.
- Do not re-use a seat belt with a deployed pretensioner again.
- Be sure to deploy pretensioner before disposal. <Ref. to SB-10 OPERATION Disposal of Pretensioner.>
- If the material gets in your eyes or on your skin during deployment, wash it away with clean water, and then consult a doctor.

2. Inspection Locations After a Collision SB01306

A: INSPECTION SB01306A10

Check for the following, and then replace with new parts if necessary.

- Center pillar lower garnish is discolored or cracked.
- Wire harness and/or connector is damaged.

FRONT SEAT BELT

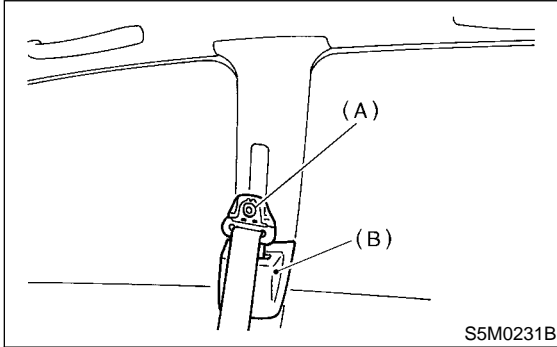
Seat Belt System

3. Front Seat Belt S801303

A: REMOVAL S801303A18

1. OUTER BELT (FRONT) S801303A1807

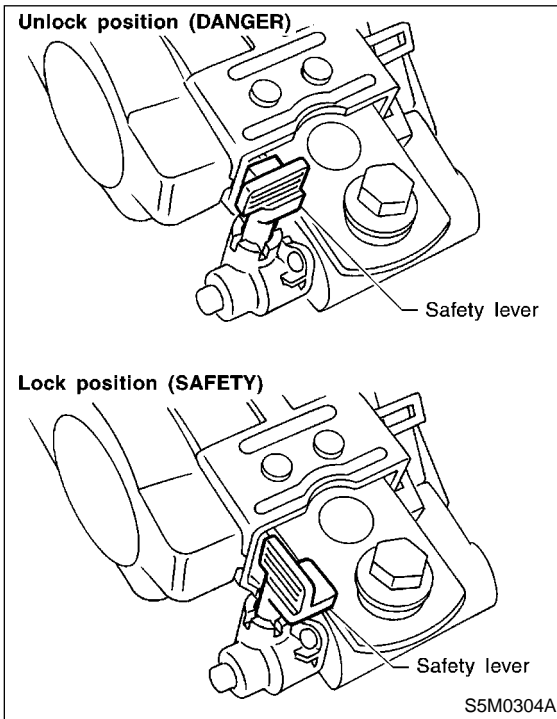
- 1) Fold backrest all the way forward, and then move front seat all the way forward.
- 2) Remove anchor cover and shoulder anchor bolt (A).
- 3) Remove center pillar cover (B) and center pillar lower trim. <Ref. to EI-38 REMOVAL, Lower Inner Trim.>



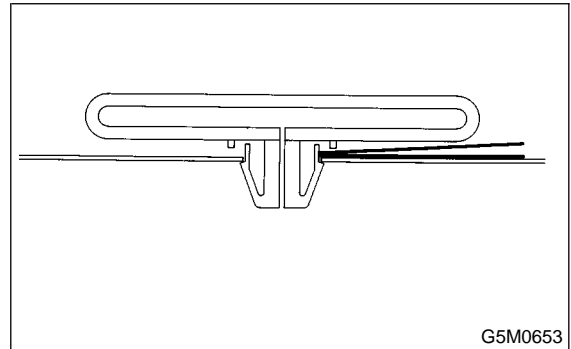
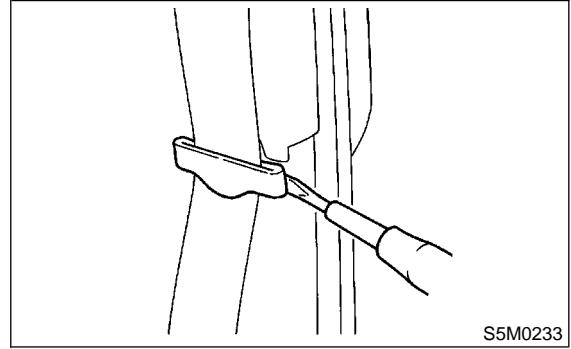
- 4) Rotate while pulling the safety lever to the right until it stops, then set the lock position.

CAUTION:

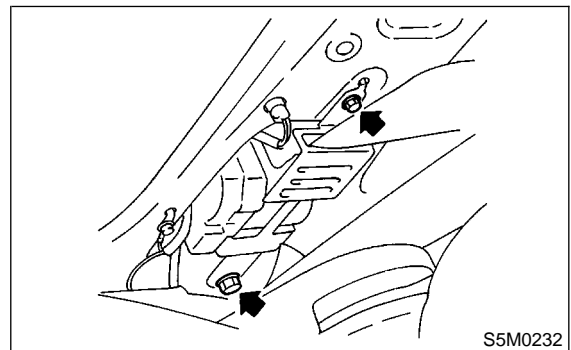
Once undeployed pretensioner has been removed from the vehicle body, do not move the safety lever until re-installation.



- 5) Remove webbing guide.



- 6) Remove lap anchor bolt.
- 7) Remove belt retractor and outer belt.

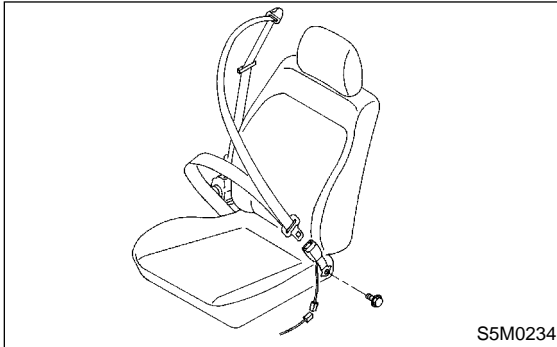


CAUTION:

- Do not drop or apply any impact to pretensioner.
- Pretensioner and bracket should be treated as an assembly. Do not attempt to disassemble it.

2. INNER BELT (FRONT) SB01303A1802

- 1) Disconnect connector.
- 2) Remove anchor bolt, and then detach inner belt.



B: INSTALLATION SB01303A11

1. OUTER BELT (FRONT) SB01303A1107

Install in the reverse order of removal.

CAUTION:

- The parts on left and right are not identical. Before installation, make sure that the correct part is used.
- Be careful not to twist belts during installation.

2. INNER BELT (FRONT) SB01303A1102

Install in the reverse order of removal.

C: INSPECTION SB01303A10

1. OUTER BELT (FRONT) SB01303A1005

Check for the following, and replace with new parts if necessary.

- Pretensioner is cracked or deformed.
- Seat belt is slackened, bent, or frayed. Seat belt is abnormally wound or extended.

2. INNER BELT (FRONT) SB01303A1002

Check for the following, and replace with new parts if necessary.

- Inner belt is deformed or damaged.
- Seat belt buckle is engaged improperly.

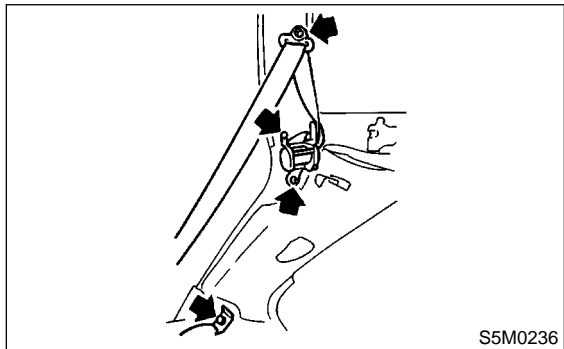
REAR SEAT BELT

4. Rear Seat Belt S801304

A: REMOVAL S801304A18

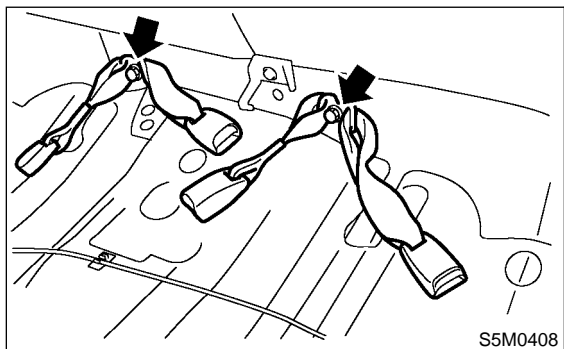
1. OUTER BELT SIDE S801304A1809

- 1) Remove rear seat. <Ref. to SE-6 REMOVAL, Rear Seat.>
- 2) Remove side sill rear upper cover. <Ref. to EI-38 REMOVAL, Lower Inner Trim.>
- 3) Remove quarter trim. <Ref. to EI-39 REMOVAL, Rear Quarter Trim.>
- 4) Remove bolts, then detach outer belt side.



2. INNER BELT S801304A1810

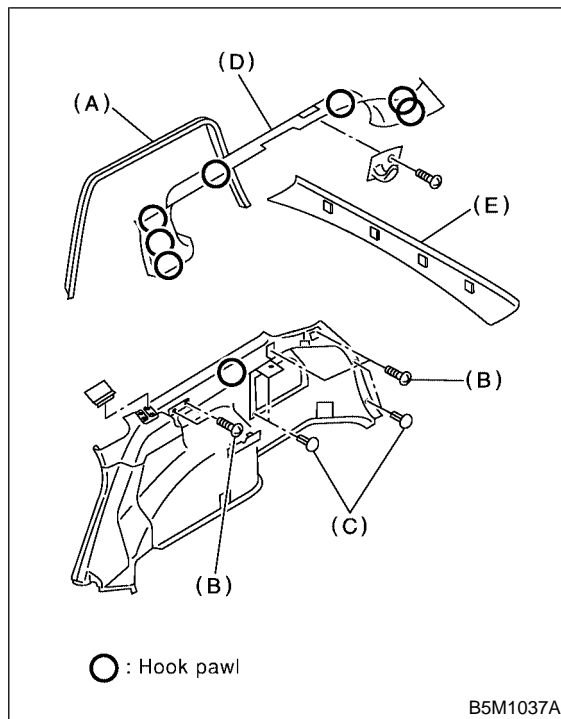
- 1) Remove the rear cushion. <Ref. to SE-6 REMOVAL, Rear Seat.>
- 2) Remove bolts, and then detach inner belt.



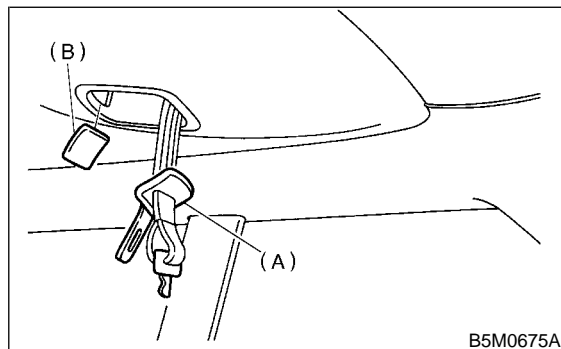
3. OUTER BELT CENTER S801304A1811

CAUTION:
When removing clip, use great care not to damage the roof trim.

- 1) Remove rear rail trim (I).
- 2) Remove strut cover (J).
- 3) Remove rear outer belt side anchor bolt.
- 4) Remove caps and screws then remove rear quarter upper trim (H).

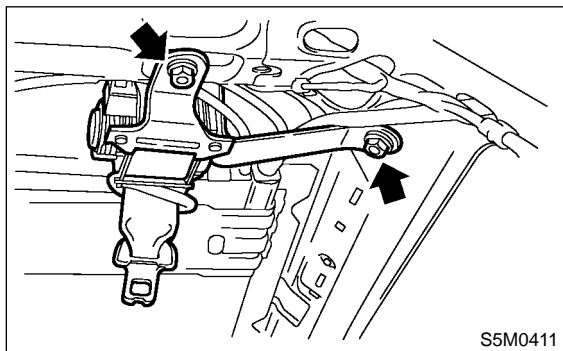


- 5) Remove cover (B) while detaching snap lock carefully. Put the outer belt center tongue (A) out to the other side of the trim through the hole.



- 6) Remove clips and hang down rear end of roof trim.

7) Disconnect harness and connector, and then remove outer belt center assembly.



B: INSTALLATION S801304A11

1. OUTER BELT SIDE S801304A1109

Install in the reverse order of removal.

CAUTION:

- During installation, make sure that seat belts are not twisted.
- After installation, make sure that seat belts can be smoothly extended and wound.

2. OUTER BELT CENTER S801304A1110

Install in the reverse order of removal.

CAUTION:

- During installation, make sure that seat belts are not twisted.
- After installation, make sure that seat belts can be smoothly extended and wound.

3. INNER BELT S801304A1111

Install in the reverse order of removal.

CAUTION:

During installation, make sure that seat belts are not twisted.

C: INSPECTION S801304A10

1. OUTER BELT SIDE S801304A1009

Check for the following, and replace with new parts if necessary.

- Seat belt is slackened, bent, or frayed. Seat belt is abnormally wound or extended.

2. OUTER BELT CENTER S801304A1010

Check for the following, and replace with new parts if necessary.

- Seat belt is slackened, bent, or frayed. Seat belt is abnormally wound or extended.

3. INNER BELT S801304A1011

Check for the following, and replace with new parts if necessary.

- Inner belt is deformed or damaged.
- Seat belt buckle is engaged improperly.

DISPOSAL OF PRETENSIONER

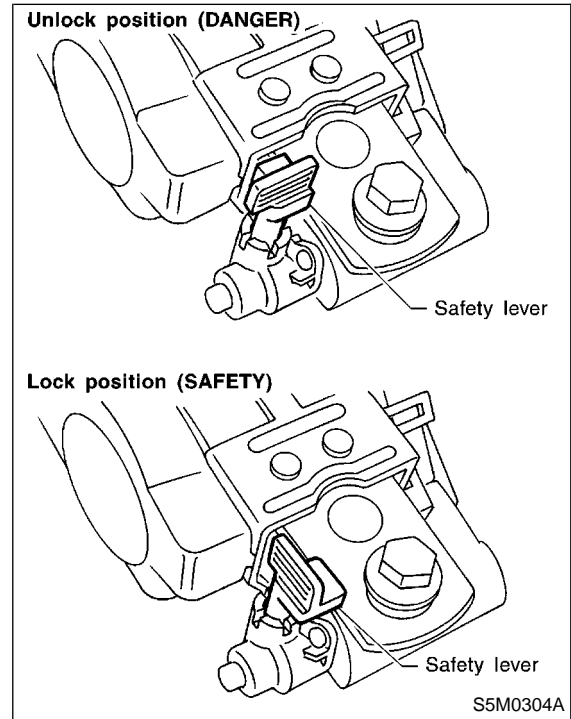
5. Disposal of Pretensioner SB01305

A: CAUTION SB01305A03

- Do not discard undeployed pretensioners, because they may cause serious personal injury when accidentally deployed.
- Deployment of the pretensioners should be done on a flat place free from any possible danger. Avoid deploying outdoors during rainy or windy weather.
- Do not drop or damage pretensioner.
- Because deploying the pretensioners causes a high-explosive noise, be sure to warn people in the area, and do not allow anyone within a 5-meter (16 ft) radius of the disposal site.
- Some smoke will be emitted after deployment of the pretensioners. Therefore, it must be deployed in a well-ventilated area with no smoke alarms nearby.
- Wear gloves, goggles, and earplugs during this operation. Wash your hands afterwards.
- After deployment, the pretensioner is especially hot. Leave it unattended for 40 minutes, and then discard it.
- Do not let water get on the deployed pretensioner.
- Wrap the deployed the pretensioner in an air-tight vinyl bag, and then discard it.

B: OPERATION SB01305A16

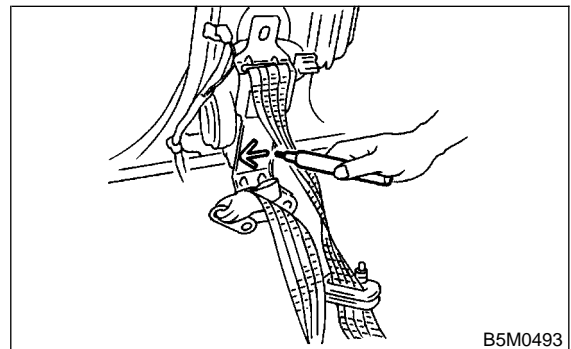
- 1) Rotate while pulling the safety lever to the right until it stops, then set the lock position.



- 2) Remove outer belt (FRONT). <Ref. to SB-6 OUTER BELT (FRONT), REMOVAL, Front Seat Belt.>
- 3) Mark an arrow on pretensioner which indicates vehicle front.

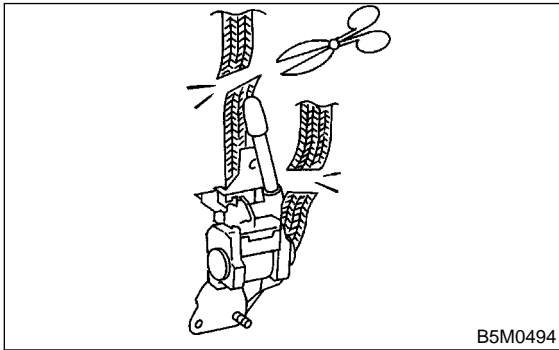
WARNING:

Never move the safety lever of pretensioner until instructed to do so.

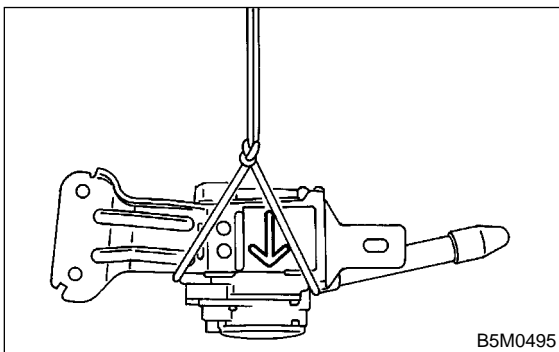


DISPOSAL OF PRETENSIONER

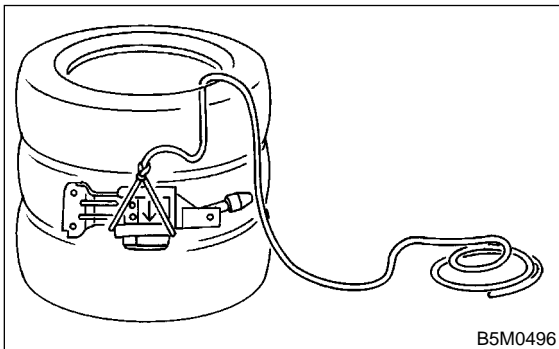
4) Cut the webbing of the pretensioner.



5) Tie the pretensioner with a rope of a minimum 6 m (20 ft) so that the arrow on the pretensioner faces downward.

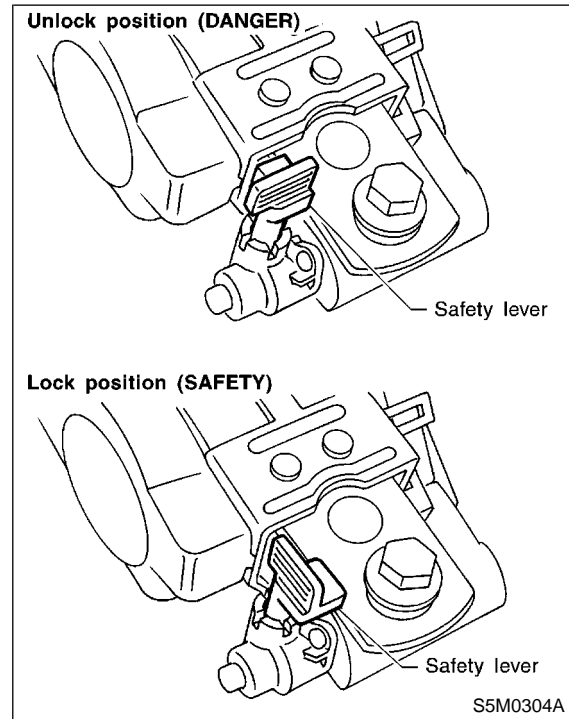


6) Pile three tires without disc wheels on a flat and rigid floor. Softly place the pretensioner in the tires with the arrow facing downward.



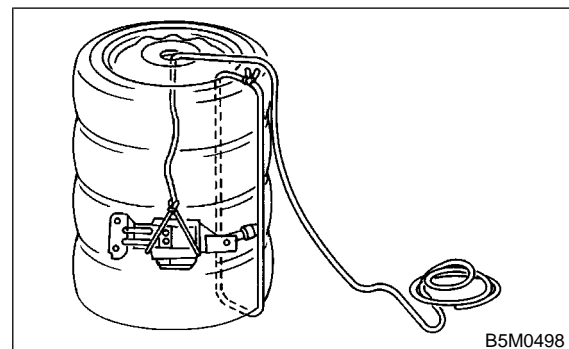
7) Rotate while pulling the safety lever to the left until it stops, then set the unlock position.

CAUTION:
Pay careful attention not to apply impact to the pretensioner with its safety system unlocked. It may deploy even with a slight impact.



8) Put a tire with disk wheel on the three tires so that the rope comes out of the wheel center as shown in the figure. Then, fix the four tires with another rope.

WARNING:
Pay careful attention not to apply impact to the pretensioner with its safety system unlocked. It may deploy even with a slight impact.



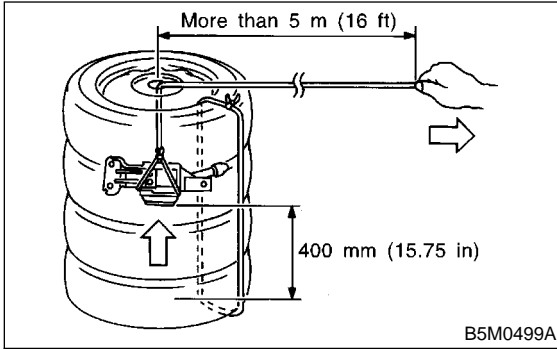
DISPOSAL OF PRETENSIONER

Seat Belt System

9) Pull the rope on the pretensioner from a minimum 5 m (16 ft) away from the tires so that the pretensioner is lifted a minimum 400 mm (15.75 in) from the floor.

CAUTION:

Before pulling the rope, confirm the safety in the working area, and inform the people around you of the deployment.



10) Release the rope to drop the pretensioner so that the pretensioner is deployed by impact.

CAUTION:

- The pretensioner may not deploy if the safety system is locked completely or it falls in a direction different from the one shown by the arrow. In this case, repeat the procedure from the beginning paying attention not to apply impact to the pretensioner.
- After deployment, the pretensioner is extremely hot. Leave it unattended for 40 minutes.
- Do not let water get on the deployed pretensioner.

11) Wrap the deployed pretensioner in an airtight vinyl bag and discard it.

