

BODY SECTION

This service manual has been prepared to provide SUBARU service personnel with the necessary information and data for the correct maintenance and repair of SUBARU vehicles.

This manual includes the procedures for maintenance, disassembling, reassembling, inspection and adjustment of components and diagnostics for guidance of experienced mechanics.

Please peruse and utilize this manual fully to ensure complete repair work for satisfying our customers by keeping their vehicle in optimum condition. When replacement of parts during repair work is needed, be sure to use SUBARU genuine parts.

All information, illustration and specifications contained in this manual are based on the latest product information available at the time of publication approval.

FUJI HEAVY INDUSTRIES LTD.

**HVAC SYSTEM
(HEATER, VENTILATOR AND A/C) AC**

AIRBAG SYSTEM AB

SEAT BELT SYSTEM SB

LIGHTING SYSTEM LI

WIPER AND WASHER SYSTEMS WW

ENTERTAINMENT ET

COMMUNICATION SYSTEM COM

GLASS/WINDOWS/MIRRORS GW

BODY STRUCTURE BS

INSTRUMENTATION/DRIVER INFO IDI

SEATS SE

SECURITY AND LOCKS SL

**SUNROOF/T-TOP/CONVERTIBLE TOP
(SUNROOF) SR**

EXTERIOR/INTERIOR TRIM EI

EXTERIOR BODY PANELS EB

CRUISE CONTROL SYSTEM CC

ENTERTAINMENT

ET

	Page
1. General Description.....	2
2. Radio System.....	4
3. Cigarette Lighter System.....	9
4. Accessory Power Socket System	10
5. Radio Body	11
6. Front Speaker.....	12
7. Rear Speaker	13
8. Antenna	14
9. Antenna Amplifier	15
10. Cigarette Lighter.....	16
11. Accessory Power Socket	17

GENERAL DESCRIPTION

Entertainment

1. General Description S901001

A: CAUTION S901001A03

- Before disassembling or reassembling parts, always disconnect battery ground cable. When replacing radio, control module, and other parts provided with memory functions, record memory contents before disconnecting the battery ground cable. Otherwise, the memory will be erased.
- Reassemble in reverse order of disassembly, unless otherwise indicated.
- Adjust parts to the given specifications.
- Connect connectors and hoses securely during reassembly.
- After reassembly, make sure functional parts operate smoothly.

B: PREPARATION TOOL S901001A17

1. GENERAL TOOLS S901001A1701

TOOL NAME	REMARKS
Circuit Tester	Used for measuring resistance and voltage.
Conductive Silver Composition (DUPONT NO. 4817 or equivalent)	Used for repairing antenna wire.

MEMO:

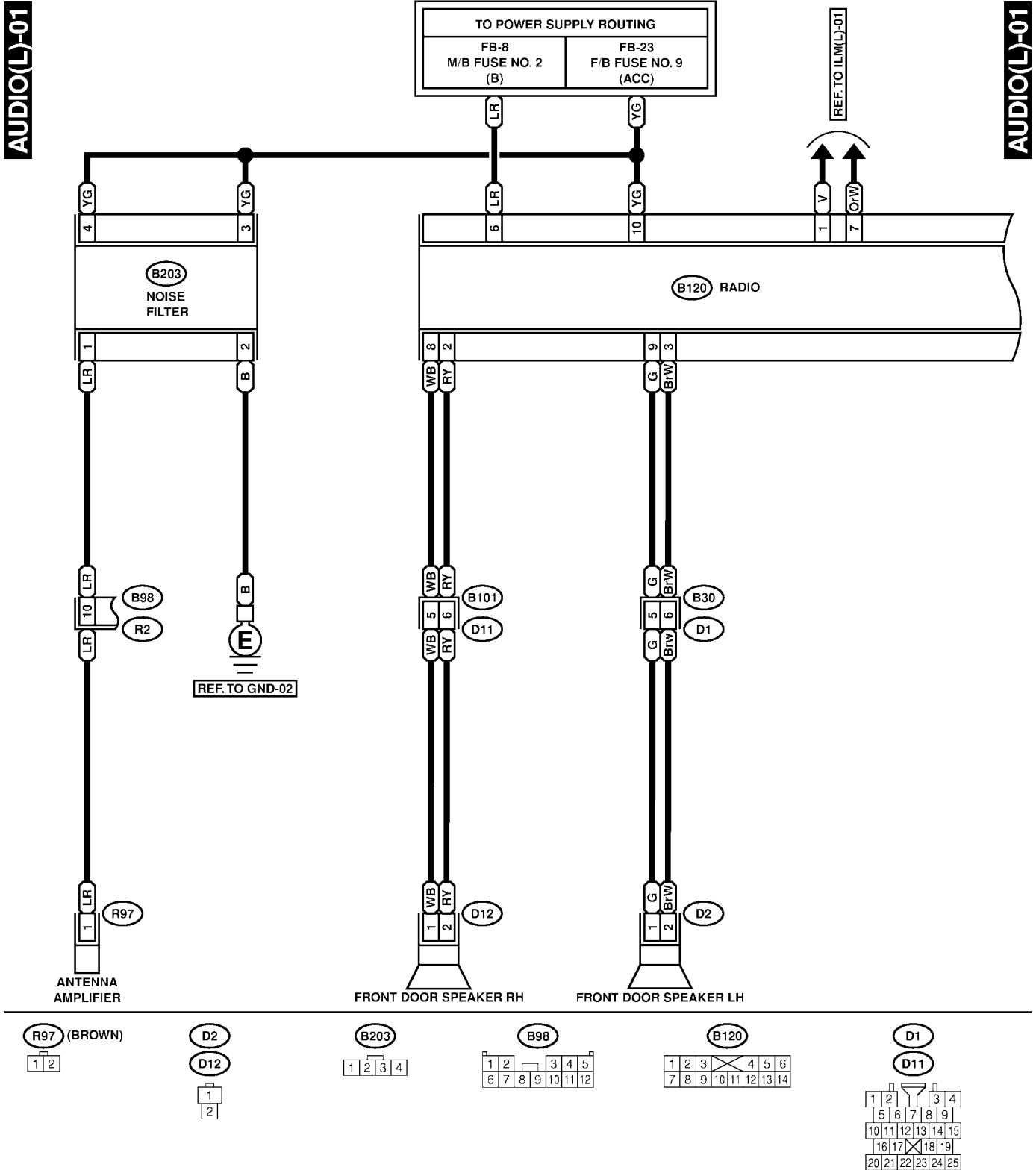
RADIO SYSTEM

Entertainment

2. Radio System S901467

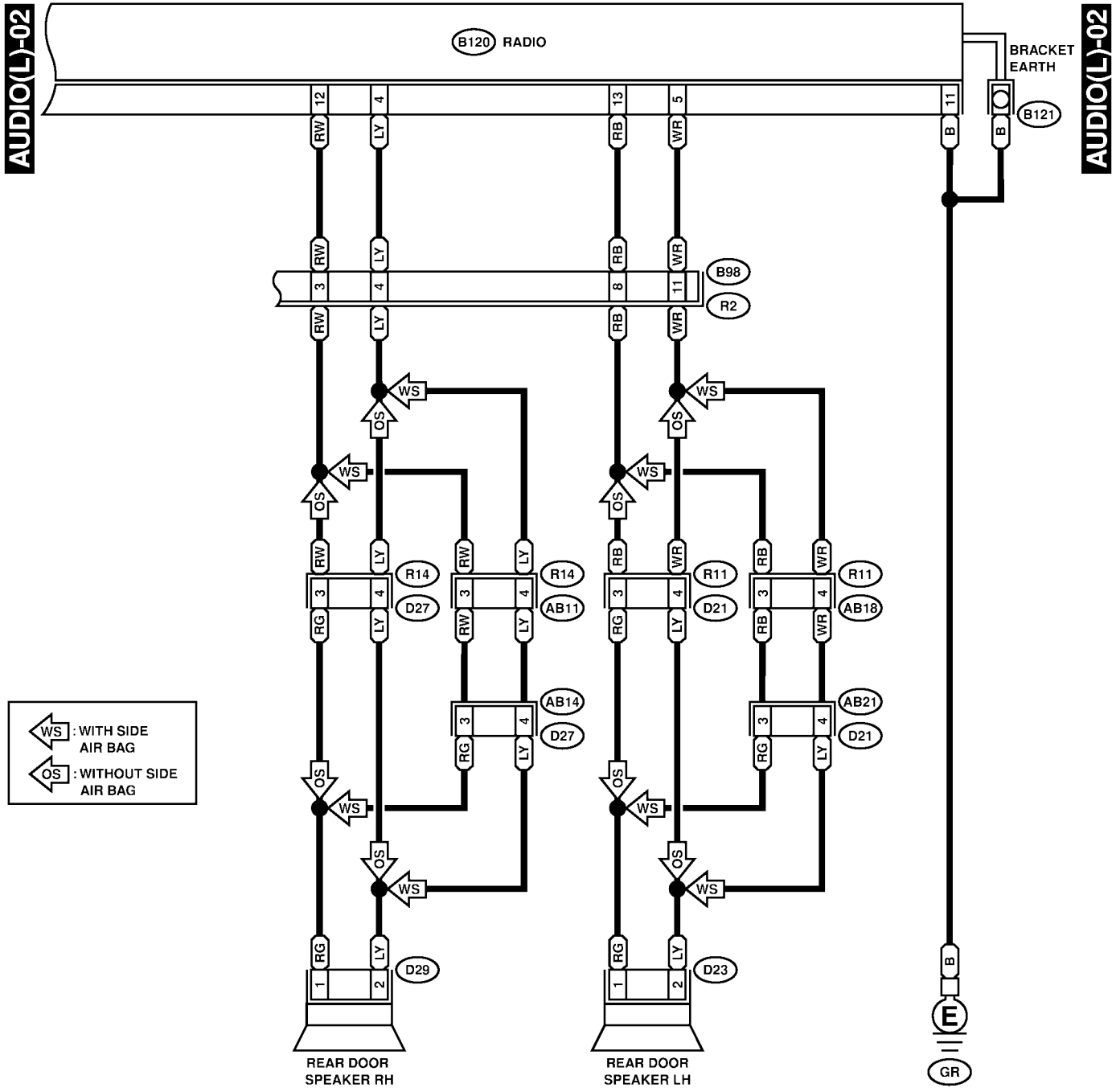
A: SCHEMATIC S901467A21

1. RADIO LHD MODEL S901467A2103

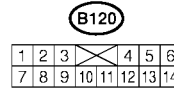
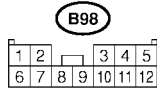


RADIO SYSTEM

Entertainment



: WITH SIDE AIR BAG
 : WITHOUT SIDE AIR BAG



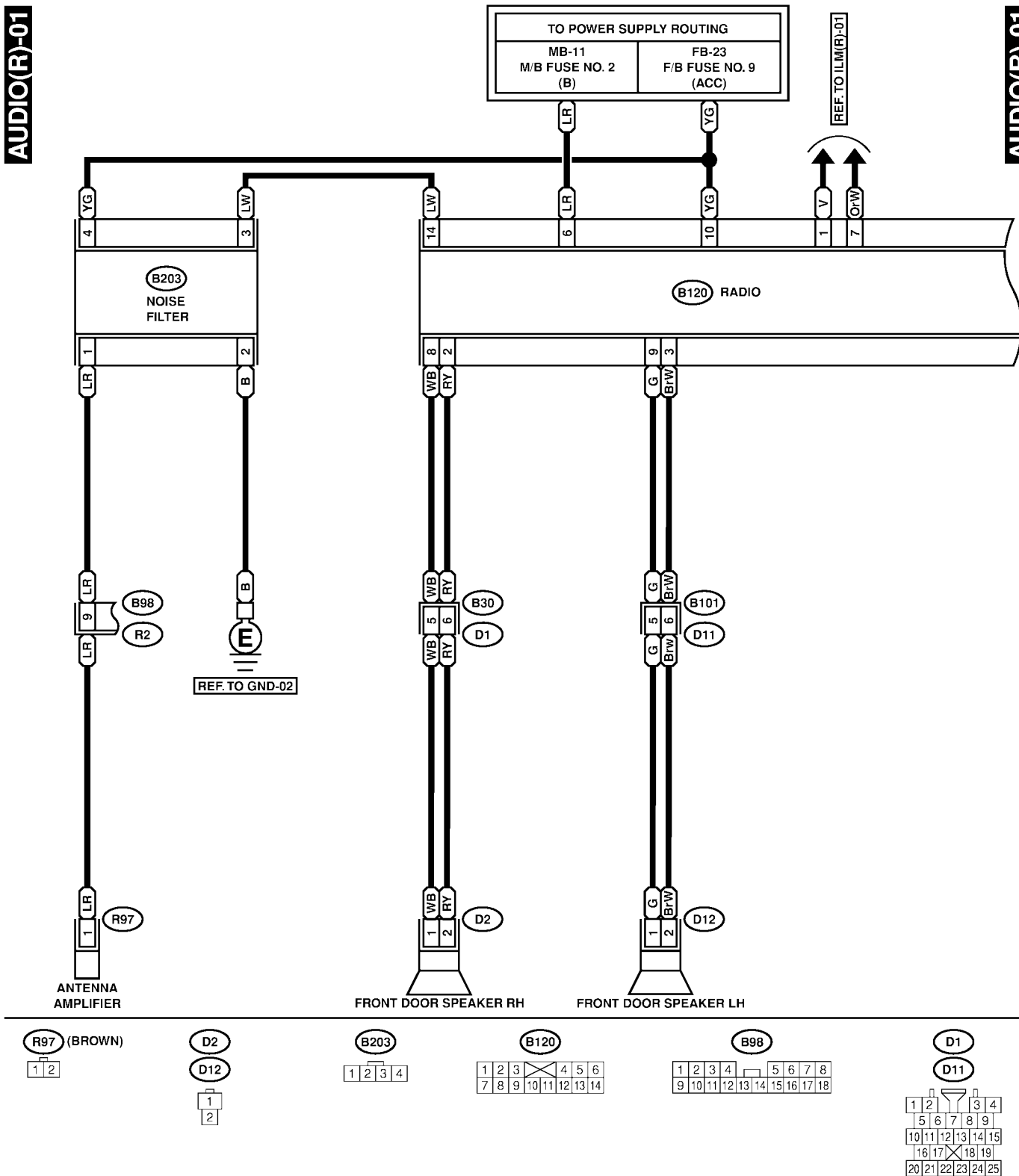
RADIO SYSTEM

Entertainment

2. RADIO RHD MODEL S901467A2104

AUDIO(R)-01

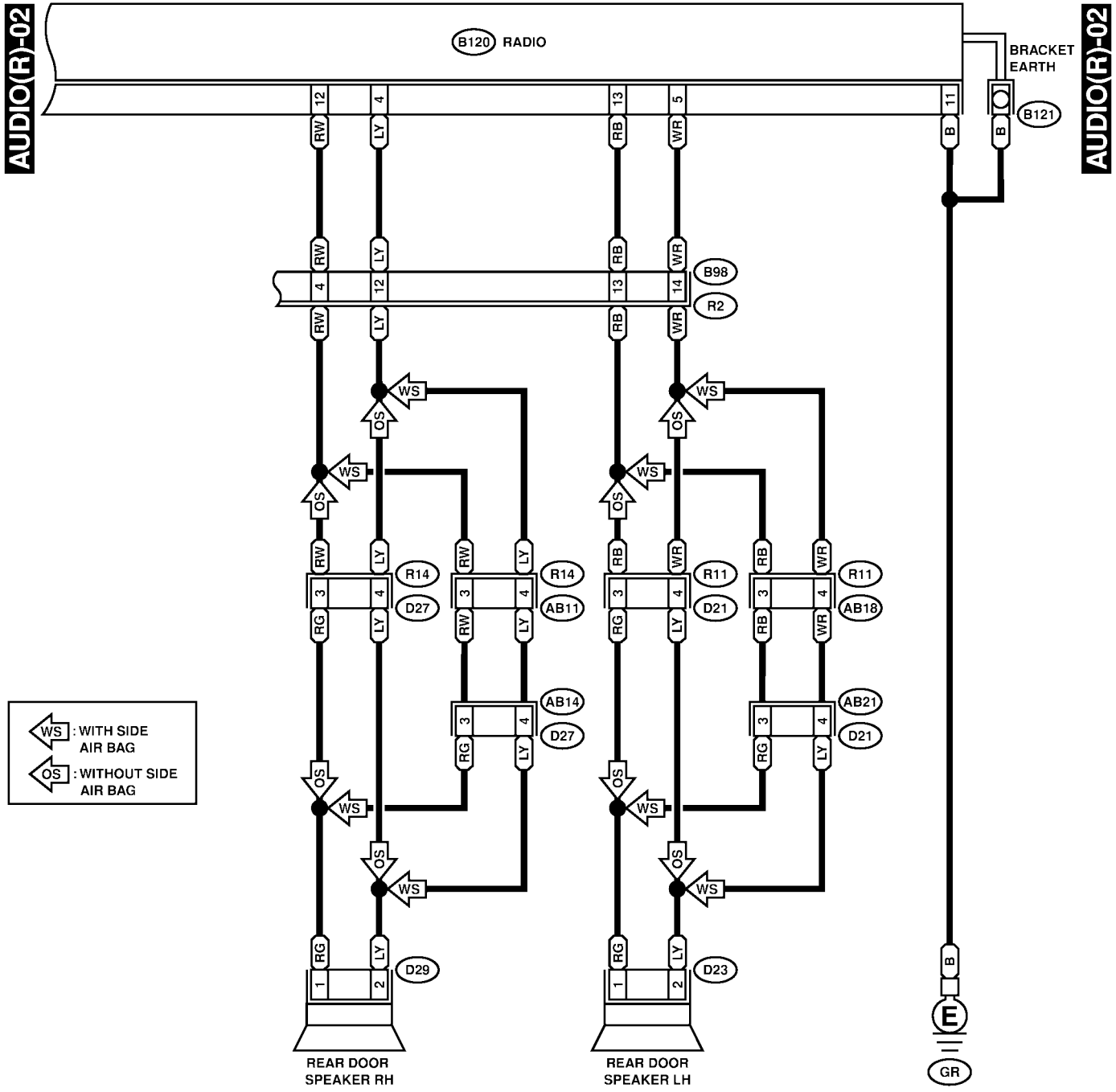
AUDIO(R)-01



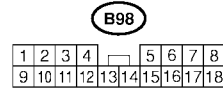
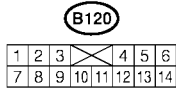
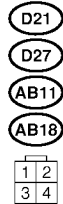
SR76-20A

RADIO SYSTEM

Entertainment



WS : WITH SIDE AIR BAG
 OS : WITHOUT SIDE AIR BAG



RADIO SYSTEM

Entertainment

B: INSPECTION S901467A10

Symptom	Repair order
No power coming in (No display and no sound from speakers)	(1) Check fuse and power supply for radio. (2) Check radio ground. (3) Remove radio for repair.
A specific speaker does not operate.	(1) Check speaker. (2) Check output circuit between radio and speaker.
Radio generates noise with engine running	(1) Check radio ground. (2) Check generator. (3) Check ignition coil. (4) Remove radio for repair.
AM and FM modes are weak or noisy	(1) Check antenna. (2) Check antenna amplifier. (3) Check radio ground. (4) Remove radio for repair.

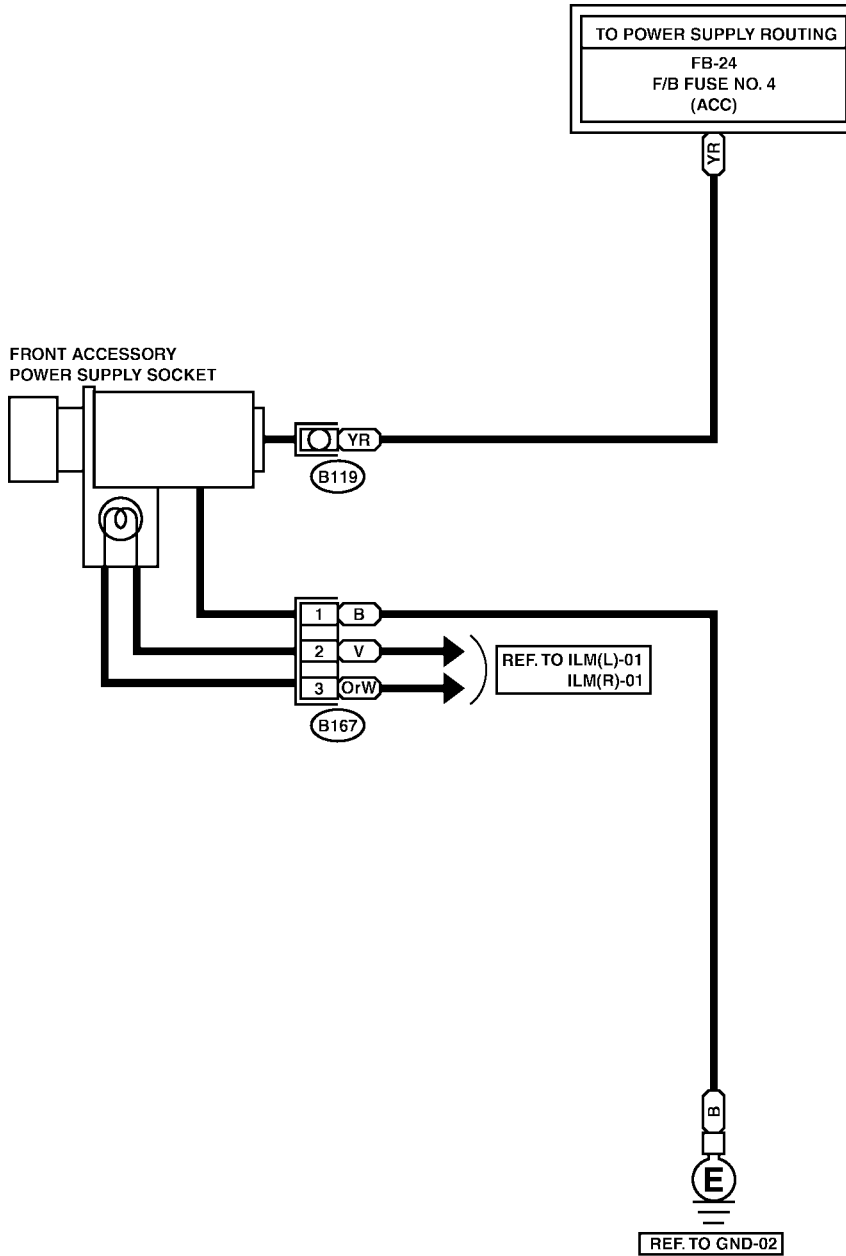
3. Cigarette Lighter System S901494

A: SCHEMATIC S901494A21

1. CIGARETTE LIGHTER S901494A2101

FAPS-01

FAPS-01



B167

1
2 3

ACCESSORY POWER SOCKET SYSTEM

Entertainment

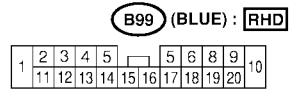
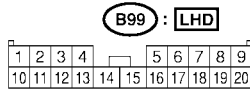
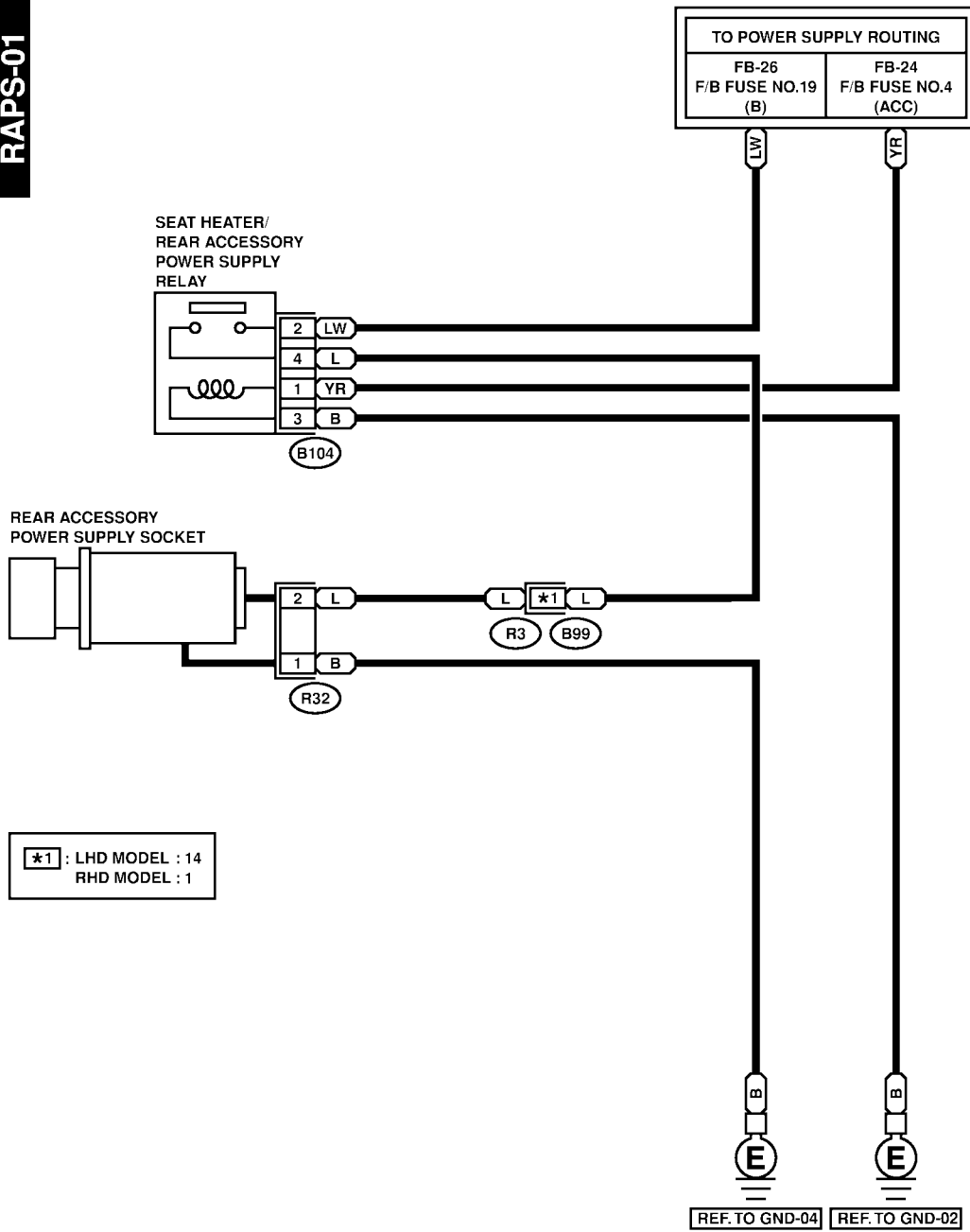
4. Accessory Power Socket System S901785

A: SCHEMATIC S901785A21

1. ACCESSORY POWER SOCKET S901785A2101

RAPS-01

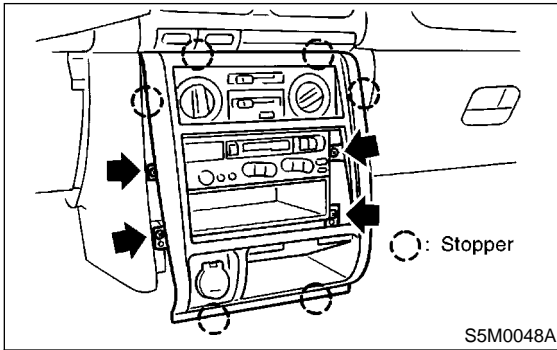
RAPS-01



5. Radio Body S901469

A: REMOVAL S901469A18

- 1) Remove console box. <Ref. to EI-30 REMOVAL, Console Box.>
- 2) Remove AT cover (AT model).
- 3) Remove center panel.
- 4) Remove fitting screws, and slightly pull radio out from center console.



- 5) Disconnect electric connectors and antenna feeder cord.

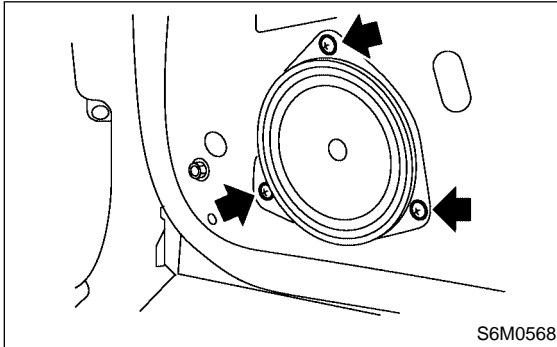
B: INSTALLATION S901469A11

Install in the reverse order of removal.

6. Front Speaker S901466

A: REMOVAL S901466A18

- 1) Remove front door trim. <Ref. to EI-26 REMOVAL, Front Door Trim.>
- 2) Remove front speaker mounting screws.



- 3) Disconnect harness connector and remove front speaker.

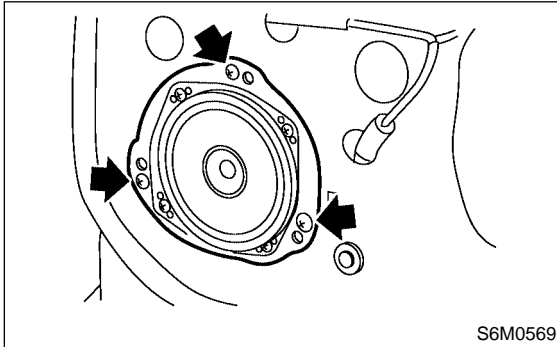
B: INSTALLATION S901466A11

Install in the reverse order of removal.

7. Rear Speaker S901470

A: REMOVAL S901470A18

- 1) Remove rear door trim. <Ref. to EI-27> REMOVAL, Rear Door Trim.
- 2) Remove rear speaker mounting screws.



- 3) Disconnect harness connector and remove rear speaker.

B: INSTALLATION S901470A11

Install in the reverse order of removal.

8. Antenna S901463

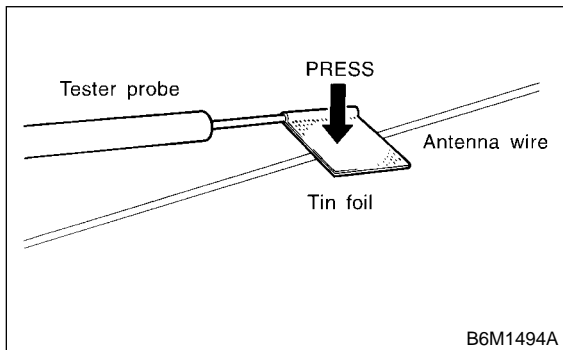
A: INSPECTION S901463A10

Check continuity between antenna terminal and each antenna wire.

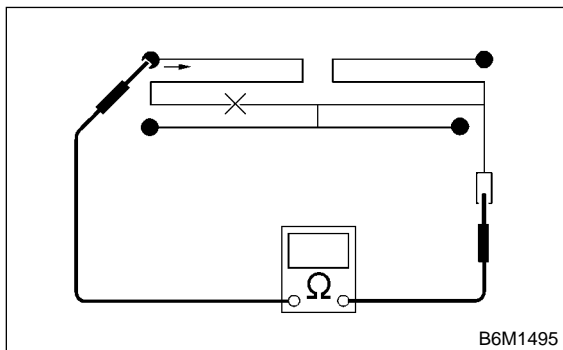
If an antenna wire is OK, continuity should exist. If an antenna wire is broken, no continuity should exist.

NOTE:

When checking continuity, wind a piece of tin foil around the tip of the tester probe and press the foil against the wire with your finger.

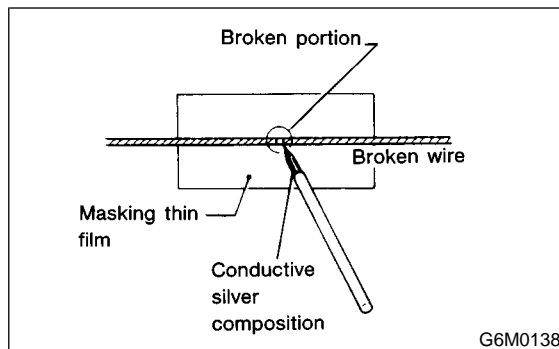


To locate the broken point, move the probe along the antenna wire.



B: REPAIR S901463A19

- 1) Clean antenna wire and the surrounding area with a cloth dampened by alcohol.
- 2) Paste a thin masking film on glass along the broken wire.
- 3) Deposit conductive silver composition (DUPONT NO. 4817) on the broken portion with a drawing pen.

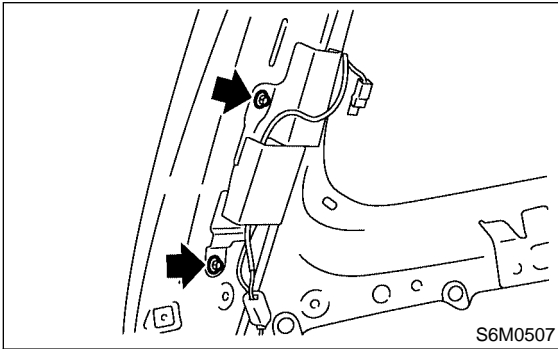


- 4) Dry out the deposited portion.
- 5) After repair has been completed, check repaired wire for continuity.

9. Antenna Amplifier S901460

A: REMOVAL S901460A18

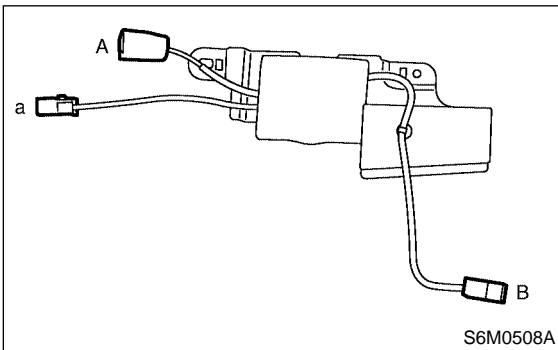
- 1) Remove rear quarter lower trim. <Ref. to EI-39 REMOVAL, Rear Quarter Trim.>
- 2) Disconnect harness connector and terminal.
- 3) Remove mounting screw and detach antenna amplifier.



B: INSTALLATION S901460A11

Install in the reverse order of removal.

C: INSPECTION S901460A10



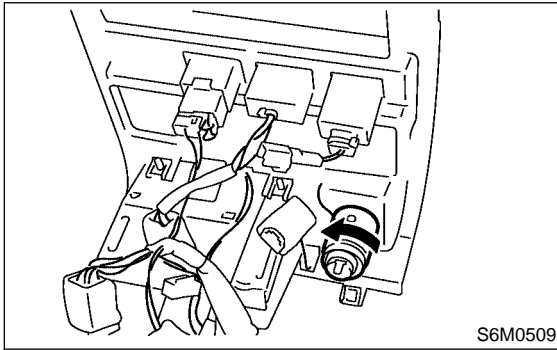
Measure resistance between terminal and amplifier body.

Tester connection	Resistance
A — Amplifier	More than 100 kΩ
B — Amplifier	More than 100 kΩ
a — Amplifier	More than 100 kΩ

10. Cigarette Lighter S901461

A: REMOVAL S901461A18

- 1) Remove center panel. <Ref. to ET-11 REMOVAL, Radio Body.>
- 2) Disconnect harness connectors and remove cigarette lighter.



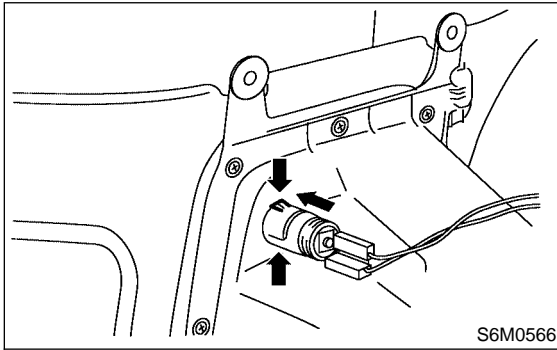
B: INSTALLATION S901461A11

Install in the reverse order of removal.

11. Accessory Power Socket S901786

A: REMOVAL S901786A18

- 1) Remove rear quarter lower trim. <Ref. to EI-39, REMOVAL, Rear Quarter Trim.>
- 2) Disconnect harness connectors and remove accessory power socket.



B: INSTALLATION S901786A11

Install in the reverse order of removal.

ACCESSORY POWER SOCKET

Entertainment

MEMO: