

BODY SECTION

This service manual has been prepared to provide SUBARU service personnel with the necessary information and data for the correct maintenance and repair of SUBARU vehicles.

This manual includes the procedures for maintenance, disassembling, reassembling, inspection and adjustment of components and diagnostics for guidance of experienced mechanics.

Please peruse and utilize this manual fully to ensure complete repair work for satisfying our customers by keeping their vehicle in optimum condition. When replacement of parts during repair work is needed, be sure to use SUBARU genuine parts.

All information, illustration and specifications contained in this manual are based on the latest product information available at the time of publication approval.

FUJI HEAVY INDUSTRIES LTD.

**HVAC SYSTEM
(HEATER, VENTILATOR AND A/C) AC**

AIRBAG SYSTEM AB

SEAT BELT SYSTEM SB

LIGHTING SYSTEM LI

WIPER AND WASHER SYSTEMS WW

ENTERTAINMENT ET

COMMUNICATION SYSTEM COM

GLASS/WINDOWS/MIRRORS GW

BODY STRUCTURE BS

INSTRUMENTATION/DRIVER INFO IDI

SEATS SE

SECURITY AND LOCKS SL

**SUNROOF/T-TOP/CONVERTIBLE TOP
(SUNROOF) SR**

EXTERIOR/INTERIOR TRIM EI

EXTERIOR BODY PANELS EB

CRUISE CONTROL SYSTEM CC

GLASS/WINDOWS/MIRRORS

GW

	Page
1. General Description.....	2
2. Power Window System	9
3. Rear Window Defogger System.....	19
4. Windshield Wiper Deicer System.....	23
5. Remote Control Mirror System	25
6. Front Door Glass.....	28
7. Front Regulator and Motor Assembly	31
8. Rear Door Glass	32
9. Rear Regulator and Motor Assembly	34
10. Windshield Glass.....	35
11. Rear Gate Glass	38
12. Rear Quarter Glass	39
13. Roof Window Glass.....	41
14. Inner Rearview Mirror.....	42
15. Power Window Control Switch	43
16. Rear Window Defogger Switch	46
17. Rear Window Defogger.....	48
18. Outer Mirror Assembly	49
19. Outer Mirror	51
20. Remote Control Mirror Switch.....	52
21. Wiper Deicer.....	54
22. Wiper Deicer Switch.....	55

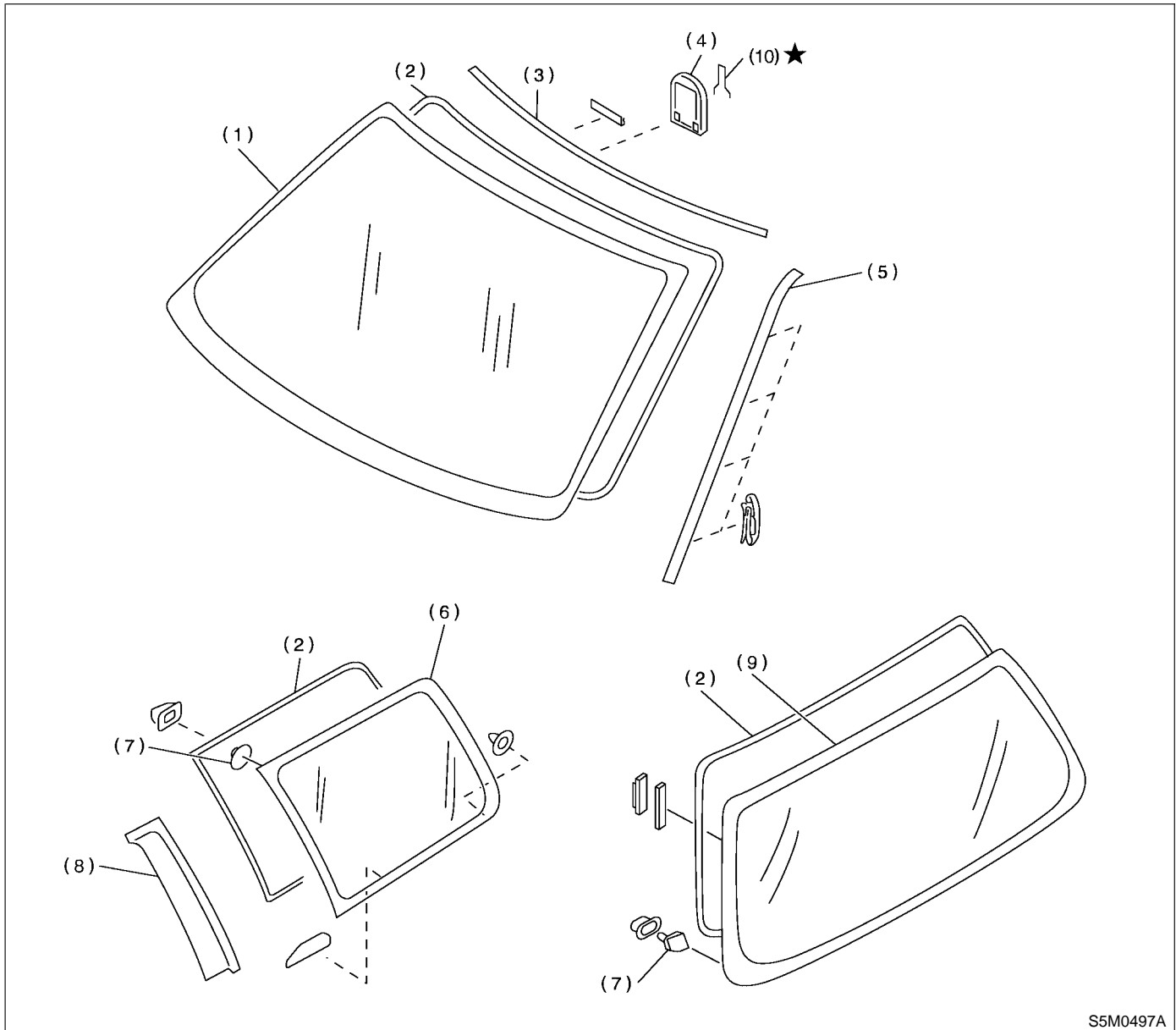
GENERAL DESCRIPTION

Glass/Windows/Mirrors

1. General Description S905001

A: COMPONENT S905001A05

1. FIXED GLASS S905001A0506



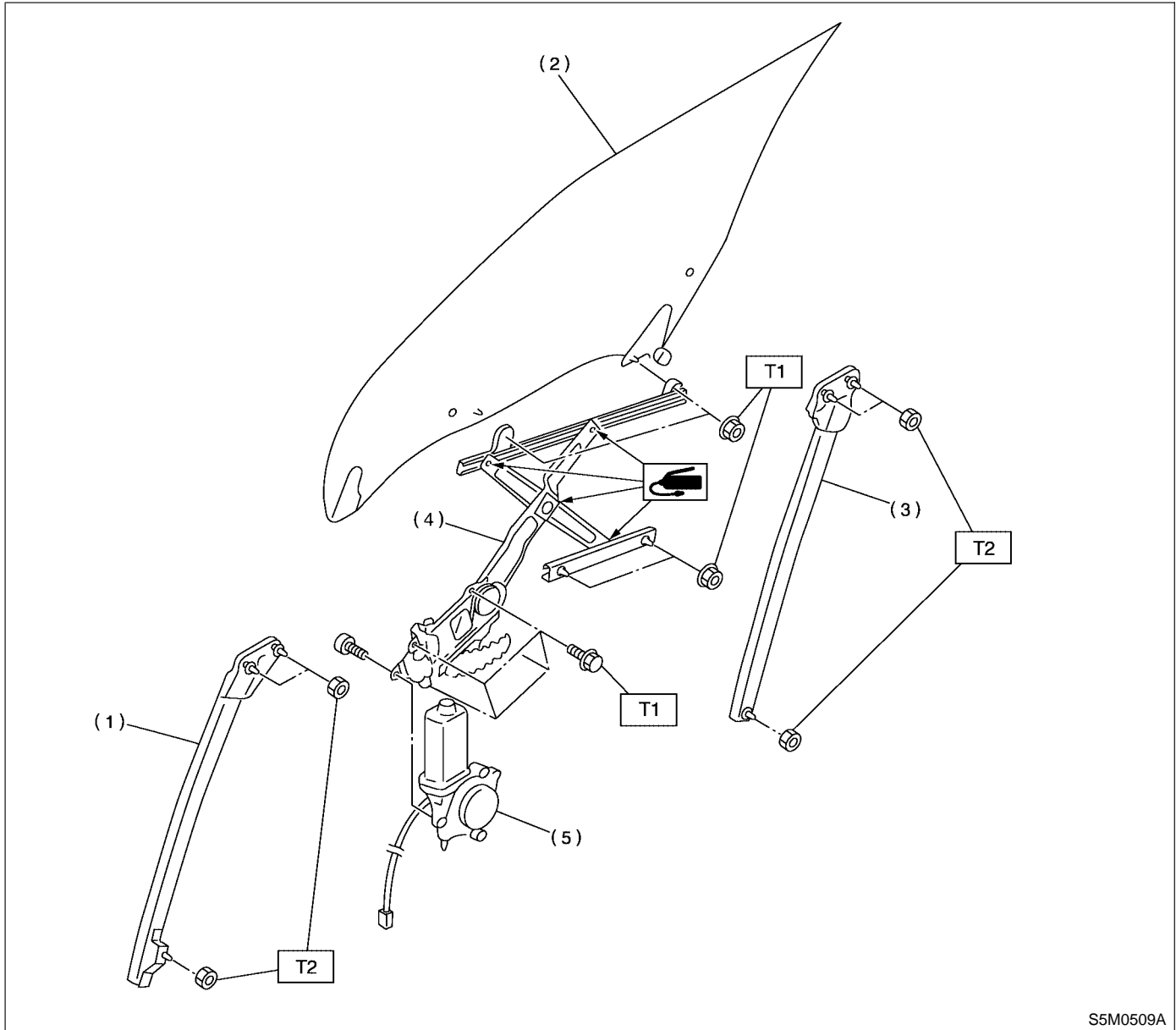
S5M0497A

- | | | |
|---------------------------|--------------------------|---------------------|
| (1) Windshield glass | (5) Side molding | (9) Rear gate glass |
| (2) Dam rubber | (6) Rear quarter glass | (10) Spring |
| (3) Molding | (7) Locate pin | |
| (4) Rearview mirror mount | (8) Rear quarter garnish | |

GENERAL DESCRIPTION

Glass/Windows/Mirrors

2. FRONT DOOR GLASS S905001A0503



- (1) Door sash (Front)
- (2) Glass
- (3) Door sash (Rear)
- (4) Regulator ASSY

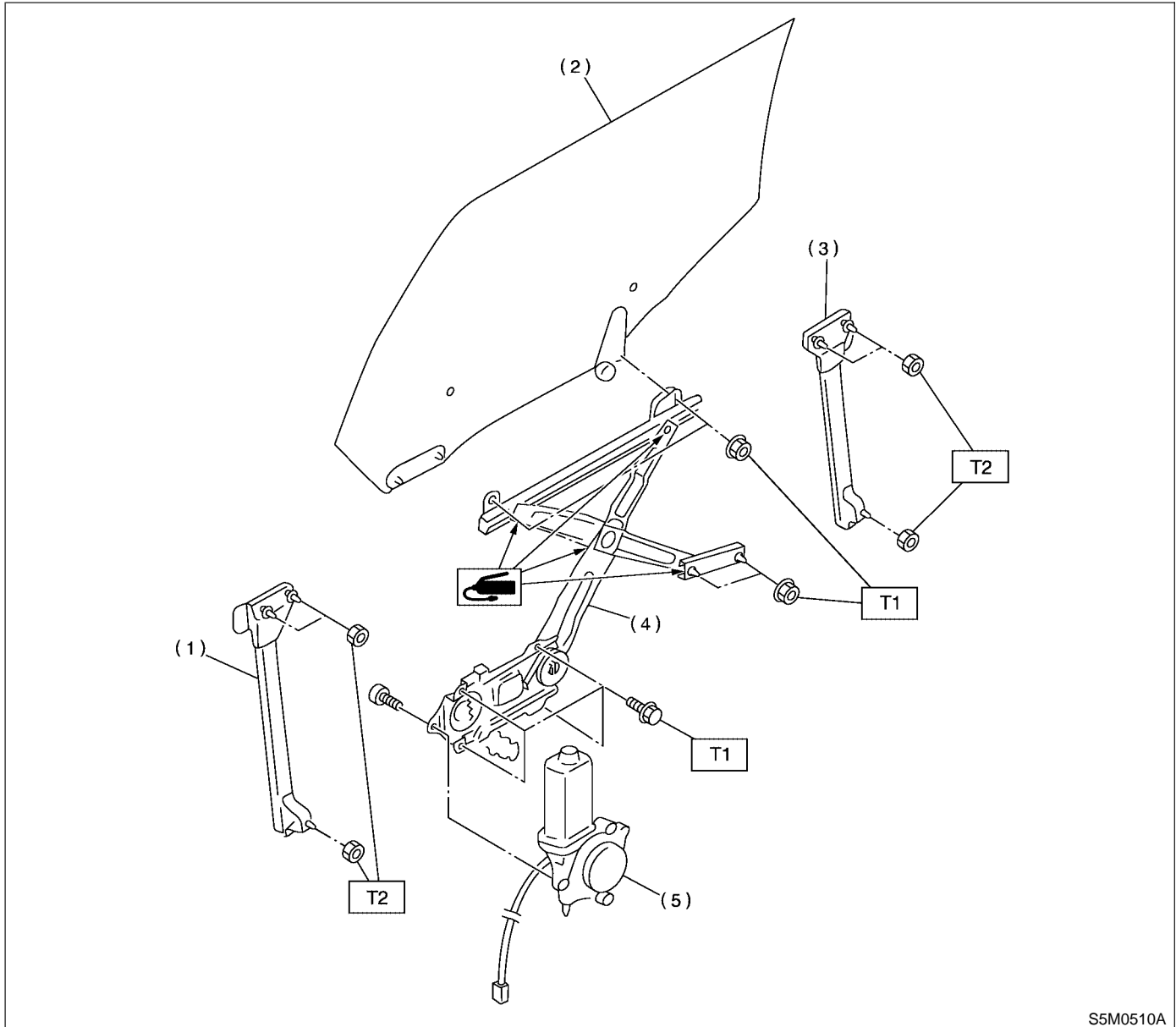
- (5) Motor ASSY

Tightening torque: N·m (kgf·m, ft·lb)

T1: 7.35 (0.75, 5.4)

T2: 14 (1.4, 10.1)

3. REAR DOOR GLASS S905001A0504



S5M0510A

- (1) Door sash (Front)
- (2) Glass
- (3) Door sash (Rear)
- (4) Regulator ASSY
- (5) Motor ASSY

Tightening torque: N·m (kgf·m, ft·lb)

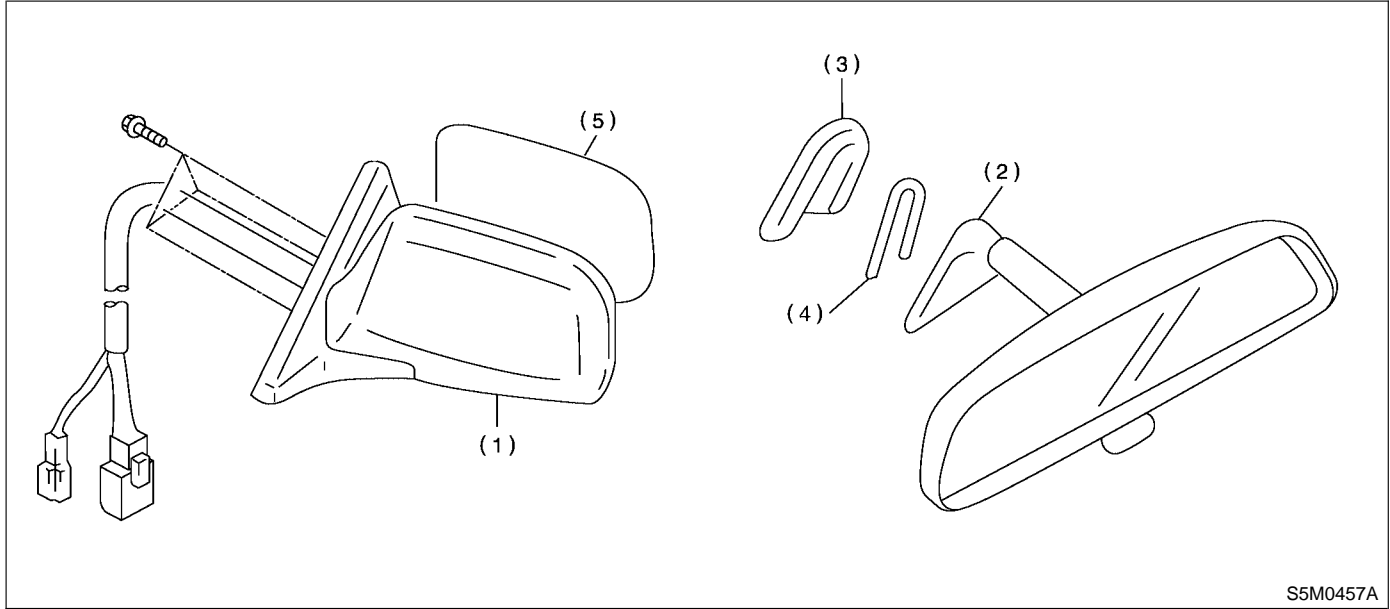
T1: 7.35 (0.75, 5.4)

T2: 14 (1.4, 10.1)

GENERAL DESCRIPTION

Glass/Windows/Mirrors

4. MIRRORS S905001A0505



- (1) Outer mirror
- (2) Inner rearview mirror

- (3) Mount
- (4) Spring

- (5) Mirror

B: CAUTION S905001A03

- When electrical connectors are disconnected, always conduct an operational check after connecting them again.
- Avoid impact and damage to the glass.

GENERAL DESCRIPTION

Glass/Windows/Mirrors

C: PREPARATION TOOL S905001A17

TOOL NAME	REMARKS
Circuit Tester	Used for checking voltage and continuity.
Piano Wire	Used for window glass removal.
Windshield Knife	Used for window glass removal.

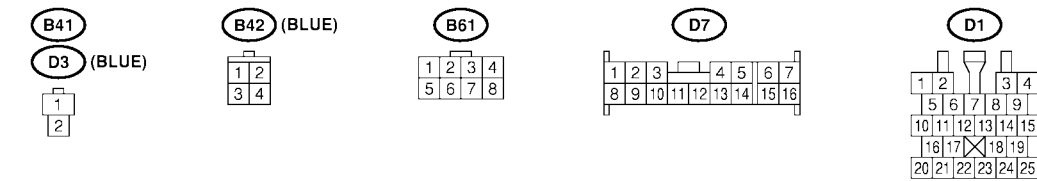
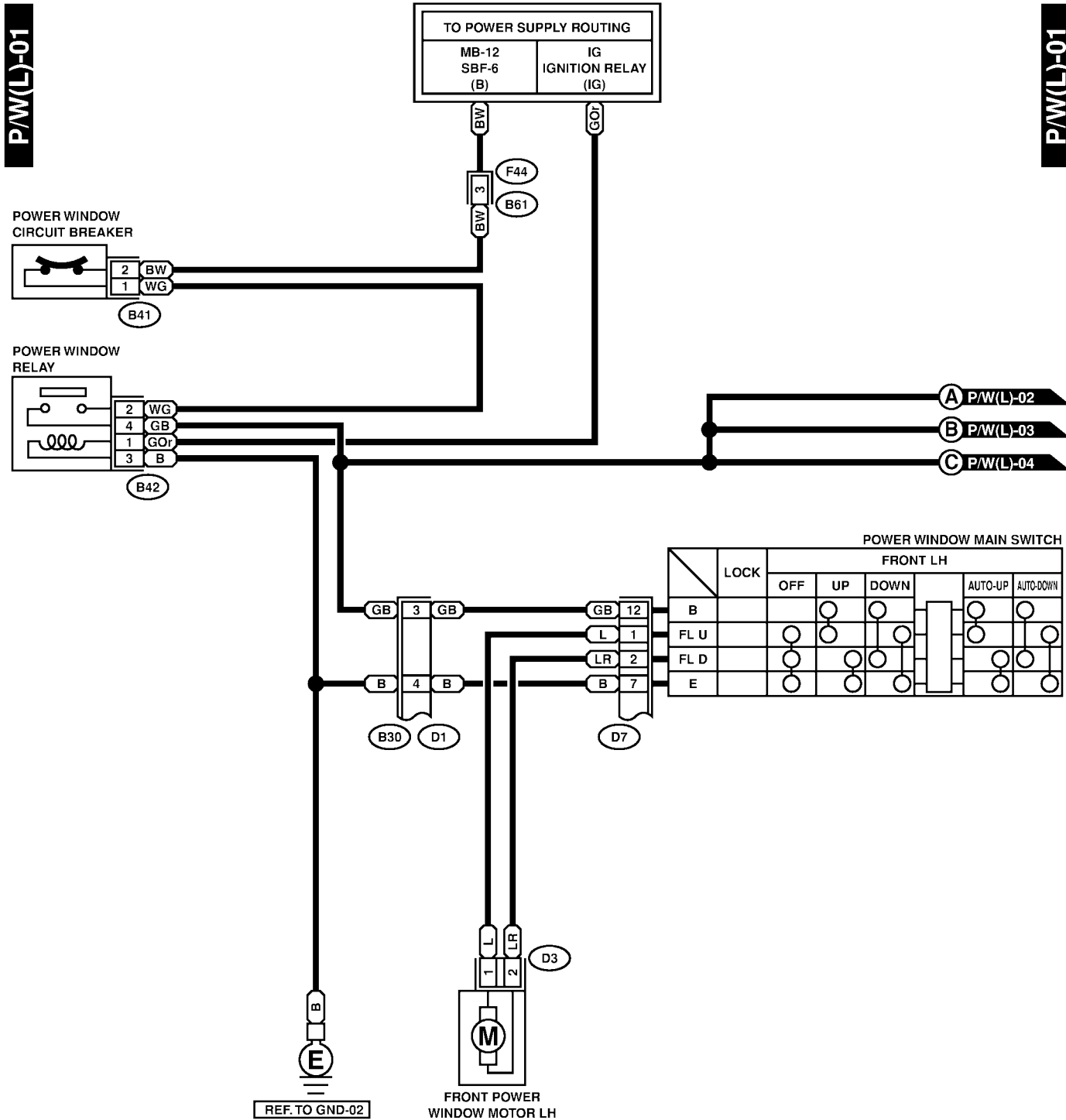
2. Power Window System S905456

A: SCHEMATIC S905456A21

POWER WINDOW SYSTEM

Glass/Windows/Mirrors

1. POWER WINDOW LHD MODEL S905456A2.101

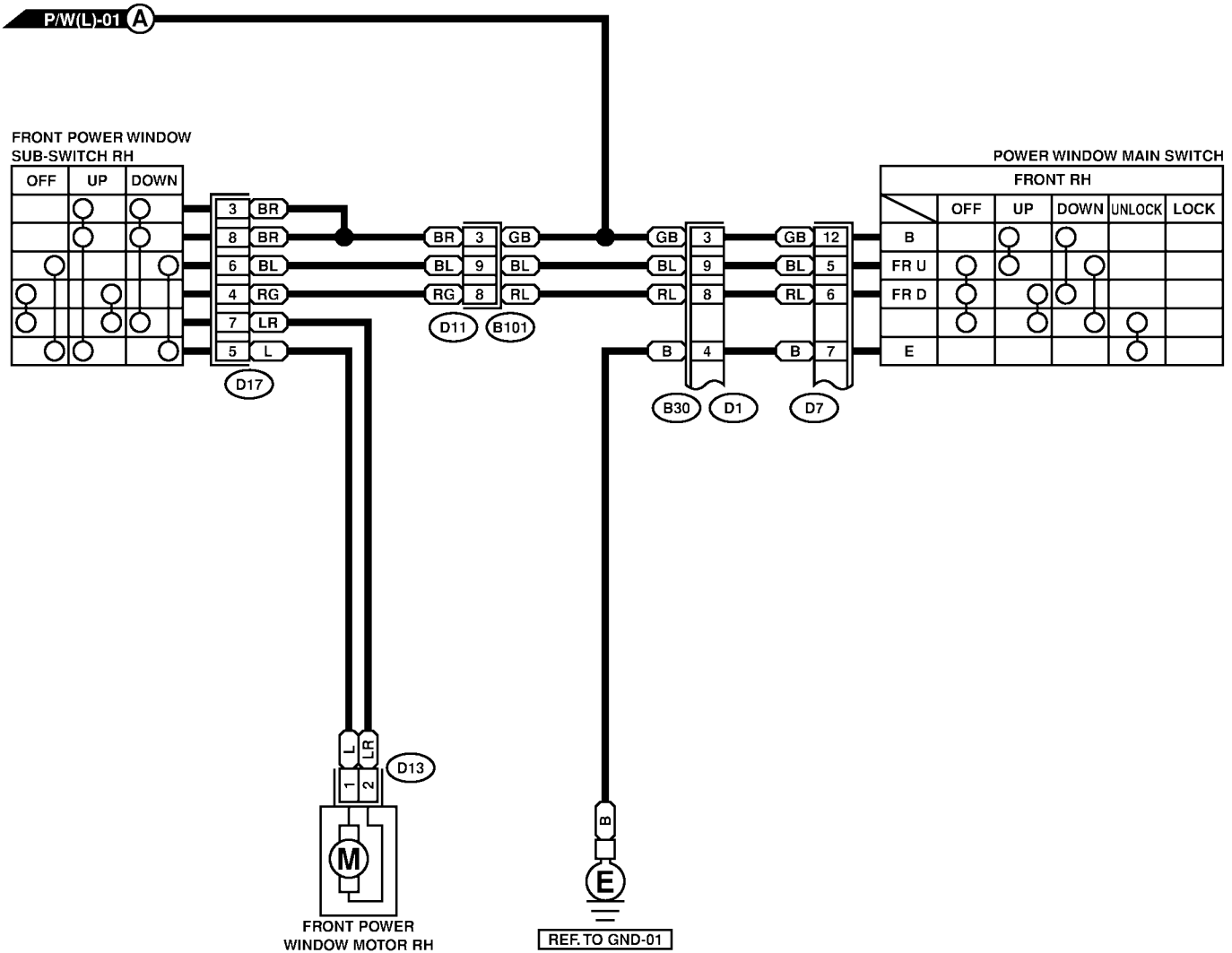


POWER WINDOW SYSTEM

Glass/Windows/Mirrors

P/W(L)-02

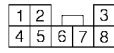
P/W(L)-02



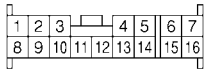
D13 (BLUE)



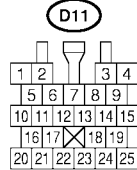
D17



D7



D1

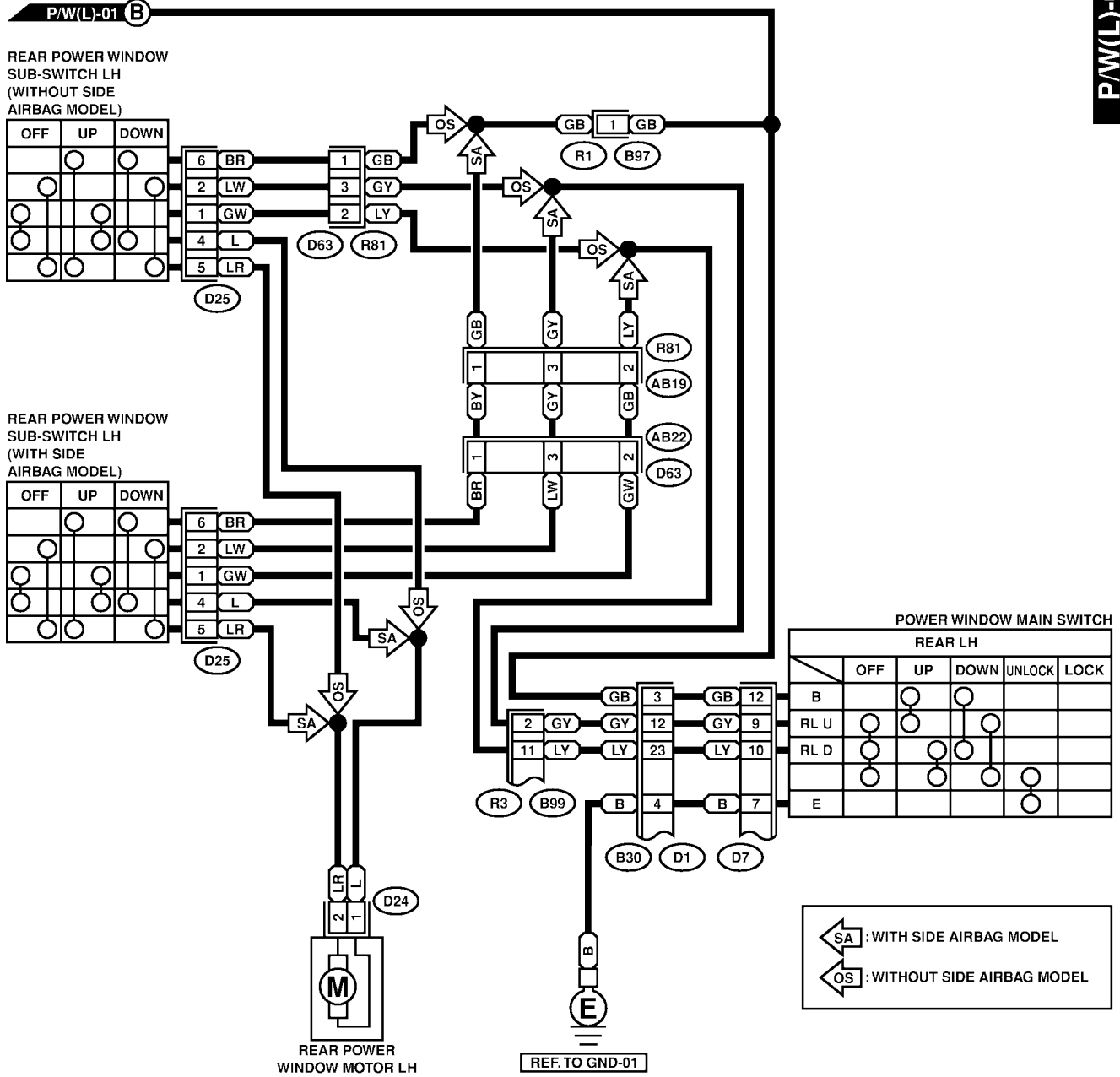


POWER WINDOW SYSTEM

Glass/Windows/Mirrors

P/W(L)-03

P/W(L)-03



D24 (BLUE)



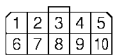
D63



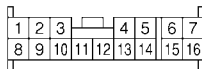
D25



B97



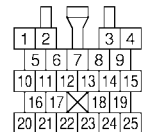
D7



B99



D1

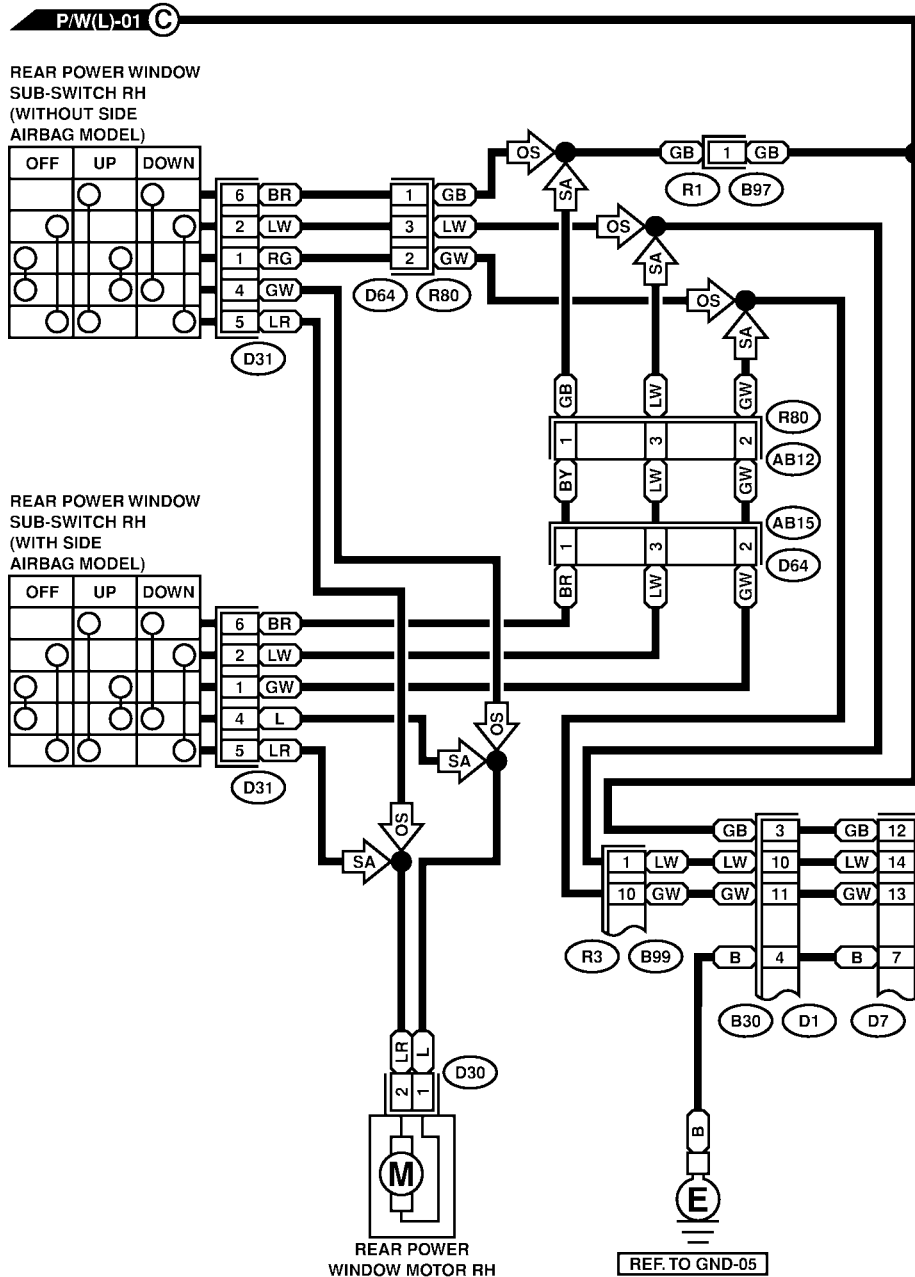


POWER WINDOW SYSTEM

Glass/Windows/Mirrors

P/W(L)-04

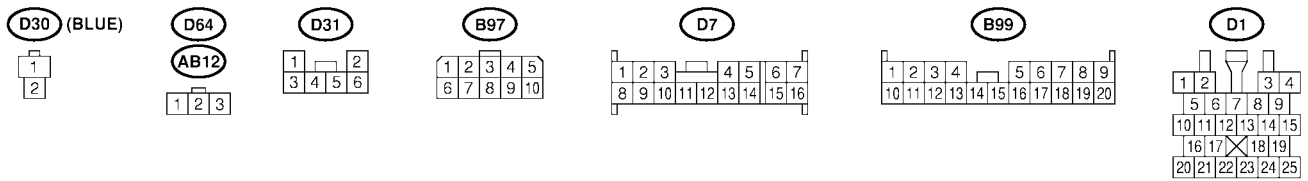
P/W(L)-04



POWER WINDOW MAIN SWITCH

		REAR RH				
		OFF	UP	DOWN	UNLOCK	LOCK
B			○	○		
RR U		○		○		
RR D		○	○	○		
E					○	

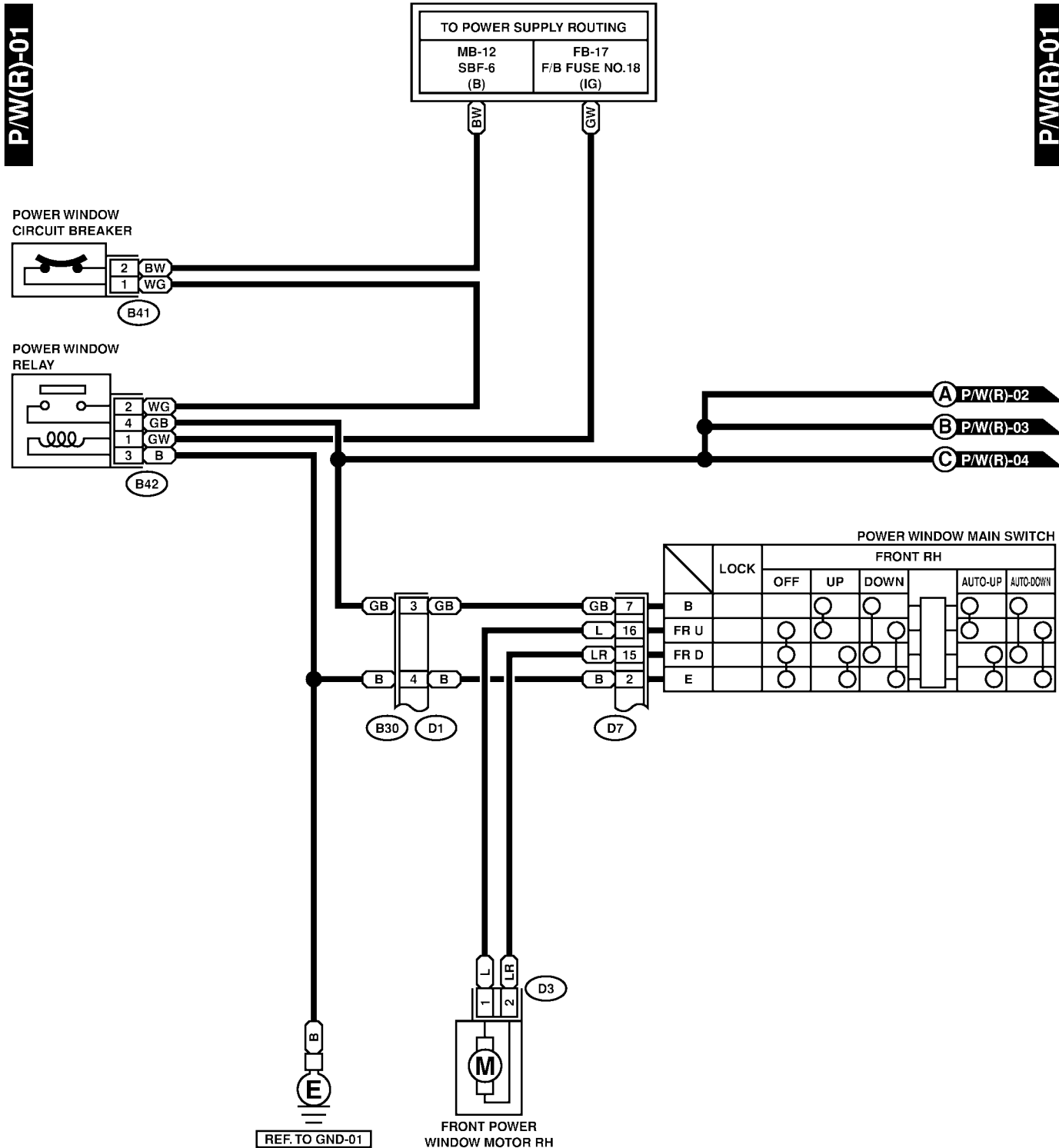
SA : WITH SIDE AIRBAG MODEL
 OS : WITHOUT SIDE AIRBAG MODEL



POWER WINDOW SYSTEM

Glass/Windows/Mirrors

2. POWER WINDOW RHD MODEL S905456A2102



B41

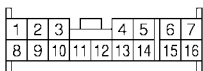
D3 (BLUE)



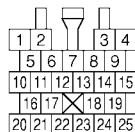
B42 (BLUE)



D7



D1

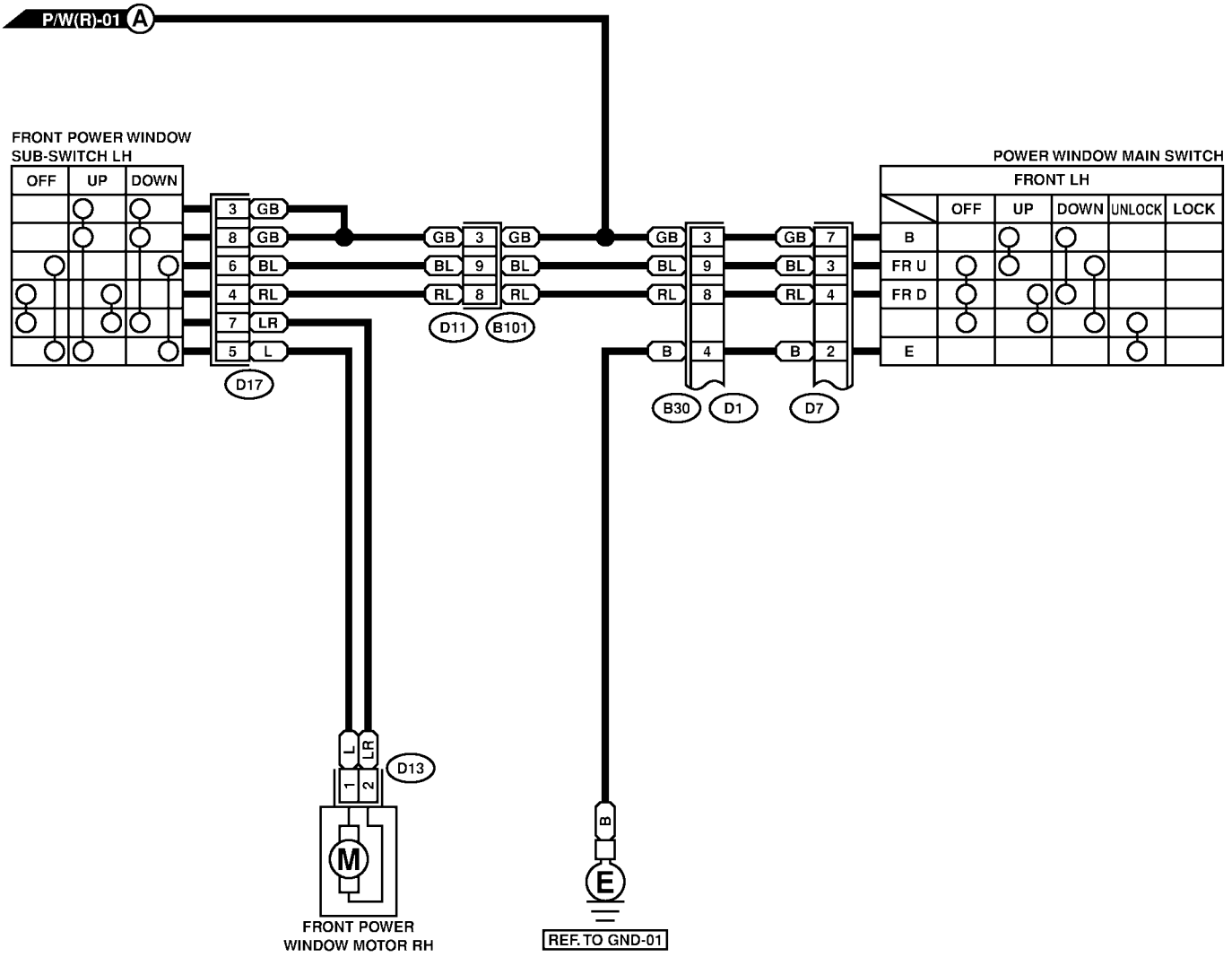


POWER WINDOW SYSTEM

Glass/Windows/Mirrors

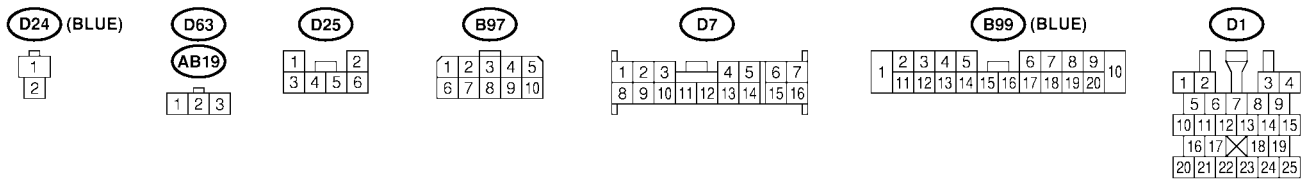
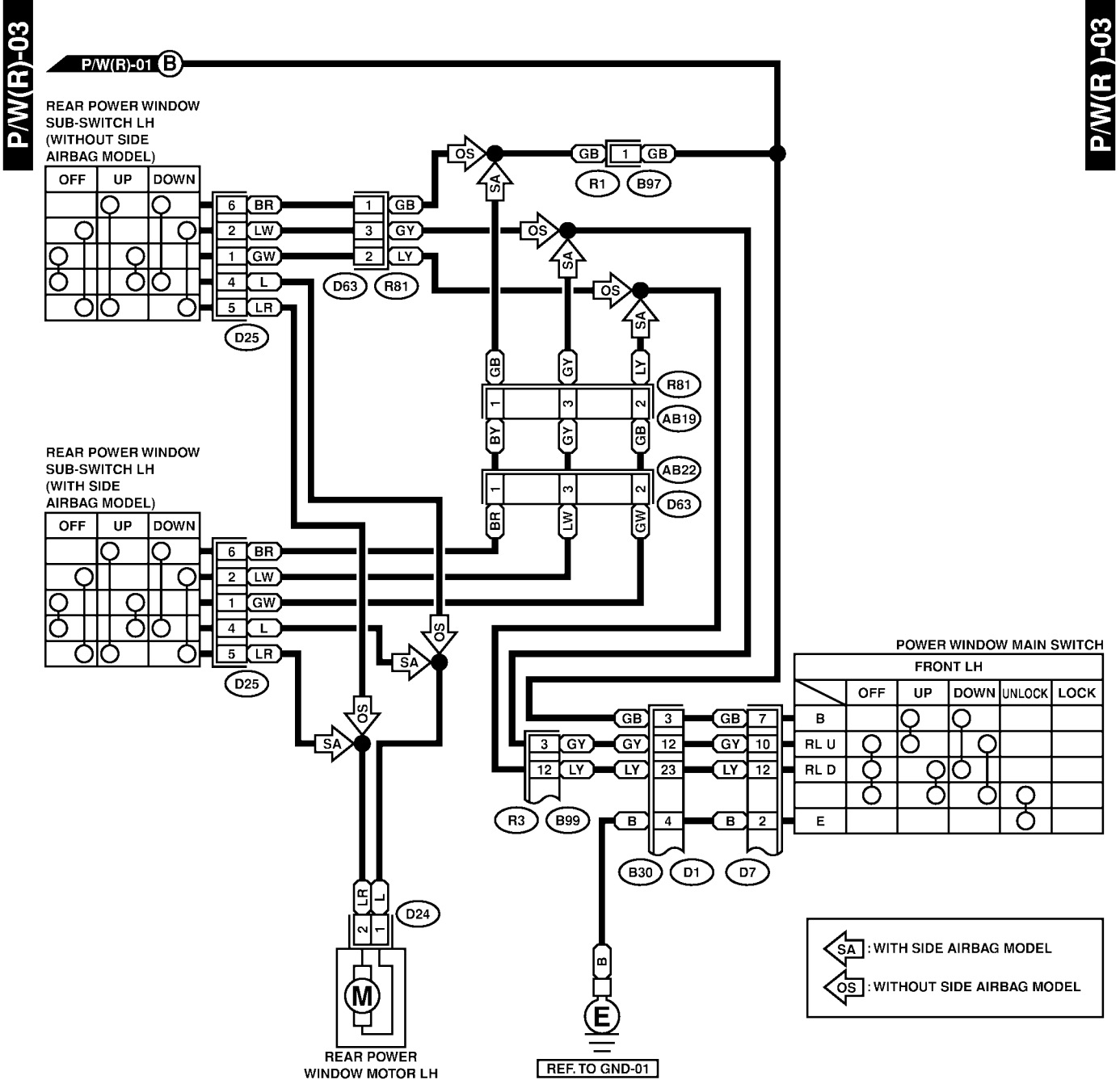
P/W(R)-02

P/W(R)-02



POWER WINDOW SYSTEM

Glass/Windows/Mirrors

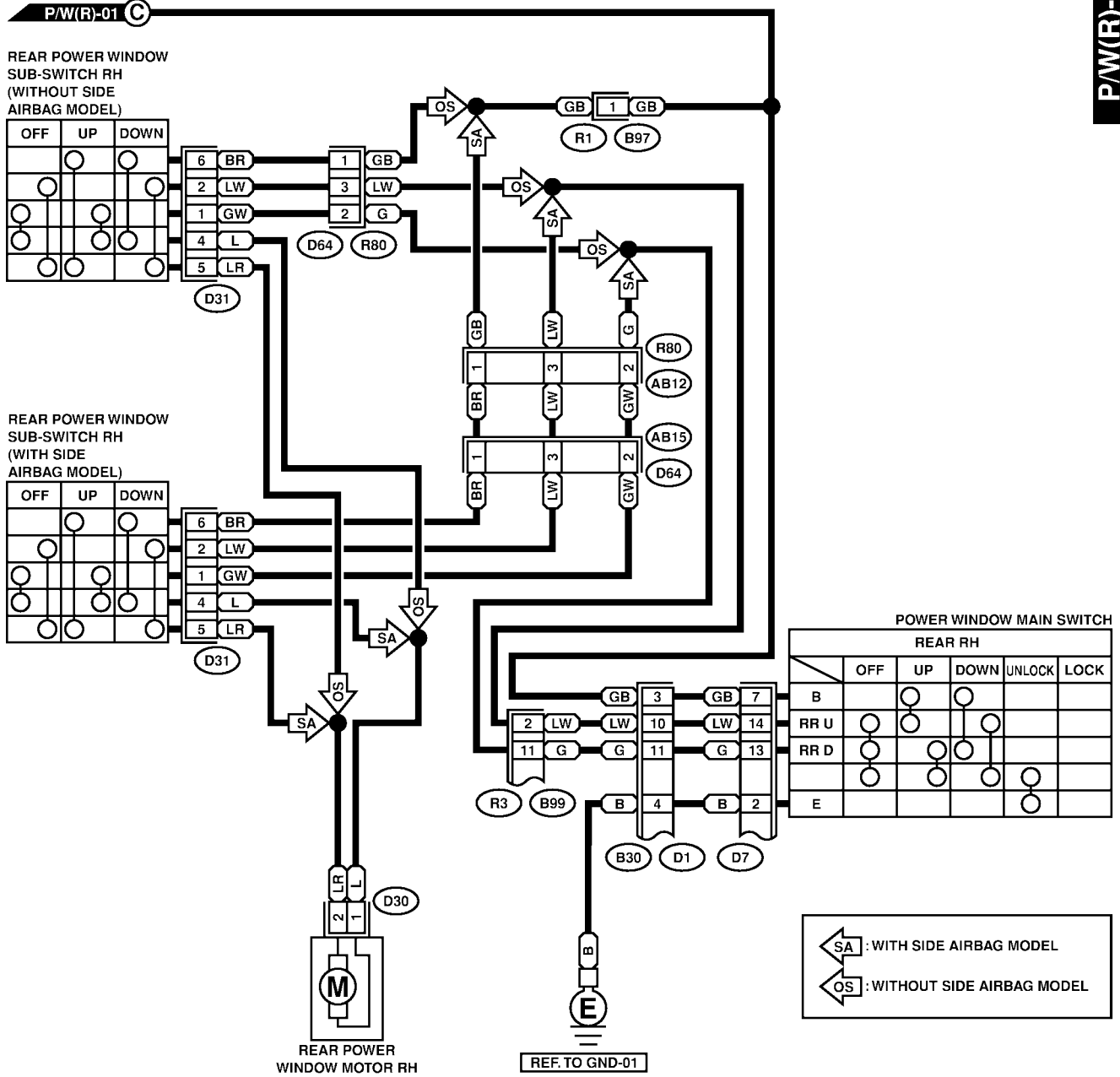


POWER WINDOW SYSTEM

Glass/Windows/Mirrors

P/W(R)-04

P/W(R)-04



D30 (BLUE)



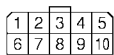
D64



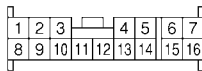
D31



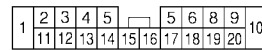
B97



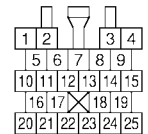
D7



B99 (BLUE)



D1



POWER WINDOW SYSTEM

Glass/Windows/Mirrors

B: INSPECTION S905456A10

Symptom	Repair order
All power windows does not operate.	(1) Fuse (SBF-6) (F/B No. 18) (2) Power window circuit breaker (3) Power window relay (4) Wire harness
One window does not operate.	(1) Power window main switch (2) Power window sub switch (3) Power window motor (4) Wire harness
"Window Lock" does not operate.	(1) Power window main switch

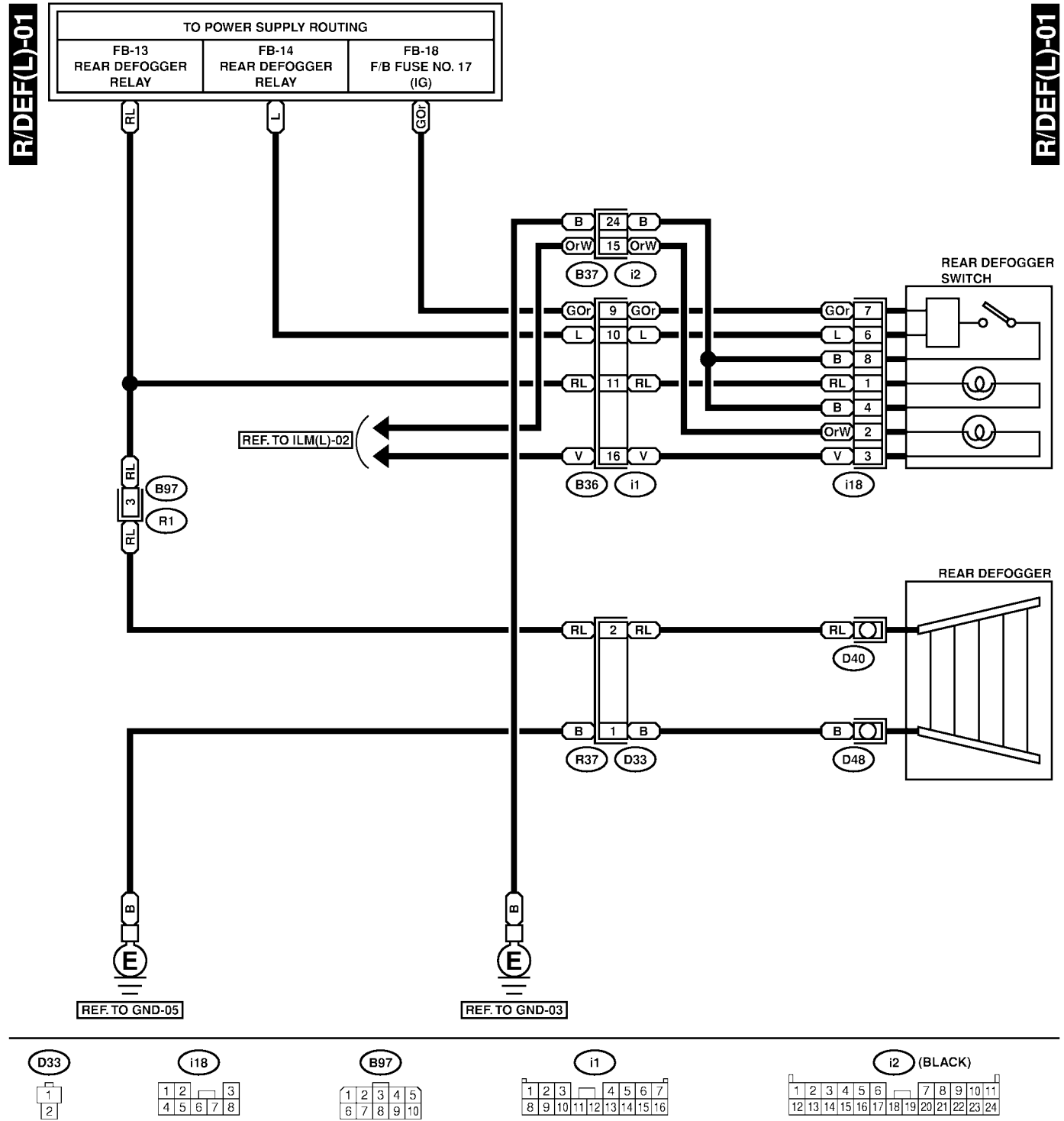
3. Rear Window Defogger System S905455

A: SCHEMATIC S905455A21

REAR WINDOW DEFOGGER SYSTEM

Glass/Windows/Mirrors

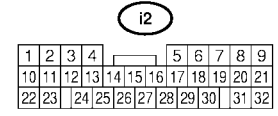
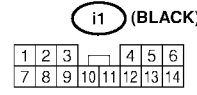
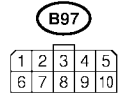
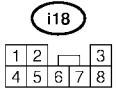
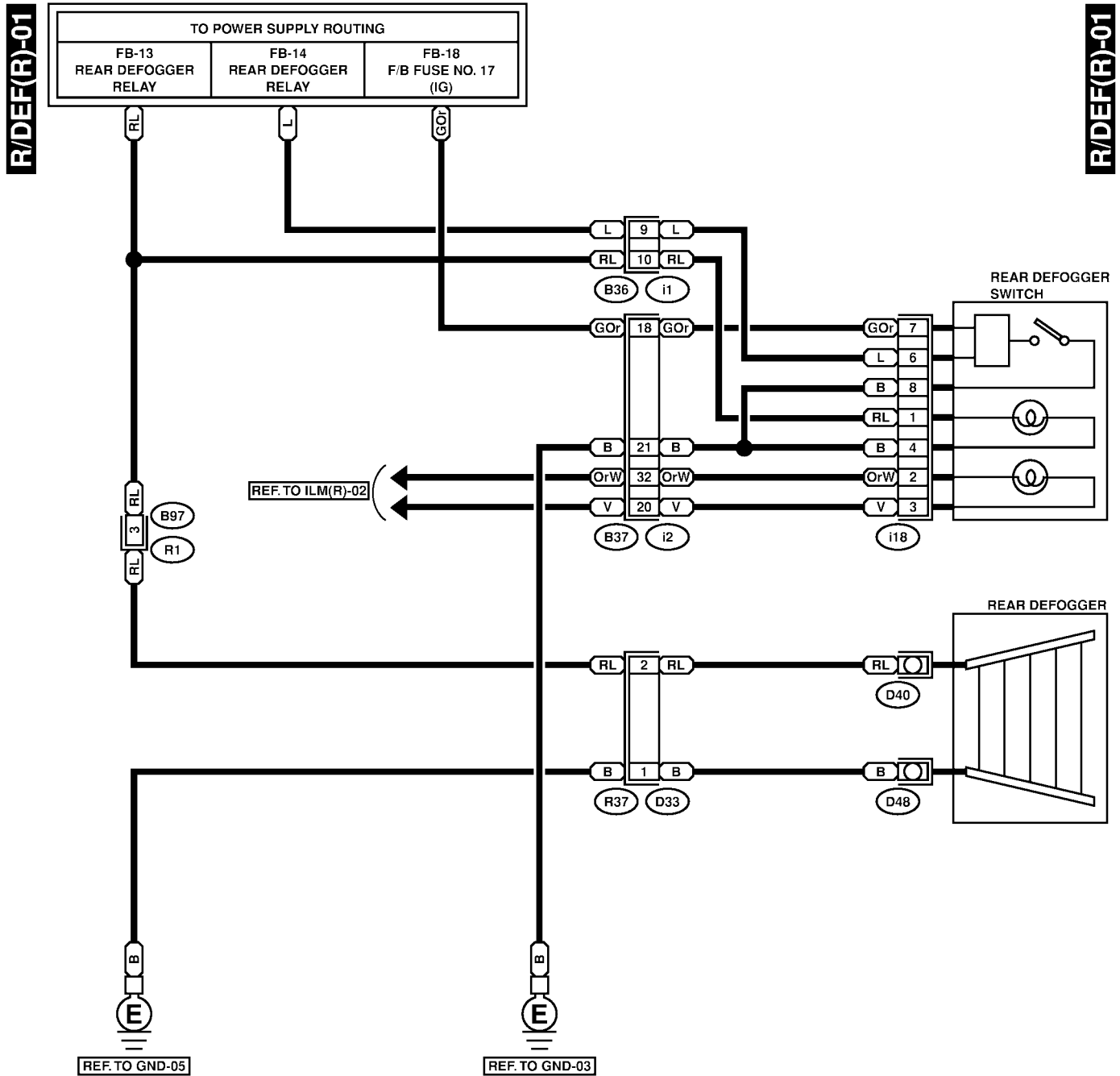
1. REAR WINDOW DEFOGGER LHD MODEL S905455A2102



REAR WINDOW DEFOGGER SYSTEM

Glass/Windows/Mirrors

2. REAR WINDOW DEFOGGER RHD MODEL S905455A2103



REAR WINDOW DEFOGGER SYSTEM

Glass/Windows/Mirrors

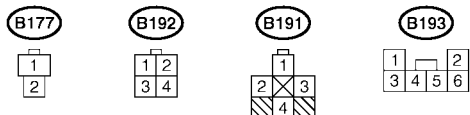
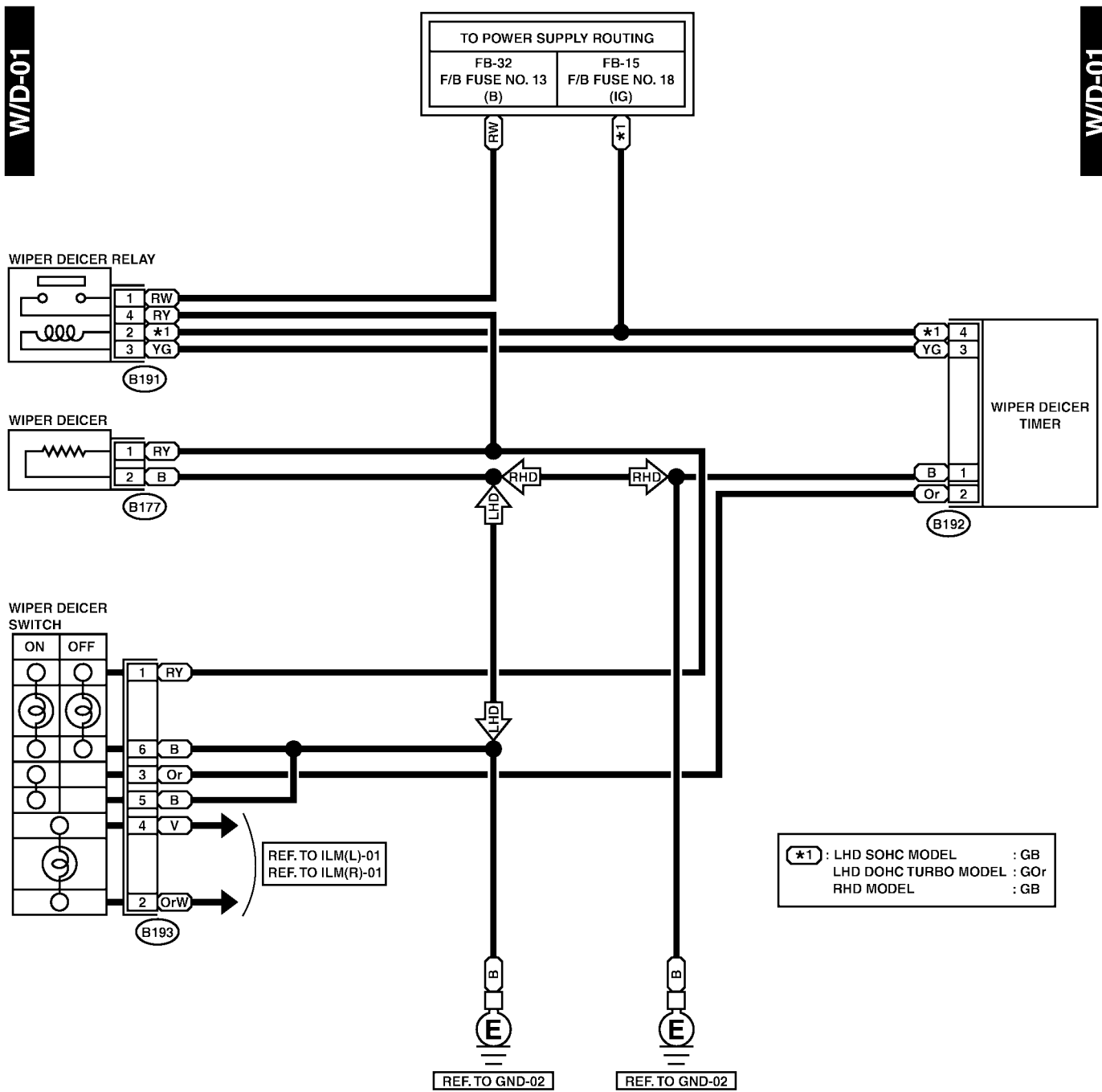
B: INSPECTION S905455A10

Symptom	Repair order
Rear window defogger does not operate.	(1) Fuse (M/B No. 1) (2) Rear defogger relay (3) Defogger switch (4) Rear defogger condenser (5) Deffogger wire (6) Wire harness

4. Windshield Wiper Deicer System S905457

A: SCHEMATIC S905457A21

1. WINDSHIELD WIPER DEICER S905457A2101



WINDSHIELD WIPER DEICER SYSTEM

Glass/Windows/Mirrors

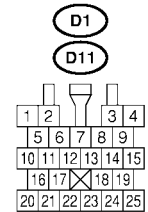
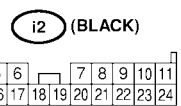
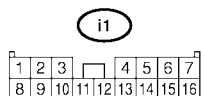
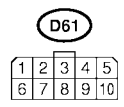
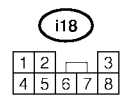
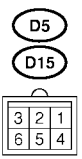
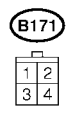
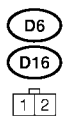
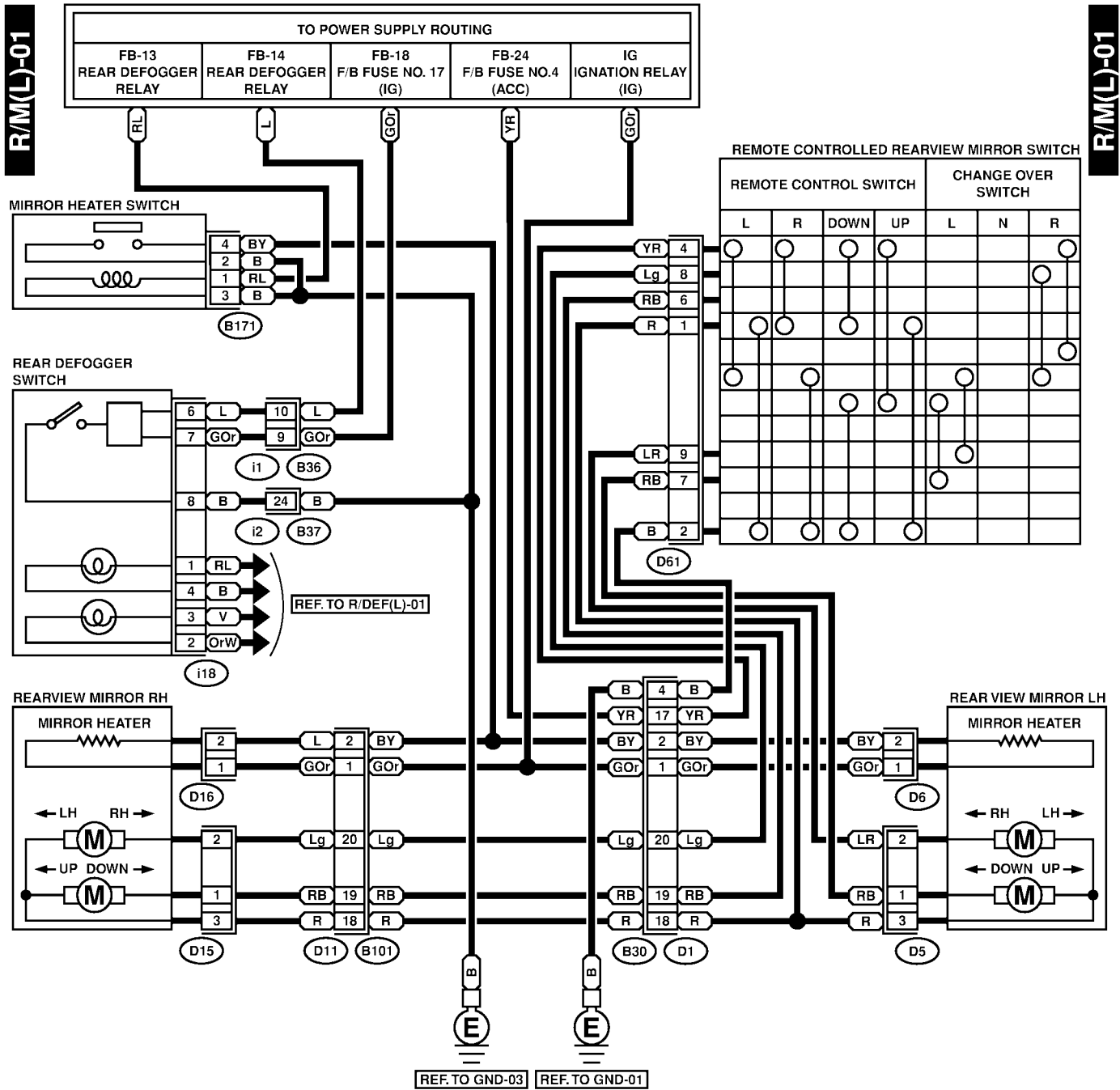
B: INSPECTION S905457A10

Symptom	Repair order
Wiper deicer does not operate.	(1) Fuse (F/B No. 18, 19) (2) Wiper deicer relay (3) Wiper deicer switch (4) Wire harness

5. Remote Control Mirror System S905458

A: SCHEMATIC S905458A21

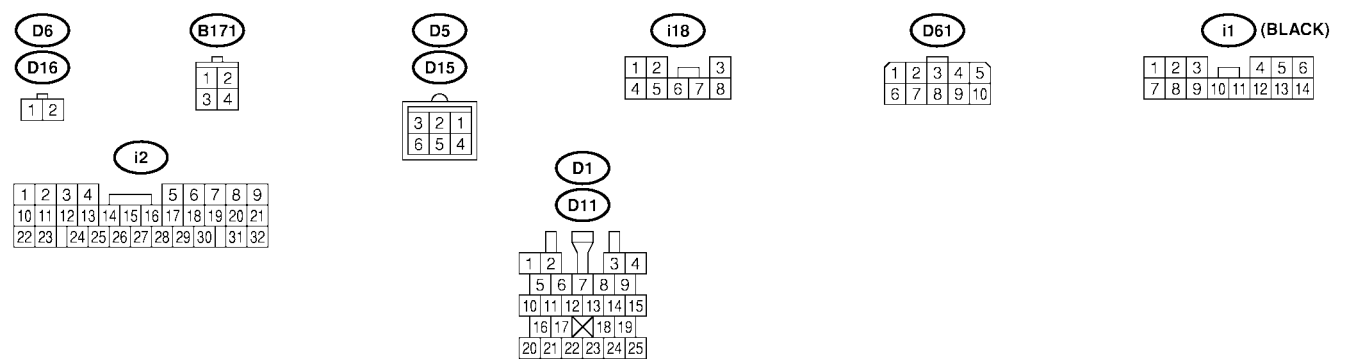
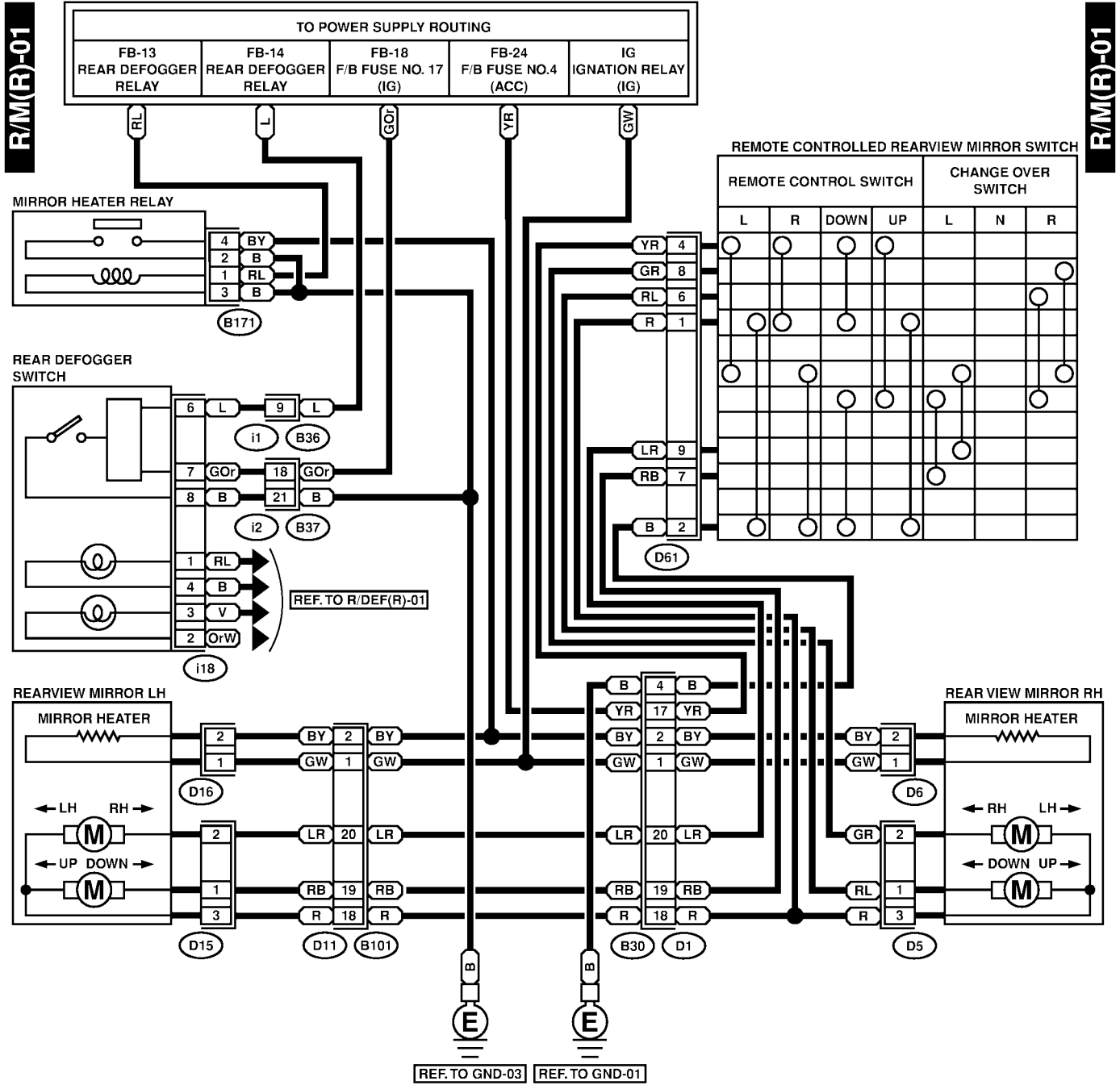
1. REMOTE CONTROL MIRROR LHD MODEL S905458A2102



REMOTE CONTROL MIRROR SYSTEM

Glass/Windows/Mirrors

2. REMOTE CONTROL MIRROR RHD MODEL S905458A2103



REMOTE CONTROL MIRROR SYSTEM

Glass/Windows/Mirrors

B: INSPECTION S905458A10

Symptom	Repair order
All function does not operate.	(1) Fuse (F/B No. 4) (2) Mirror switch (3) Wire harness
One side of the mirror motor does not operate.	(1) Mirror switch (2) Mirror motor (3) Wire harness
Mirror heater does not operate.	(1) Mirror switch (2) Mirror heater (3) Wire harness

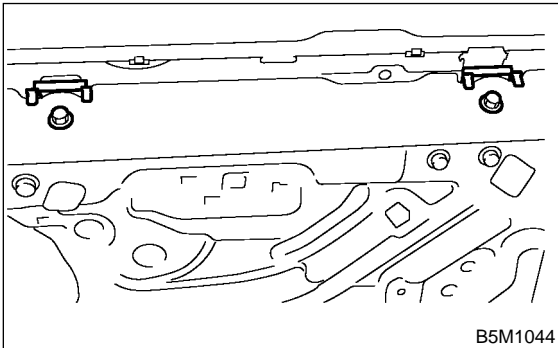
FRONT DOOR GLASS

Glass/Windows/Mirrors

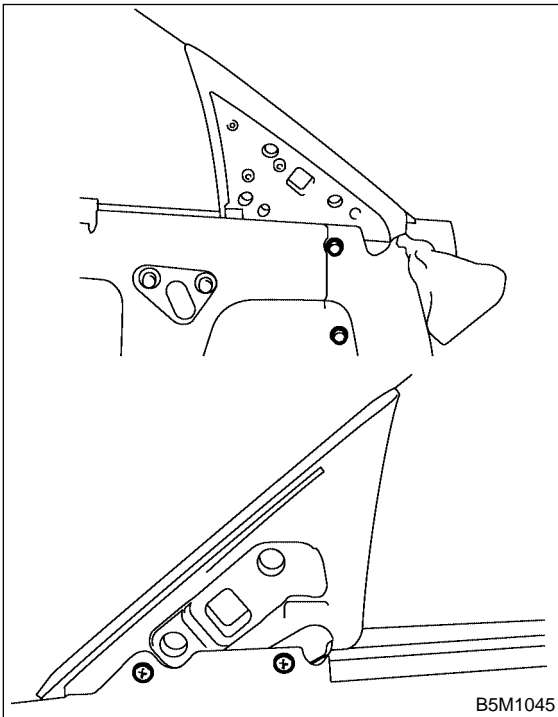
6. Front Door Glass S905452

A: REMOVAL S905452A18

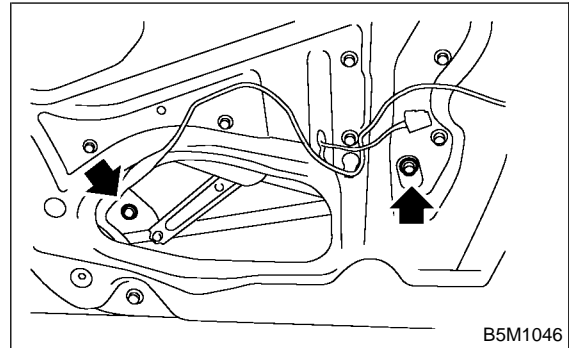
- 1) Remove door trim. <Ref. to EI-26, REMOVAL, Front Door Trim.>
- 2) Remove sealing cover. <Ref. to EB-13, REMOVAL, Front Sealing Cover.>
- 3) Remove inner remote. <Ref. to SL-27, REMOVAL, Front Inner Remote.>
- 4) Remove inner stabilizer.



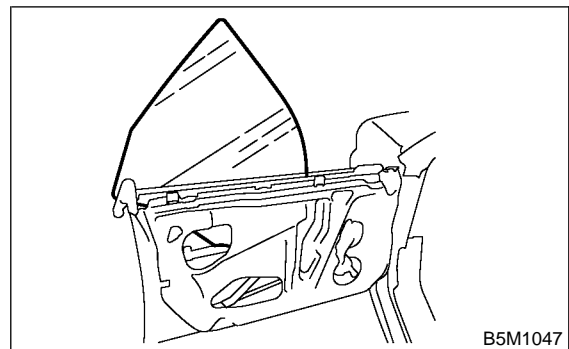
- 5) Remove outer mirror. <Ref. to GW-49, REMOVAL, Outer Mirror Assembly.>
- 6) Remove gusset.



- 7) Operate the power window switch to move glass to the position shown in the figure, and then remove the two nuts from service holes.



- 8) Take out glass door panel upward.



CAUTION:

- Do not turn regulator in the closing direction after removal of the glass. Otherwise gear may be disengaged.
- Avoid impact and damage to the glass.

B: INSTALLATION S905452A11

- 1) Install in the reverse order of removal.

CAUTION:

Make sure that glass stay is placed securely in sash.

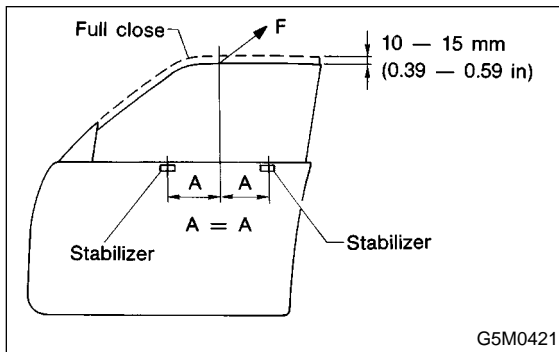
- 2) Adjust front door glass. <Ref. to GW-29, ADJUSTMENT, Front Door Glass.>

C: ADJUSTMENT S905462A01

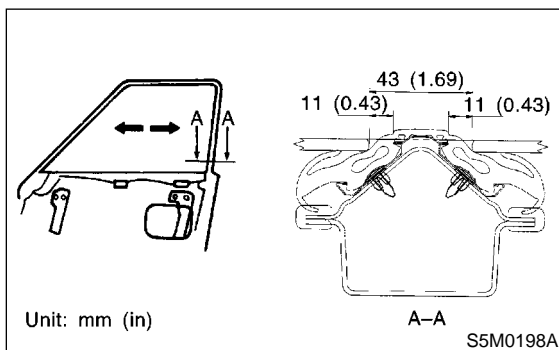
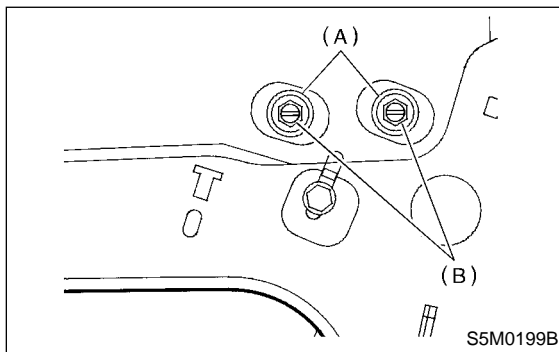
NOTE:

Before adjustment, ensure that all adjusting bolts of stabilizer, upper stopper, and sash are loose and door glass is raised so that it is in contact with weatherstrip.

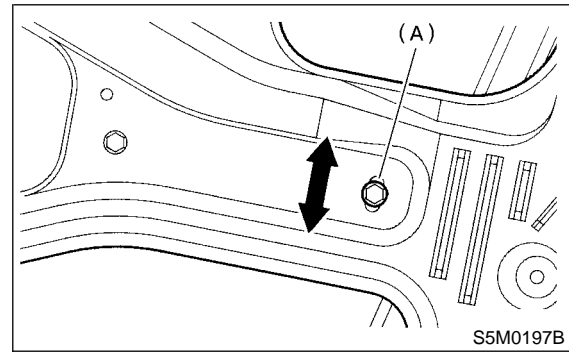
- 1) Temporarily tighten one adjusting bolt on one side of rear sash at the midpoint of slotted hole in the inner panel.
- 2) Temporarily tighten regulator B-channel in a position slightly lower than midpoint of slotted hole.
- 3) Lower door glass 10 to 15 mm (0.39 to 0.59 in) from fully closed position. While applying outward pressure of 45.0 ± 4.9 N (4.59 ± 0.50 kgf, 10.12 ± 1.10 lb) (F) to upper edge of glass above midpoint of two outer stabilizers, press inner stabilizer until it just touches the glass, then secure it.



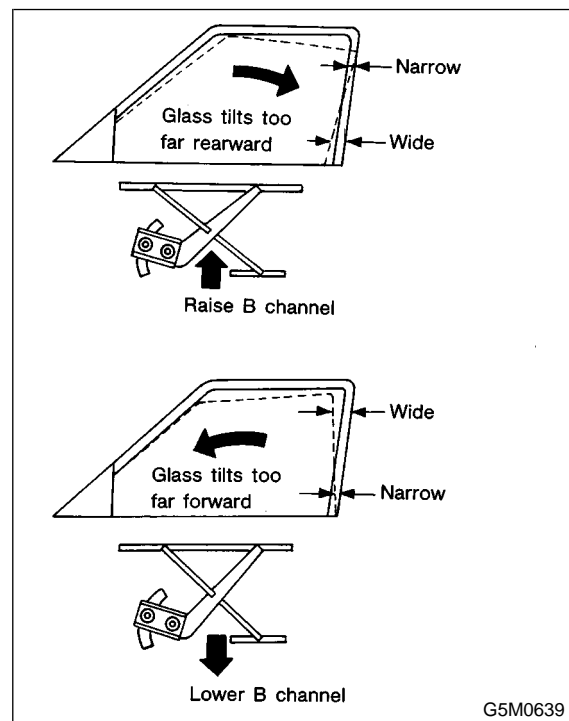
- 4) For adjustment of clearance between front and rear glasses, loosen nuts (A), and move glass sash back and forward until clearance becomes the value shown.



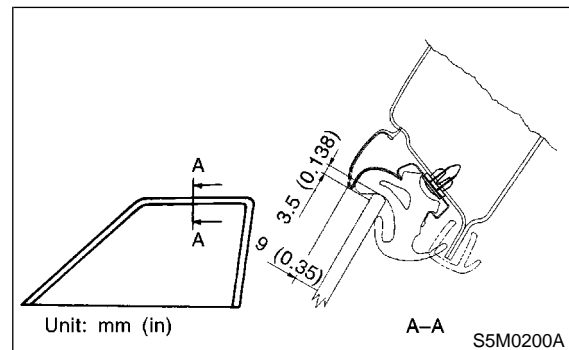
- 5) For adjustment of upper and lower ends of center pillar, loosen adjusting nut (A).



- 6) Adjust so that upper and lower ends of center pillar are the same size.



- 7) For glass stroke adjustment, close door, raise glass until positional relationship between glass and weatherstrip becomes as shown. And secure the glass so that upper stopper lightly touches the glass holder.



FRONT DOOR GLASS

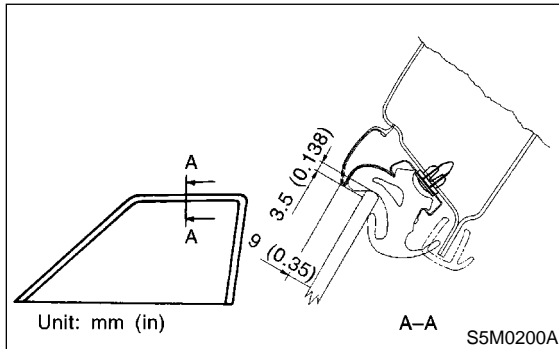
Glass/Windows/Mirrors

8) After stabilizer adjustment, carry out glass crimp adjustment. First, visually ensure positional relationship between retainer & molding and glass of the roof side, and then begin with rear sash adjustment. Adjust two adjusting bolts alternately step by step to obtain dimensions shown below (cross-section A).

NOTE:

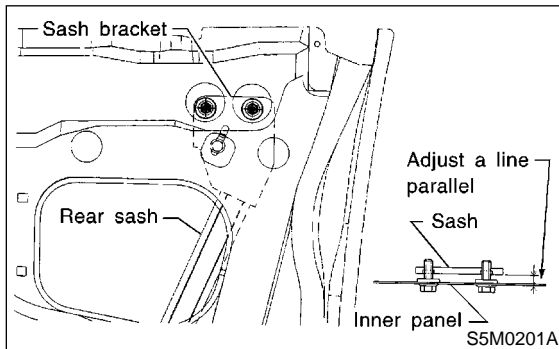
If two nuts are loosened at the same time, sash moves back and forth. Therefore, when one nut is adjusted, secure the other.

9) Make the same adjustment of two adjusting bolts of rear sash.



CAUTION:

Do not tilt sash bracket to inner panel during adjustment. Otherwise smooth regulator operation cannot be achieved.



10) Make adjustment of front sash in the same manner as that of rear sash.

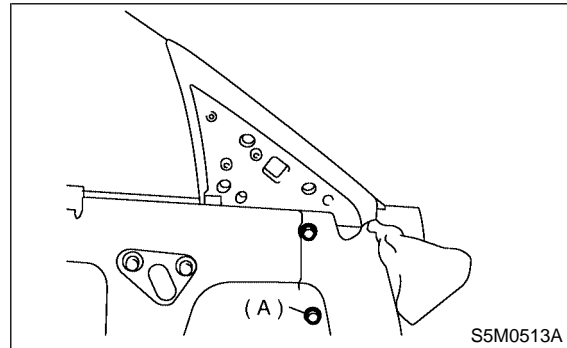
CAUTION:

Although front and rear sashes must, as a rule, be adjusted in the same manner, in some door installation, the adjustment in a different manner may be required. However, adjustment of one sash to the maximum amount and the other to the minimum amount is not permitted. Such adjustment may result in application of excessive load to regulator.

11) After adjustments, tighten nuts.

12) After adjustment of glass, if there is a gap between outer lip of gusset and glass surface, adjust the gap with adjusting bolt (A) in lower fitting part of gusset to prevent generation of wind noise.

13) During adjustments, loosen other three clamping bolts.



14) After adjustment, tighten bolts and nuts.

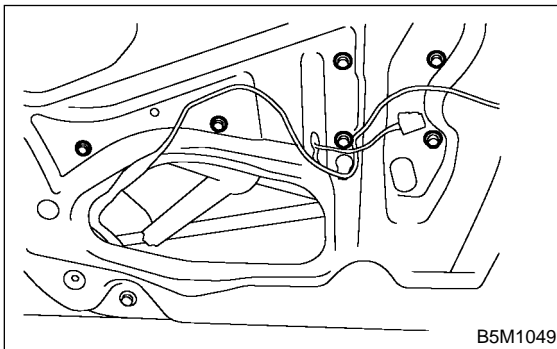
7. Front Regulator and Motor Assembly

S905449

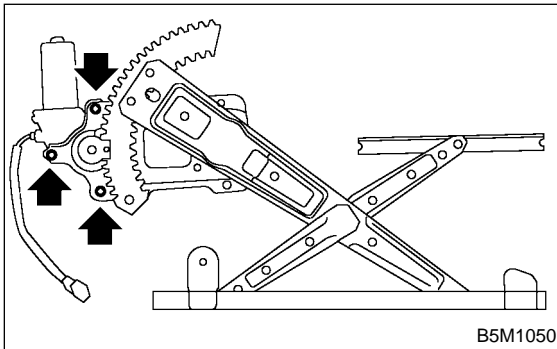
A: REMOVAL

S905449A18

- 1) Remove door trim. <Ref. to EI-26, REMOVAL, Front Door Trim.>
- 2) Remove sealing cover. <Ref. to EB-13, REMOVAL, Front Sealing Cover.>
- 3) Remove inner remote. <Ref. to SL-27, REMOVAL, Front Inner Remote.>
- 4) Remove door glass. <Ref. to GW-28, REMOVAL, Front Door Glass.>
- 5) Disconnect electrical connector.
- 6) Loosen four bolts and two nuts to pull out regulator assembly.



- 7) Loosen screws to remove motor assembly.



B: INSTALLATION

S905449A11

- 1) Install in the reverse order of removal.
- 2) Adjust front door glass. <Ref. to GW-29, ADJUSTMENT, Front Door Glass.>

C: INSPECTION

S905449A10

- 1) Make sure that power window motor rotates properly when battery voltage is applied to terminals of motor connector.
- 2) Change polarity of battery connections to terminals to ensure that motor rotates in reverse direction.

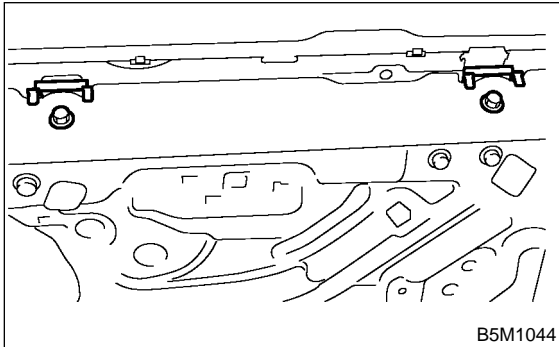
REAR DOOR GLASS

Glass/Windows/Mirrors

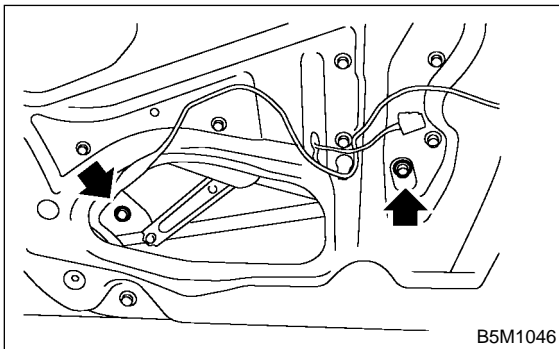
8. Rear Door Glass S905450

A: REMOVAL S905450A18

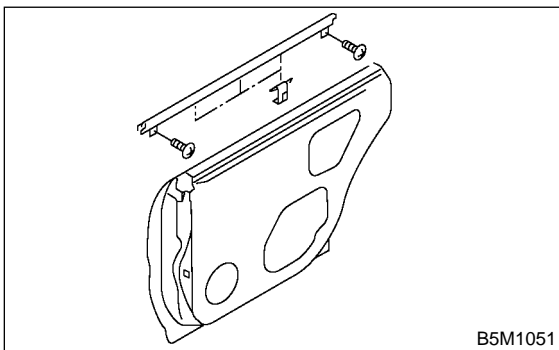
- 1) Remove door trim. <Ref. to EI-27, REMOVAL, Rear Door Trim.>
- 2) Remove sealing cover. <Ref. to EB-16, REMOVAL, Rear Sealing Cover.>
- 3) Remove stabilizer.



- 4) Operate power window switch to move glass as shown in the figure, and remove two nuts.



- 5) Loosen two screws to remove weatherstrip.



- 6) Pull out glass.

CAUTION:
Avoid impact and damage to the glass.

B: INSTALLATION S905450A11

- 1) Install in the reverse order of removal.

CAUTION:
Make sure that glass stay is placed securely in sash.

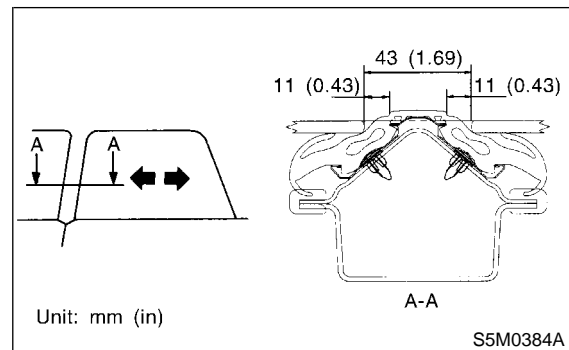
- 2) Adjust rear door glass. <Ref. to GW-32, ADJUSTMENT, Rear Door Glass.>

C: ADJUSTMENT S905450A01

NOTE:

Rear door glass, as a rule, should be adjusted in the same manner as front glass, although they are different in dimension. Special notes for rear glass are given below.

- 1) Adjust glass position using the following dimensions as a guide line.

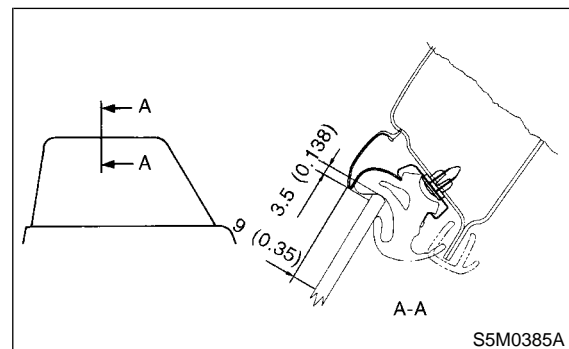


CAUTION:

- If dimensions are smaller than the given dimensions, glass may get caught in weatherstrip during lifting/lowering operation. In the worst case, it may cause glass not to be opened fully.

- After adjustment, move glass up and down to check whether it is caught.

- 2) Adjust crimp of glass using the following dimensions as a guide line.



CAUTION:

- If crimp of rear glass is higher than necessary, glass may get caught in weatherstrip of center pillar corner, resulting in early

wear of weatherstrip. Be careful when adjusting.

- After adjustment, move glass up and down to check whether it is caught.

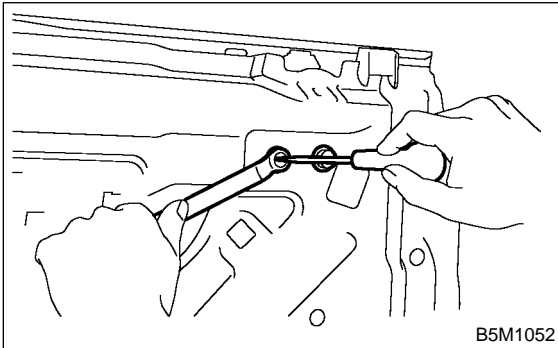
REAR REGULATOR AND MOTOR ASSEMBLY

Glass/Windows/Mirrors

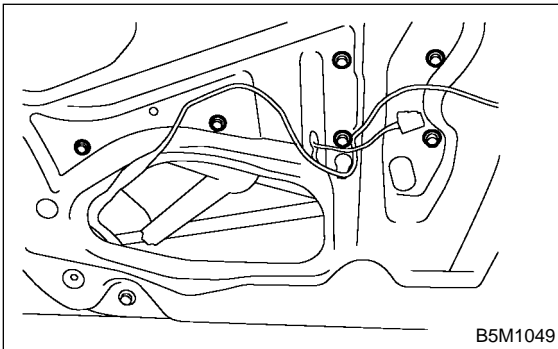
9. Rear Regulator and Motor Assembly S905451

A: REMOVAL S905451A18

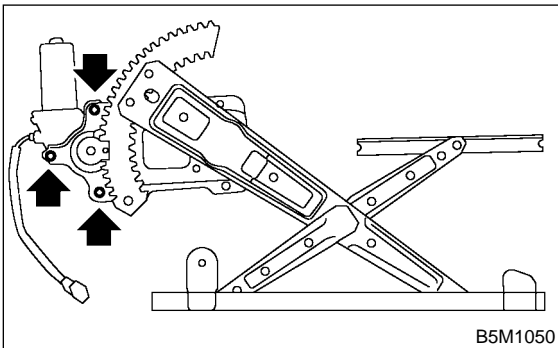
- 1) Remove door trim. <Ref. to EI-27, REMOVAL, Rear Door Trim.>
- 2) Remove sealing cover. <Ref. to EB-16, REMOVAL, Rear Sealing Cover.>
- 3) Remove door glass. <Ref. to GW-32, REMOVAL, Rear Door Glass.>
- 4) Secure bolts using screwdriver to remove front sash adjusting nut.



- 5) Remove front sash.
- 6) Disconnect electrical connector.
- 7) Loosen four bolts and two nuts to remove regulator assembly.



- 8) Loosen screws to remove motor assembly.



B: INSTALLATION S905451A11

- 1) Install in the reverse order of removal.
- 2) Adjust rear door glass. <Ref. to GW-32, ADJUSTMENT, Rear Door Glass.>

C: INSPECTION S905451A10

- 1) Make sure that power window motor rotates properly when battery voltage is applied to terminals of motor connector.
- 2) Change polarity of battery connections to terminals to ensure that motor rotates in reverse direction.

10. Windshield Glass

S905448

A: REMOVAL

S905448A18

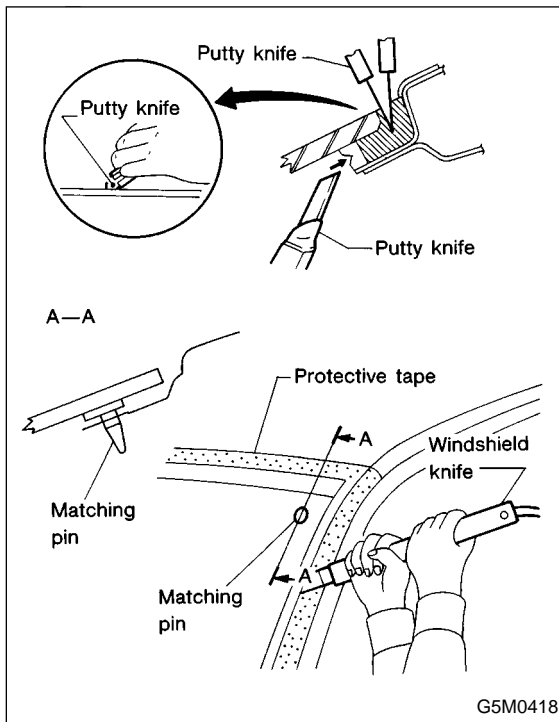
1. USING WINDSHIELD KNIFE

S905448A1801

- 1) Remove cowl panel. <Ref. to EI-25, REMOVAL, Cowl Panel.>
- 2) Remove front side molding and upper front molding.
- 3) Tape body side of the circumference of windshield glass for protection.
- 4) Apply sufficient amount of soapy water to adhesive layer.
- 5) Insert windshield knife into the adhesive layer.
- 6) While holding the knife edge and windshield glass edge at a right angle, move windshield knife in parallel to windshield glass edge along face and edge of windshield glass to cut the adhesive layer.

CAUTION:

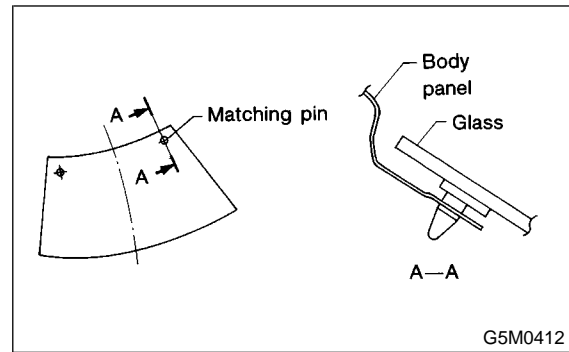
- Do not twist windshield knife.
- Cutting of adhesive layer shall be started with wider gap between windshield glass and body.



G5M0418

NOTE:

Because matching pins are bonded to the corners of glass, use piano wire to cut the pin.

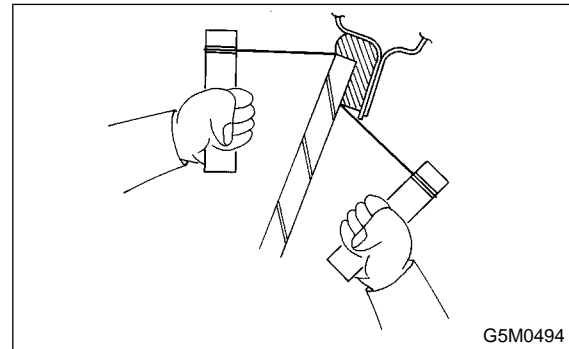


G5M0412

2. USING PIANO WIRE

S905448A1802

- 1) Remove cowl panel. <Ref. to EI-25, REMOVAL, Cowl Panel.>
- 2) Remove roof molding and upper front molding.
- 3) Tape the body side of the circumference of windshield glass for protection.
- 4) Make a hole in adhesive layer using drill or knife.
- 5) Pass piano wire through the hole, and attach securely both the wire ends to pieces of wood.



G5M0494

- 6) Pull the wire ends alternately to cut off the adhesive layer.

CAUTION:

- Do not tightly pull the piano wire against the windshield glass edge.
- Be careful not to damage interior and exterior parts.
- When removal is made with area close to instrument panel, place a protection plate over it. Pay particular attention to the removal.
- Do not cross piano wires. Otherwise they may be cut.

WINDSHIELD GLASS

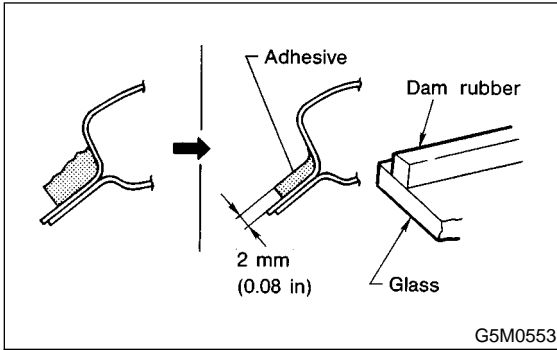
Glass/Windows/Mirrors

B: INSTALLATION S905448A11

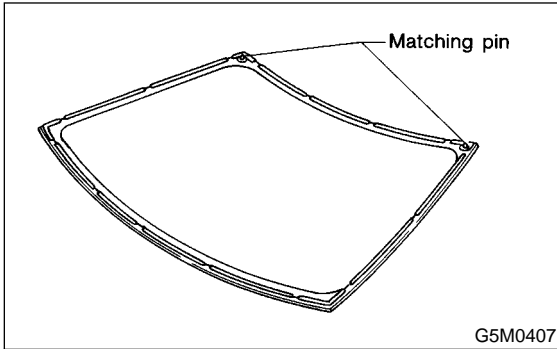
- 1) Clean external circumference of windshield glass with alcohol or white gasoline.
- 2) Remove adhesive layer on the body using cutter knife to obtain smooth face 2 mm (0.08 in) thick.

CAUTION:

Be careful not to damage the body and paint surface.



- 3) Clean body with alcohol or white gasoline to remove thoroughly chips, dusts, and dirt from body face.
- 4) Place glass on body.
- 5) Adjust glass position to make uniform clearance between body and glass in four corners.
- 6) Place matching pins and body on glass.

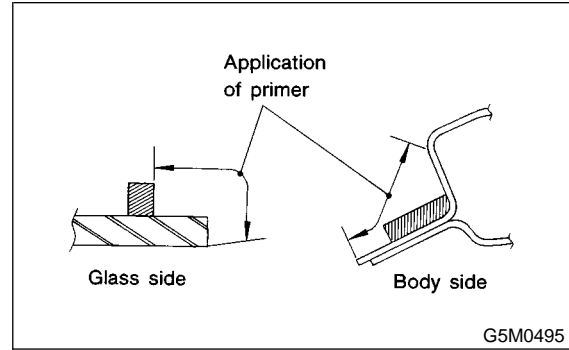


- 7) Remove glass from body.
- 8) Apply primer to adhesive layer of glass using sponge.

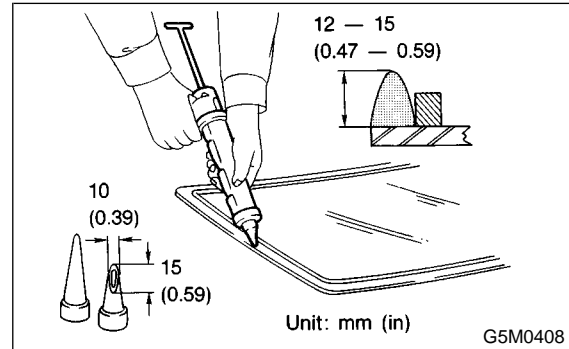
- 9) Apply primer to adhesive layer of body.

CAUTION:

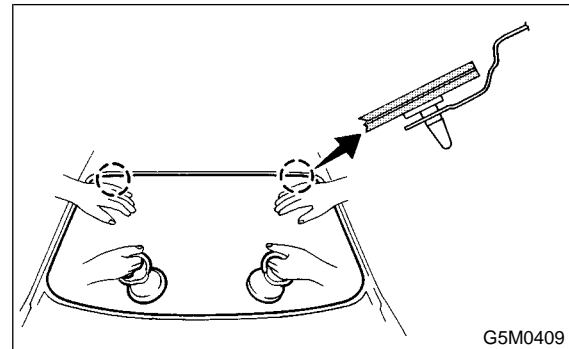
- Primer once attached to the painted surface of the body and internal trim is hard to wipe off. Mask the circumference of such areas.
- Let primer dry for about ten minutes before installing the glass.
- Do not touch surface coated with primer.



- 10) Cut off cartridge nozzle tip and set it in sealant gun as shown.

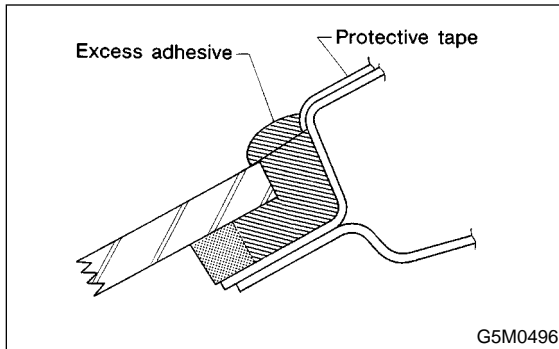


- 11) Apply adhesive to glass end surface as shown.
- 12) Fit matching pins using suction rubber cup to install windshield glass.

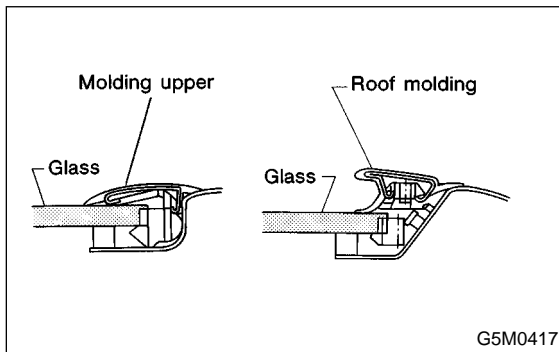


- 13) Lightly press windshield glass for tight fit.

14) Remove adhesive overflowing from outside of glass until it becomes level with outer height of glass. Then, add adhesive to portions that need it, and clean with alcohol or white gasoline.



15) First, press-fit upper front window molding and last, roof molding.



CAUTION:

- When door is opened/closed after glass is bonded, always lower door glass and then open/close it carefully.
- Move vehicle slowly.

16) After completion of all work, allow vehicle to stand for about 24 hours.

NOTE:

For minimum drying time and time the vehicle must be left standing before driving after bonding, follow instructions or instruction manual from the adhesive manufacturer.

17) After curing of adhesive, pour water on external surface of vehicle to check that there are no water leaks.

CAUTION:

When a vehicle is returned to the user, tell him or her that the vehicle should not be subjected to heavy impact for at least three days.

18) Install cowl panel. <Ref. to EI-25, INSTALLATION, Cowl Panel.>

REAR GATE GLASS

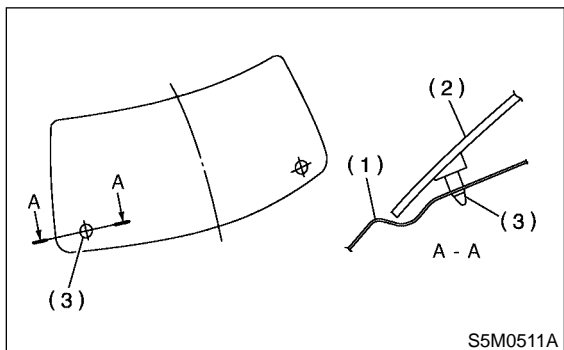
11. Rear Gate Glass S905376

A: REMOVAL S905376A18

- 1) Remove rear wiper motor. <Ref. to WW-20, REMOVAL, Rear Wiper Motor.>
- 2) Remove electrical connector from rear defogger terminal.
- 3) Remove glass in the same procedure as for windshield glass. <Ref. to GW-35, REMOVAL, Windshield Glass.>

NOTE:

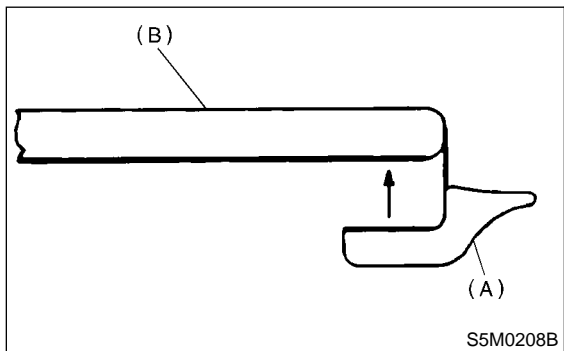
A matching pin is cemented to corners of the glass on the compartment side. Use a piano wire when cutting each pin.



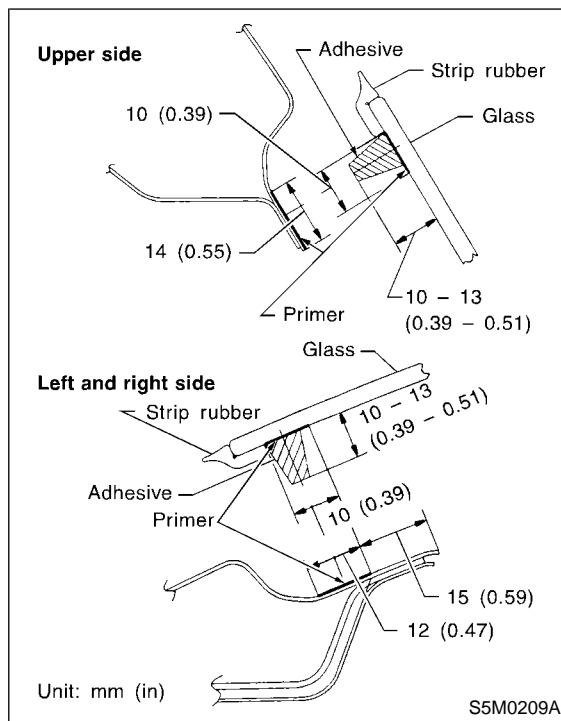
- (1) Body panel
- (2) Glass
- (3) Matching pin

B: INSTALLATION S905376A11

- 1) Install a new rubber strip (A) by aligning it with the end of the rear gate glass (B).



- 2) Install glass in the same procedure as for windshield glass. <Ref. to GW-36, INSTALLATION, Windshield Glass.>



- 3) About one hour after installation, conduct a leak test.

CAUTION:

- When door is opened/closed after glass is bonded, always lower door glass and then open/close it carefully.
- Move vehicle slowly.

- 4) After completion of all work, allow vehicle to stand for about 24 hours.

NOTE:

For minimum drying time and time the vehicle must be left standing before driving after bonding, follow instructions or instruction manual from the adhesive manufacturer.

CAUTION:

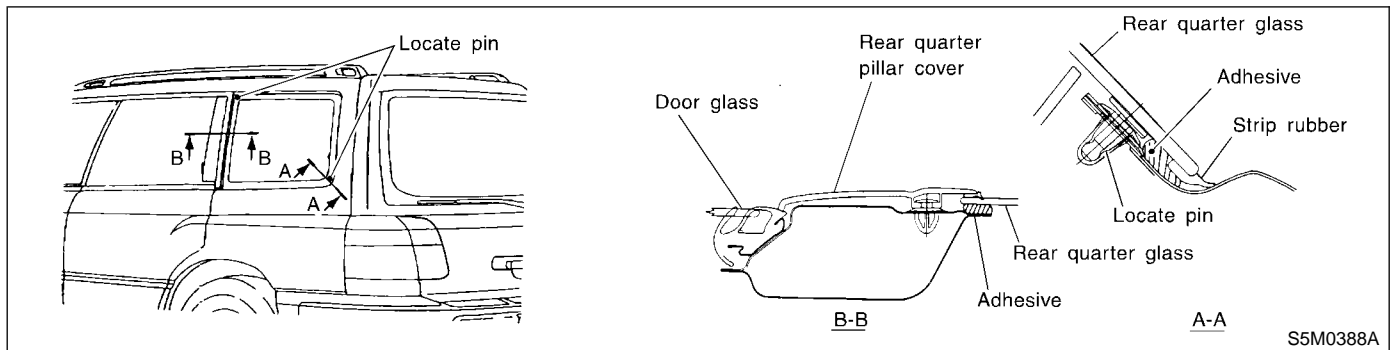
When a vehicle is returned to the user, tell him or her that the vehicle should not be subjected to heavy impact for at least three days.

- 5) Connect rear defogger terminals.
- 6) Install rear wiper. <Ref. to WW-20, INSTALLATION, Rear Wiper Motor.>

12. Rear Quarter Glass S905453

A: REMOVAL S905453A18

- 1) Remove rear quarter molding on corner.
- 2) Remove glass in the same procedure as for windshield glass. <Ref. to GW-35, REMOVAL, Windshield.>

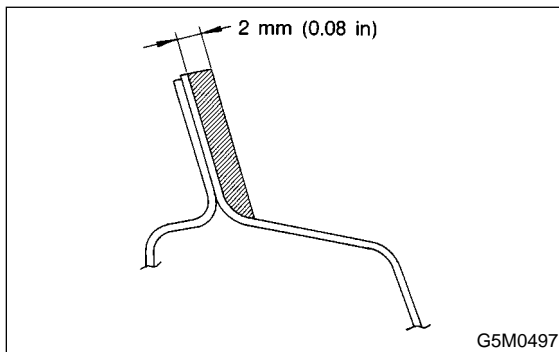


B: INSTALLATION S905453A11

- 1) Using a putty knife, etc., cut layer of adhesive stick firmly to body and finish it into a smooth surface of about 2 mm (0.08 in) in thickness.

CAUTION:

Be careful not to damage body finish.

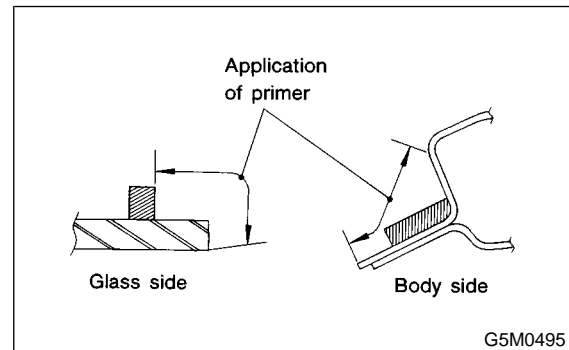


- 2) Remove chips, dirt and dust from body surface.
- 3) Clean body wall surface and upper surface of adhesive layer with a solvent such as alcohol or white gasoline.
- 4) Remove dirt and dust from surface of glass to be adhered.
- 5) Clean surface of glass to be adhered with alcohol or white gasoline.
- 6) Using a sponge, apply primer to surface of glass to be adhered.

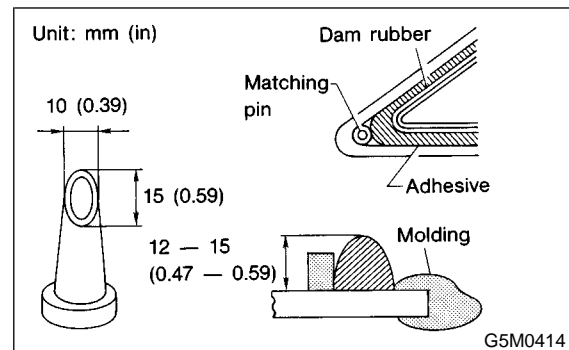
- 7) Apply primer to surface of body to be adhered.

CAUTION:

- If primer has dropped on body finish, it is hard to wipe it off. So protect with masking.
- Primer must not project from black frame of glass.
- After applying primer, let it dry naturally for about 10 minutes.



- 8) Cut nozzle tip as shown in the figure.

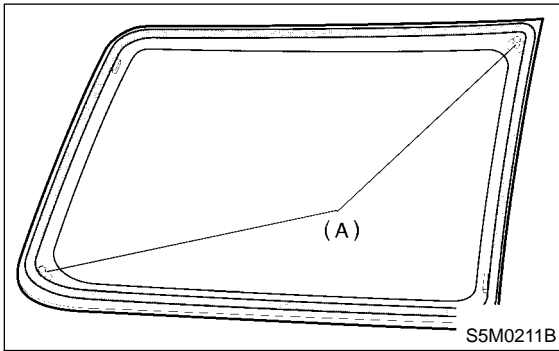


- 9) Open cartridge and put it into a gun with nozzle attached.
- 10) Apply adhesive uniformly to all sides of adhesion surface while operating gun along glass end face.
- 11) Hold glass with rubber suction cups.

REAR QUARTER GLASS

Glass/Windows/Mirrors

12) Mount glass on body with matching pins (A) aligned.



13) Attach quickly and press all sides lightly.

CAUTION:

- When door is opened/closed after glass is bonded, always lower door glass and then open/close it carefully.
- Move vehicle slowly.

14) After completion of all work, allow vehicle to stand for about 24 hours.

NOTE:

For minimum drying time and time the vehicle must be left standing before driving after bonding, follow instructions or instruction manual from the adhesive manufacturer.

15) After curing of adhesive, pour water on external surface of vehicle to check that there are no water leaks.

CAUTION:

When a vehicle is returned to the user, tell him or her that the vehicle should not be subjected to heavy impact for at least three days.

13. Roof Window Glass S905339

A: REMOVAL S905339A18

<Ref. to SR-7, REMOVAL, Sunroof Lid.>

B: INSTALLATION S905339A11

<Ref. to SR-7, INSTALLATION, Sunroof Lid.>

C: ADJUSTMENT S905339A01

<Ref. to SR-7, ADJUSTMENT, Sunroof Lid.>

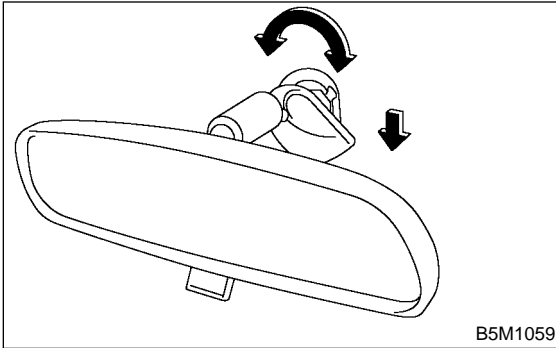
14. Inner Rearview Mirror S905340

A: REMOVAL S905340A18

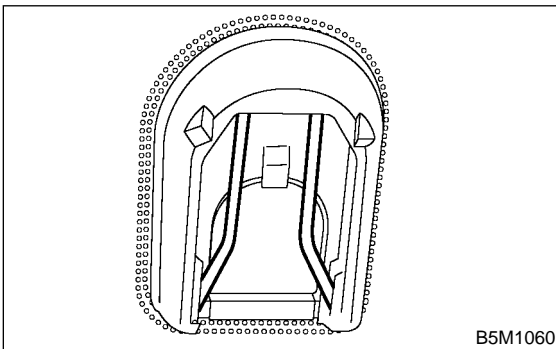
NOTE:

The spring cannot be reused. Prepare a new spring before removal.

- 1) Turn mirror base 90 degrees clockwise or counterclockwise to remove it.



- 2) Remove spring from mirror base.



CAUTION:

Be careful not to damage the mirror surface.

B: INSTALLATION S905340A11

Install in the reverse order of removal.

C: INSPECTION S905340A10

Do not let mirror be damaged.

15. Power Window Control Switch

S905621

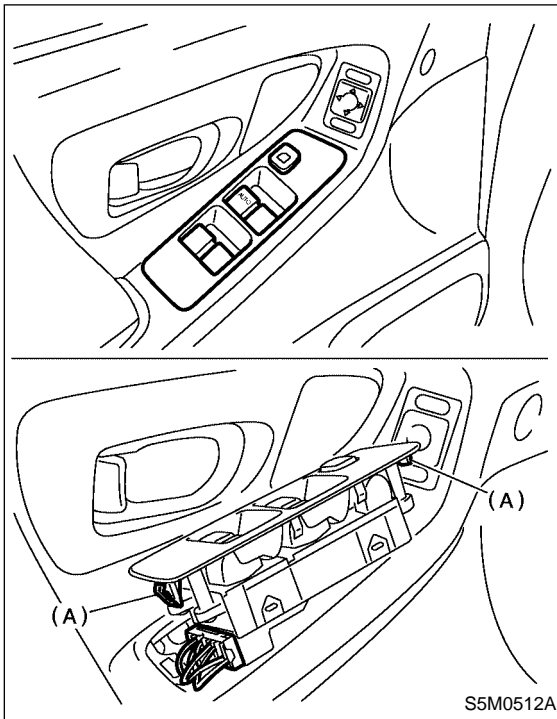
A: REMOVAL

S903621A18

1. MAIN SWITCH

S903621A1801

- 1) Release two hooks (A) of switch panel to remove power window main switch.
- 2) Disconnect electrical connector from power window main switch.

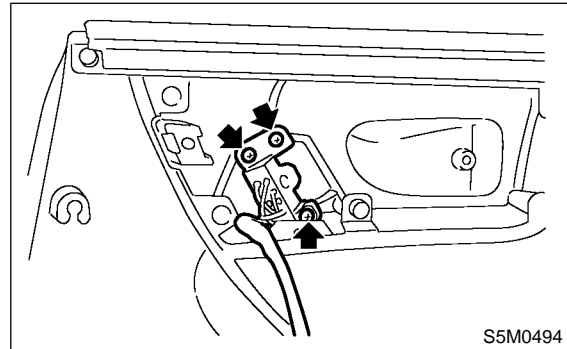


S5M0512A

2. SUB-SWITCH

S903621A1802

- 1) Remove door trim. <Ref. to EI-27, REMOVAL, Rear Door Trim.>
- 2) Remove screws and sub-switch.



S5M0494

B: INSTALLATION

S903621A11

1. MAIN SWITCH

S903621A1101

Install in the reverse order of removal.

2. SUB-SWITCH

S903621A1102

Install in the reverse order of removal.

C: INSPECTION

S903621A10

1. MAIN SWITCH (LHD MODEL)

S903621A1003

Check continuity between connector terminals.

Driver's switch:

Switch position	Tester connection	Specified condition
AUTO UP	12 — 1, 2 — 7	Continuity
UP	12 — 1, 2 — 7	Continuity
OFF	1 — 2 — 7	Continuity
DOWN	12 — 2, 1 — 7	Continuity
AUTO DOWN	12 — 2, 1 — 7	Continuity

Front passenger's switch:

Switch position	Tester connection	Specified condition
UP	12 — 5, 6 — 7	Continuity
OFF	5 — 6 — 7	Continuity
DOWN	12 — 6, 5 — 7	Continuity

POWER WINDOW CONTROL SWITCH

Glass/Windows/Mirrors

Rear left switch:

Switch position	Tester connection	Specified condition
UP	12 — 9, 10 — 7	Continuity
OFF	9 — 10 — 7	Continuity
DOWN	12 — 10, 9 — 7	Continuity

Rear right switch:

Switch position	Tester connection	Specified condition
UP	12 — 14, 13 — 7	Continuity
OFF	14 — 13 — 7	Continuity
DOWN	12 — 13, 14 — 7	Continuity

If NG, replace the main switch.

2. MAIN SWITCH (RHD MODEL) S903621A1004

Check continuity between connector terminals.

Driver's switch:

Switch position	Tester connection	Specified condition
AUTO UP	7 — 16, 15 — 2	Continuity
UP	7 — 16, 15 — 2	Continuity
OFF	16 — 15 — 2	Continuity
DOWN	7 — 15, 16 — 2	Continuity
AUTO DOWN	7 — 15, 16 — 2	Continuity

Front passenger's switch:

Switch position	Tester connection	Specified condition
UP	7 — 3, 4 — 2	Continuity
OFF	3 — 4 — 2	Continuity
DOWN	7 — 4, 3 — 2	Continuity

Rear left switch:

Switch position	Tester connection	Specified condition
UP	7 — 10, 12 — 2	Continuity
OFF	10 — 12 — 2	Continuity
DOWN	7 — 12, 10 — 2	Continuity

Rear right switch:

Switch position	Tester connection	Specified condition
UP	7 — 14, 13 — 12	Continuity
OFF	14 — 13 — 2	Continuity
DOWN	7 — 13, 14 — 2	Continuity

If NG, replace the main switch.

3. SUB-SWITCH (FRONT) S903621A1005

Check continuity between connector terminals.

Front passenger's door switch:

Switch position	Tester connection	Specified condition
UP	8 — 3 — 5, 4 — 7	Continuity
OFF	4 — 7, 6 — 5	Continuity
DOWN	8 — 3 — 7, 6 — 5	Continuity

If NG, replace the sub-switch.

4. SUB-SWITCH (REAR) S903621A1006

Check continuity between connector terminals.

Rear door switch:

Switch position	Tester connection	Specified condition
UP	6 — 5, 1 — 4	Continuity
OFF	1 — 4, 2 — 5	Continuity
DOWN	6 — 4, 2 — 5	Continuity

If NG, replace the sub-switch.

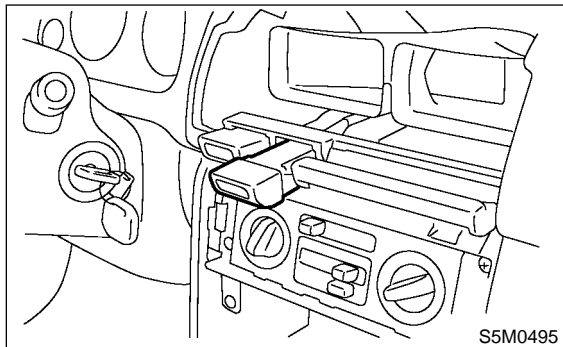
16. Rear Window Defogger Switch

S905559

A: REMOVAL

S905559A18

- 1) Remove center air vent grille. <Ref. to AC-41, REMOVAL, Air Vent Grille.>
- 2) Pull out switch and disconnect the connector.



B: INSTALLATION

S905559A11

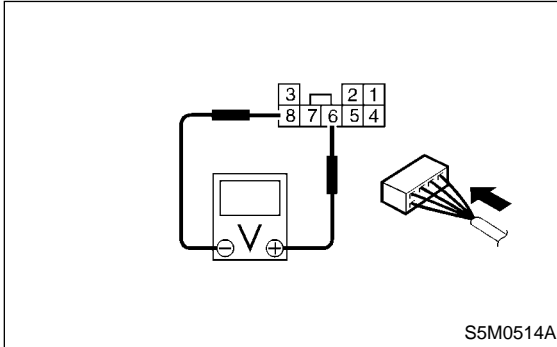
Install in the reverse order of removal.

C: INSPECTION S905559A10

- 1) Turn ignition switch ON.
- 2) Check continuity between terminals on the wire harness side with connectors connected.

Connector & terminal

(i18) No. 6 (+) — No. 8 (-):



IGN SW	Switch position	Tester connection	Specified condition
ON	OFF	(i18)6 — (i18)8	10V — 14V
ON	ON	6 — 8	0V

REAR WINDOW DEFOGGER

Glass/Windows/Mirrors

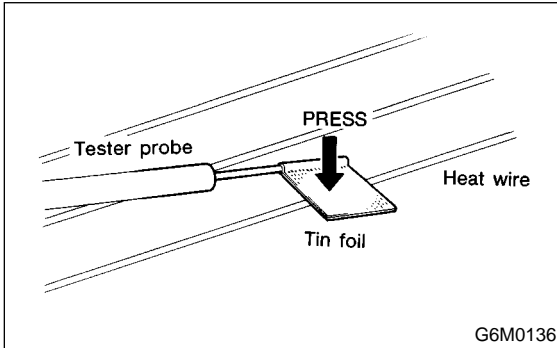
17. Rear Window Defogger S905341

A: INSPECTION S905341A10

CAUTION:

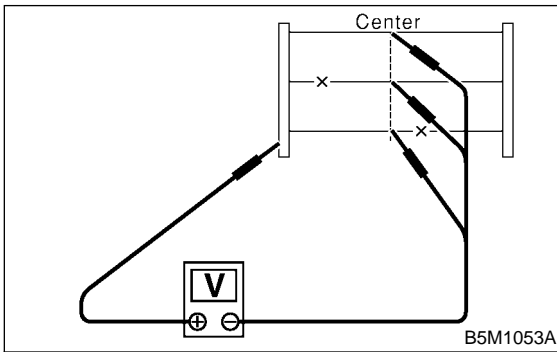
When wiping stain on glass off with cloth, use a dry and soft cloth and move it in the direction of the heat wire extension to avoid damage to the heat wire.

- 1) Turn ignition switch to ON.
- 2) Turn defogger switch to ON.
- 3) Wrap tips of tester pins with aluminum foil to avoid damage to heat wire.



- 4) Measure voltage at wire center with DC voltmeter.

Standard voltage:
Approx. 6 volts



Voltage	Criteria
Approx. 6 V	OK
Approx. 12 V or 0 V	Broken

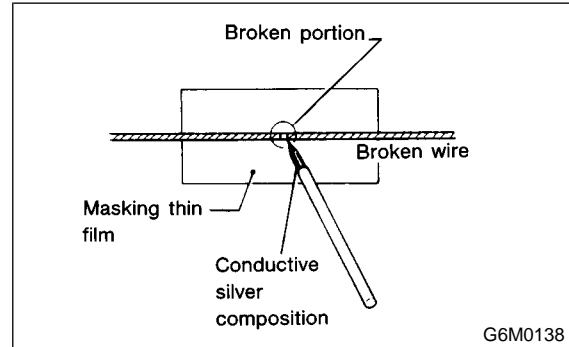
NOTE:

- If the measured value is 12 volts, heat wire is open between wire center and positive (+) end.
- If zero volt, heat wire is open between wire center and ground.

- 5) Apply positive lead of voltmeter to positive terminal of voltmeter, and then move negative lead along the wire up to the negative terminal end. If voltage changes from zero to several volts during movement of lead, heat wire is open at the voltage change point.

B: REPAIR S905341A11

- 1) Clean broken portion with alcohol or white gasoline.
- 2) Mask both side of wire with thin film.
- 3) Apply conductive silver composition (DUPONT No. 4817) to broken portion.

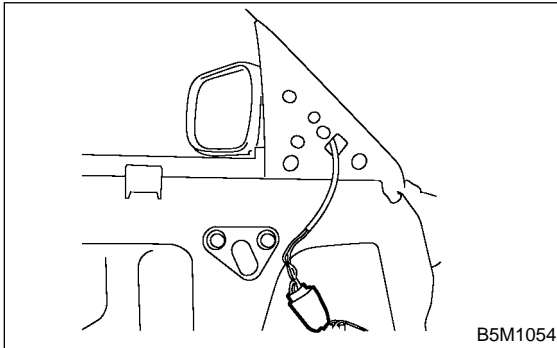


- 4) After repair, check wire.

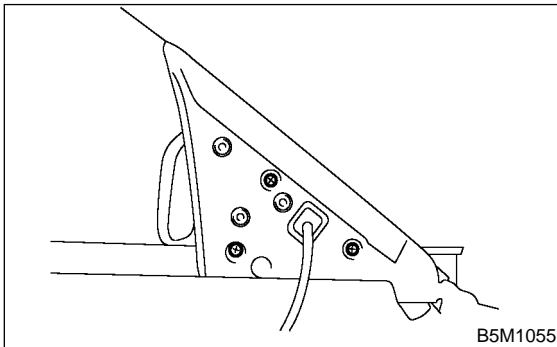
18. Outer Mirror Assembly S905338

A: REMOVAL S905338A18

- 1) Remove door trim. <Ref. to EI-26, REMOVAL, Front Door Trim.>
- 2) Pull off sealing cover to disconnect mirror electrical connector.



- 3) Loosen screws to remove mirror assembly.



B: INSTALLATION S905338A11

Install in the reverse order of removal.

OUTER MIRROR ASSEMBLY

Glass/Windows/Mirrors

C: INSPECTION S905338A10

Check to ensure that rearview mirror moves properly when battery voltage is applied to terminals.

Mirror heater not-equipped model:

Switch position	Terminal connection
OFF	—
UP	1 (+) — 3 (-)
DOWN	3 (+) — 1 (-)
LEFT	2 (+) — 3 (-)
RIGHT	3 (+) — 2 (-)

If NG, replace the mirror.

Mirror heater equipped model:

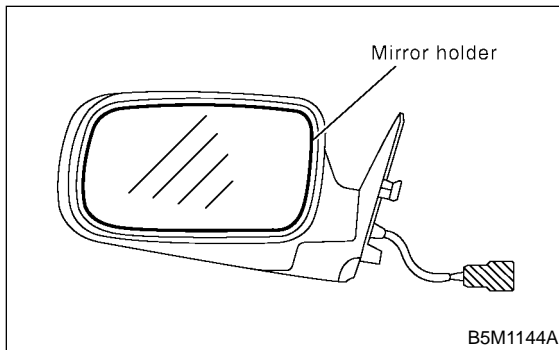
Switch position	Terminal connection
OFF	—
UP	2 (+) — 4 (-)
DOWN	4 (+) — 2 (-)
LEFT	3 (+) — 4 (-)
RIGHT	4 (+) — 3 (-)

If NG, replace the mirror.

19. Outer Mirror S905658

A: REPLACEMENT S905658A20

- 1) Remove the door mirror assembly. <Ref. to GW-49, REMOVAL, Outer Mirror Assembly.>
- 2) Warm the area around the mirror holder with a hair drier until the edges of the mirror holder become soft (about 2 or 3 minutes with a 1,000 W drier.)
- 3) Use a flat-bladed screwdriver without sharp edges to lift the mirror out of the mirror holder. (Also remove the connector from the back of mirrors with heaters.)



- 4) Warm the area around the mirror holder with a hair drier until the edges of the mirror holder become soft (about 2 or 3 minutes with a 1,000 W drier.)
- 5) Remove the backing of the new two-sided tape, and push the mirror in to install it.

CAUTION:

Unless the mirror holder is warmed sufficiently, the mirror holder edges may be damaged or the mirror cracked.

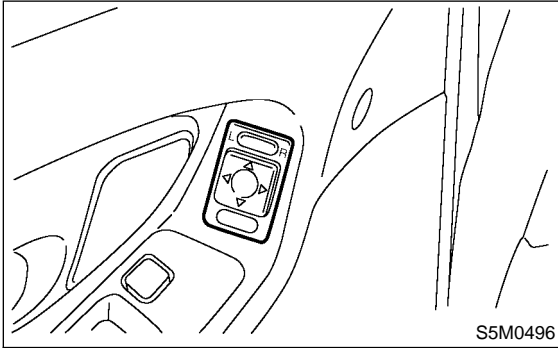
REMOTE CONTROL MIRROR SWITCH

Glass/Windows/Mirrors

20. Remote Control Mirror Switch S905342

A: REMOVAL S905342A18

Using a thin flat-bladed screwdriver, remove the switch and disconnect the connector.

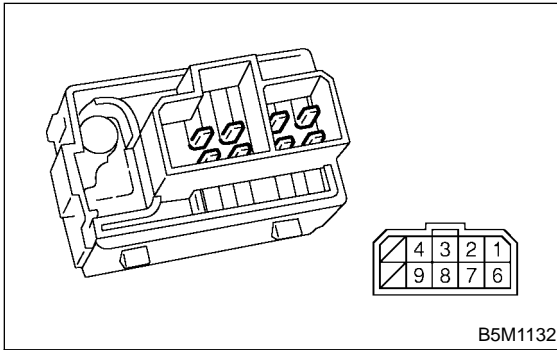


B: INSTALLATION S905342A11

Install in the reverse order of removal.

C: INSPECTION S905342A10

Move rearview mirror switch to each position and check continuity between terminals.



Change over switch left position:

Switch position	Tester connection	Specified condition
NEUTRAL	All terminals	No continuity
UP	7 — 4, 2 — 1	Continuity
DOWN	7 — 2, 4 — 1	Continuity
LEFT	9 — 4, 2 — 1	Continuity
RIGHT	9 — 2, 4 — 1	Continuity

Change over switch right position:

Switch position	Tester connection	Specified condition
NEUTRAL	All terminals	No continuity
UP	6 — 4, 2 — 1	Continuity
DOWN	6 — 2, 4 — 1	Continuity
LEFT	8 — 4, 2 — 1	Continuity
RIGHT	8 — 2, 4 — 1	Continuity

If NG, replace the switch.

21. Wiper Deicer S905622

A: INSPECTION S905622A10

Refer to INSPECTION under Rear Window Defogger. <Ref. to GW-48, INSPECTION, Rear Window Defogger.>

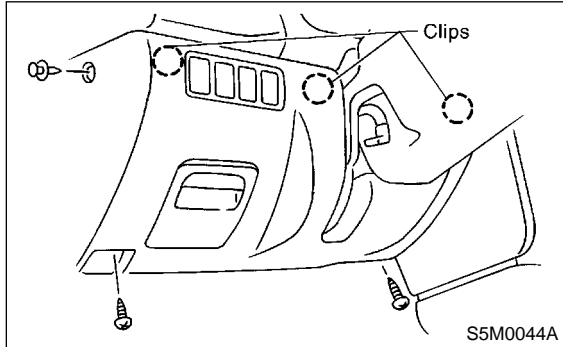
B: REPAIR S905622A11

Refer to REPAIR under Rear Window Defogger. <Ref. to GW-48, REPAIR, Rear Window Defogger.>

22. Wiper Deicer Switch S905623

A: REMOVAL S905623A18

- 1) Remove lower cover.
- 2) Disconnect the connector and remove the switch.



B: INSTALLATION S905623A11

Install in the reverse order of removal.

C: INSPECTION S905623A10

Move wiper deicer switch to each position and check continuity between terminals.

Switch position	Tester connection	Specified condition
OFF	—	No continuity
ON	3 — 5	Continuity

If NG, replace the switch.

WIPER DEICER SWITCH

Glass/Windows/Mirrors

MEMO: