

EMISSION CONTROL (AUX. EMISSION CONTROL DEVICES)

EC(SOHC)

	Page
1. General Description.....	2
2. Front Catalytic Converter	3
3. Rear Catalytic Converter.....	6
4. Canister	7
5. Purge Control Solenoid Valve	8
6. Two-way Valve	9

GENERAL DESCRIPTION

Emission Control (Aux. Emission Control Devices)

1. General Description S150001

A: CAUTION S150001A03

- Wear working clothing, including a cap, protective goggles, and protective shoes during operation.
- Remove contamination including dirt and corrosion before removal, installation or disassembly.
- Keep the disassembled parts in order and protect them from dust or dirt.
- Before removal, installation or disassembly, be sure to clarify the failure. Avoid unnecessary removal, installation, disassembly, and replacement.
- Be careful not to burn your hands, because each part on the vehicle is hot after running.
- Be sure to tighten fasteners including bolts and nuts to the specified torque.
- Place shop jacks or safety stands at the specified points.
- Before disconnecting electrical connectors of sensors or units, be sure to disconnect negative terminal from battery.

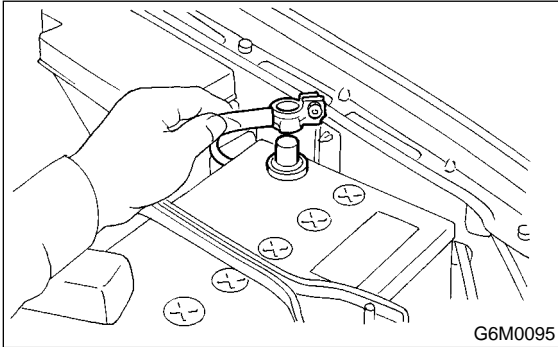
FRONT CATALYTIC CONVERTER

Emission Control (Aux. Emission Control Devices)

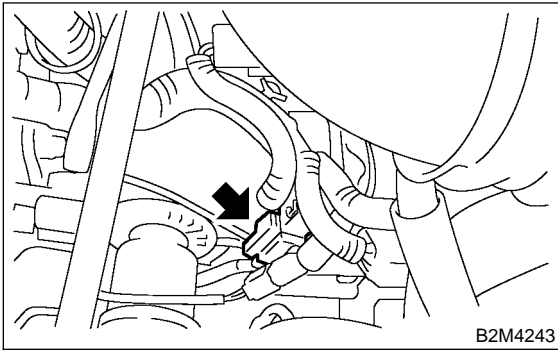
2. Front Catalytic Converter S150017

A: REMOVAL S150017A18

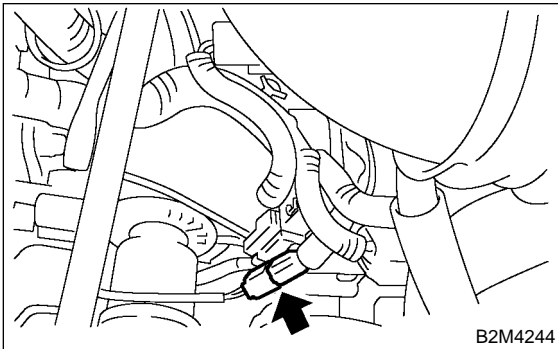
- 1) Set the vehicle on the lift.
- 2) Disconnect battery ground cable.



- 3) Disconnect front oxygen (A/F) sensor connector.



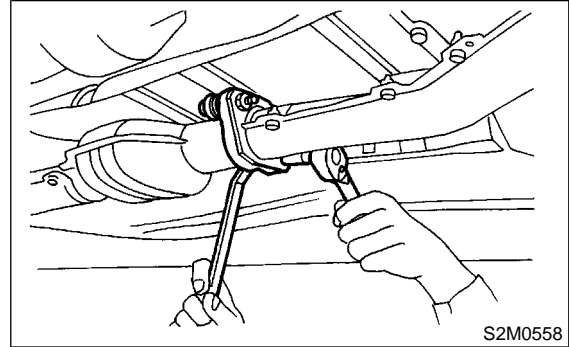
- 4) Disconnect connector from rear oxygen sensor connector.



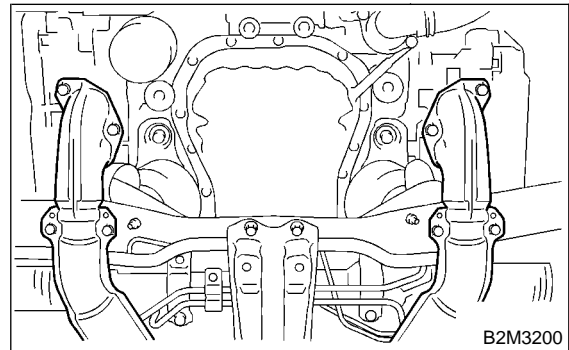
- 5) Lift-up the vehicle.
- 6) Remove under cover.

- 7) Separate center exhaust pipe from rear exhaust pipe.

CAUTION:
Be careful, exhaust pipe is hot.

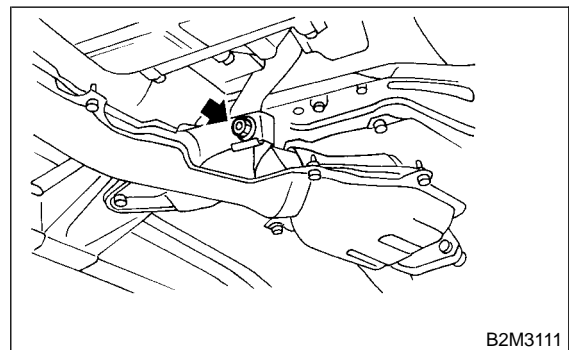


- 8) Remove bolts which hold front exhaust pipe onto cylinder heads.



- 9) Remove front exhaust pipe and center exhaust pipe from hanger bracket.

CAUTION:
Be careful not to pull down front exhaust pipe and center exhaust pipe.



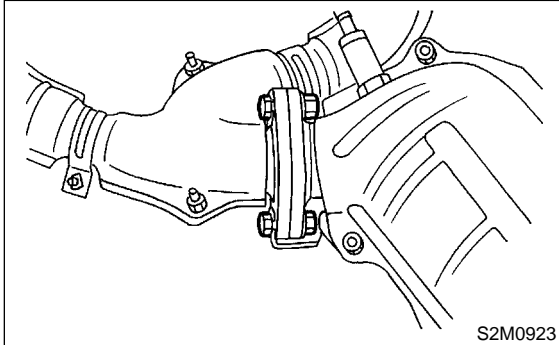
FRONT CATALYTIC CONVERTER

Emission Control (Aux. Emission Control Devices)

10) Separate front catalytic converter from front exhaust pipe.

NOTE:

The rear catalytic converter is integrated with front catalytic converter. Therefore, the procedure for removing rear catalytic converter is the same as the description above.



B: INSTALLATION

S150017A11

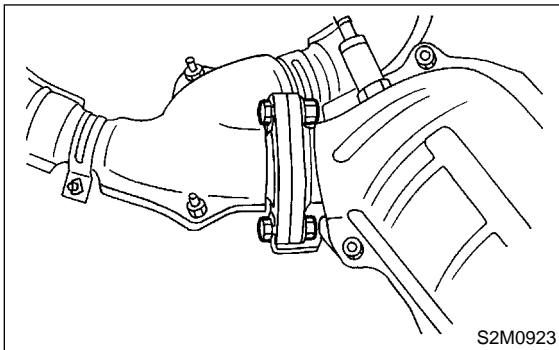
CAUTION:

Replace gaskets with new ones.

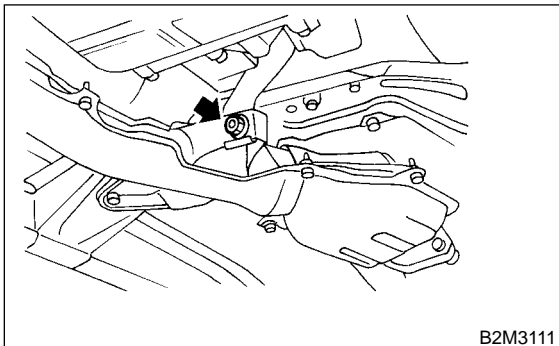
1) Install front catalytic converter to front exhaust pipe.

Tightening torque:

30 N-m (3.1 kgf-m, 22.4 ft-lb)



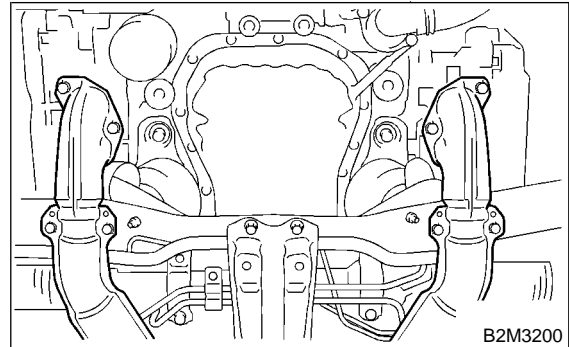
2) Install front exhaust pipe and center exhaust pipe. And temporarily tighten bolt which installs center exhaust pipe to hanger bracket.



3) Tighten bolts which hold front exhaust pipe onto cylinder heads.

Tightening torque:

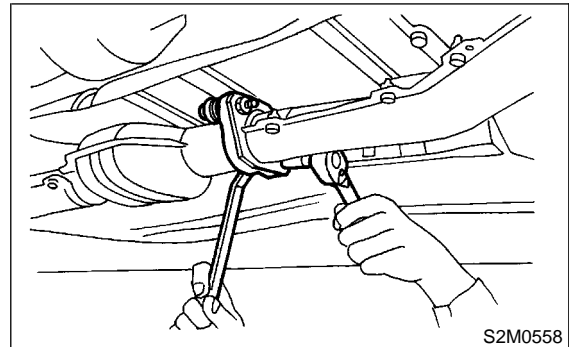
30 N-m (3.1 kgf-m, 22.4 ft-lb)



4) Install center exhaust pipe to rear exhaust pipe.

Tightening torque:

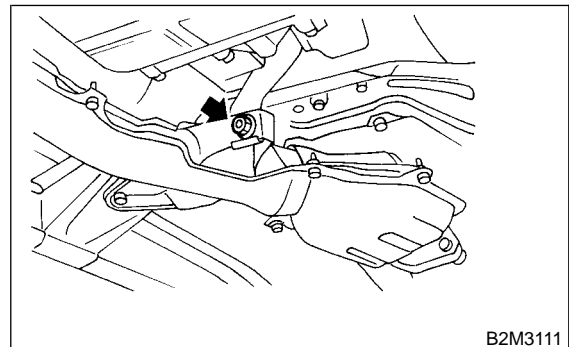
18 N-m (1.8 kgf-m, 13.0 ft-lb)



5) Tighten bolt which holds center exhaust pipe to hanger bracket.

Tightening torque:

35 N-m (3.6 kgf-m, 26.0 ft-lb)

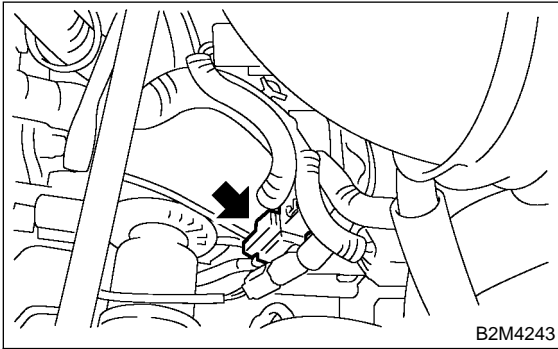


6) Install under cover.

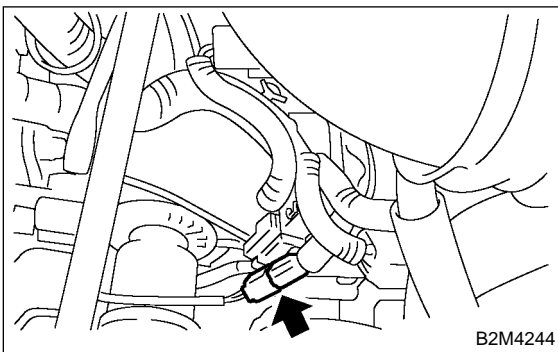
FRONT CATALYTIC CONVERTER

Emission Control (Aux. Emission Control Devices)

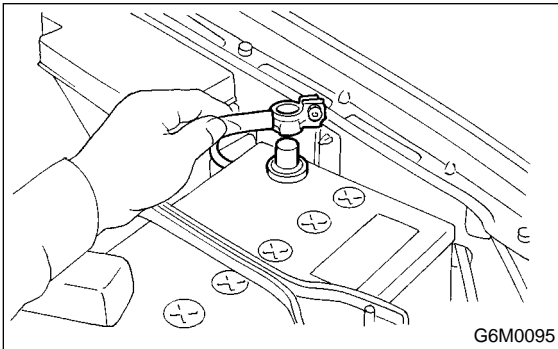
- 7) Lower the vehicle.
- 8) Connect front oxygen (A/F) sensor connector.



- 9) Connect connector to rear oxygen sensor connector.



- 10) Connect battery ground cable.



NOTE:

The rear catalytic converter is integrated with front catalytic converter. Therefore, the procedure for installing rear catalytic converter is the same as the description above.

C: INSPECTION S150017A10

- 1) Make sure there are no exhaust leaks from connections and welds.
- 2) Make sure there are no holes or rusting.

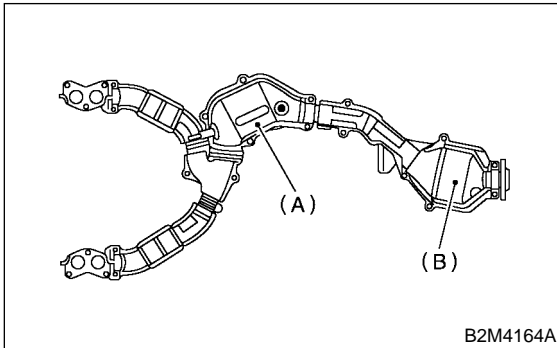
REAR CATALYTIC CONVERTER

Emission Control (Aux. Emission Control Devices)

3. Rear Catalytic Converter S150036

A: REMOVAL S150036A18

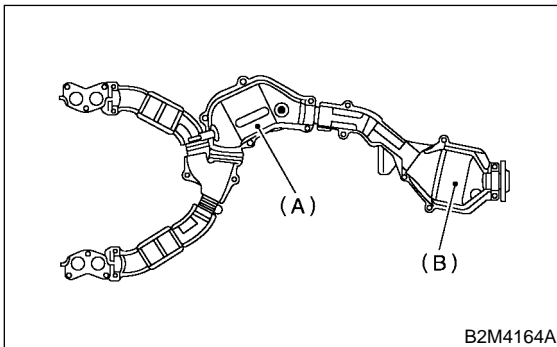
The front and rear catalytic converter and center exhaust pipe are integrated into one unit. Therefore, the removal and installation procedures are the same as the those for the front catalytic converter. <Ref. to EC(SOHC)-3 REMOVAL, Front Catalytic Converter.>



- (A) Front catalytic converter
- (B) Rear catalytic converter

B: INSTALLATION S150036A11

The front and rear catalytic converter and center exhaust pipe are integrated into one unit. Therefore, the removal and installation procedures are the same as the ones described under front catalytic converter. <Ref. to EC(SOHC)-4 INSTALLATION, Front Catalytic Converter.>



- (A) Front catalytic converter
- (B) Rear catalytic converter

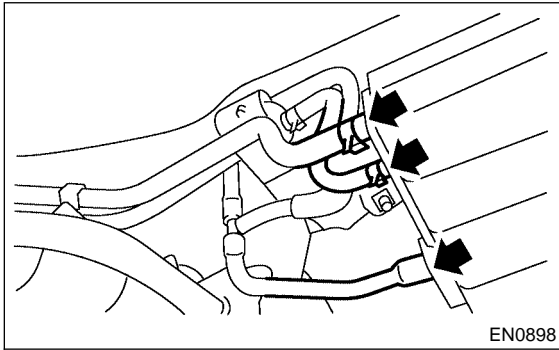
C: INSPECTION S150036A10

- 1) Make sure there are no exhaust leaks from connections and welds.
- 2) Make sure there are no holes or rusting.

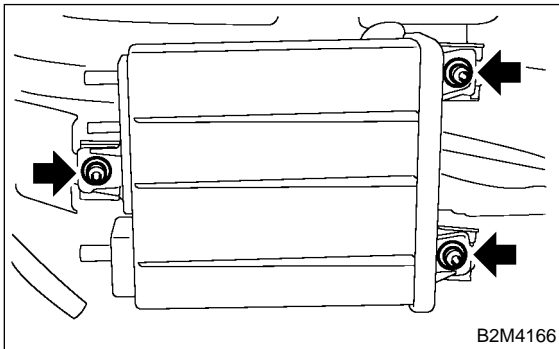
4. Canister S150037

A: REMOVAL S150037A18

- 1) Lift-up the vehicle.
- 2) Loosen two clamps which hold two canister hoses, and disconnect evaporation hose from canister.



- 3) Remove canister from body.

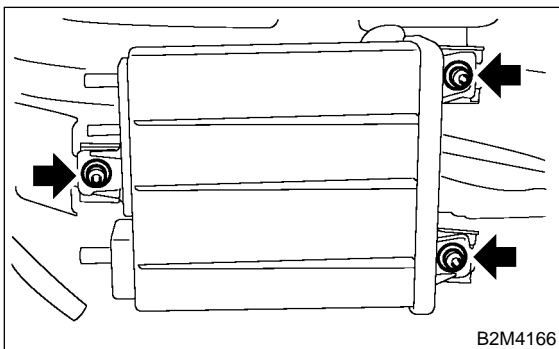


B: INSTALLATION S150037A11

Install in the reverse order of removal.

Tightening torque:

23 N·m (2.3 kgf-m, 17 ft-lb)



C: INSPECTION S150037A10

Make sure the canister and canister hoses are not cracked or loose.

PURGE CONTROL SOLENOID VALVE

Emission Control (Aux. Emission Control Devices)

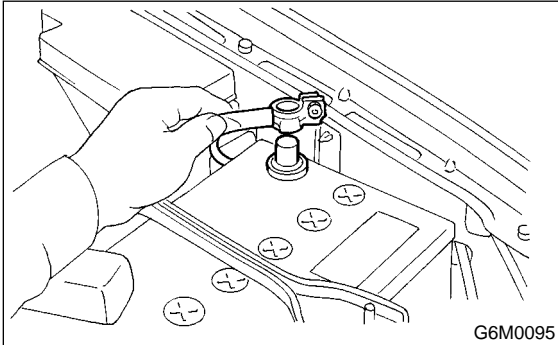
5. Purge Control Solenoid Valve

S150035

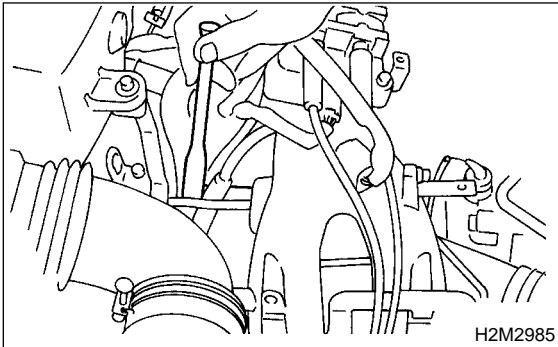
A: REMOVAL

S150035A18

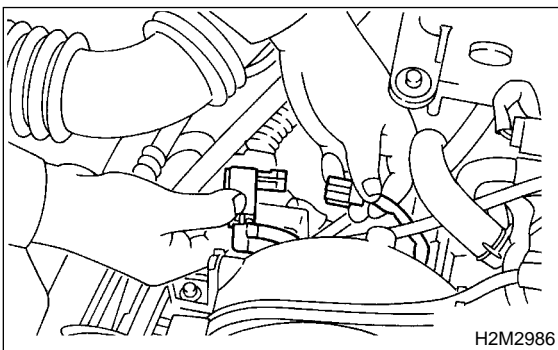
- 1) Disconnect battery ground cable.



- 2) Remove bolt which installs purge control solenoid valve onto intake manifold.



- 3) Take out purge control solenoid valve through the bottom of the intake manifold.
- 4) Disconnect connector and hoses from purge control solenoid valve.



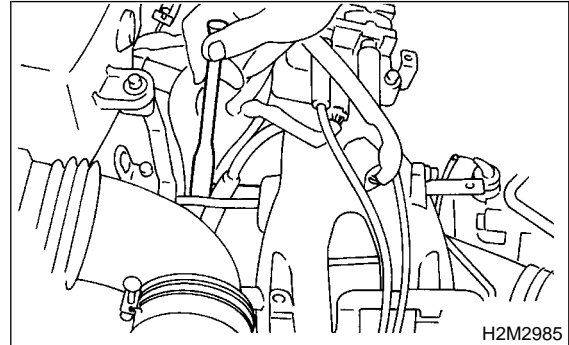
B: INSTALLATION

S150035A11

Install in the reverse order of removal.

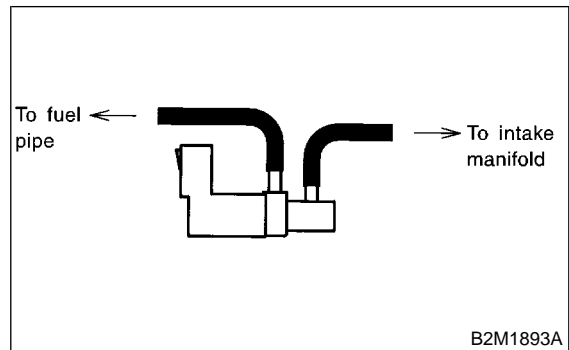
Tightening torque:

16 N·m (1.6 kgf·m, 11.6 ft·lb)



CAUTION:

Carefully connect the evaporation hoses.



C: INSPECTION

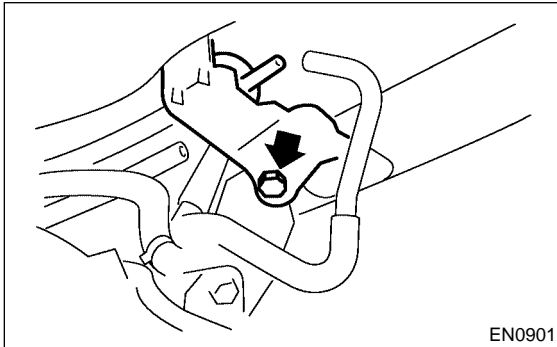
S150035A10

Make sure hoses are not cracked or loose.

6. Two-way Valve S150707

A: REMOVAL S150707A18

- 1) Lift-up the vehicle.
- 2) Remove canister from body. <Ref. to EC(SOHC)-7, REMOVAL, Canister.>
- 3) Remove two-way valve with bracket as a single unit from body.



- 4) Remove two-way valve from bracket.

B: INSTALLATION S150707A11

Install in the reverse order of removal.

C: INSPECTION S150707A10

Make sure that hoses are not cracked or loose.

TWO-WAY VALVE

Emission Control (Aux. Emission Control Devices)

MEMO: