

WIRING SYSTEM SECTION**WIRING SYSTEM****WI**

This service manual has been prepared to provide SUBARU service personnel with the necessary information and data for the correct maintenance and repair of SUBARU vehicles.

This manual includes the procedures for maintenance, disassembling, reassembling, inspection and adjustment of components and diagnostics for guidance of experienced mechanics.

Please peruse and utilize this manual fully to ensure complete repair work for satisfying our customers by keeping their vehicle in optimum condition. When replacement of parts during repair work is needed, be sure to use SUBARU genuine parts.

All information, illustration and specifications contained in this manual are based on the latest product information available at the time of publication approval.

WIRING SYSTEM



	Page
1. Basic Diagnostics Procedure	3
2. Working Precautions	13
3. Power Supply Routing.....	14
4. Ground Distribution	28
5. Airbag System.....	40
6. Air Conditioning System.....	46
7. Anti-lock Brake System.....	50
8. A/T Control System.....	58
9. Audio System	84
10. Back-up Light System	88
11. Charging System.....	89
12. Clearance Light and Illumination Light System	90
13. Combination Meter.....	96
14. Cruise Control System	98
15. Door Lock System.....	104
16. Engine Electrical System	106
17. Front Accessory Power Supply System.....	164
18. Front Fog Light System.....	166
19. Fuel Gauge System	168
20. Full-Time Dual-Range System	170
21. Headlight Beam Leveler System.....	172
22. Headlight System	174
23. Headlight Washer System.....	176
24. Horn System.....	177
25. Immobilizer System	178
26. In Compartment Light System	186
27. Keyless Entry System	190
28. Oil Pressure and Temperature Gauge System.....	196
29. Outside Temperature Display System.....	198
30. Parking Brake and Brake Fluid Level Warning System.....	200
31. Power Window System	202
32. Radiator Fan System	210
33. Rear Accessory Power Supply System.....	211
34. Rear Differential Oil Temperature Warning System.....	212
35. Rear Fog Light System	214
36. Rear Window Defogger System.....	216
37. Remote Controlled Rearview Mirror System	218
38. Seat Belt Warning System	222
39. Seat Heater System.....	224
40. Starter System.....	225
41. Stop Light System.....	226
42. Sunroof System.....	227
43. Turn Signal Light and Hazard Light System.....	228
44. Wiper and Washer System (Front)	232

DIAGNOSTICS CHART WITH TROUBLE CODE

Wiring System

45.	Wiper and Washer System (Rear)	233
46.	Wiper Deicer System	234
47.	Overall Systems	236
48.	Front Wiring Harness	238
49.	Bulkhead Wiring Harness (In Engine Room).....	242
50.	Bulkhead Wiring Harness (In Compartment).....	254
51.	Engine Wiring Harness and Transmission Cord.....	260
52.	Instrument Panel Wiring Harness	266
53.	Rear Wiring Harness.....	270
54.	Door Cord.....	274
55.	Rear Gate Cord.....	278

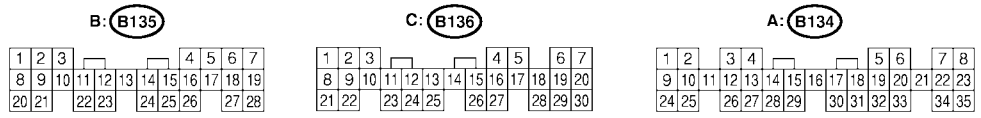
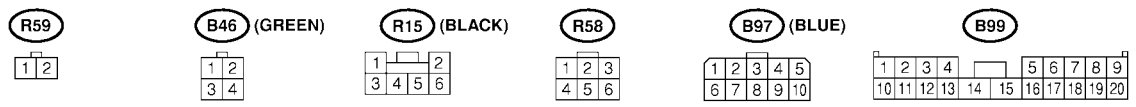
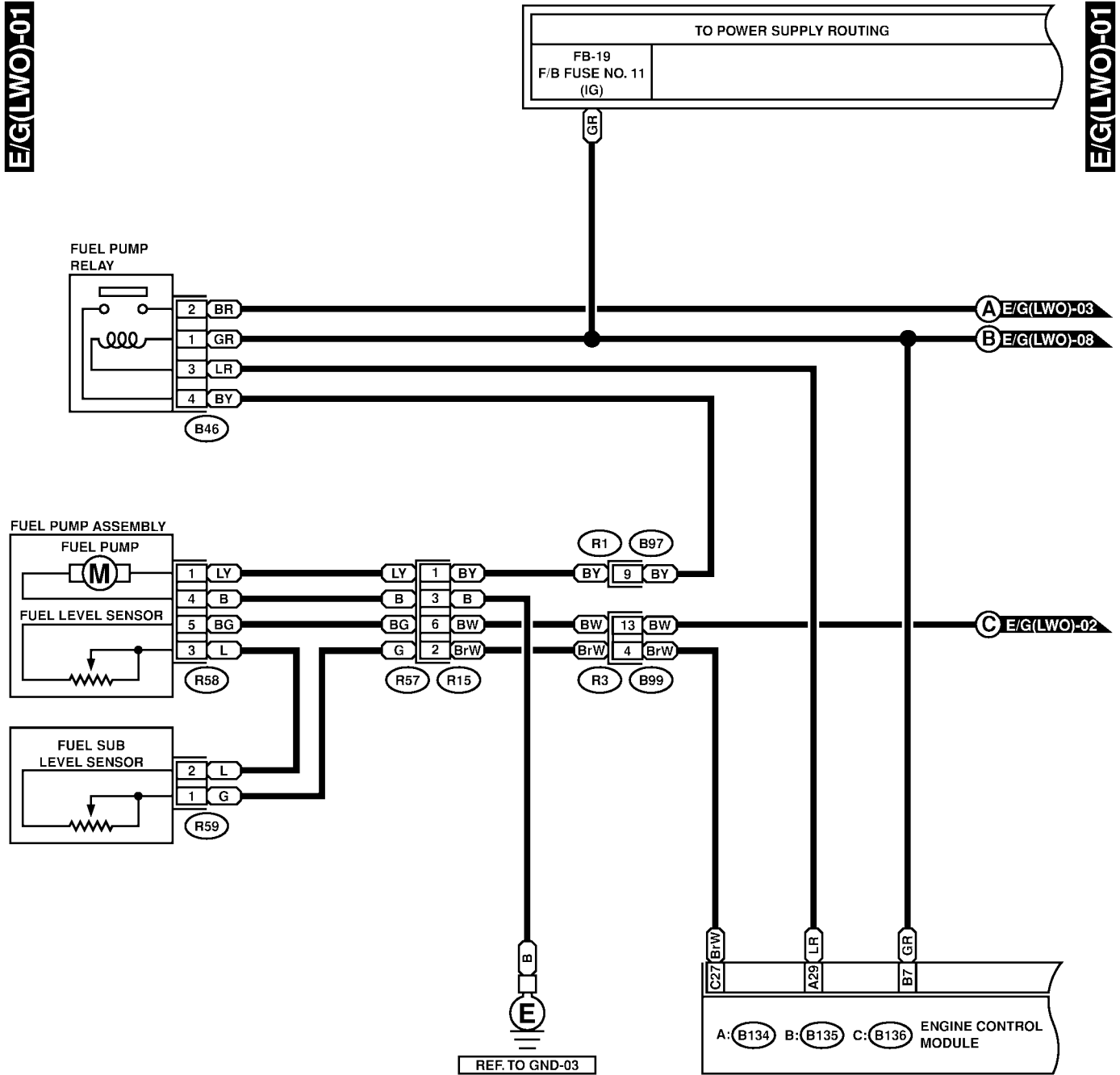
ENGINE ELECTRICAL SYSTEM

Wiring System

16. Engine Electrical System S903482

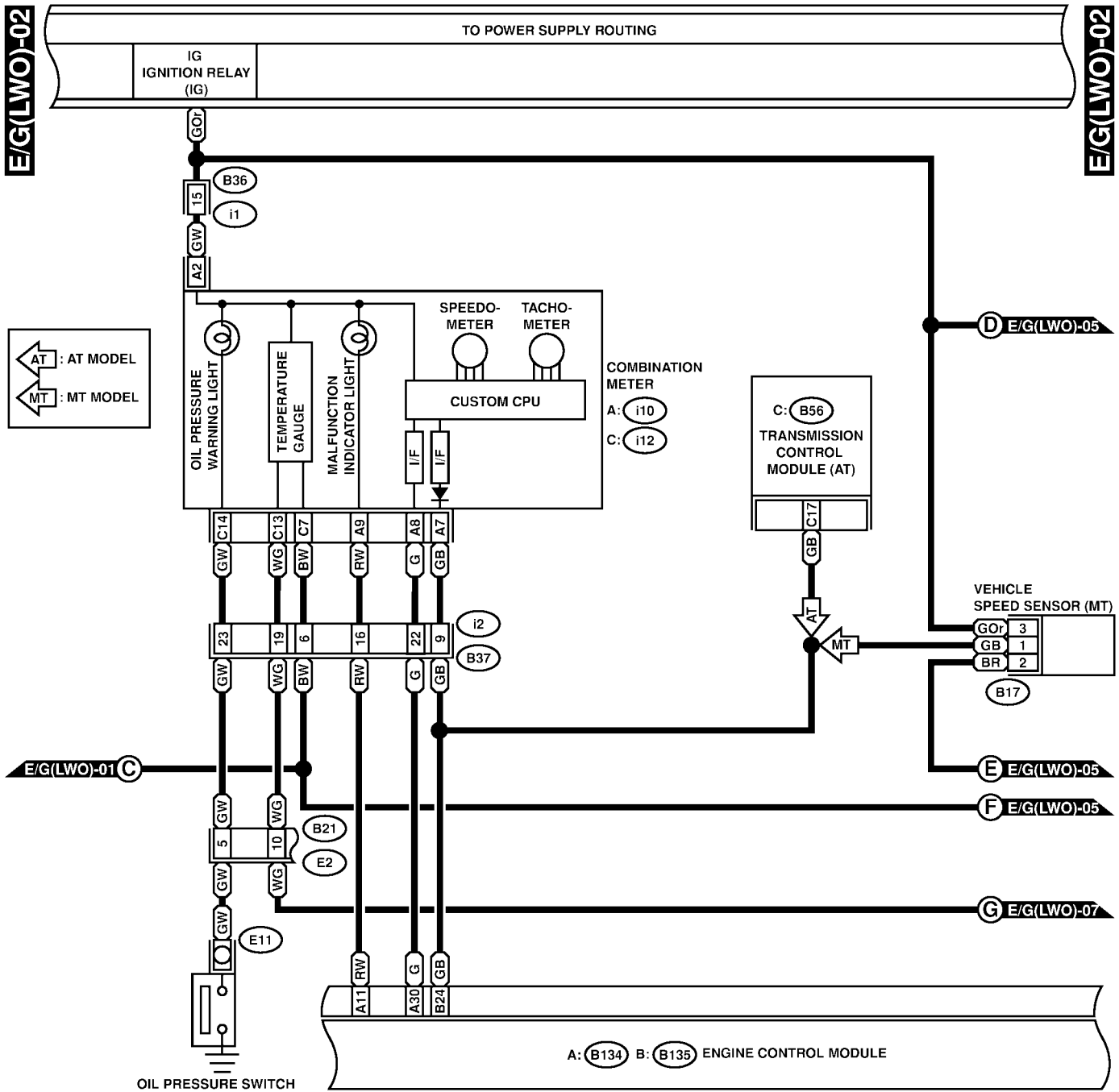
A: SCHEMATIC S903482A21

1. LHD SOHC MODEL S903482A2121

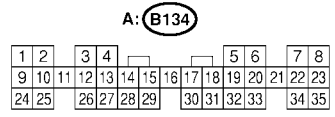
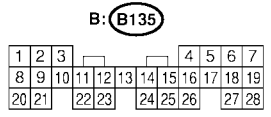
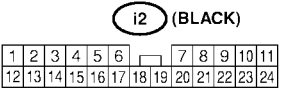
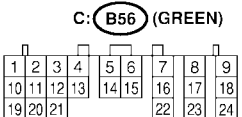
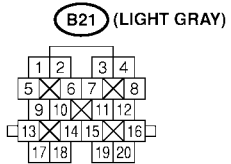
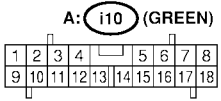
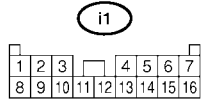
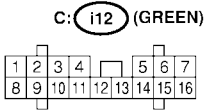


ENGINE ELECTRICAL SYSTEM

Wiring System

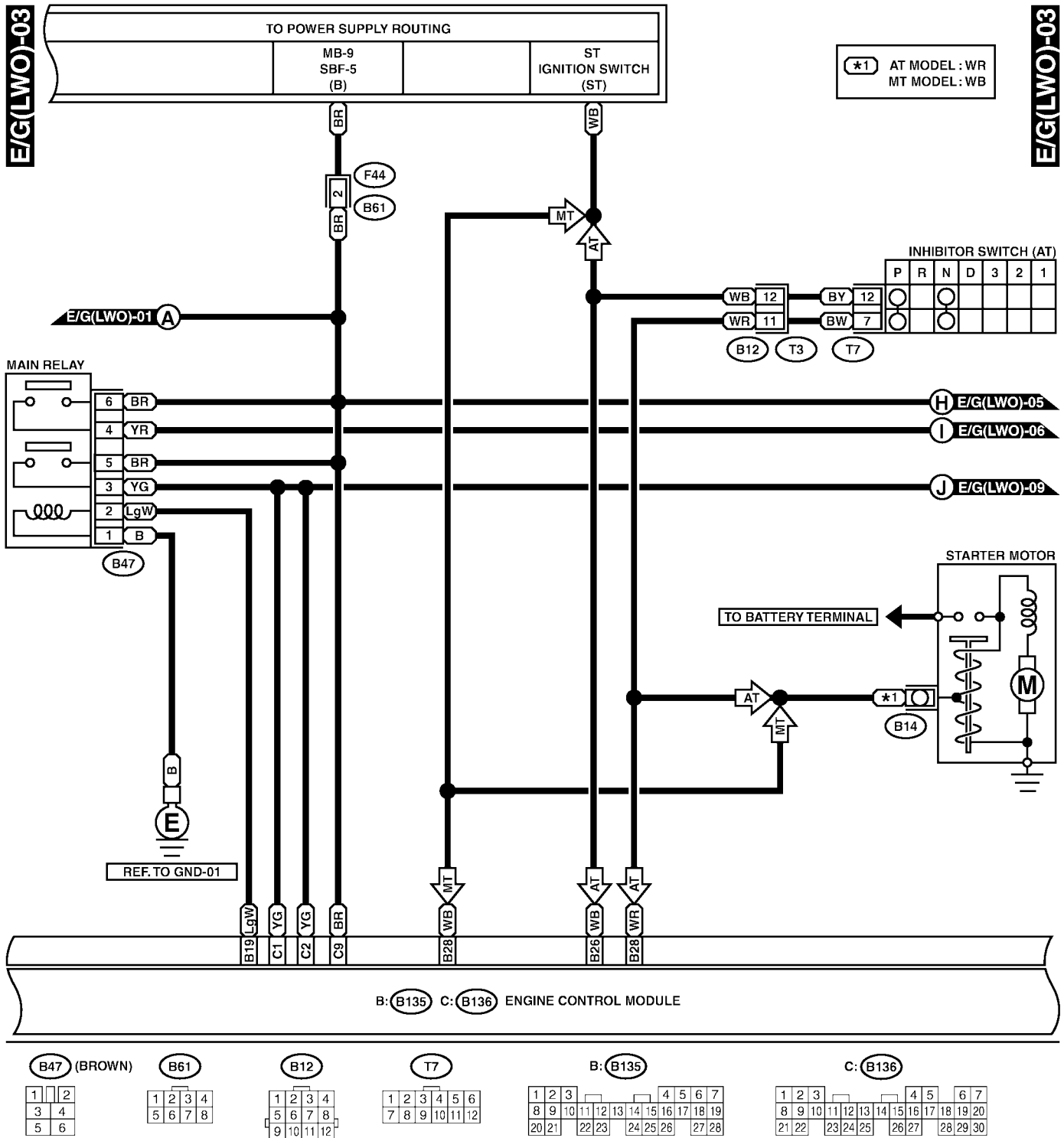


← AT : AT MODEL
 ← MT : MT MODEL



ENGINE ELECTRICAL SYSTEM

Wiring System

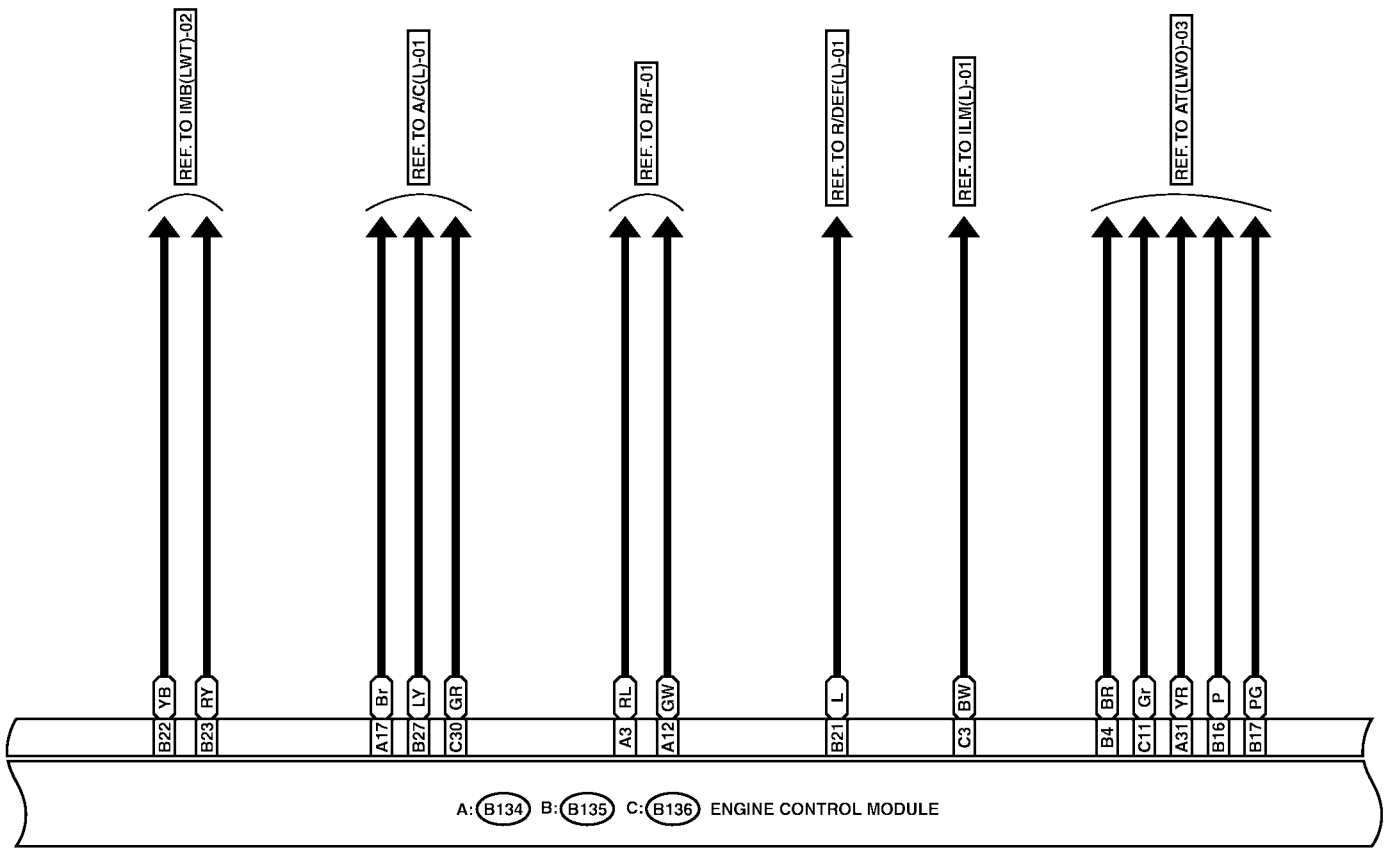


ENGINE ELECTRICAL SYSTEM

Wiring System

E/G(LWO)-04

E/G(LWO)-04



B: **B135**

1	2	3		4	5	6	7				
8	9	10	11	12	13	14	15	16	17	18	19
20	21	22	23	24	25	26	27	28			

C: **B136**

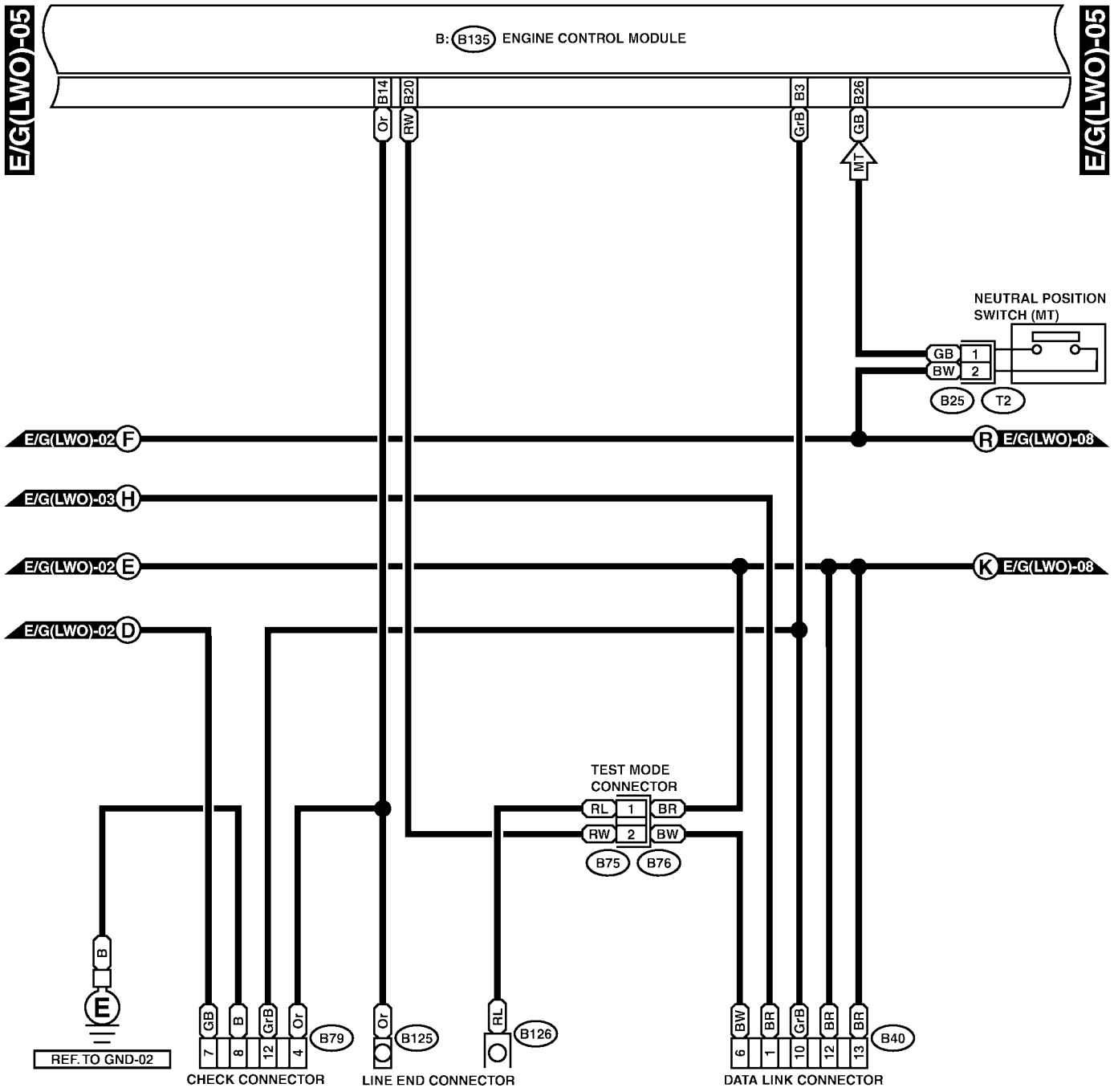
1	2	3		4	5	6	7					
8	9	10	11	12	13	14	15	16	17	18	19	20
21	22	23	24	25	26	27	28	29	30			

A: **B134**

1	2	3	4		5	6	7	8						
9	10	11	12	13	14	15	16	17	18	19	20	21	22	23
24	25	26	27	28	29	30	31	32	33	34	35			

ENGINE ELECTRICAL SYSTEM

Wiring System



B25 (BROWN)



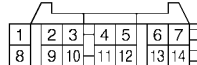
B75 (GREEN)



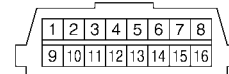
B76 (GREEN)



B79 (GRAY)



B40 (GRAY)

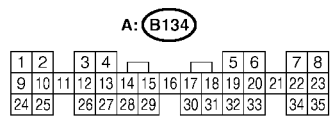
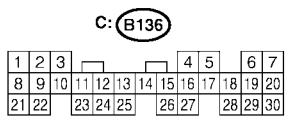
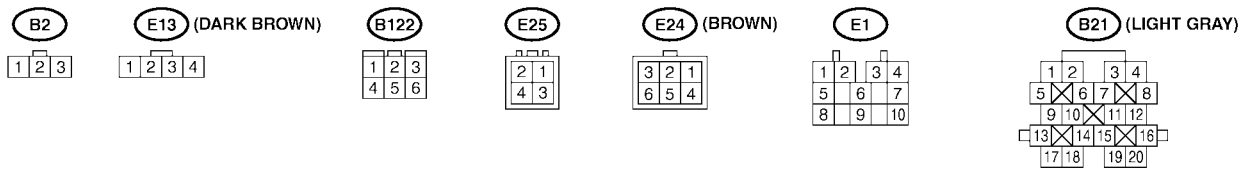
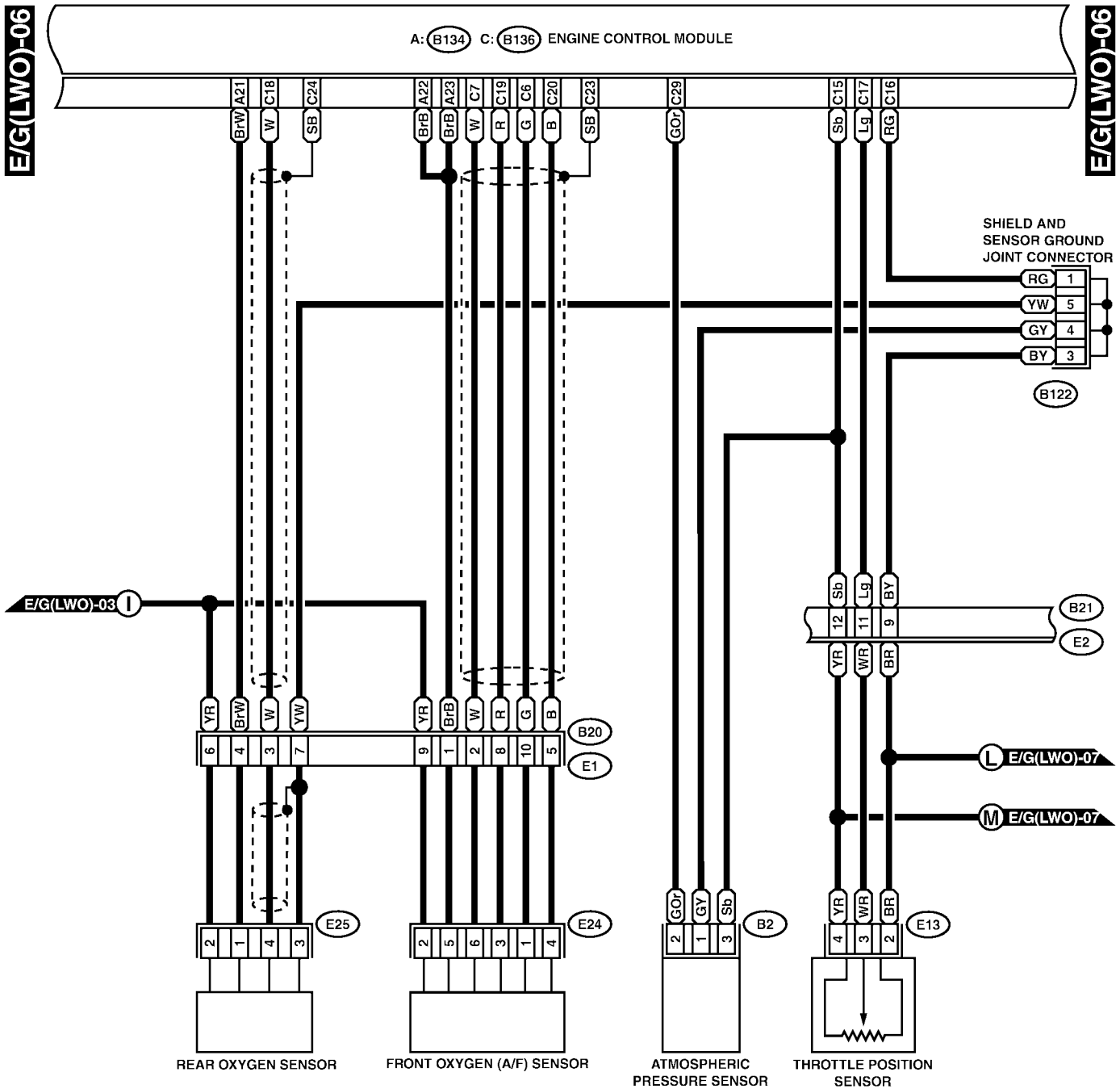


B: (B135)



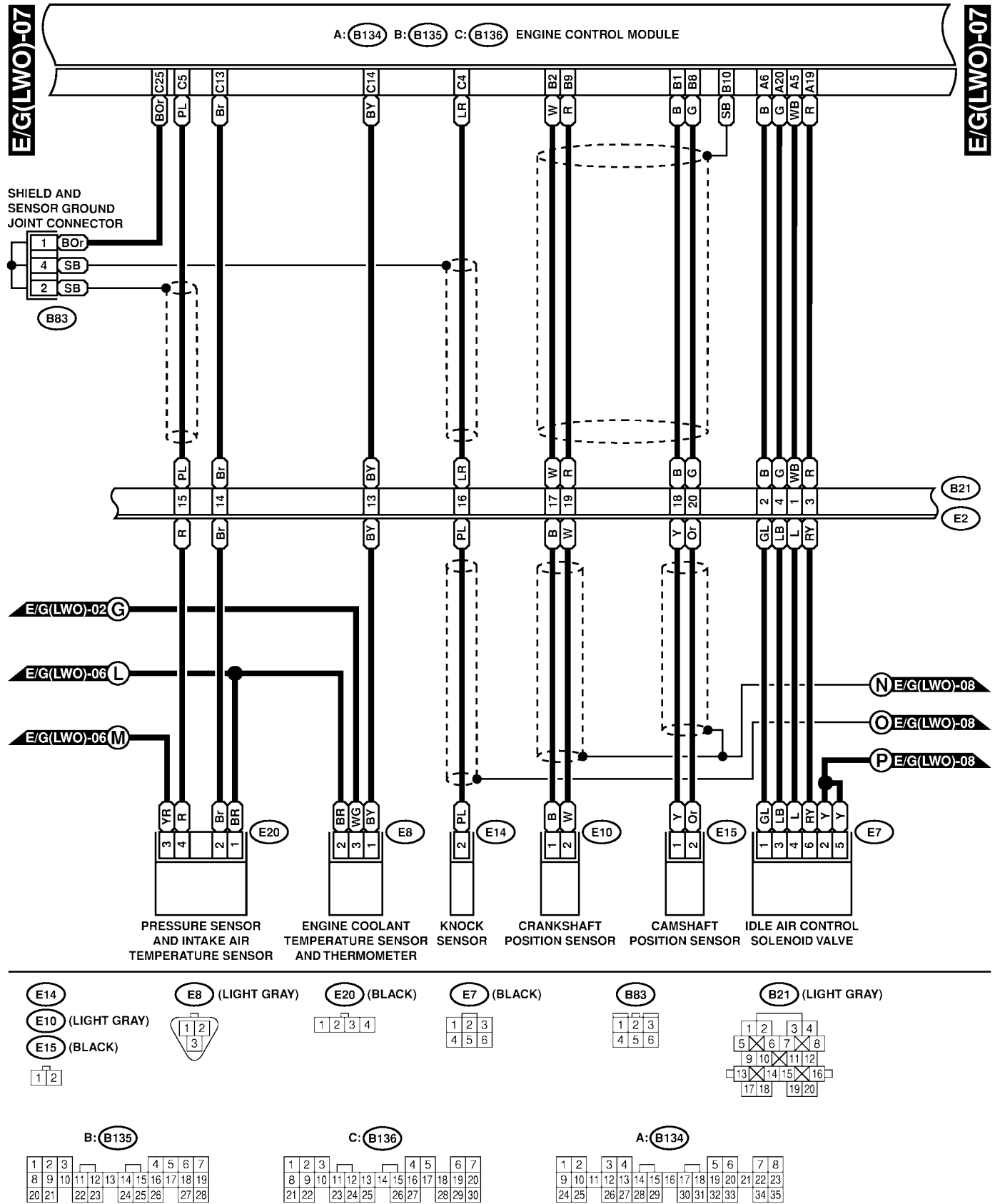
ENGINE ELECTRICAL SYSTEM

Wiring System



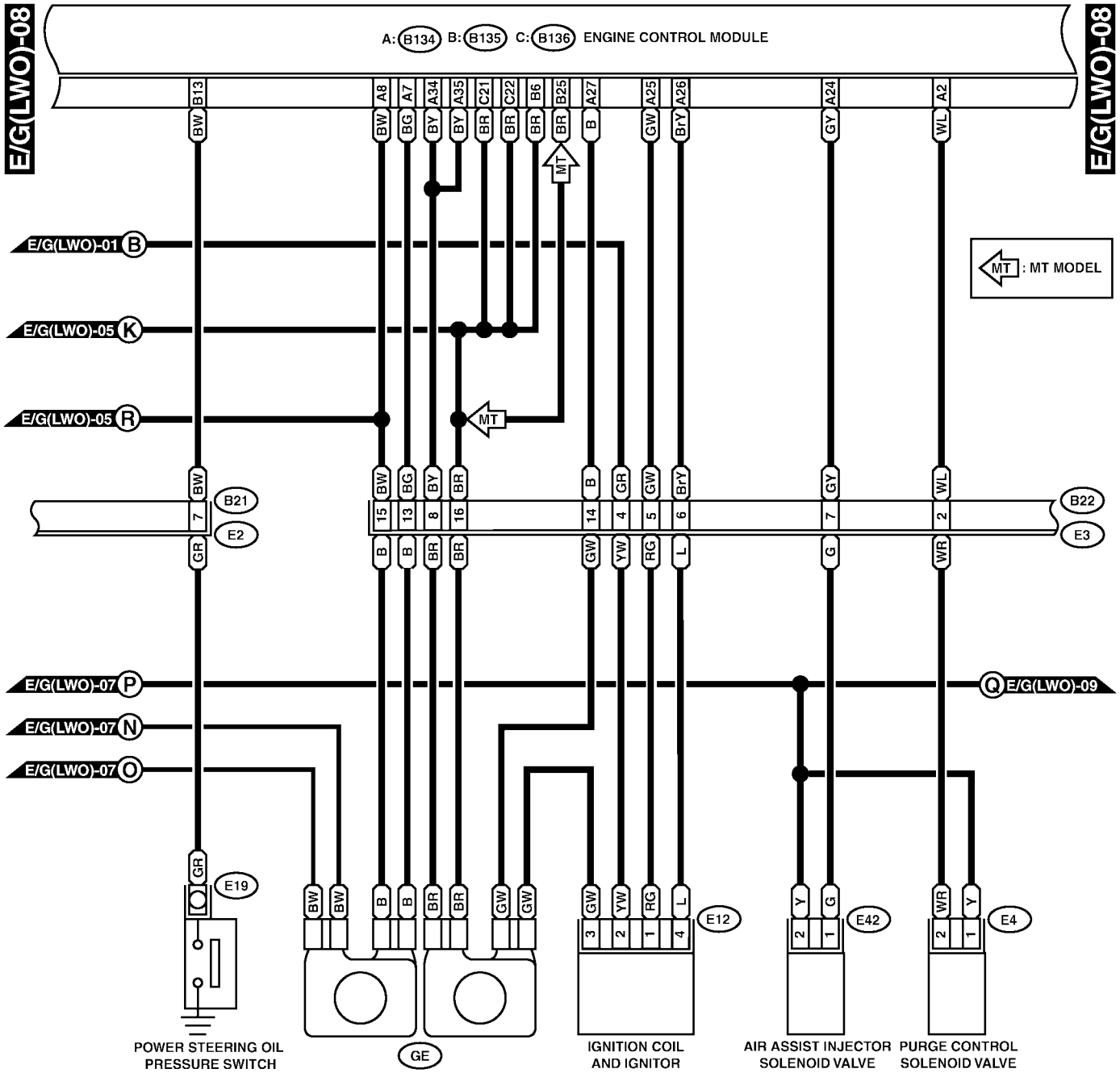
ENGINE ELECTRICAL SYSTEM

Wiring System



ENGINE ELECTRICAL SYSTEM

Wiring System



E4 (BLACK)

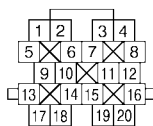
E12 (DARK GRAY)

B22 (BROWN)

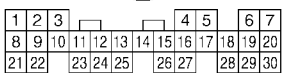
B21 (LIGHT GRAY)

B: B135

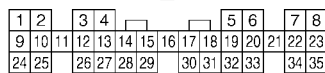
E42 (PURPLE)



C: B136

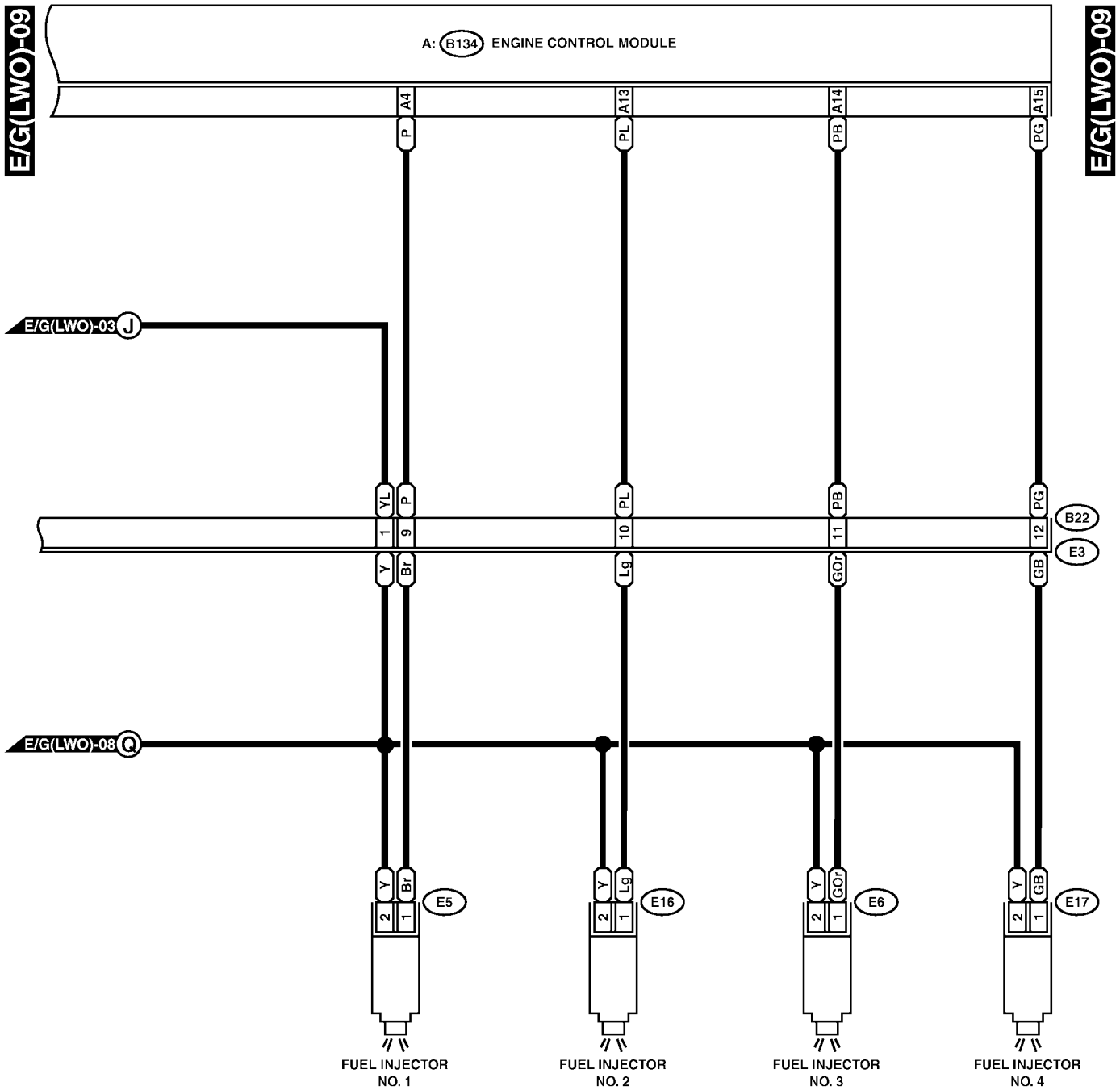


A: B134



ENGINE ELECTRICAL SYSTEM

Wiring System



E5 (LIGHT GRAY)

E6 (LIGHT GRAY)

E16 (LIGHT GRAY)

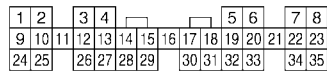
E17 (LIGHT GRAY)



B22 (BROWN)



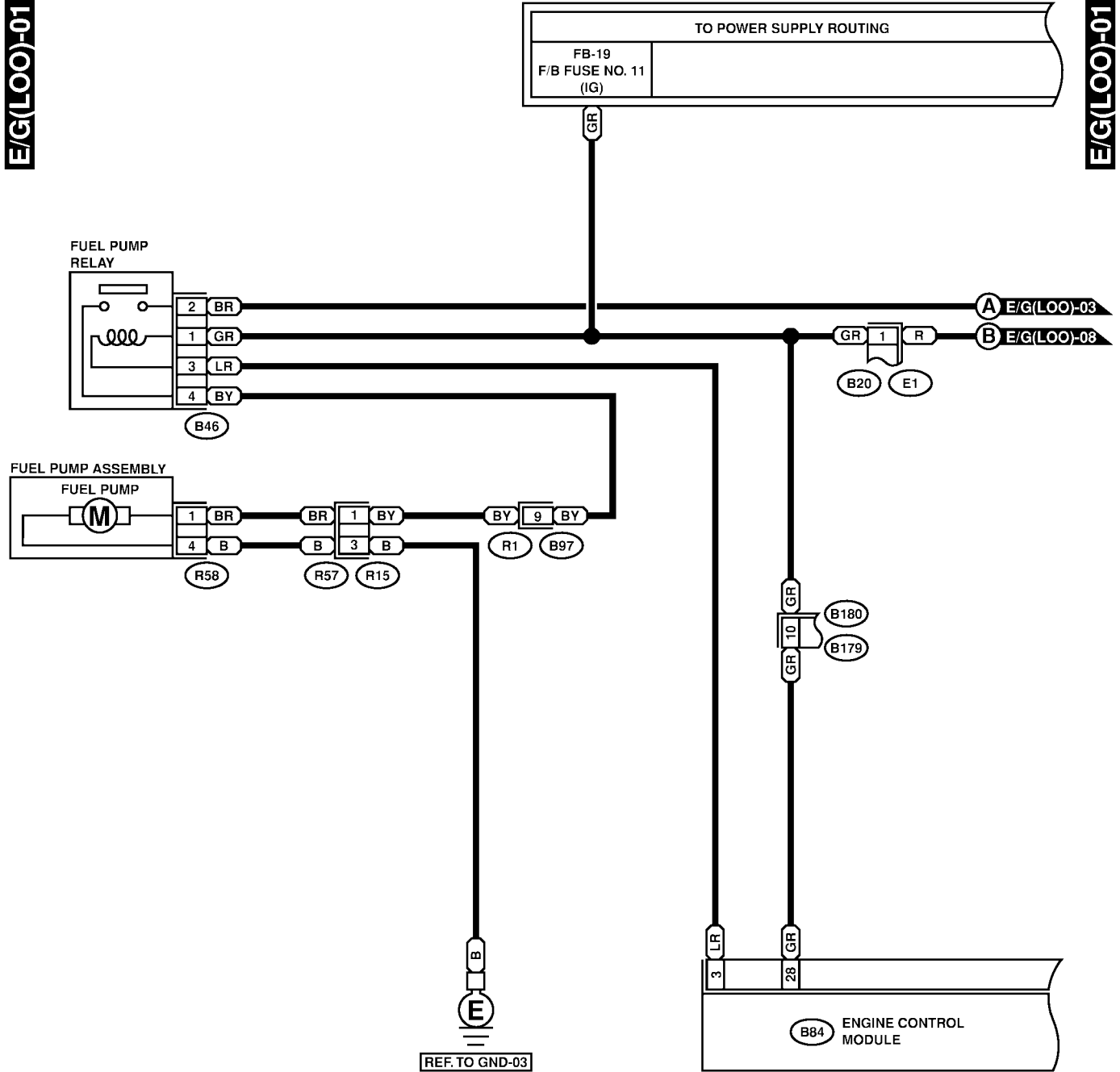
A: (B134)



ENGINE ELECTRICAL SYSTEM

Wiring System

2. LHD SOHC W/O OBD MODEL S903482A2120



B46 (GREEN)



R15 (BLACK)



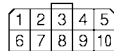
B20 (GRAY)



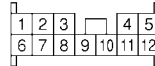
R58



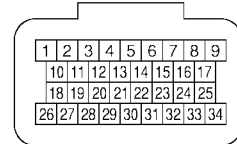
B97 (BLUE)



B179

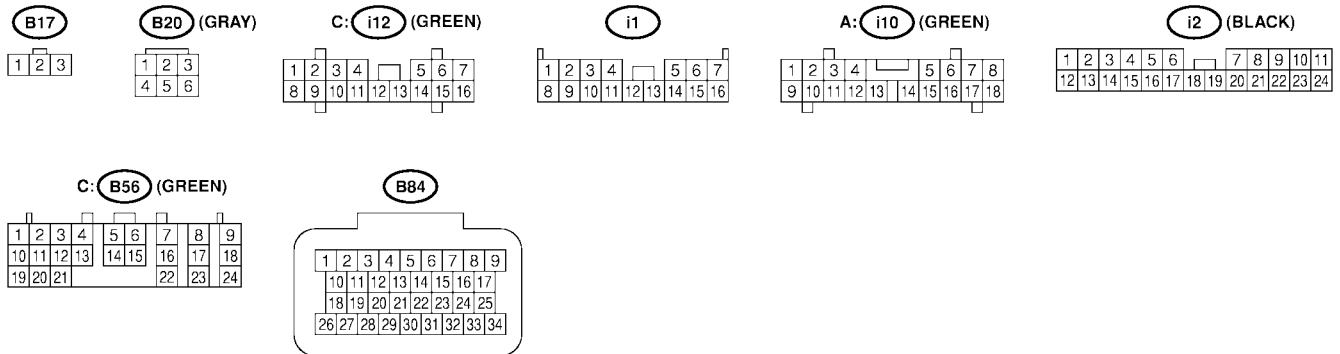
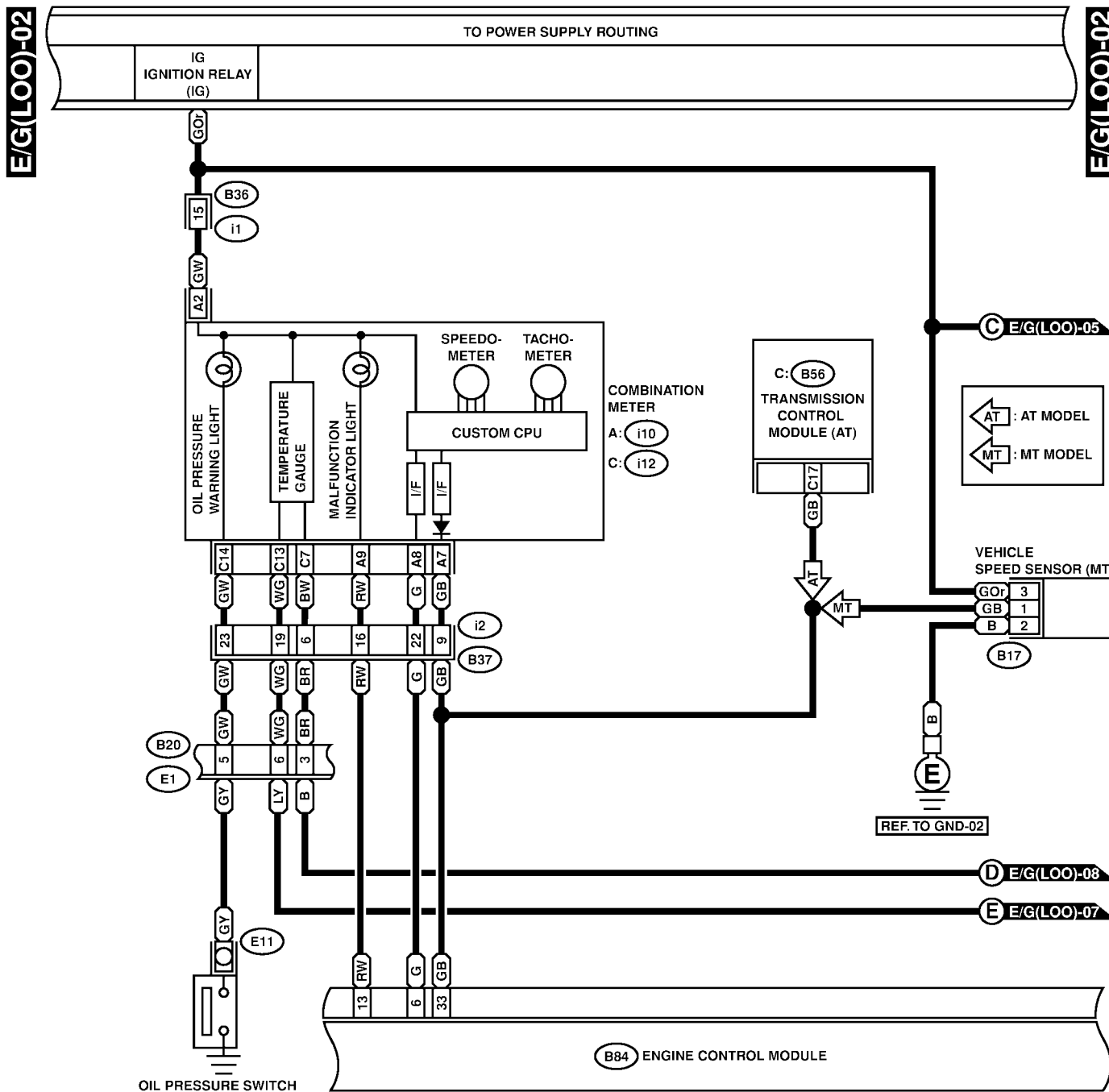


B84



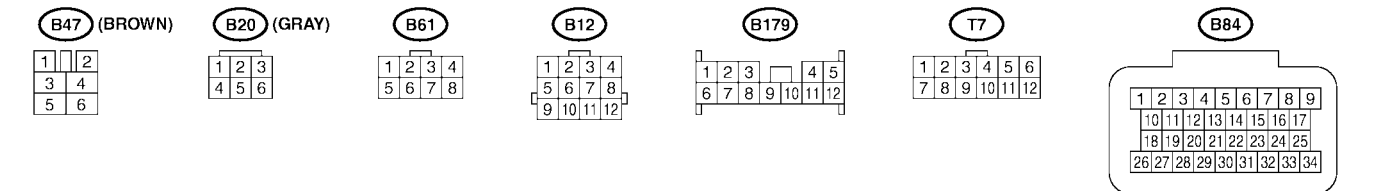
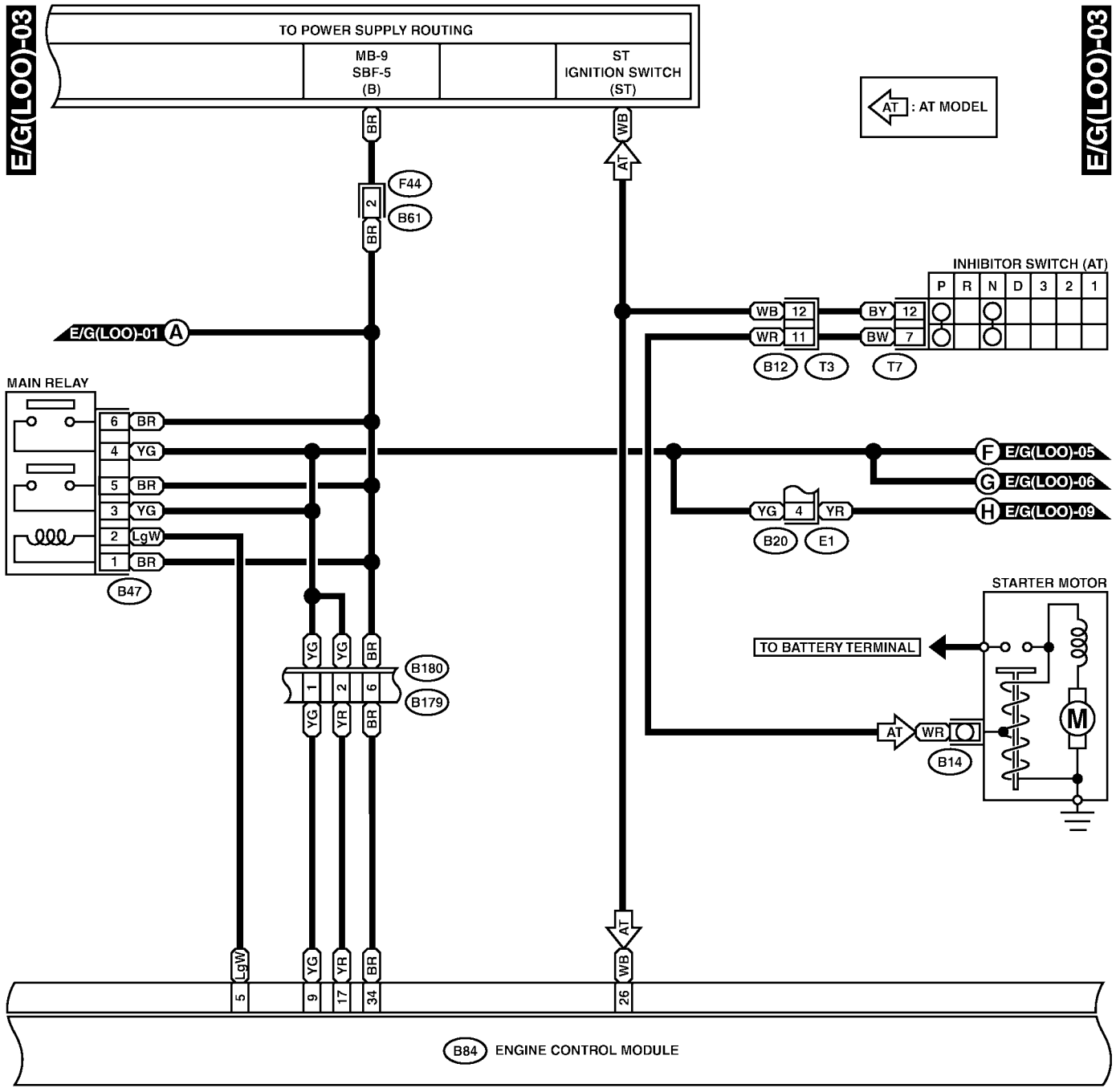
ENGINE ELECTRICAL SYSTEM

Wiring System



ENGINE ELECTRICAL SYSTEM

Wiring System

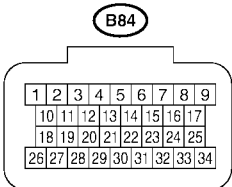
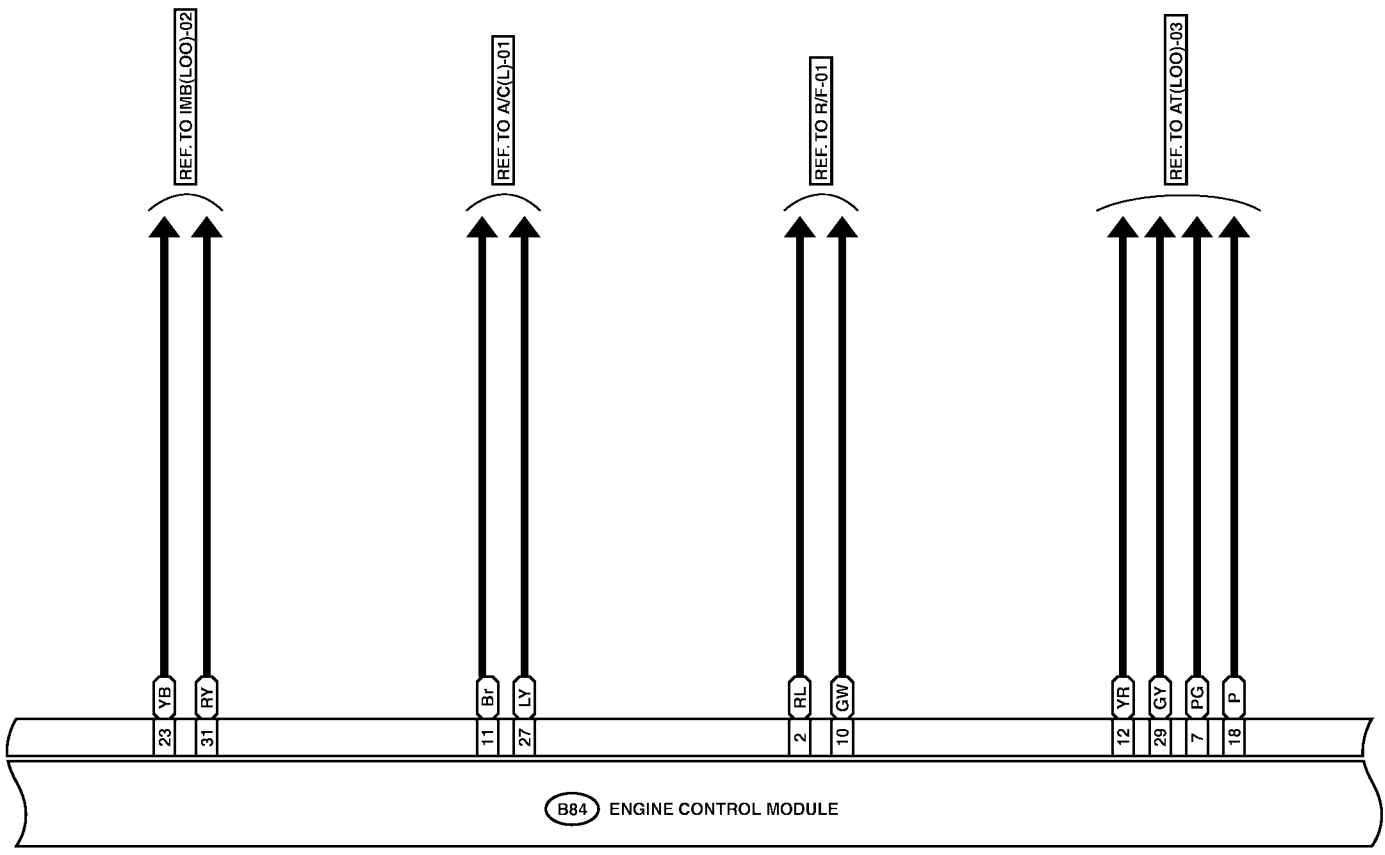


ENGINE ELECTRICAL SYSTEM

Wiring System

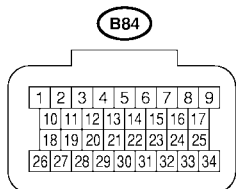
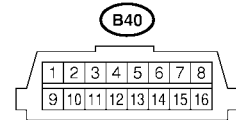
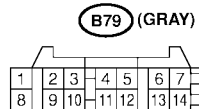
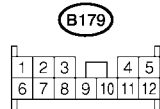
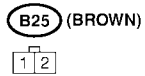
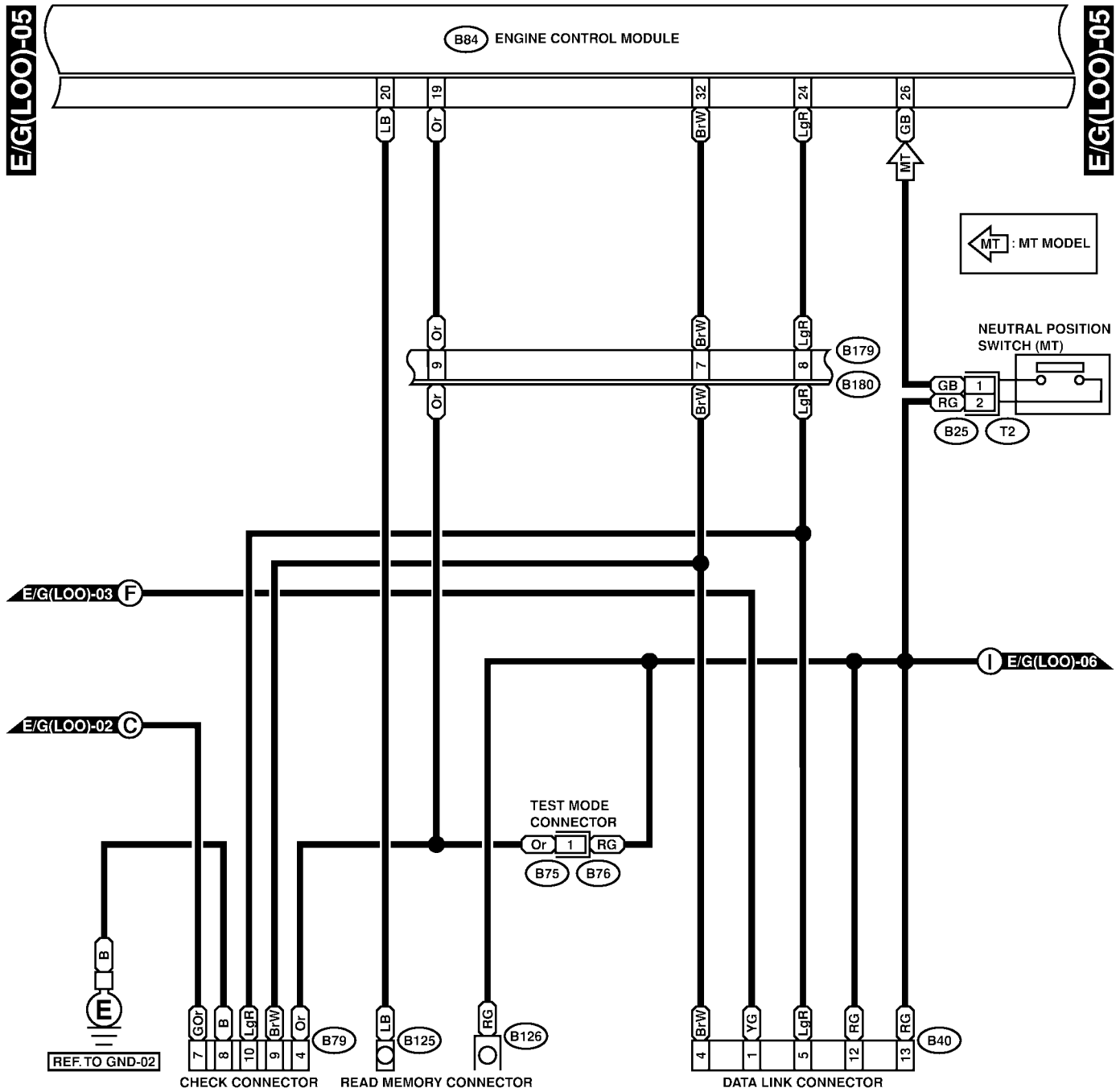
E/G(LOO)-04

E/G(LOO)-04



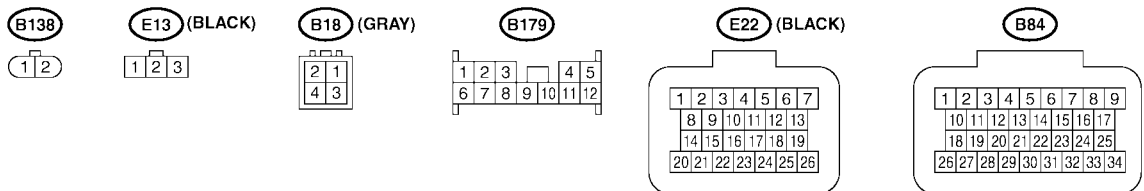
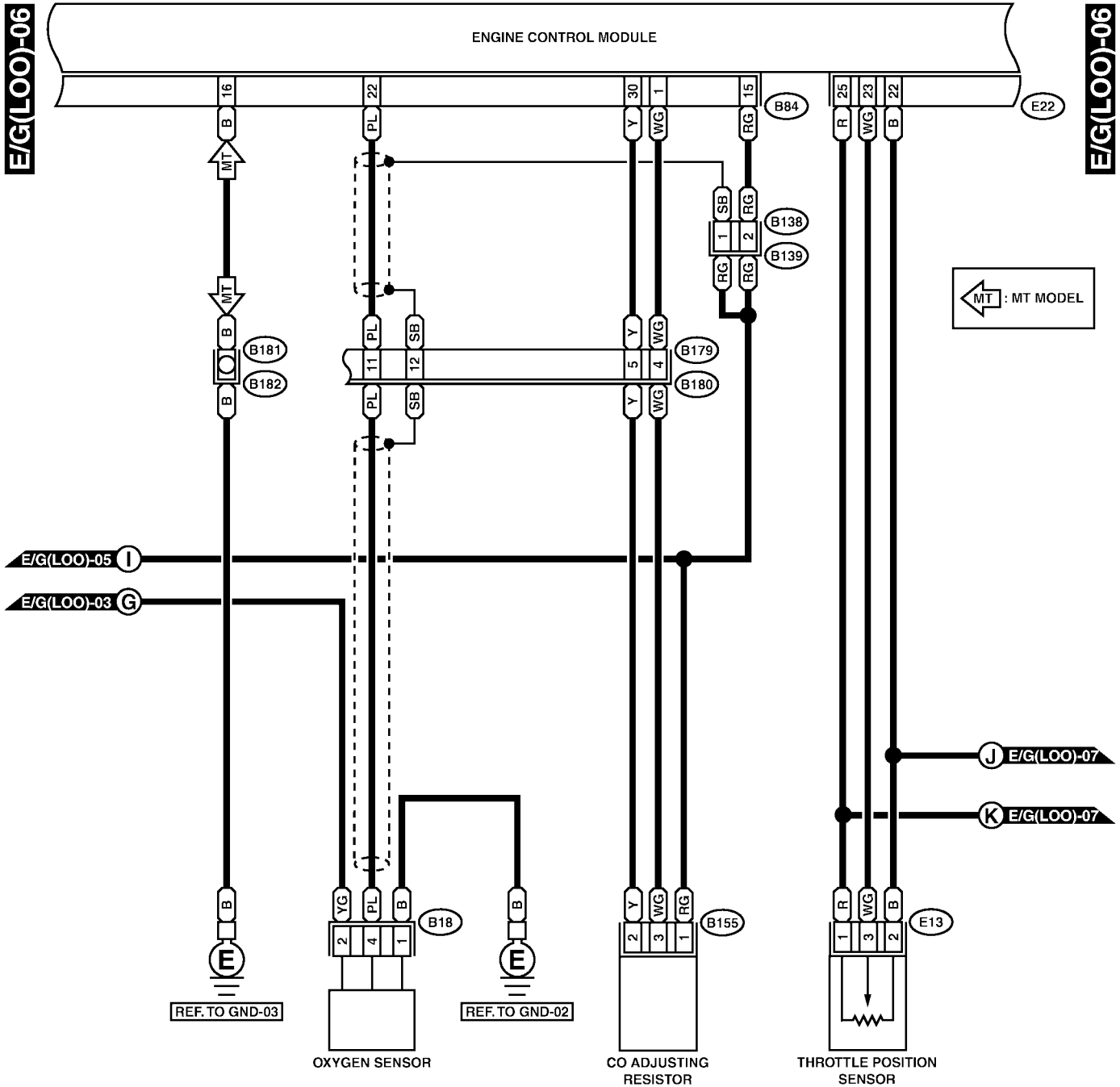
ENGINE ELECTRICAL SYSTEM

Wiring System



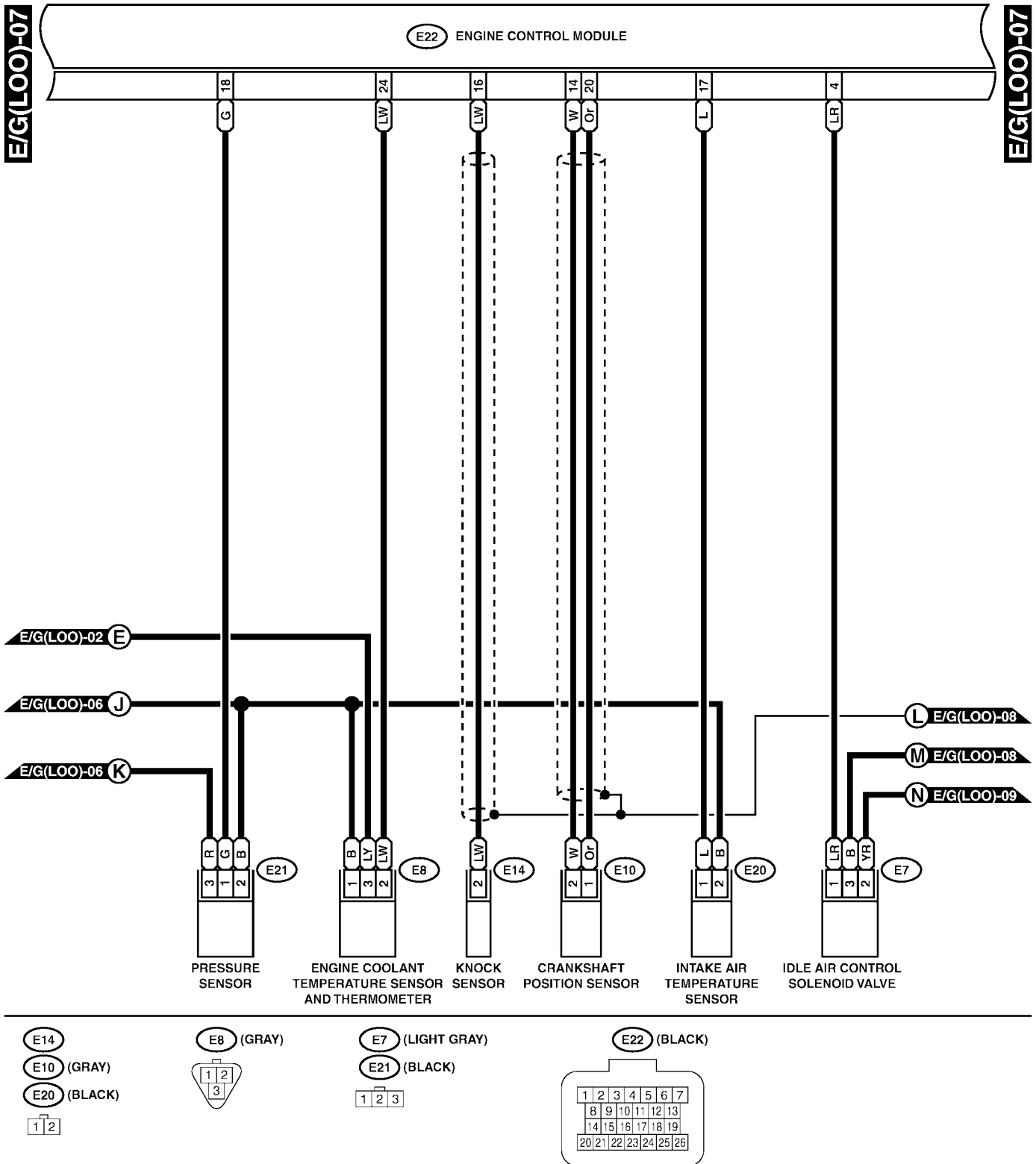
ENGINE ELECTRICAL SYSTEM

Wiring System



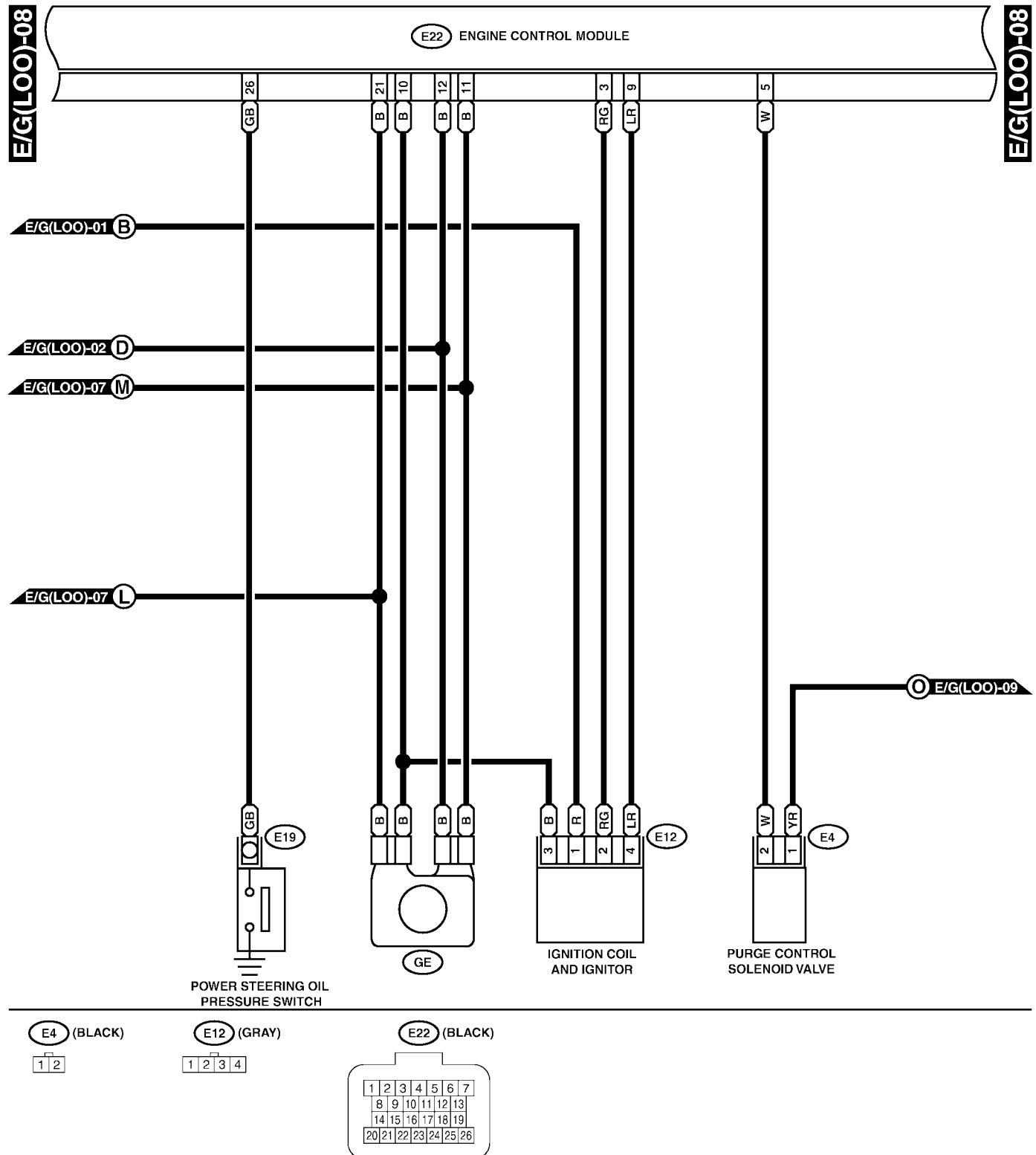
ENGINE ELECTRICAL SYSTEM

Wiring System



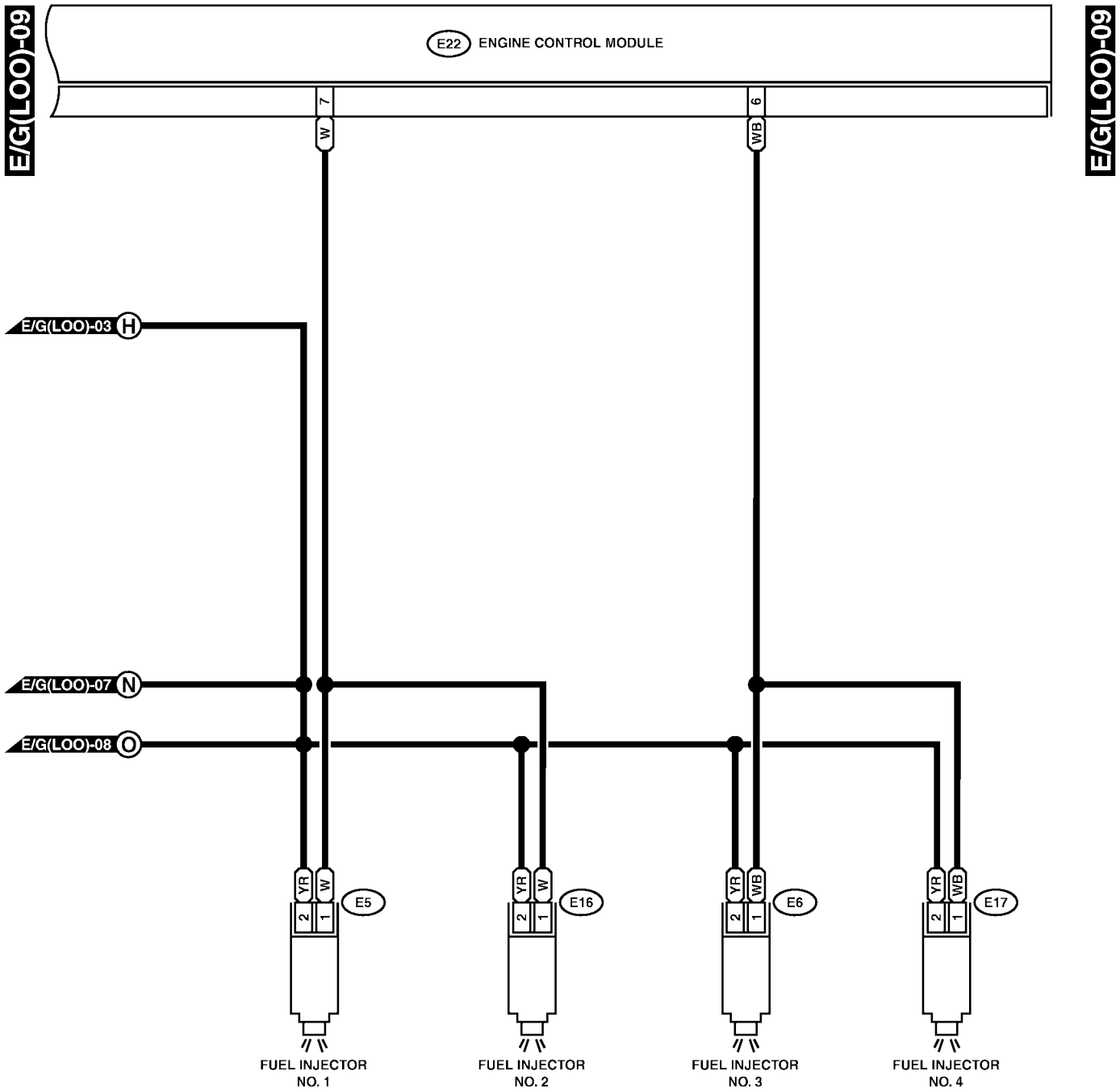
ENGINE ELECTRICAL SYSTEM

Wiring System



ENGINE ELECTRICAL SYSTEM

Wiring System



E5 (DARK GRAY)

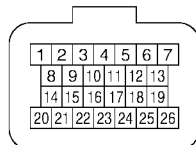
E6 (DARK GRAY)

E16 (DARK GRAY)

E17 (DARK GRAY)



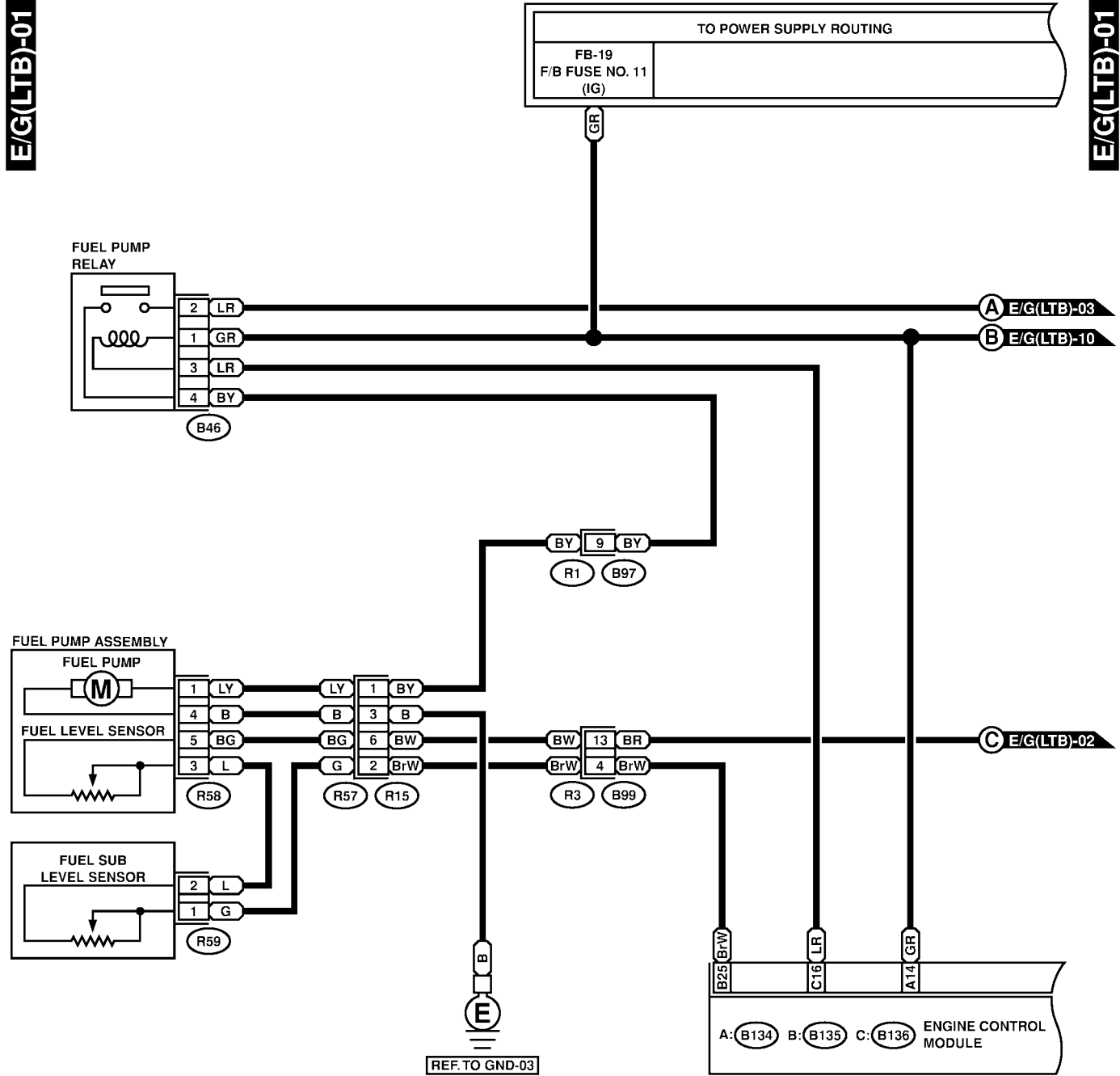
E22 (BLACK)



ENGINE ELECTRICAL SYSTEM

Wiring System

3. LHD DOHC TURBO MODEL S903482A2122



(R59)



(B46) (GREEN)



(R15) (BLACK)



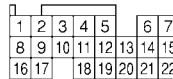
(R58)



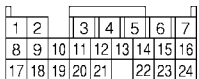
(B97)



A: (B134)



C: (B136)



(B99)

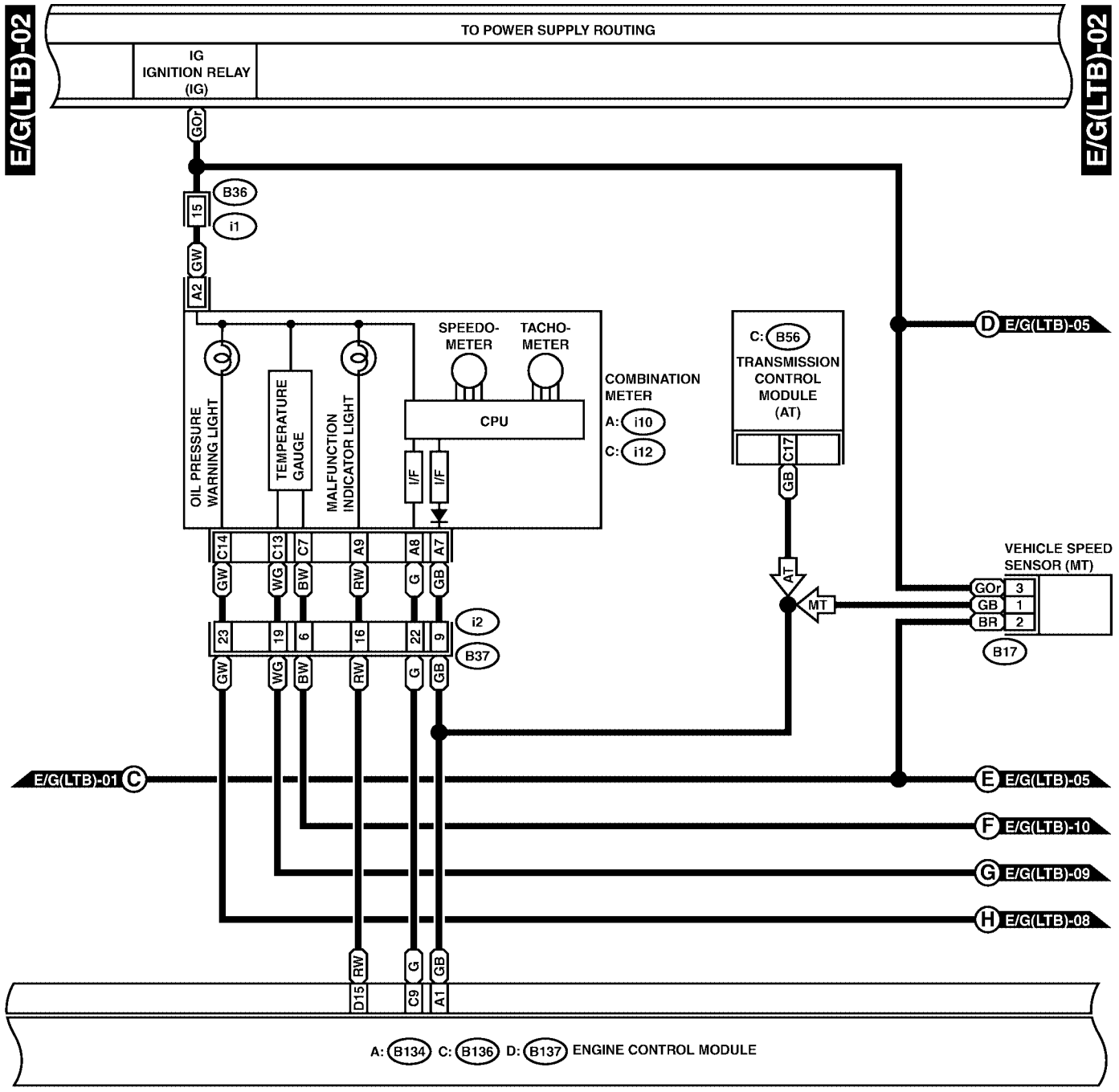


B: (B135)



ENGINE ELECTRICAL SYSTEM

Wiring System



B17

1	2
3	4

i1

1	2	3	4	5	6	7		
8	9	10	11	12	13	14	15	16

C: i12 (GREEN)

1	2	3	4	5	6	7		
8	9	10	11	12	13	14	15	16

A: i10 (GREEN)

1	2	3	4	5	6	7	8		
9	10	11	12	13	14	15	16	17	18

A: B134

1	2	3	4	5	6	7	
8	9	10	11	12	13	14	15
16	17	18	19	20	21	22	

C: B136

1	2	3	4	5	6	7		
8	9	10	11	12	13	14	15	16
17	18	19	20	21	22	23	24	

i2 (BLACK)

1	2	3	4	5	6	7	8	9	10	11		
12	13	14	15	16	17	18	19	20	21	22	23	24

C: B56 (GREEN)

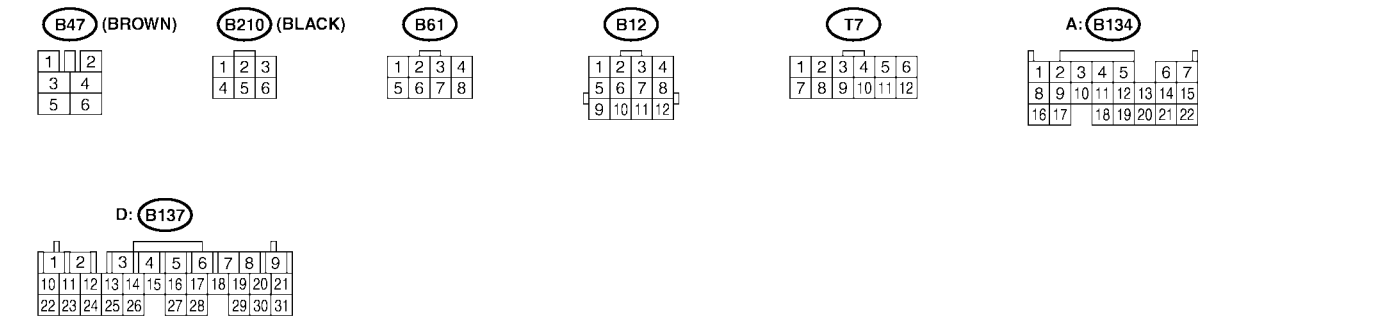
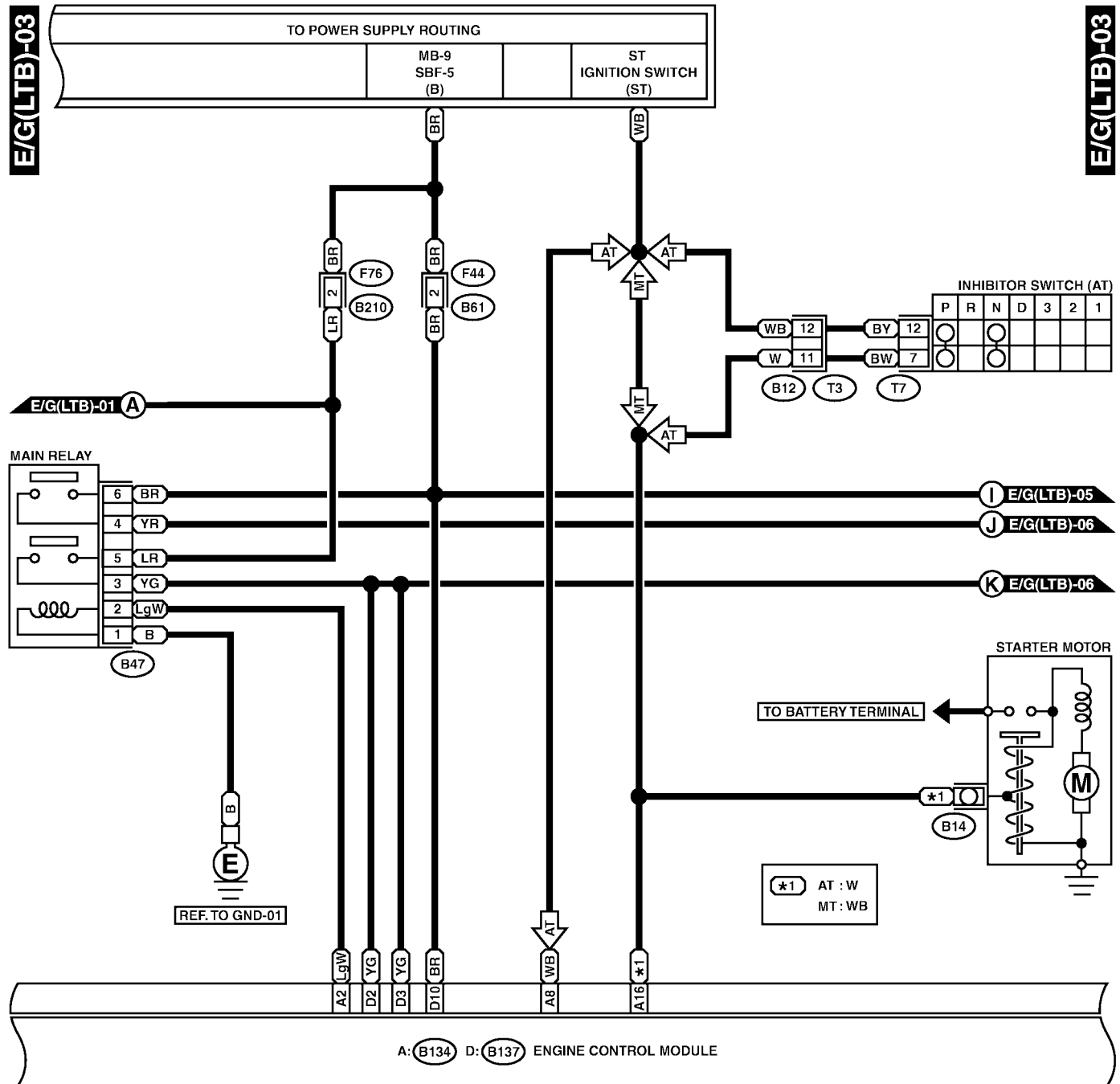
1	2	3	4	5	6	7	8	9
10	11	12	13	14	15	16	17	18
19	20	21	22	23	24			

D: B137

1	2	3	4	5	6	7	8	9			
10	11	12	13	14	15	16	17	18	19	20	21
22	23	24	25	26	27	28	29	30	31		

ENGINE ELECTRICAL SYSTEM

Wiring System

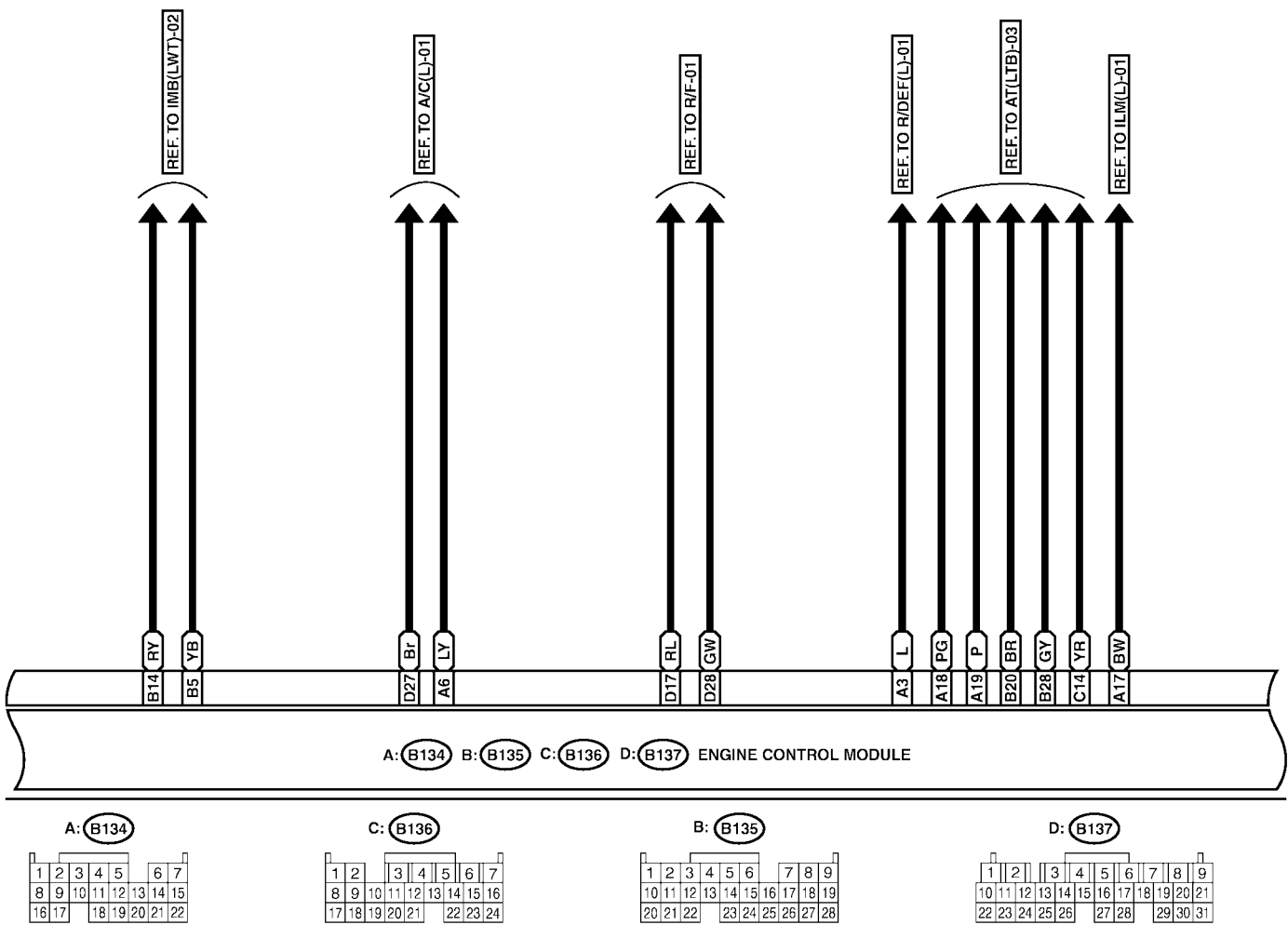


ENGINE ELECTRICAL SYSTEM

Wiring System

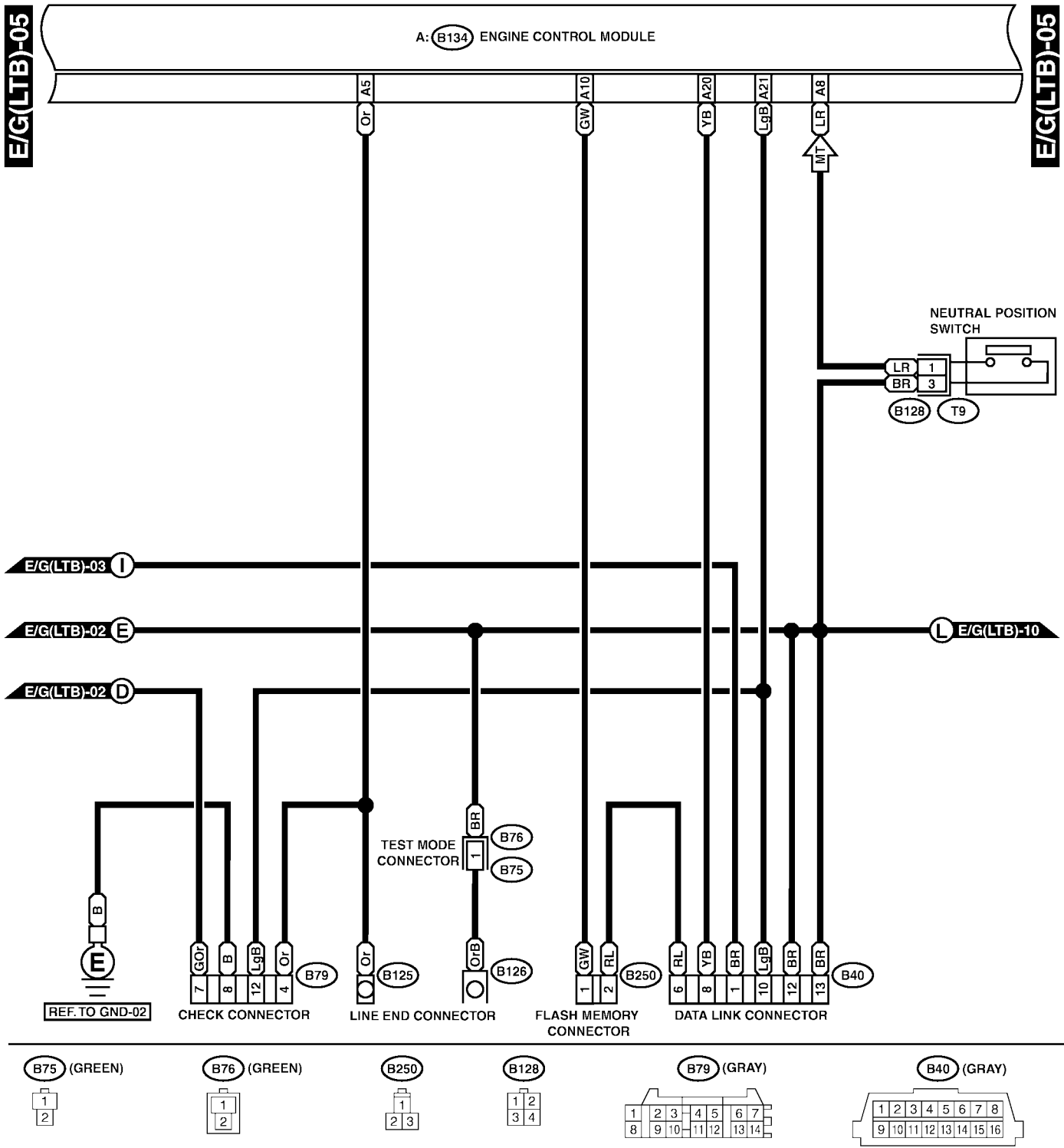
E/G(LTB)-04

E/G(LTB)-04



ENGINE ELECTRICAL SYSTEM

Wiring System

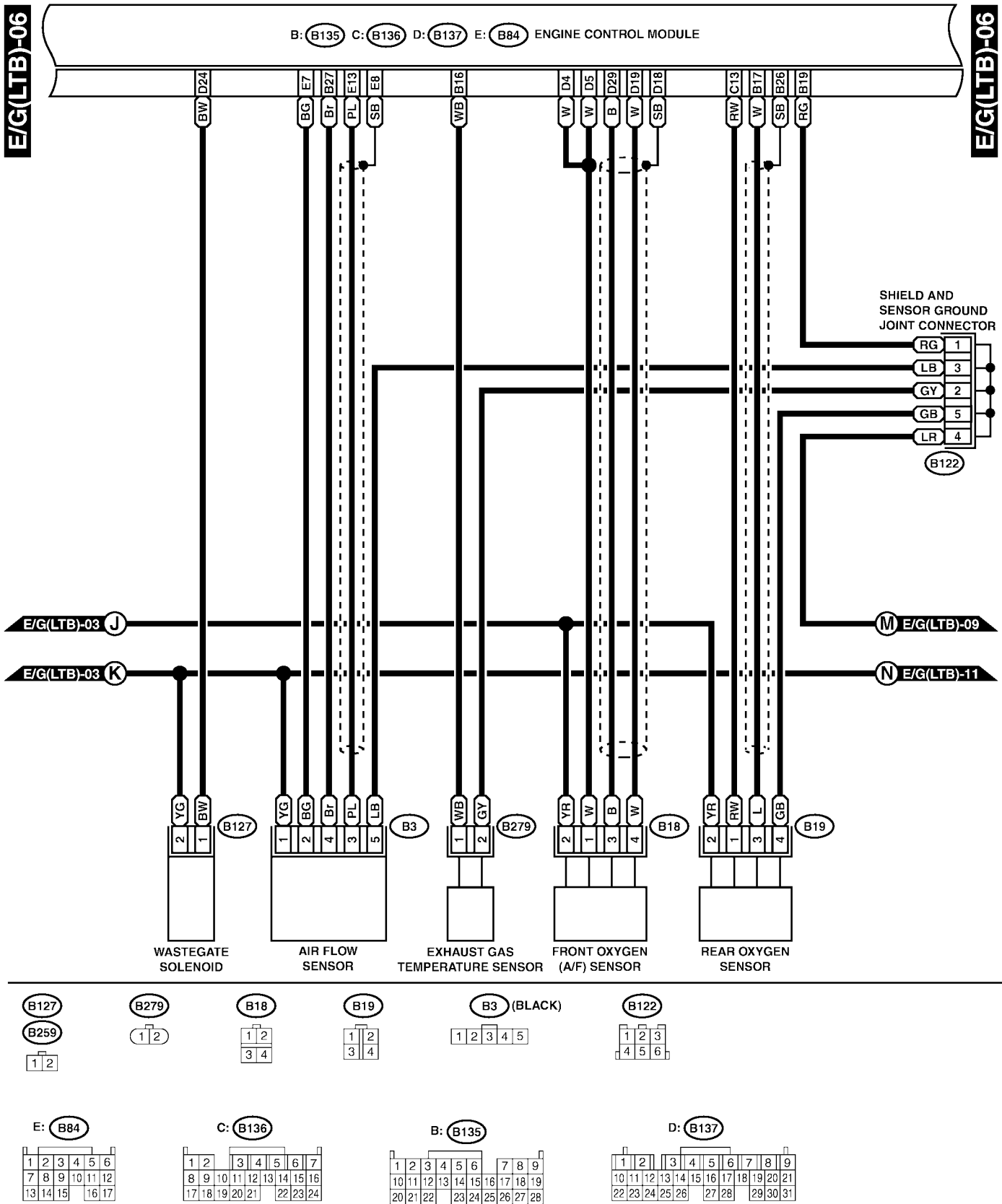


A: B134

1	2	3	4	5	6	7	
8	9	10	11	12	13	14	15
16	17	18	19	20	21	22	

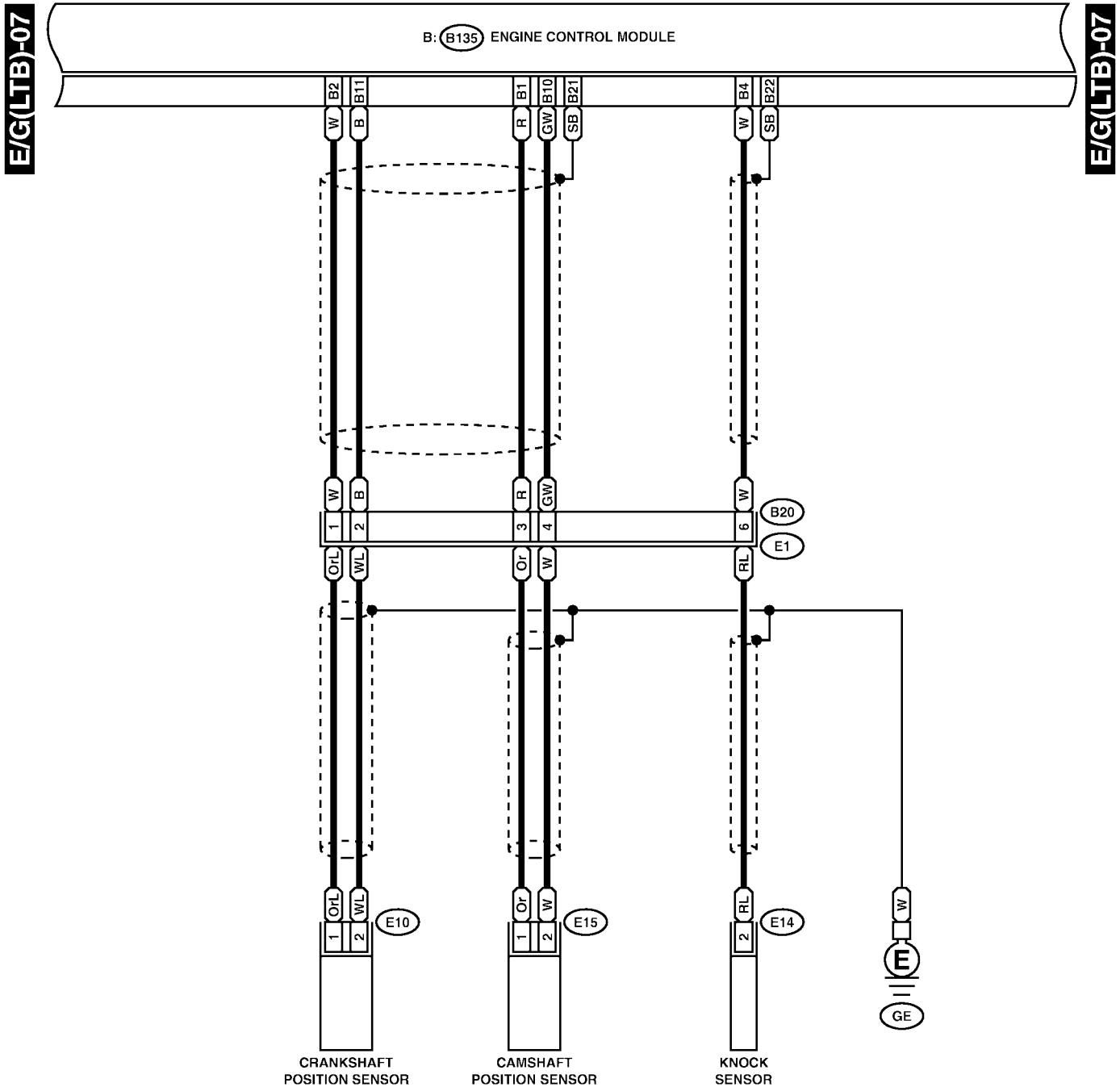
ENGINE ELECTRICAL SYSTEM

Wiring System



ENGINE ELECTRICAL SYSTEM

Wiring System



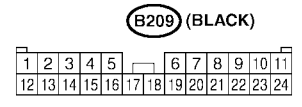
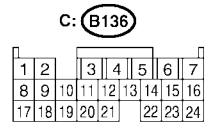
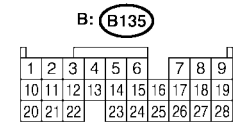
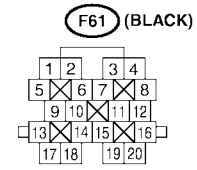
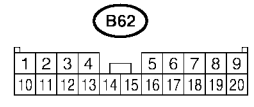
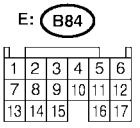
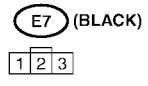
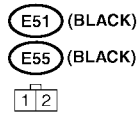
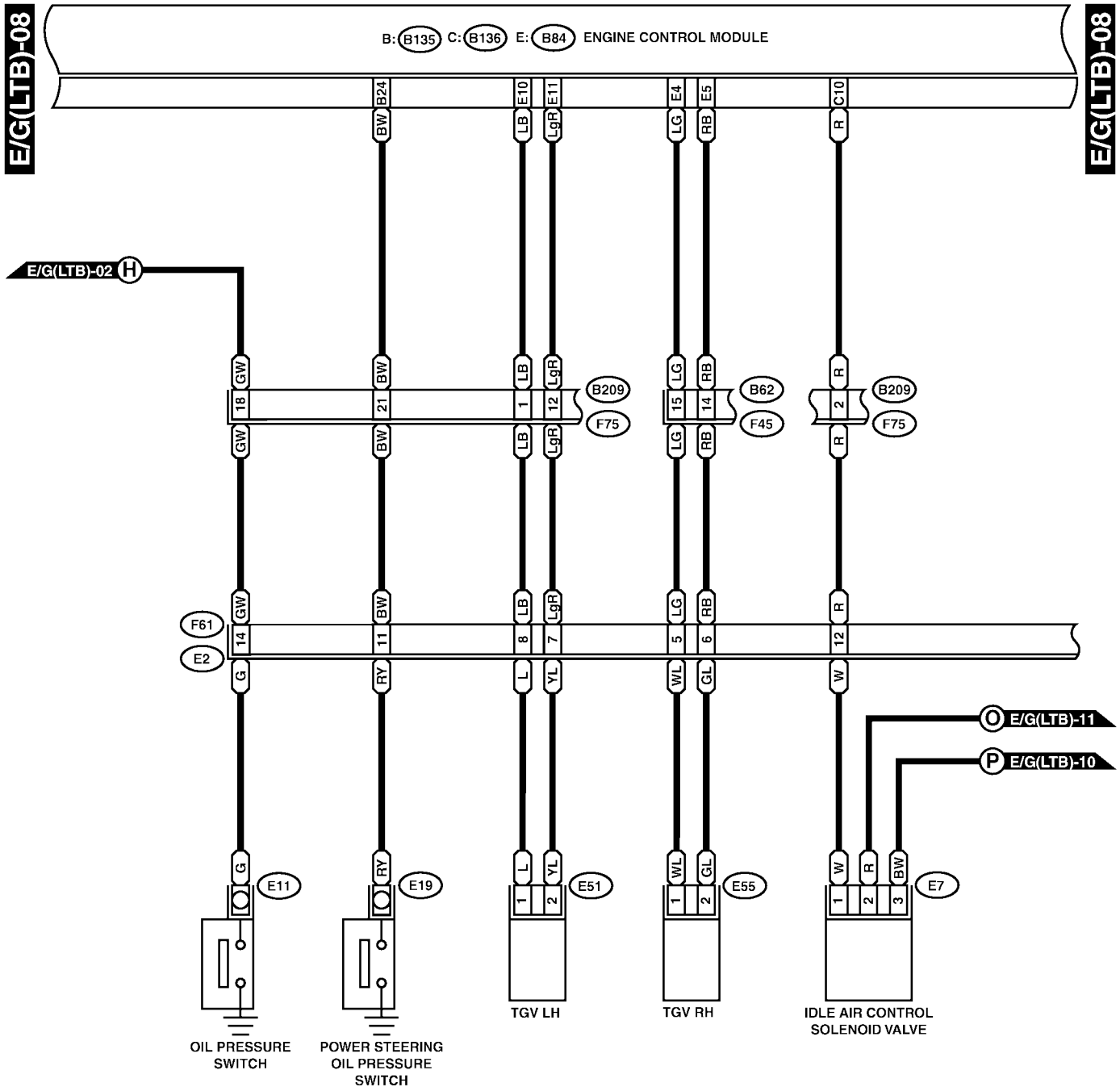
E10 (LIGHT GRAY)
 B20 (LIGHT GRAY)
 B: B135

1	2	3	4
5	6	7	
8	9	10	

1	2	3	4	5	6	7	8	9	
10	11	12	13	14	15	16	17	18	19
20	21	22	23	24	25	26	27	28	

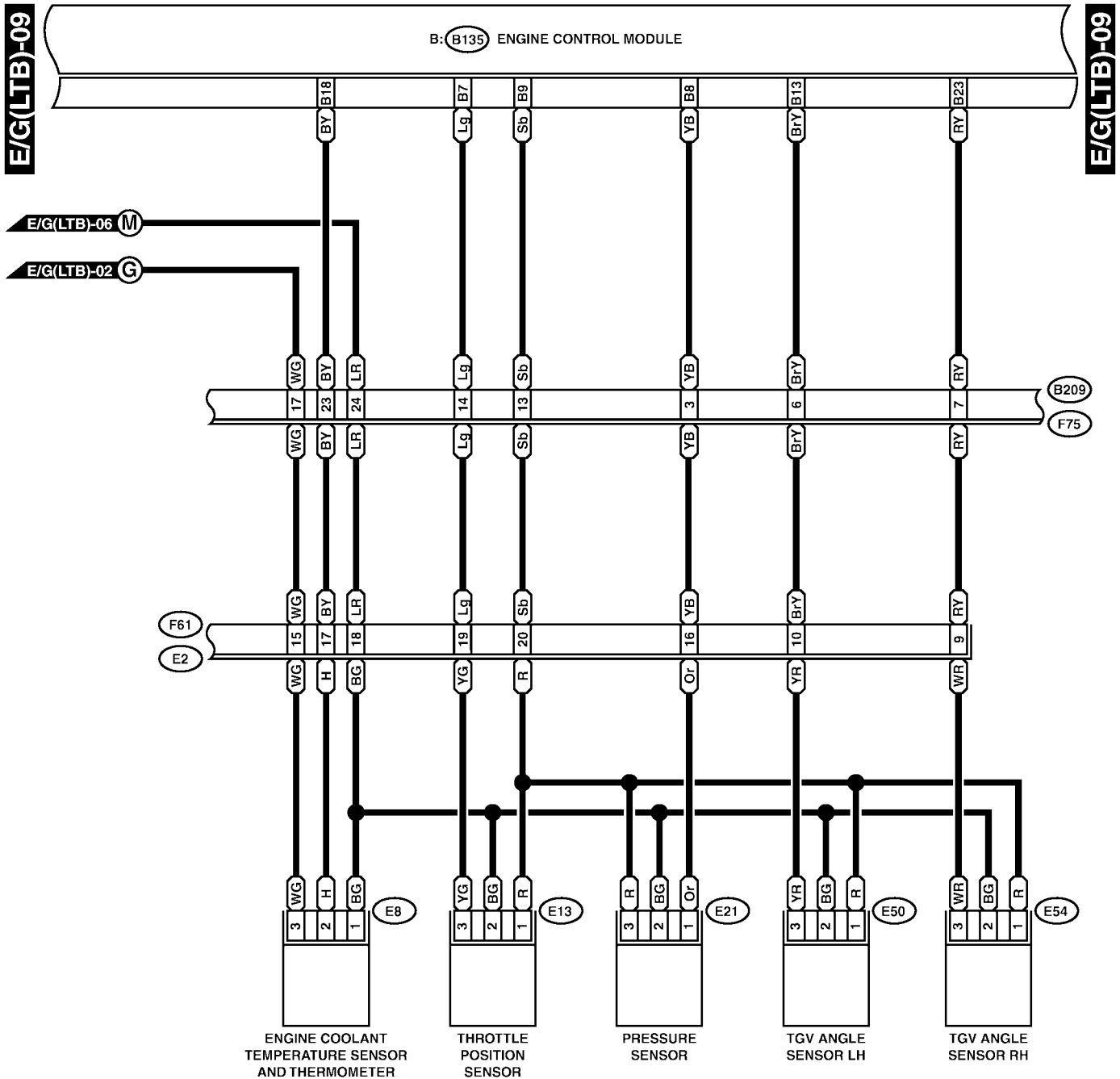
ENGINE ELECTRICAL SYSTEM

Wiring System



ENGINE ELECTRICAL SYSTEM

Wiring System



E8 (LIGHT GRAY)



E13 (BLACK)

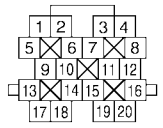
E21 (BLACK)

E50 (BLACK)

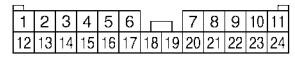
E54 (BLACK)



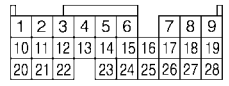
F61 (BLACK)



B209 (BLACK)

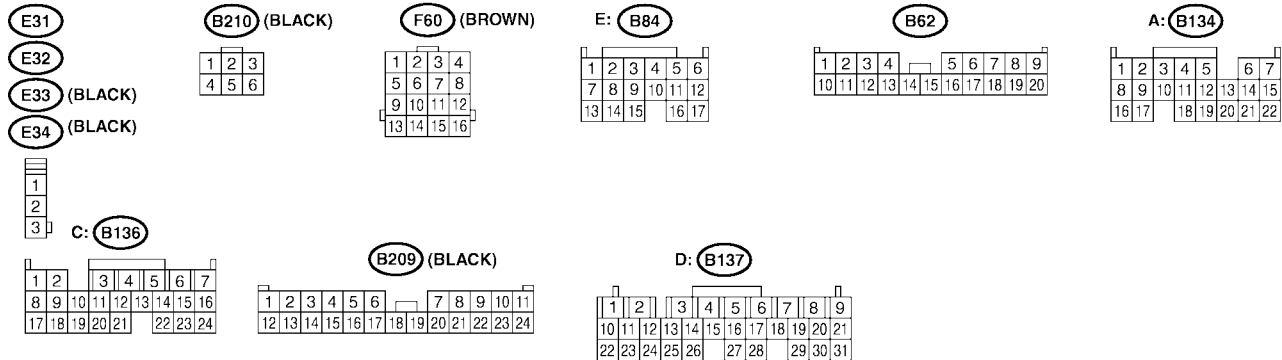
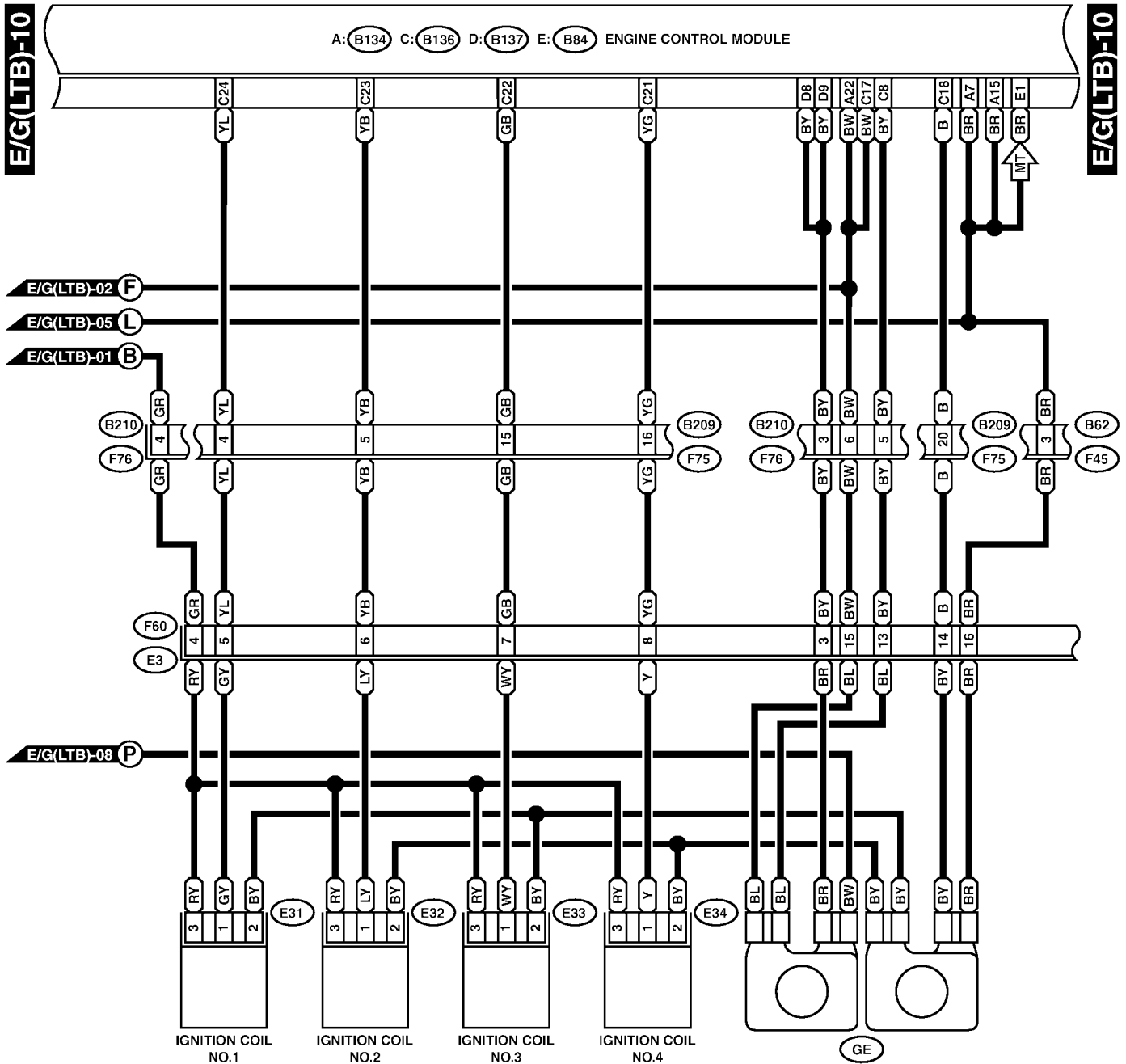


B: B135



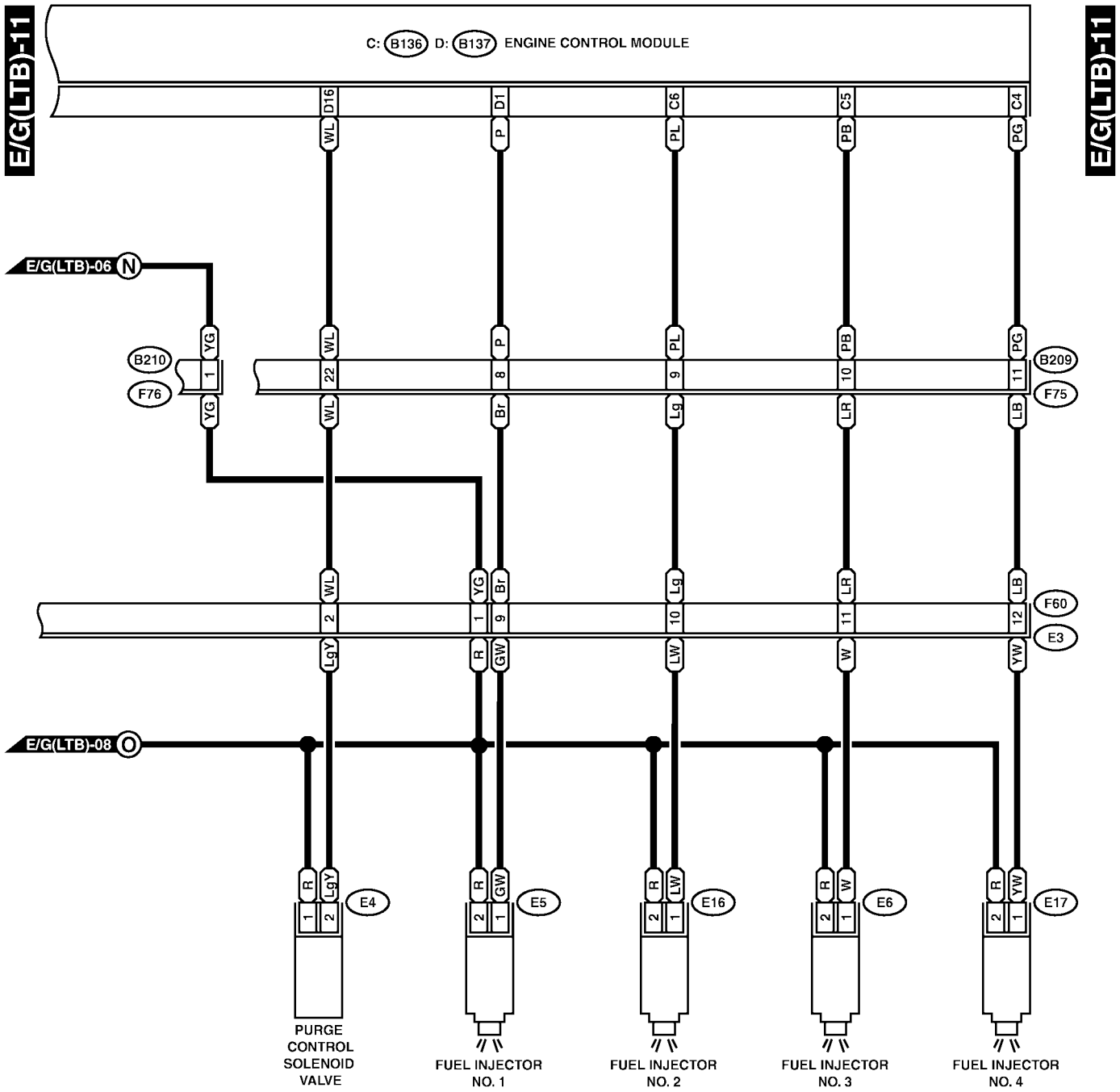
ENGINE ELECTRICAL SYSTEM

Wiring System



ENGINE ELECTRICAL SYSTEM

Wiring System



E5 (DARK GRAY)

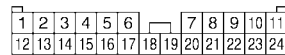
E4 (BLACK)

B210 (BLACK)

F60 (BROWN)

B209 (BLACK)

E6 (DARK GRAY)



E16 (DARK GRAY)

E17 (DARK GRAY)



C: B136



D: B137



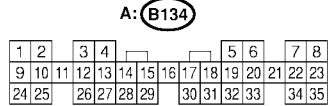
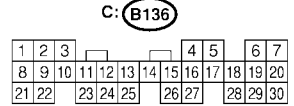
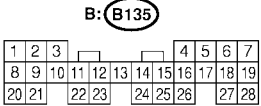
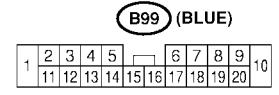
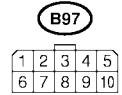
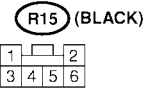
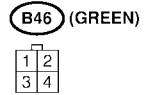
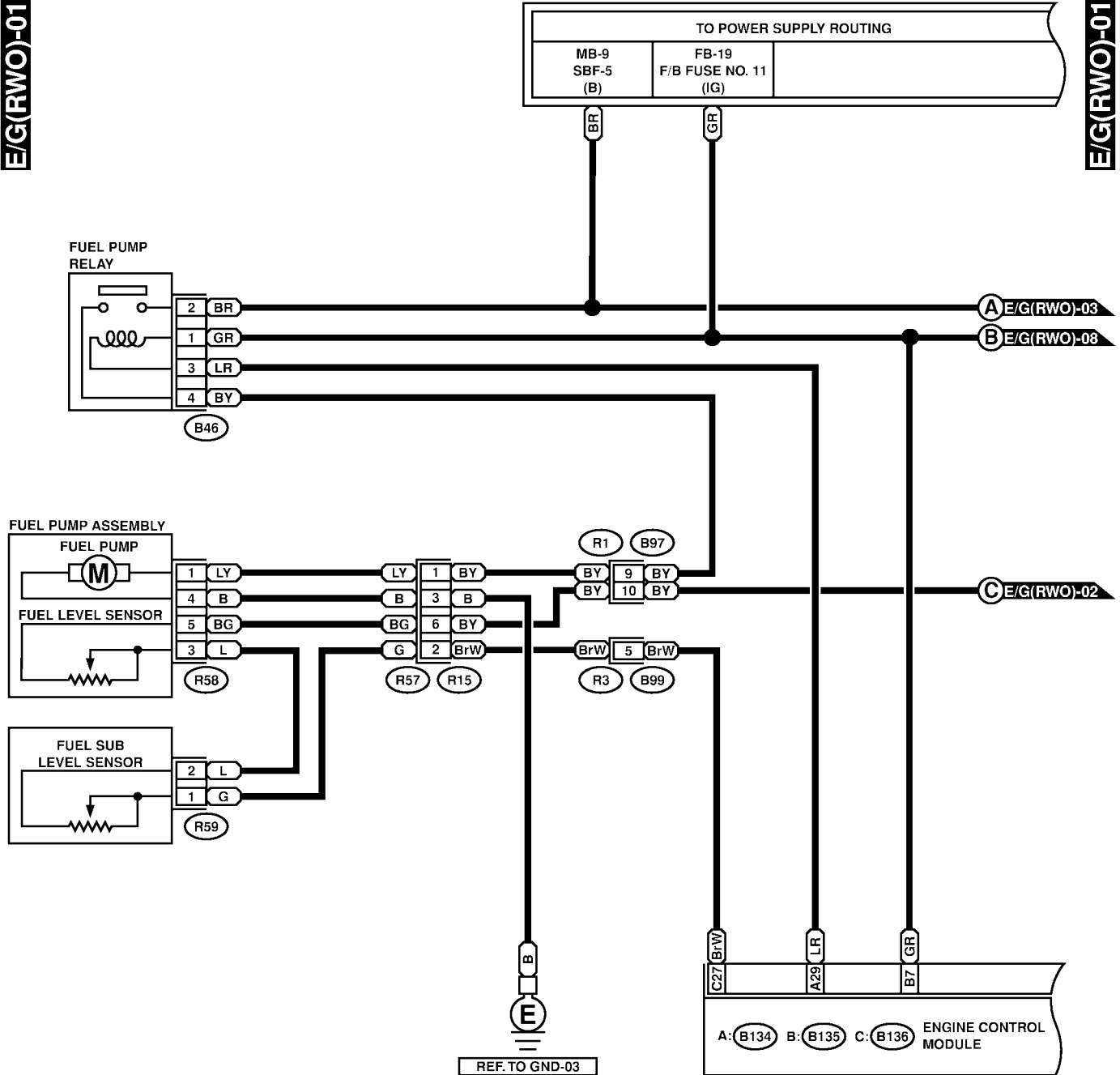
ENGINE ELECTRICAL SYSTEM

Wiring System

4. RHD SOHC MODEL S903482A2124

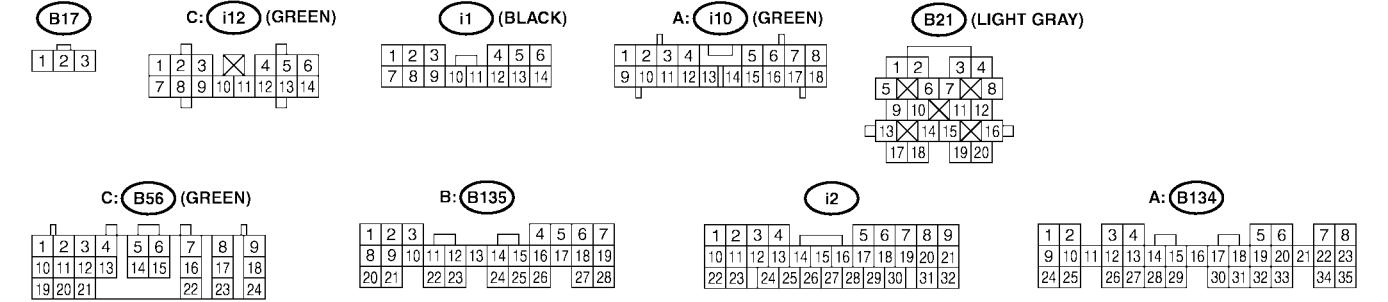
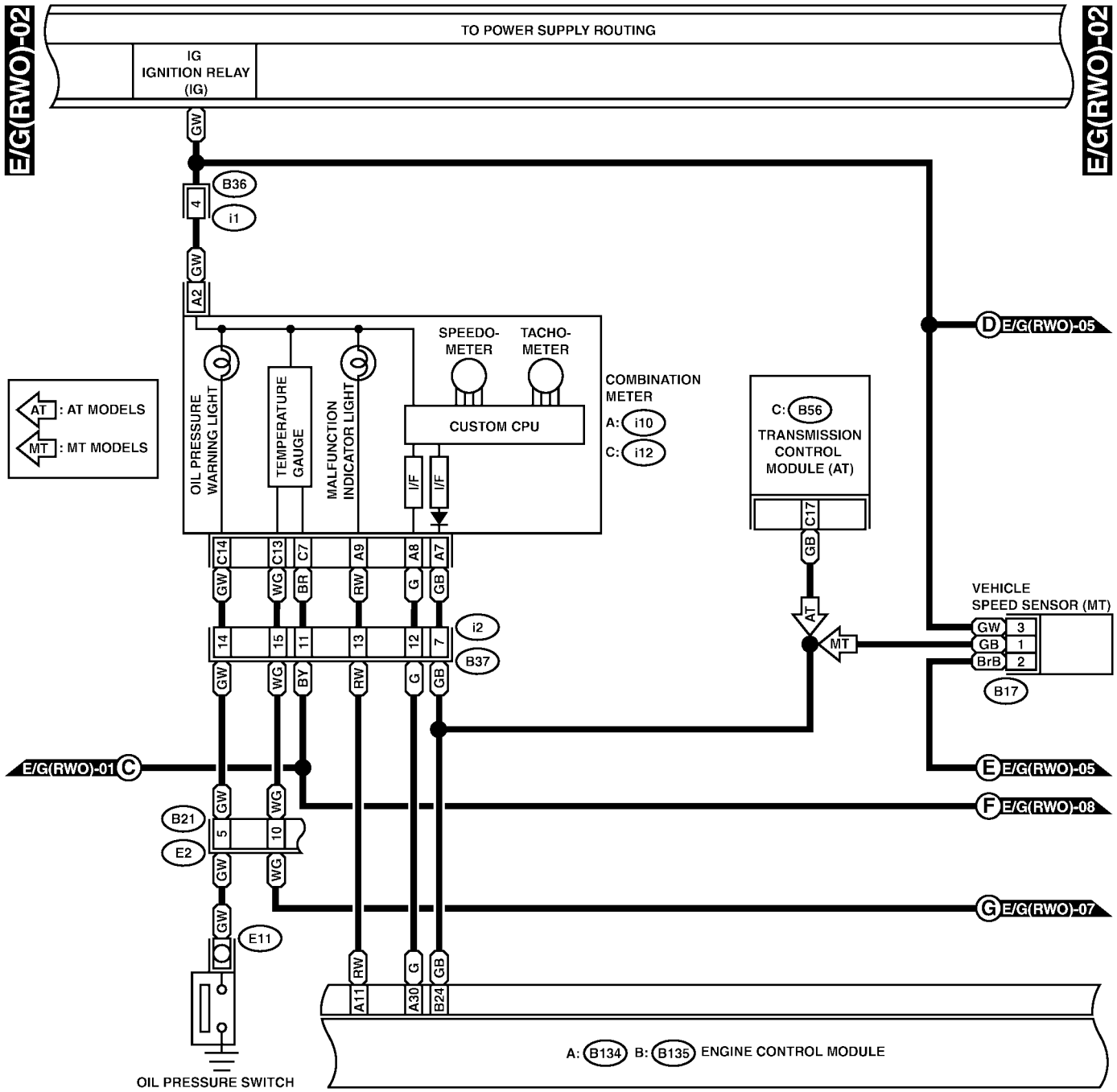
E/G(RWO)-01

E/G(RWO)-01



ENGINE ELECTRICAL SYSTEM

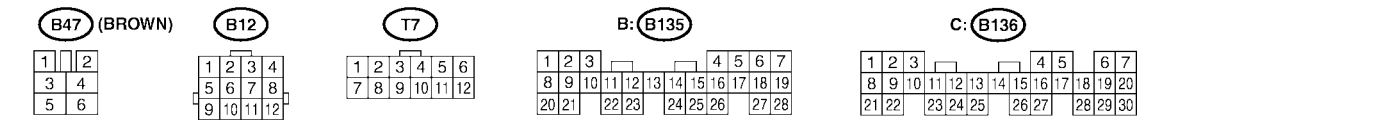
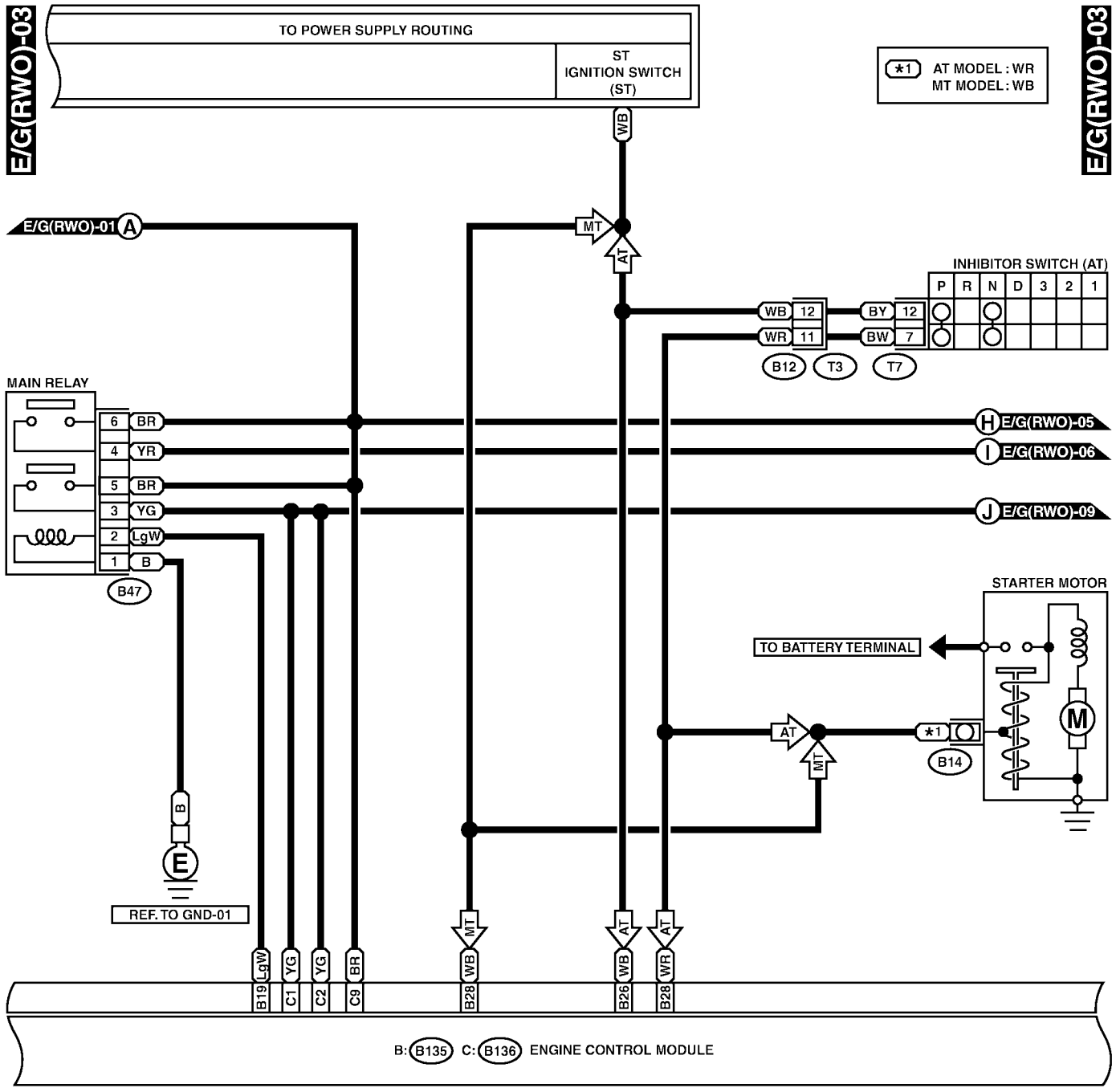
Wiring System



SR10-20B

ENGINE ELECTRICAL SYSTEM

Wiring System

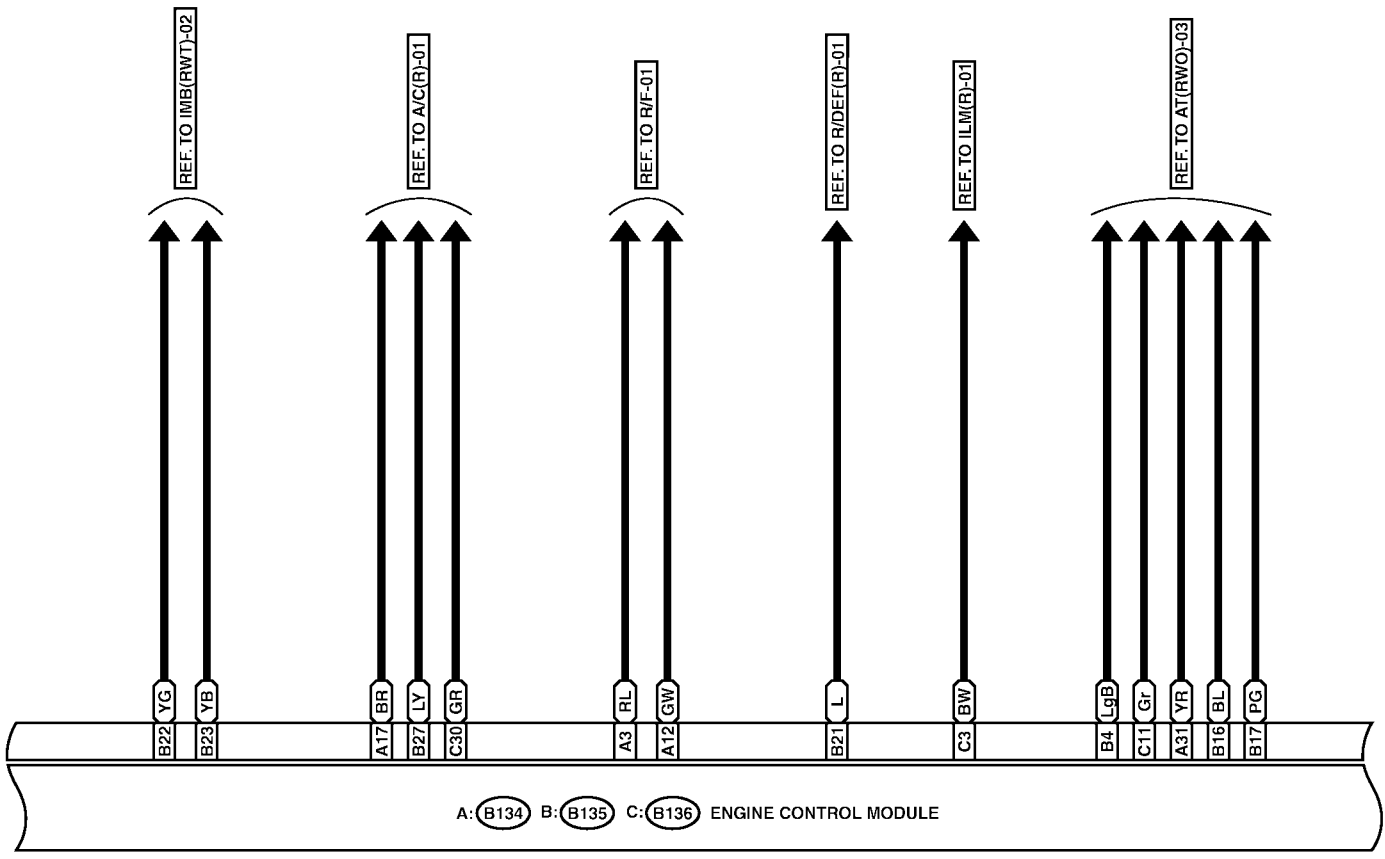


ENGINE ELECTRICAL SYSTEM

Wiring System

E/G(RWO)-04

E/G(RWO)-04



B: **B135**

1	2	3		4	5	6	7				
8	9	10	11	12	13	14	15	16	17	18	19
20	21	22	23	24	25	26	27	28			

C: **B136**

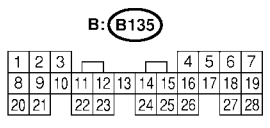
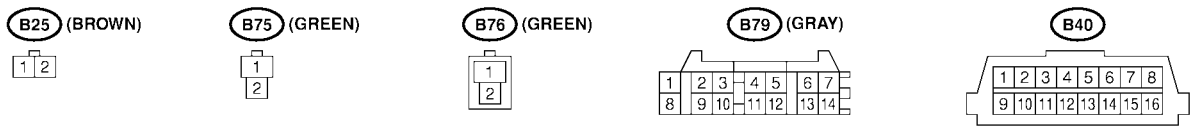
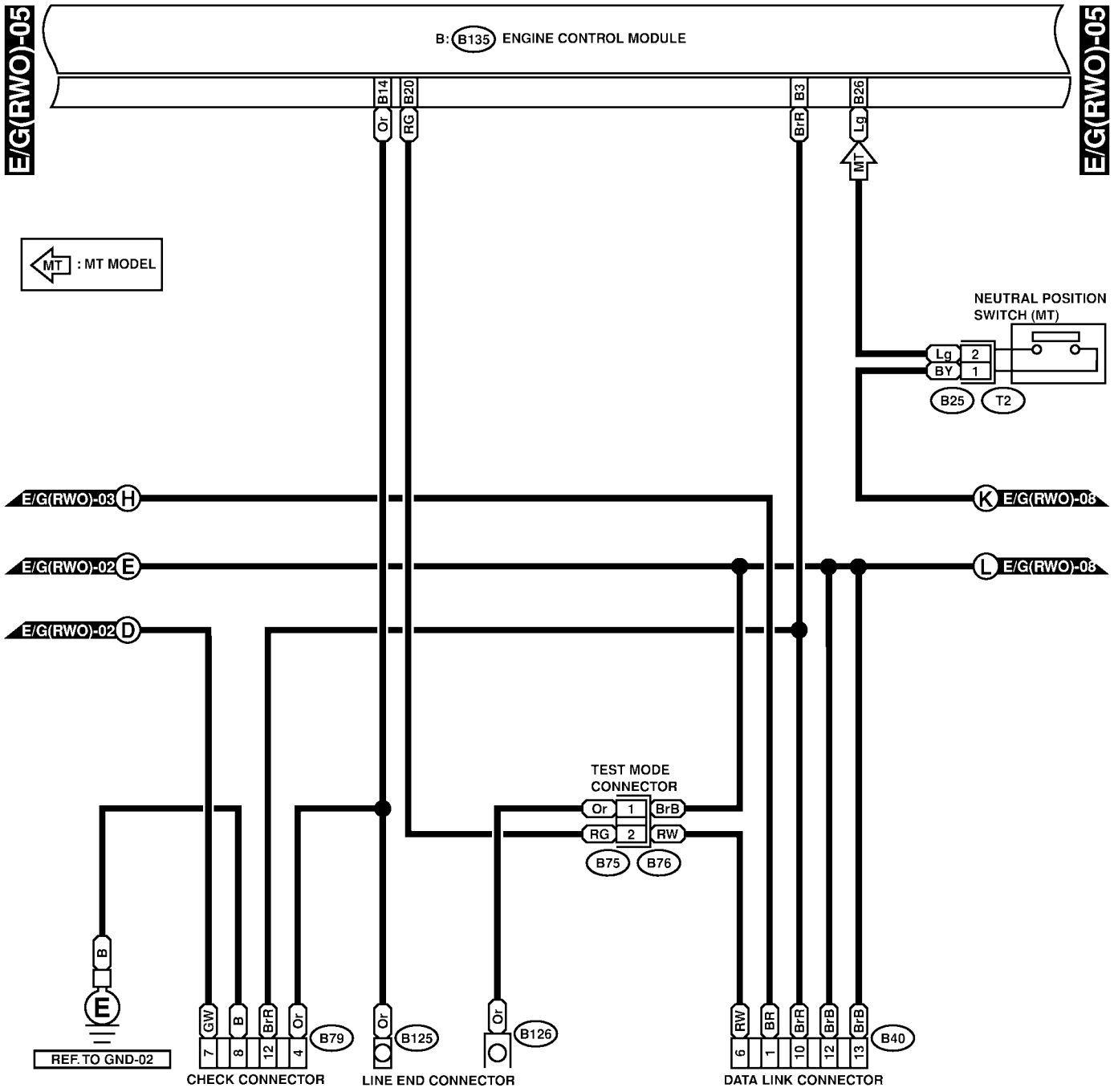
1	2	3		4	5	6	7					
8	9	10	11	12	13	14	15	16	17	18	19	20
21	22	23	24	25	26	27	28	29	30			

A: **B134**

1	2	3	4		5	6	7	8						
9	10	11	12	13	14	15	16	17	18	19	20	21	22	23
24	25	26	27	28	29	30	31	32	33	34	35			

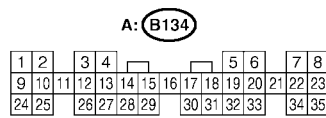
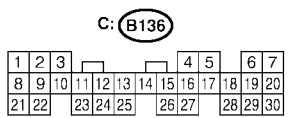
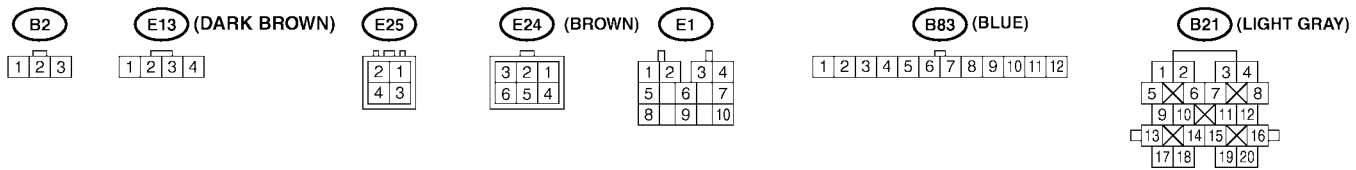
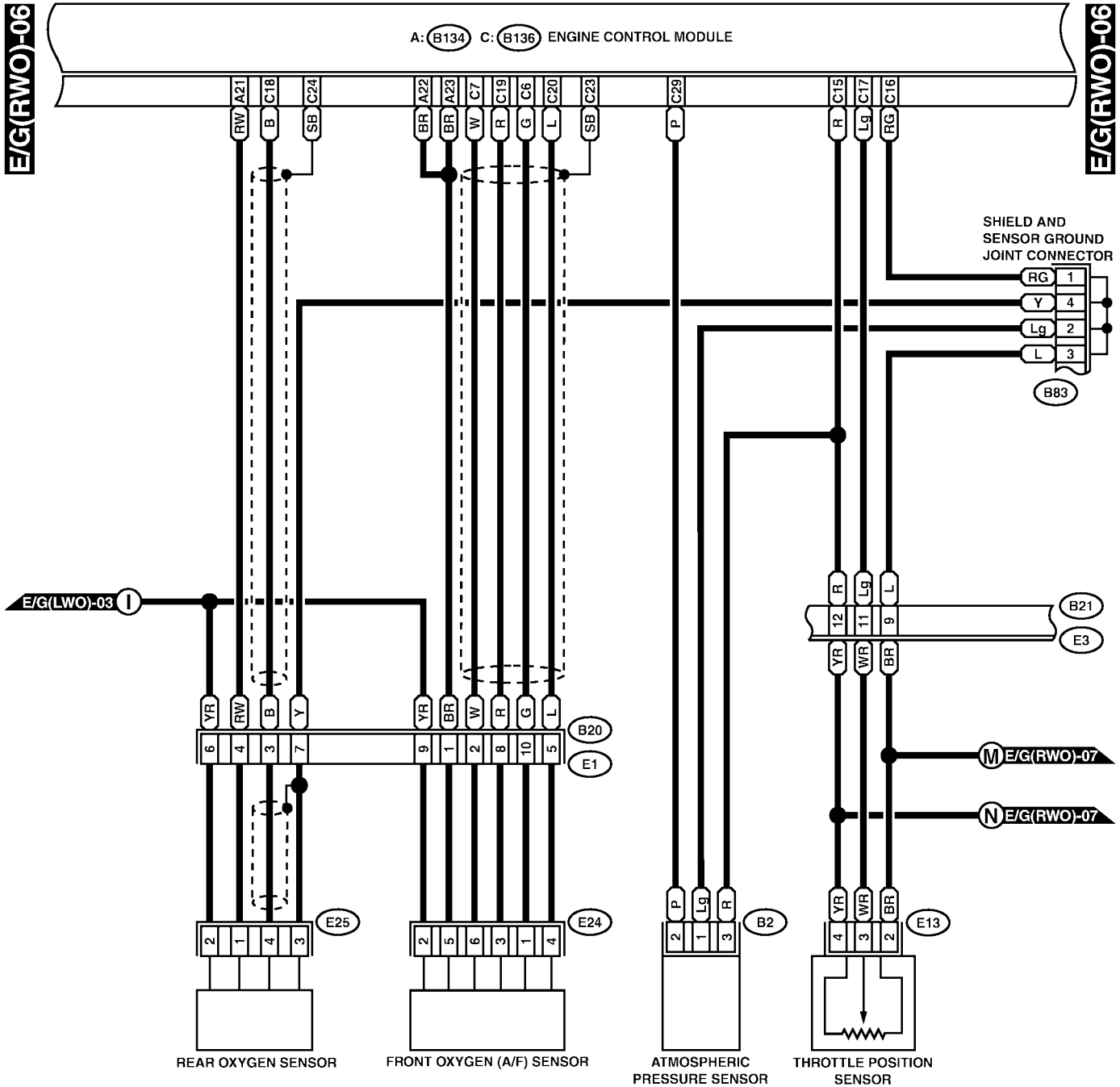
ENGINE ELECTRICAL SYSTEM

Wiring System



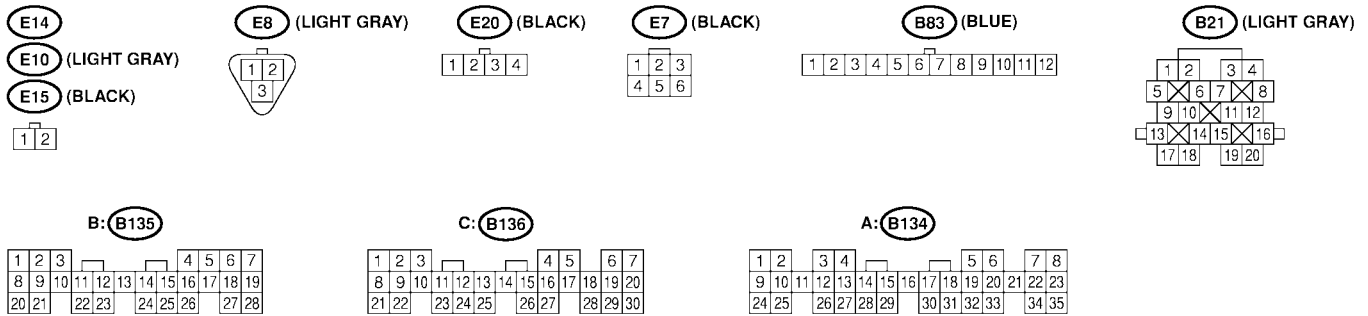
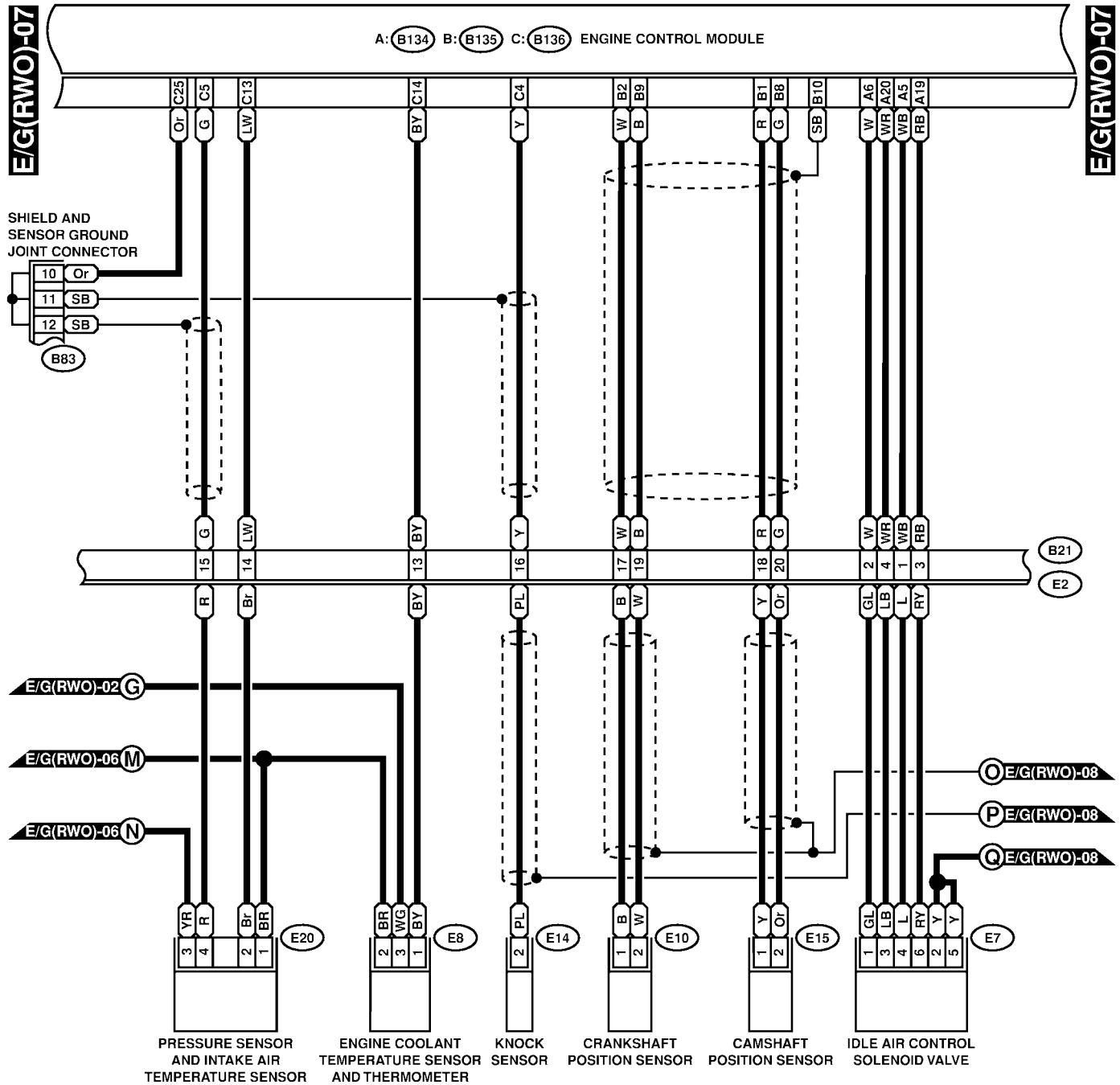
ENGINE ELECTRICAL SYSTEM

Wiring System



ENGINE ELECTRICAL SYSTEM

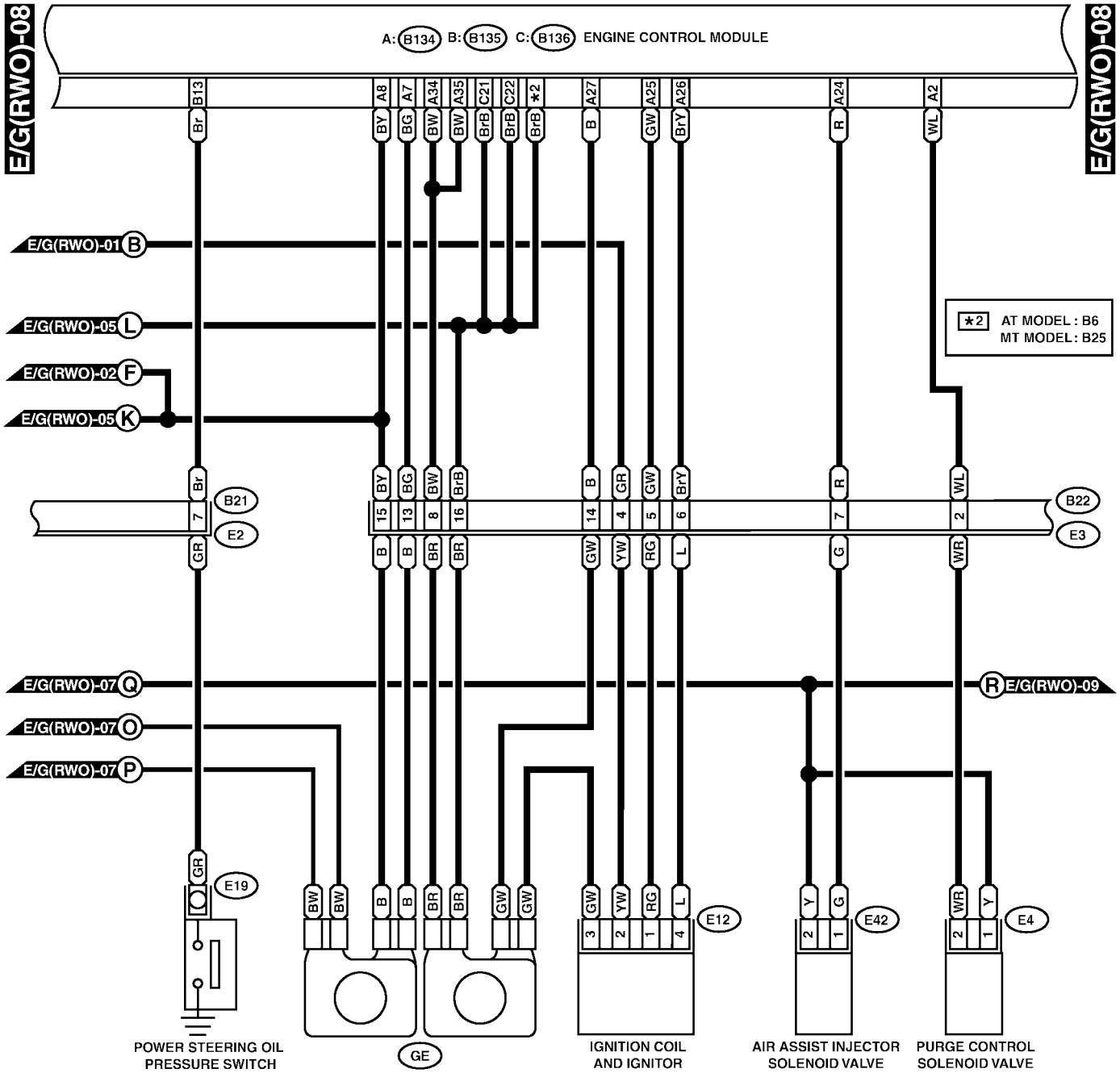
Wiring System



SR10-20G

ENGINE ELECTRICAL SYSTEM

Wiring System



(E4) (BLACK)

(E12) (DARK GRAY)

(B22) (BROWN)

(B21) (LIGHT GRAY)

B: (B135)

(E42) (PURPLE)

1	2	3	4
---	---	---	---

1	2	3	4
5	6	7	8
9	10	11	12
13	14	15	16

1	2	3	4
5	6	7	8
9	10	11	12
13	14	15	16
17	18	19	20

1	2	3	4	5	6	7
8	9	10	11	12	13	14
15	16	17	18	19	20	21
22	23	24	25	26	27	28

C: (B136)

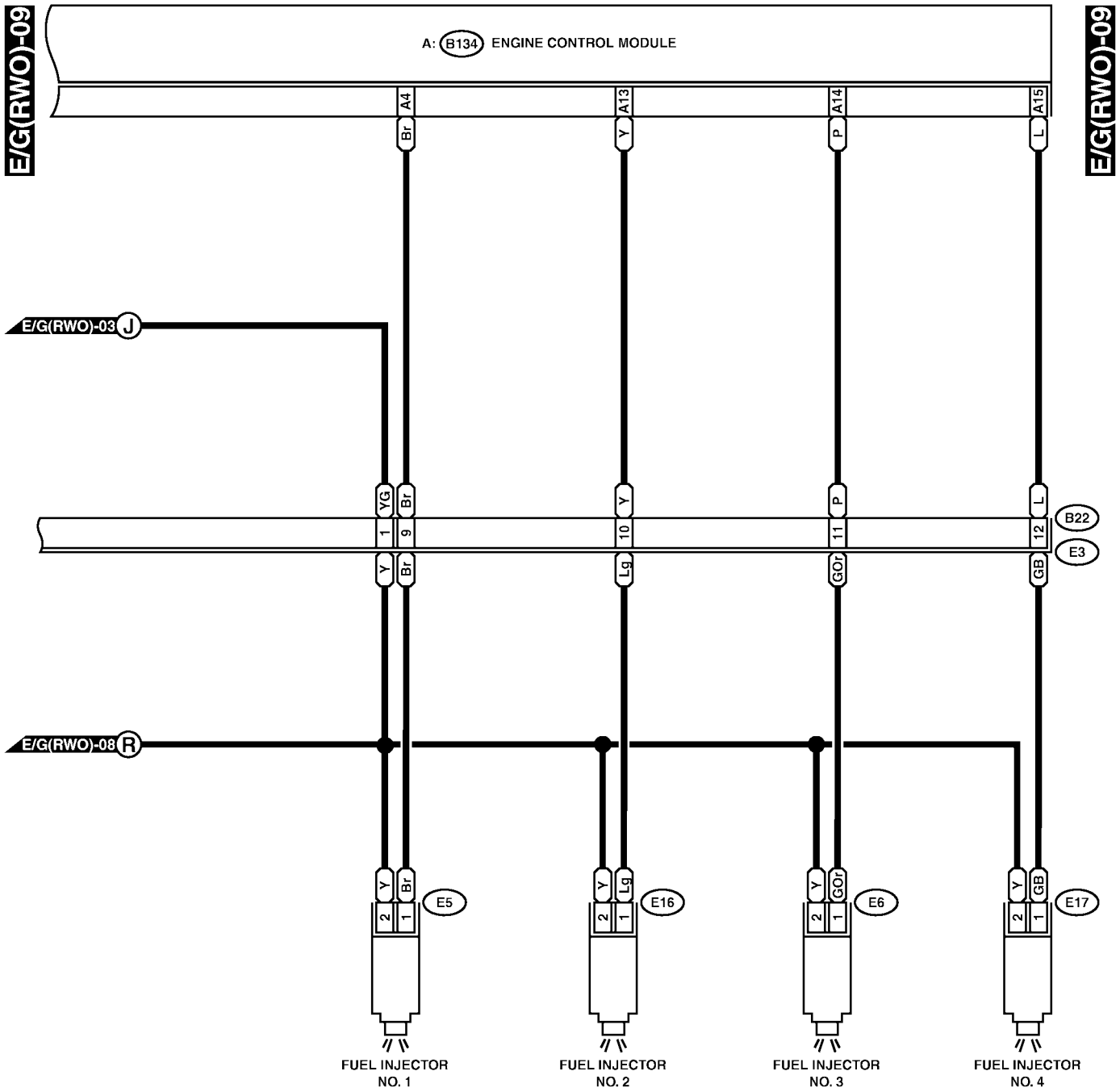
1	2	3	4	5	6	7
8	9	10	11	12	13	14
15	16	17	18	19	20	21
22	23	24	25	26	27	28
29	30	31	32	33	34	35

A: (B134)

1	2	3	4	5	6	7	8
9	10	11	12	13	14	15	16
17	18	19	20	21	22	23	24
25	26	27	28	29	30	31	32
33	34	35	36	37	38	39	40

ENGINE ELECTRICAL SYSTEM

Wiring System



E5 (LIGHT GRAY)

E6 (LIGHT GRAY)

E16 (LIGHT GRAY)

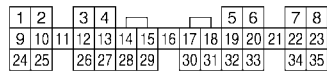
E17 (LIGHT GRAY)



B22 (BROWN)



A: (B134)

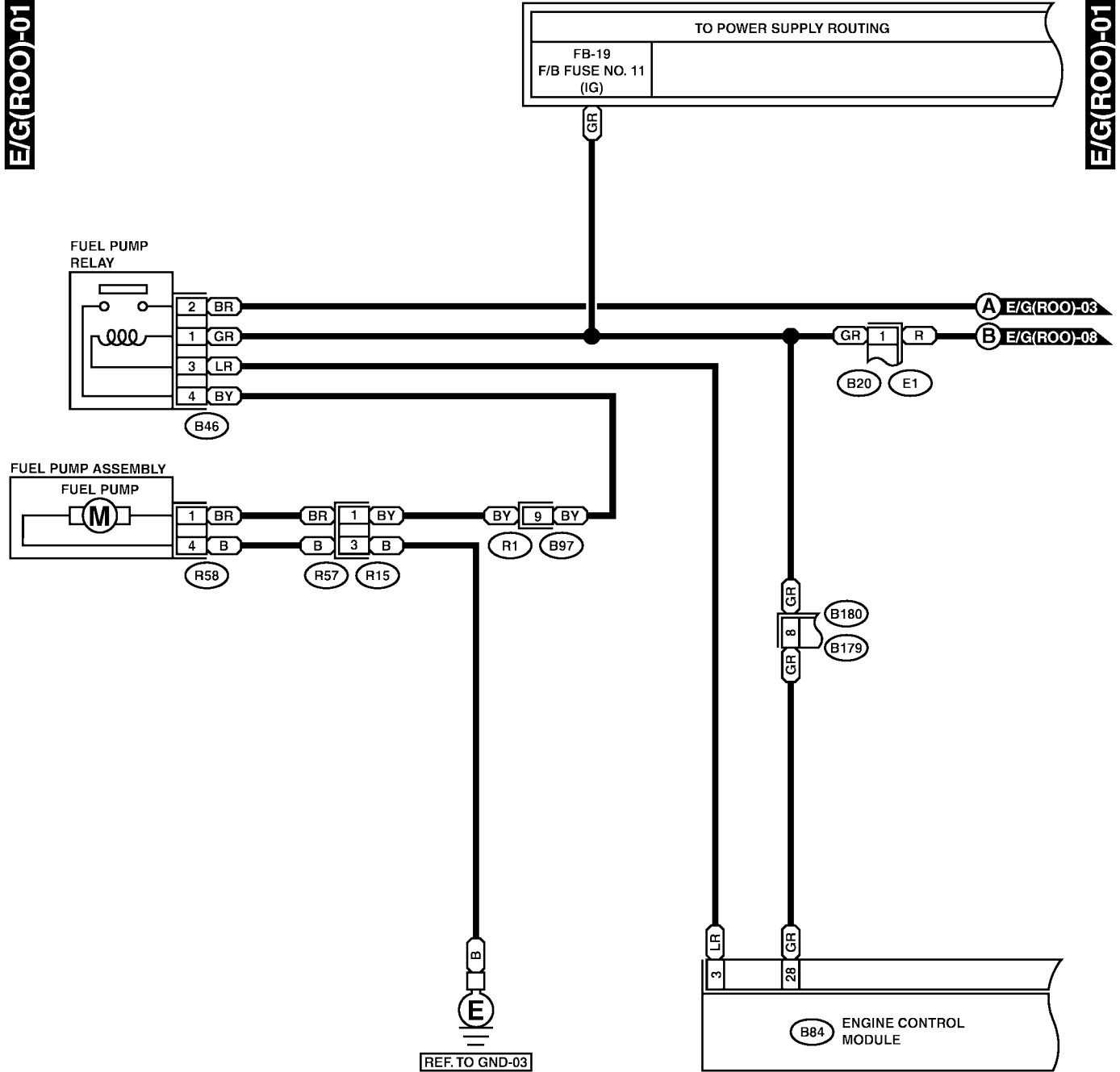


SR10-20I

ENGINE ELECTRICAL SYSTEM

Wiring System

5. RHD SOHC W/O OBD MODEL S903482A2123



B46 (GREEN)



R15 (BLACK)



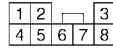
B20



R58



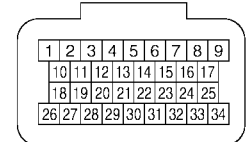
B179



B97

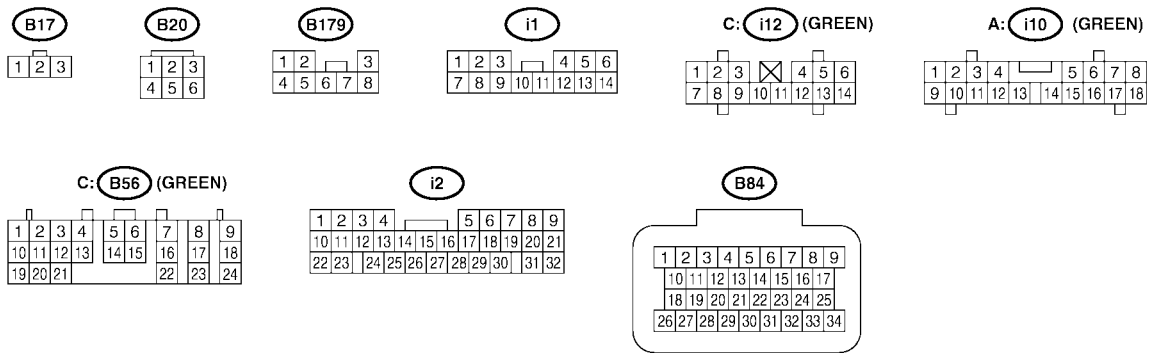
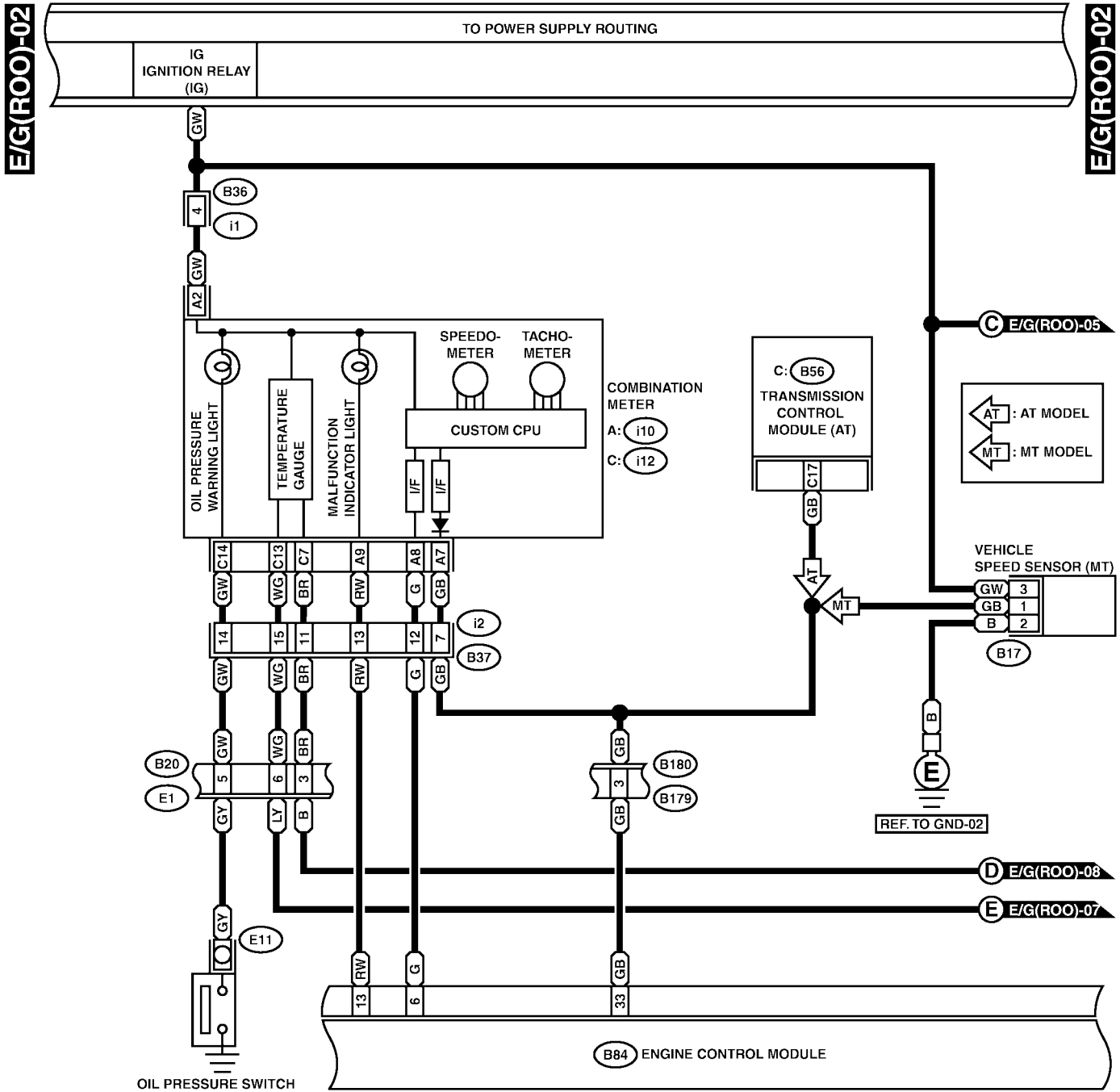


B84



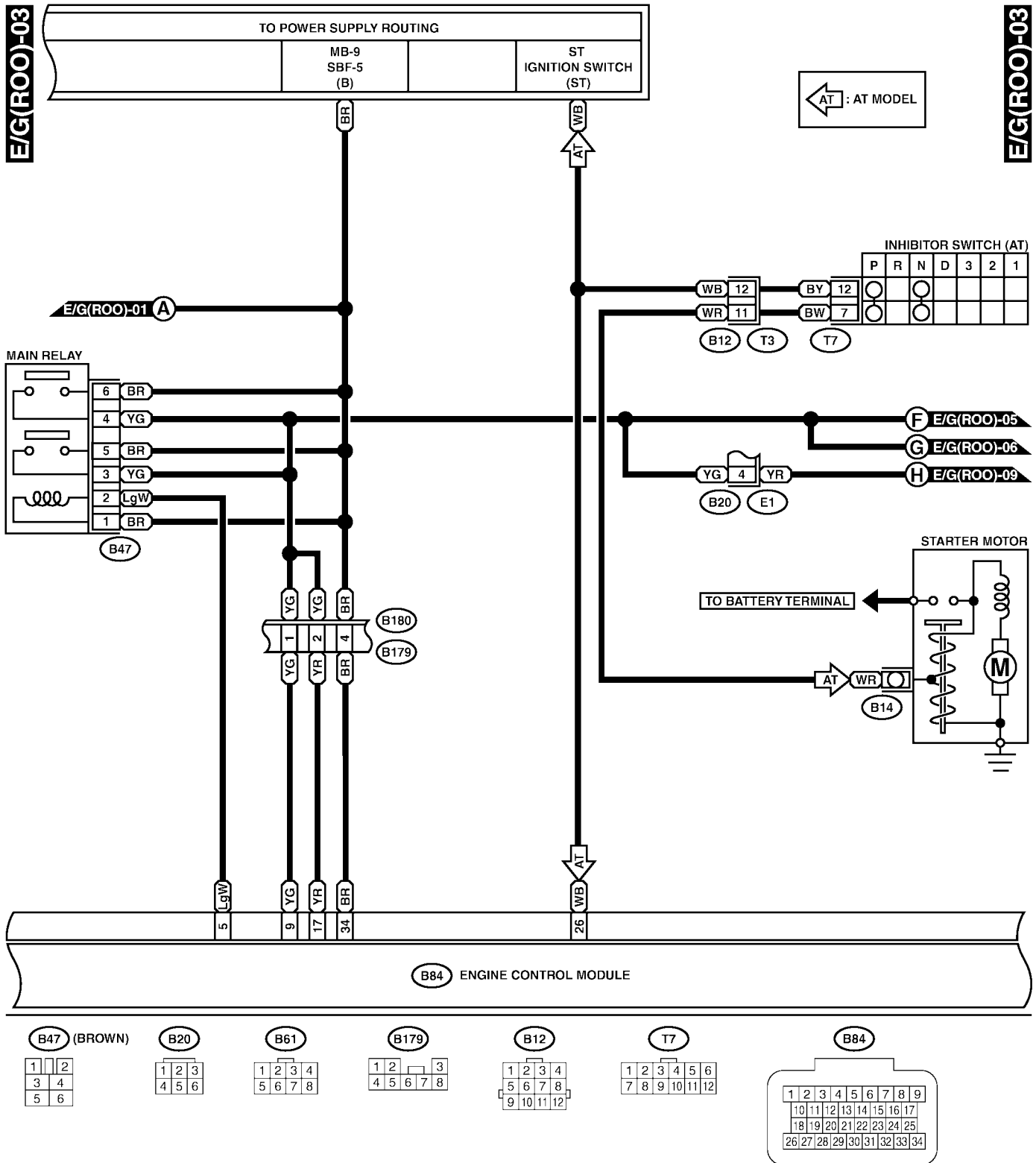
ENGINE ELECTRICAL SYSTEM

Wiring System



ENGINE ELECTRICAL SYSTEM

Wiring System



B47 (BROWN)

1	2
3	4
5	6

B20

1	2	3
4	5	6

B61

1	2	3	4
5	6	7	8

B179

1	2	3		
4	5	6	7	8

B12

1	2	3	4
5	6	7	8
9	10	11	12

T7

1	2	3	4	5	6
7	8	9	10	11	12

B84

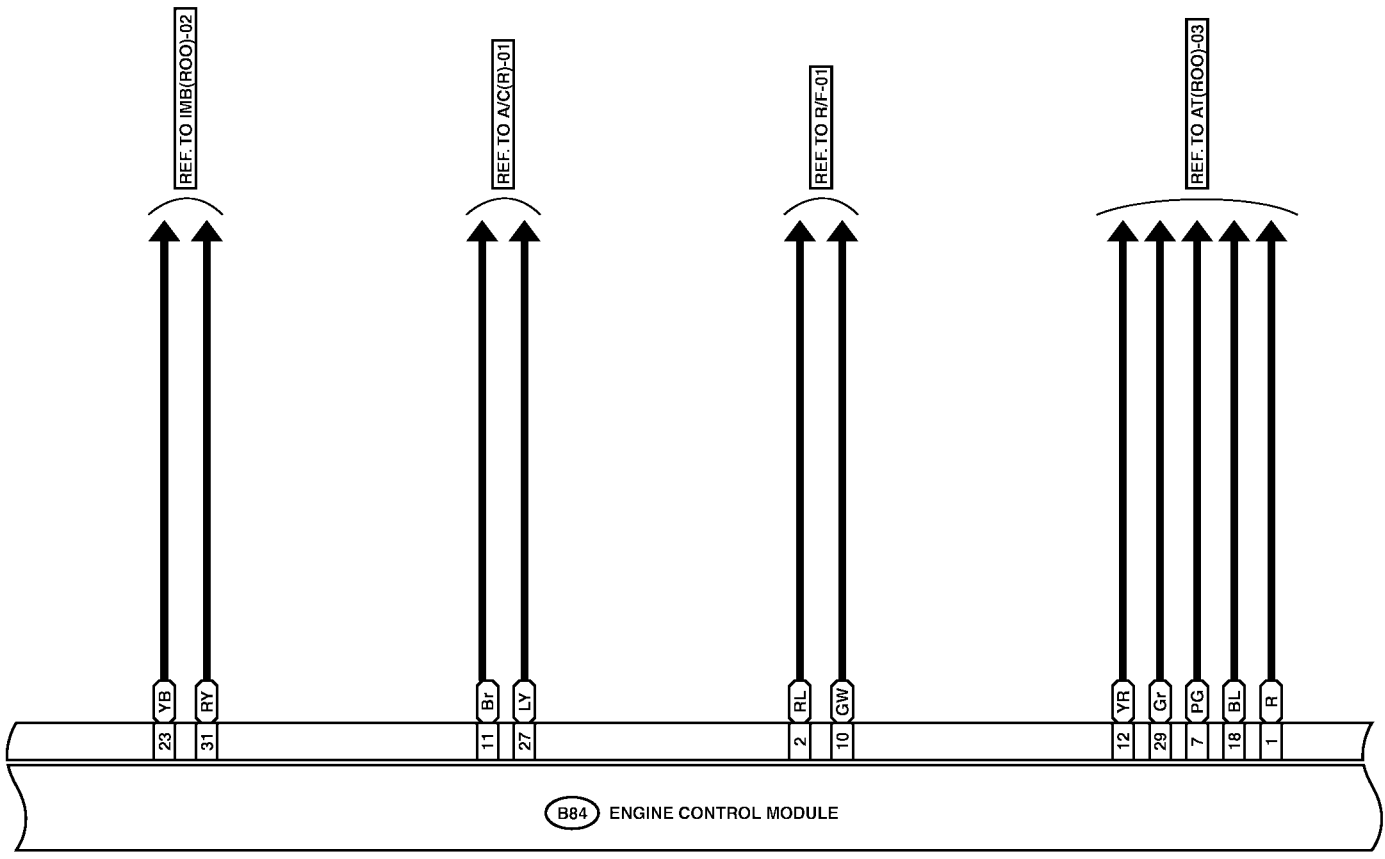
1	2	3	4	5	6	7	8	9
10	11	12	13	14	15	16	17	
18	19	20	21	22	23	24	25	
26	27	28	29	30	31	32	33	34

ENGINE ELECTRICAL SYSTEM

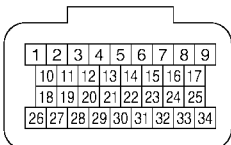
Wiring System

E/G(ROO)-04

E/G(ROO)-04



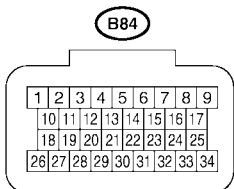
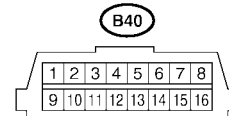
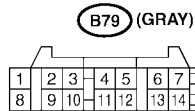
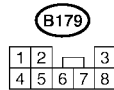
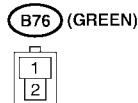
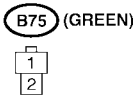
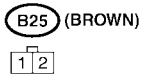
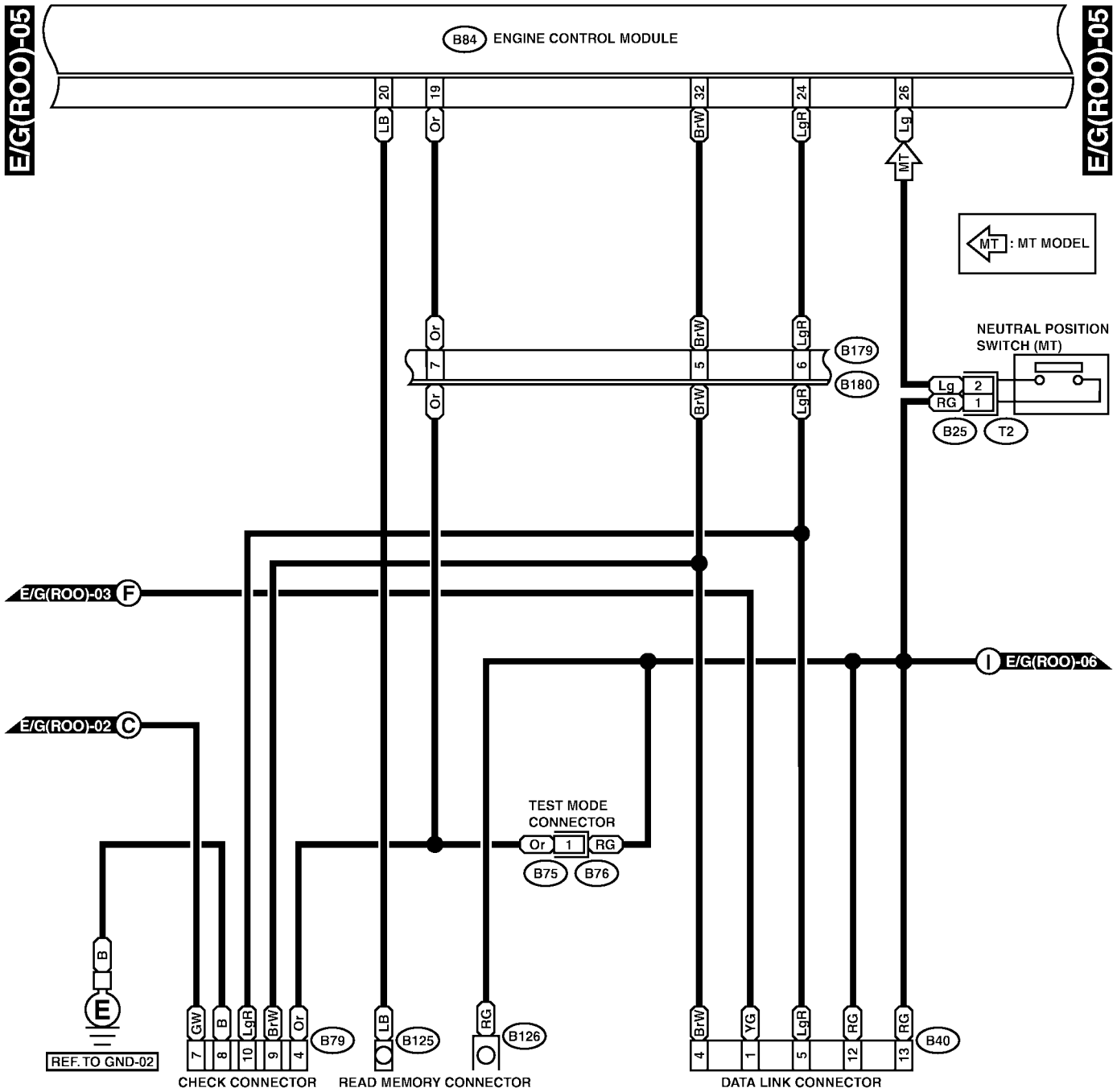
B84



SR10-21D

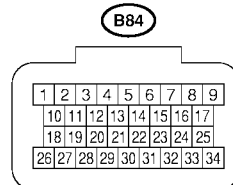
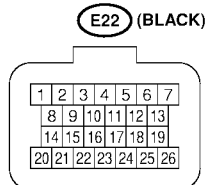
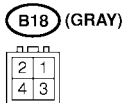
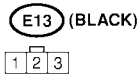
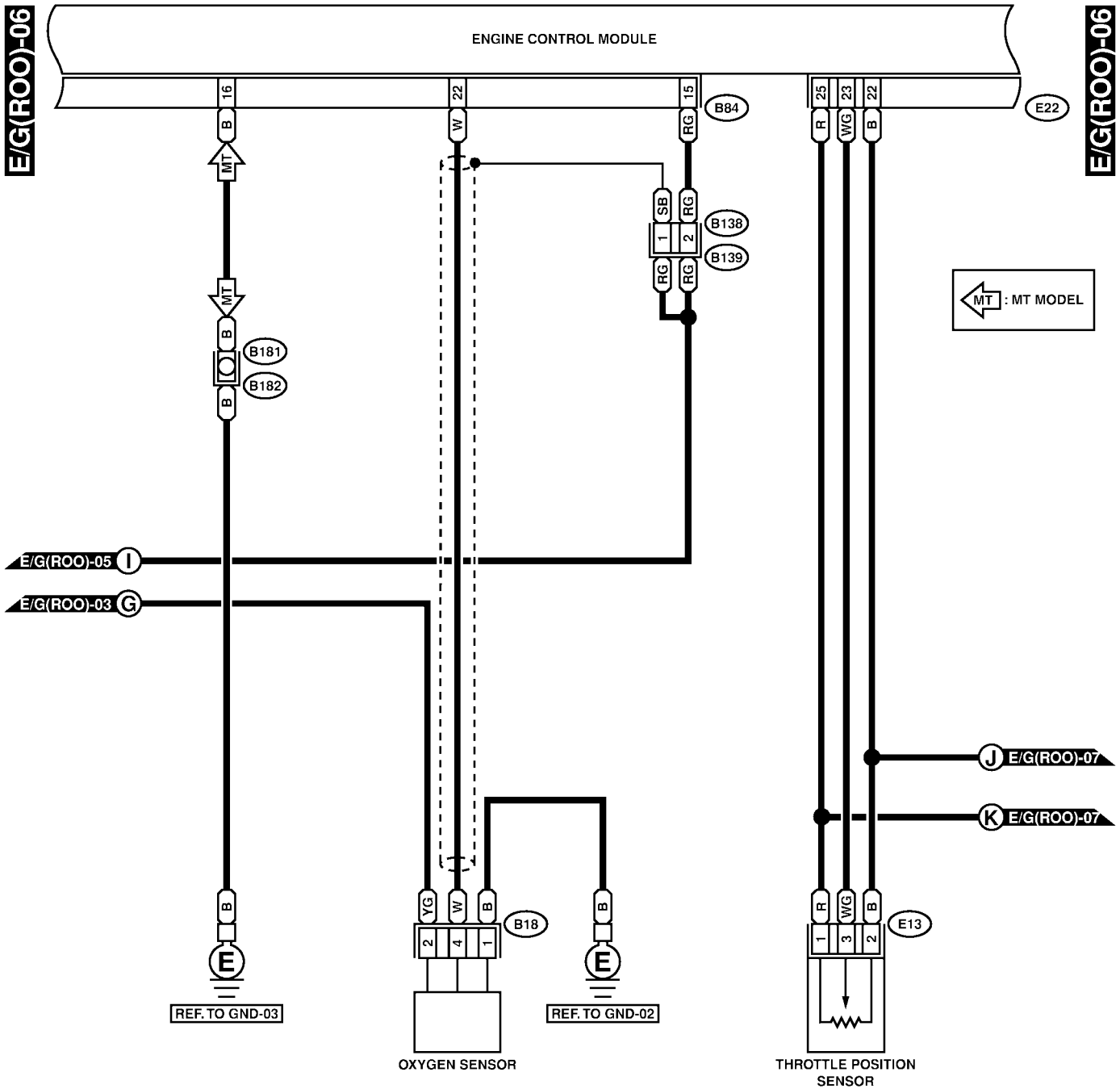
ENGINE ELECTRICAL SYSTEM

Wiring System



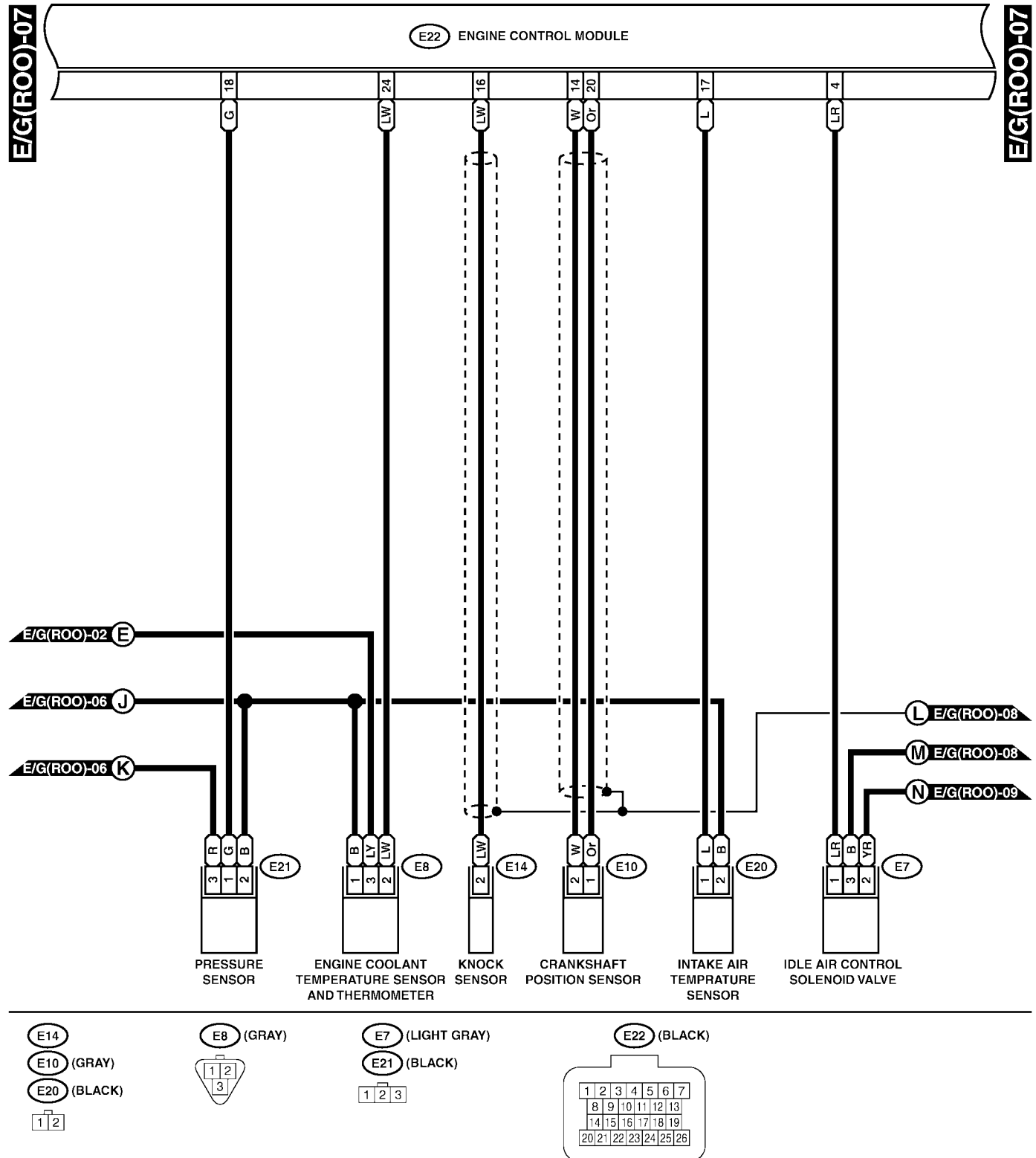
ENGINE ELECTRICAL SYSTEM

Wiring System



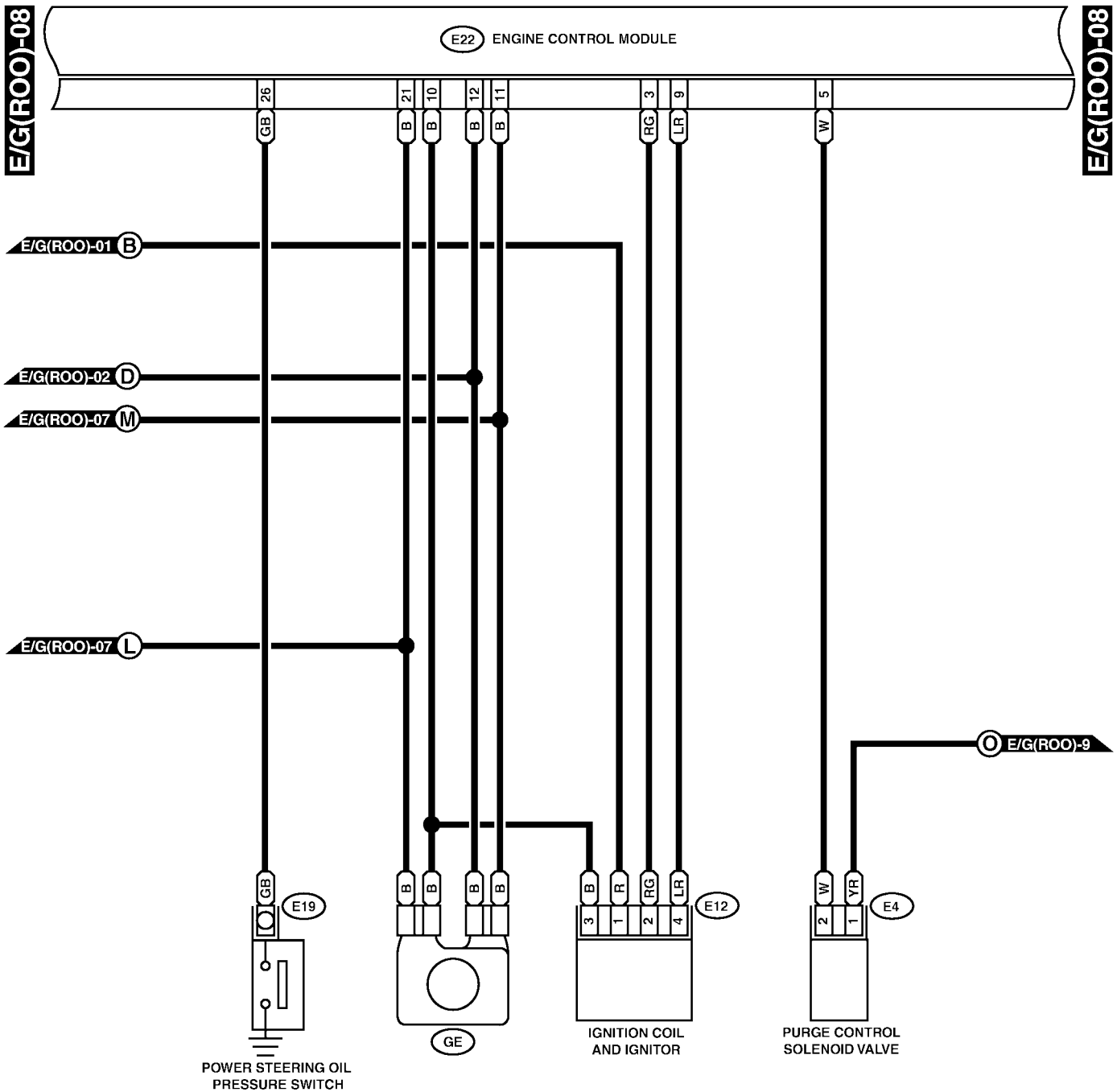
ENGINE ELECTRICAL SYSTEM

Wiring System



ENGINE ELECTRICAL SYSTEM

Wiring System



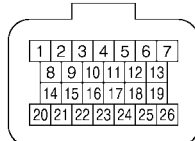
E4 (BLACK)



E12 (GRAY)

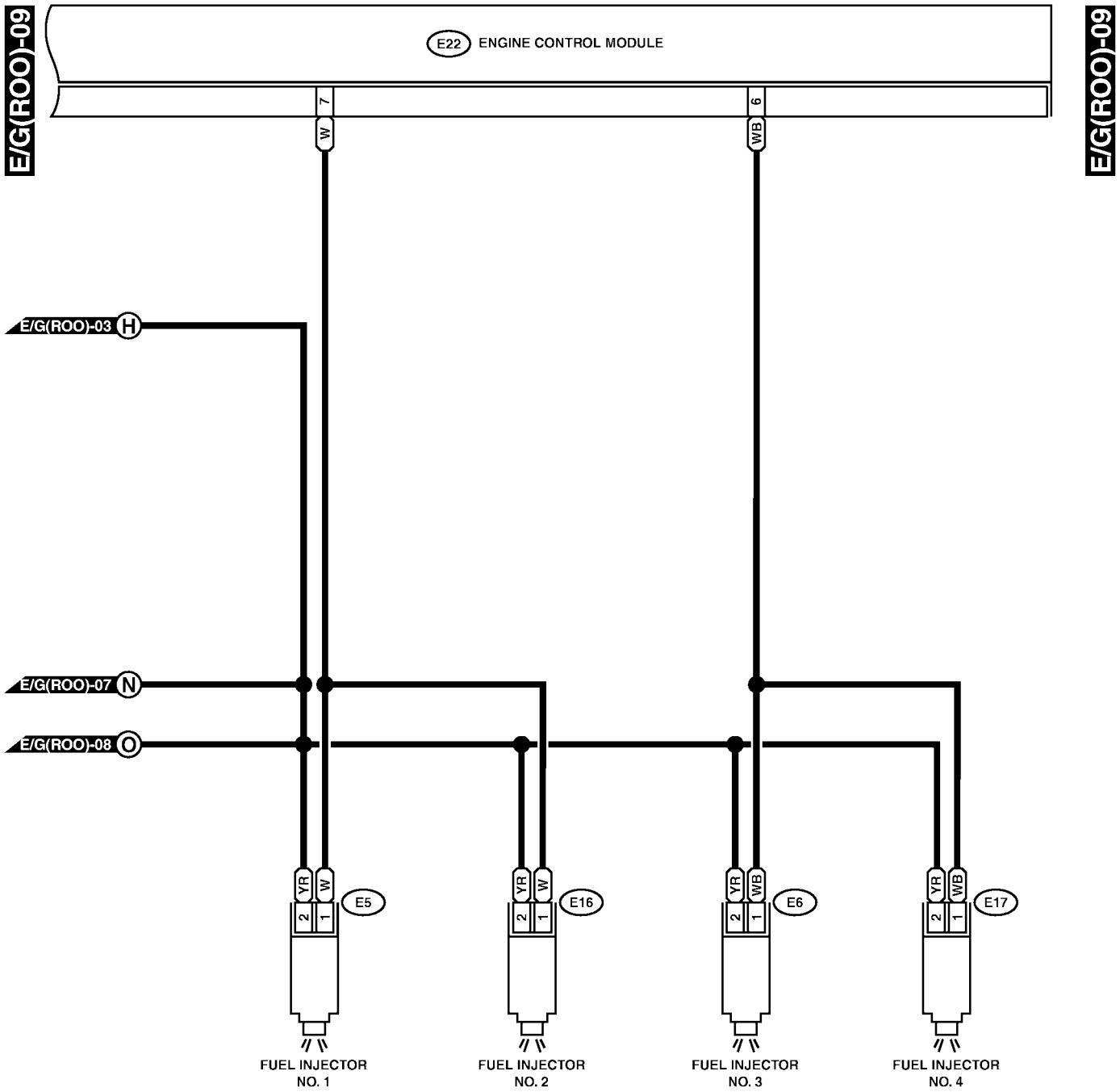


E22 (BLACK)



ENGINE ELECTRICAL SYSTEM

Wiring System



E5 (DARK GRAY)

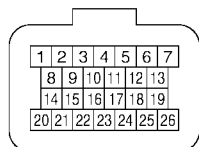
E6 (DARK GRAY)

E16 (DARK GRAY)

E17 (DARK GRAY)



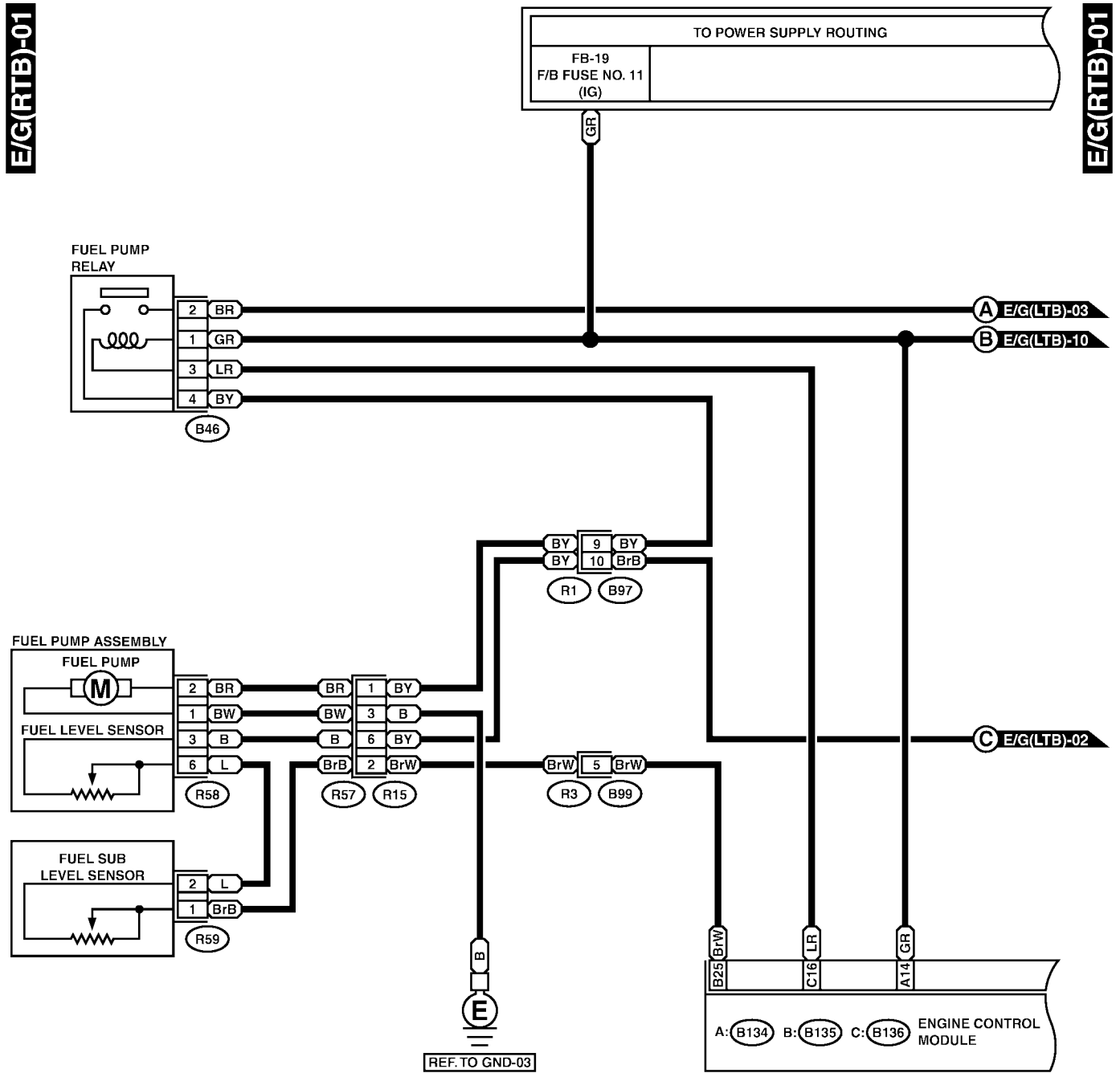
E22 (BLACK)



ENGINE ELECTRICAL SYSTEM

Wiring System

6. RHD DOHC TURBO MODEL S903482A2125



R59



B46 (GREEN)



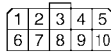
R15 (BLACK)



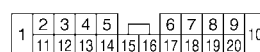
R58 (GRAY)



B97



B99 (BLUE)



A: B134



C: B136

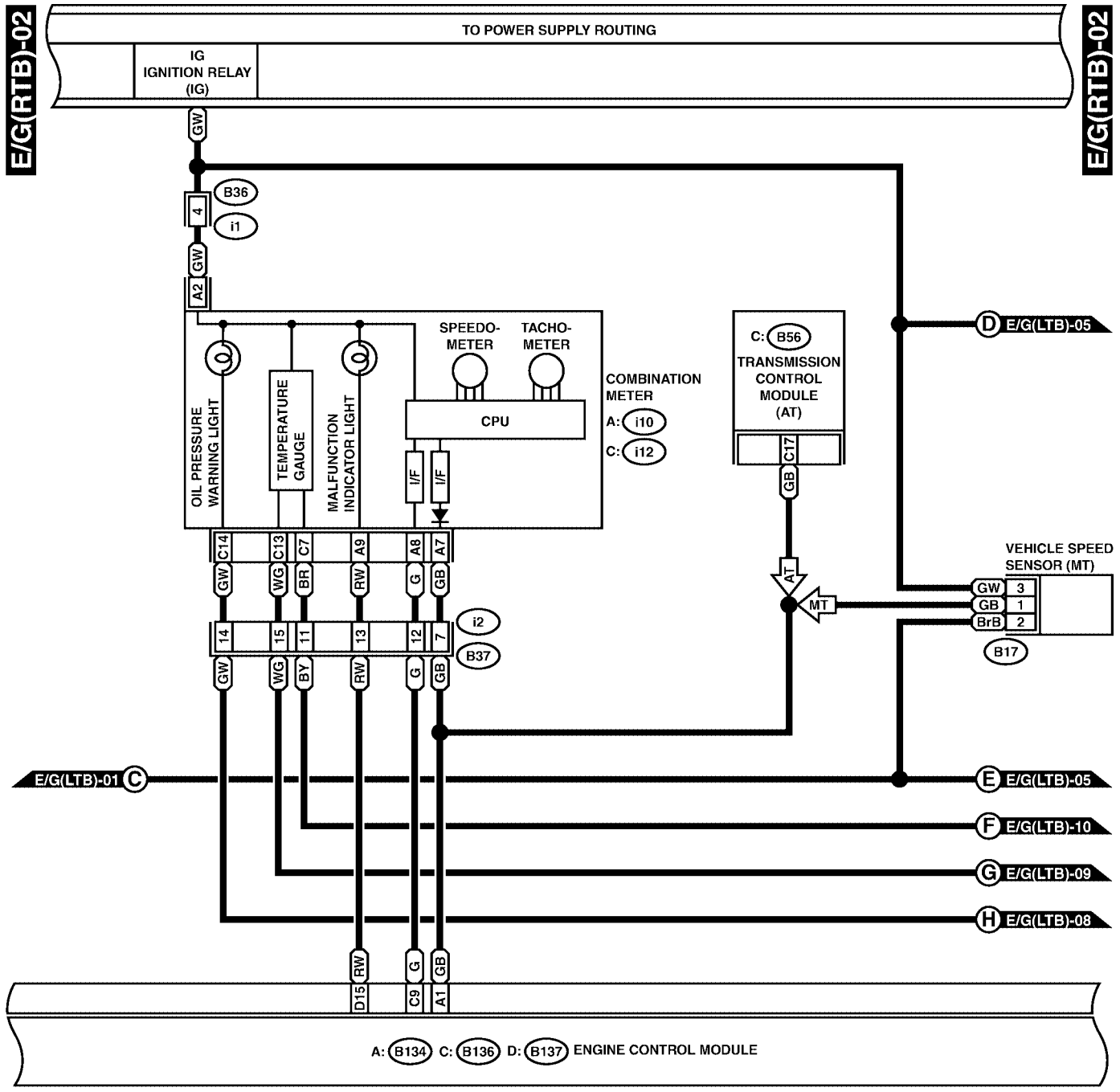


B: B135



ENGINE ELECTRICAL SYSTEM

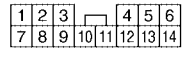
Wiring System



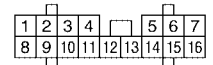
B17



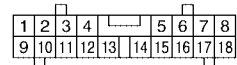
i1 (BLACK)



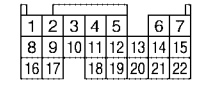
C: i12 (GREEN)



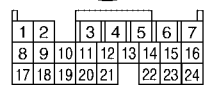
A: i10 (GREEN)



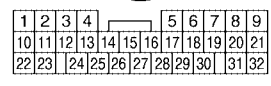
A: B134



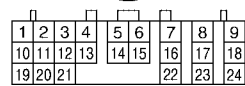
C: B136



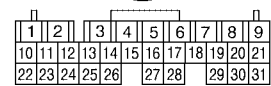
i2 (BLACK)



C: B56 (GREEN)

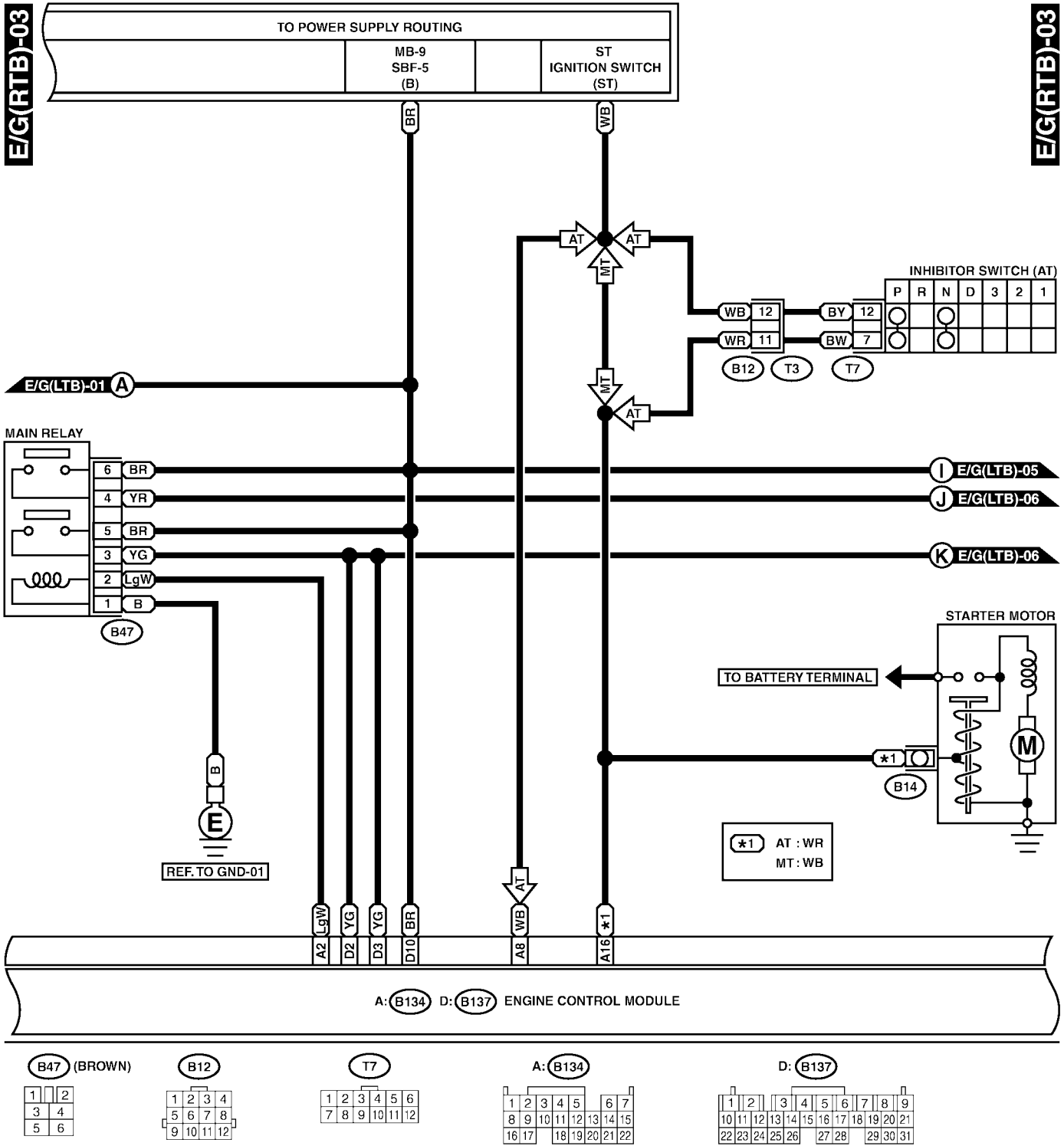


D: B137



ENGINE ELECTRICAL SYSTEM

Wiring System

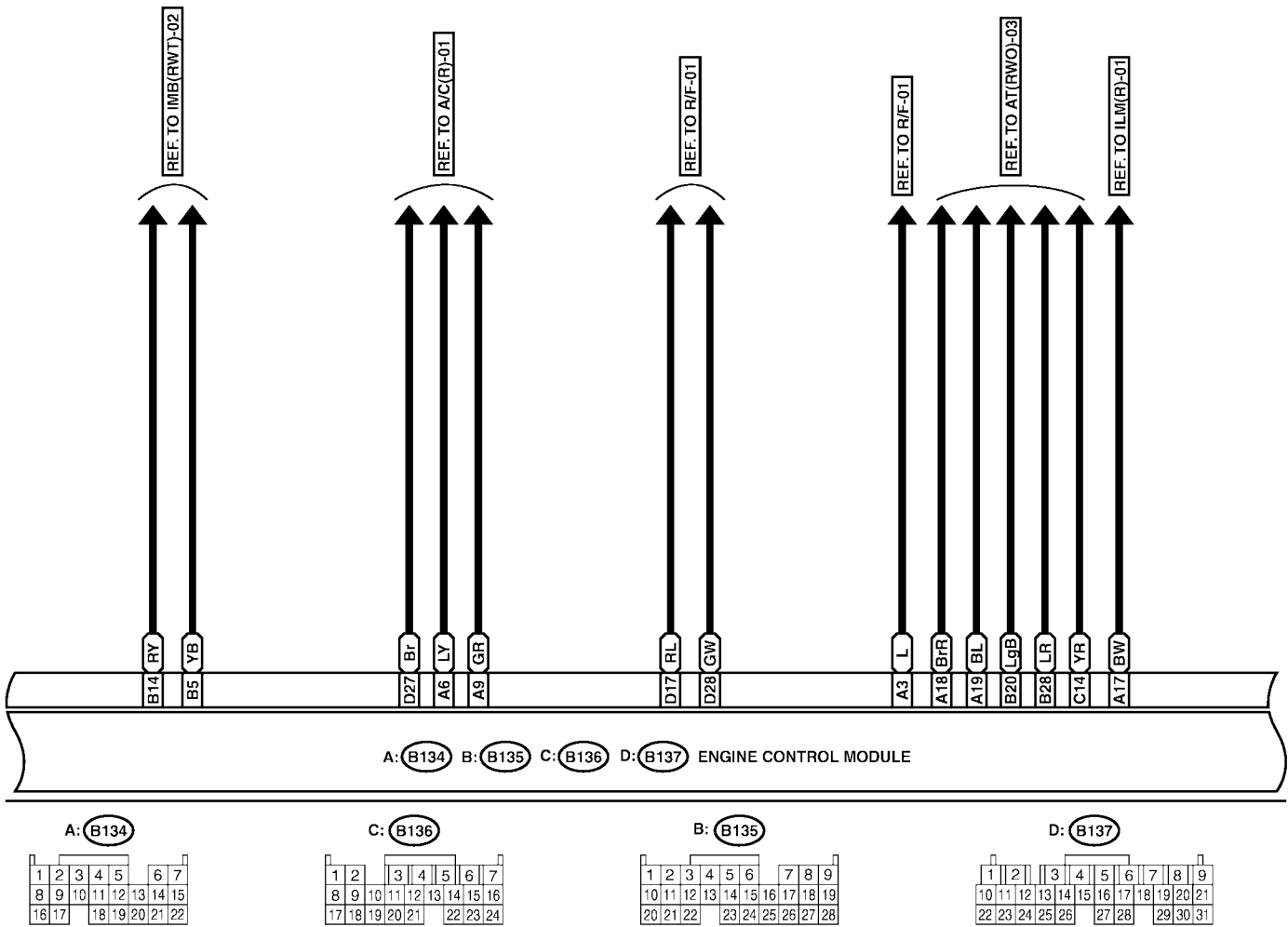


ENGINE ELECTRICAL SYSTEM

Wiring System

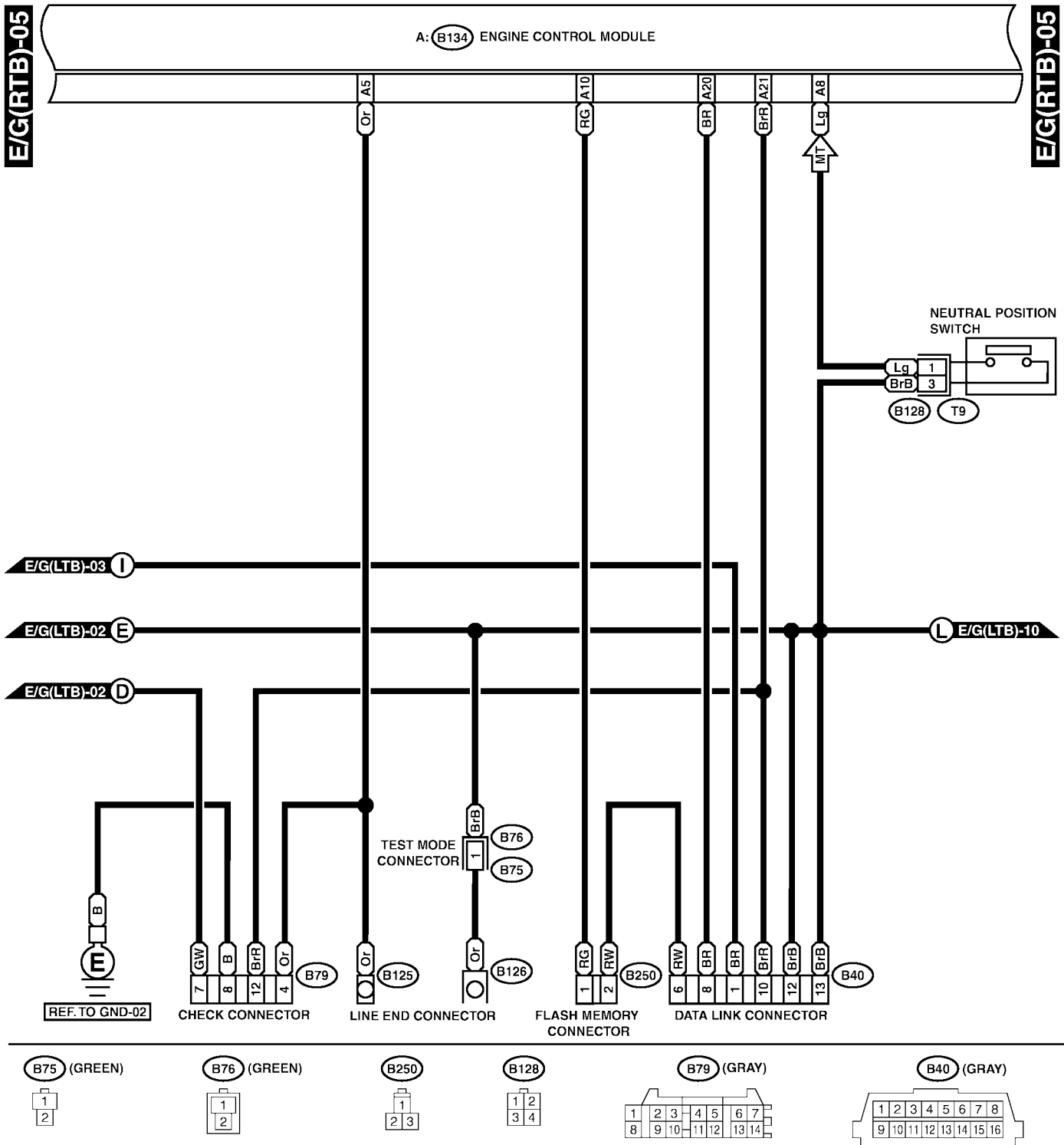
E/G(RTB)-04

E/G(RTB)-04



ENGINE ELECTRICAL SYSTEM

Wiring System



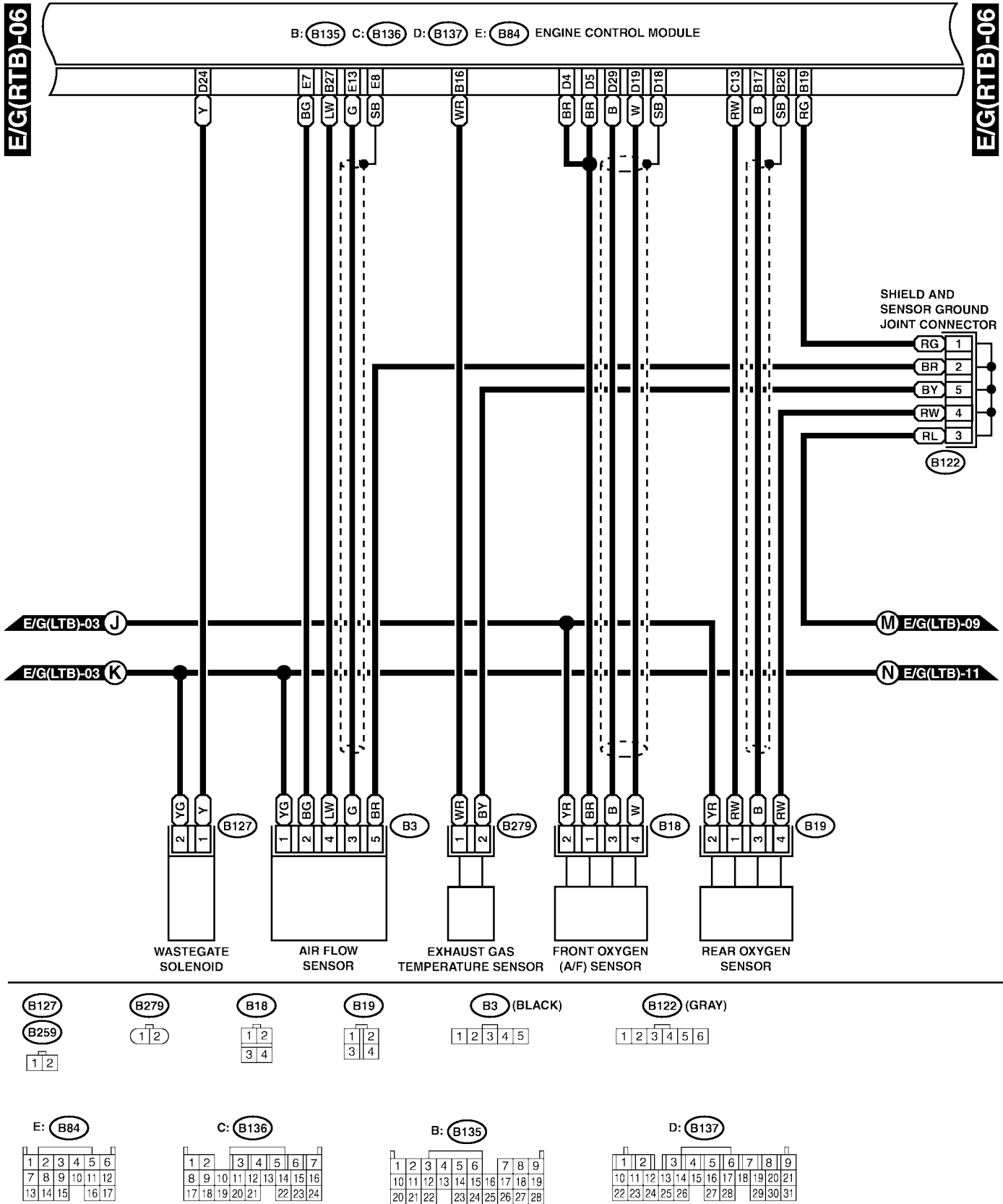
A: B134

1	2	3	4	5	6	7	
8	9	10	11	12	13	14	15
16	17	18	19	20	21	22	

SR10-22E

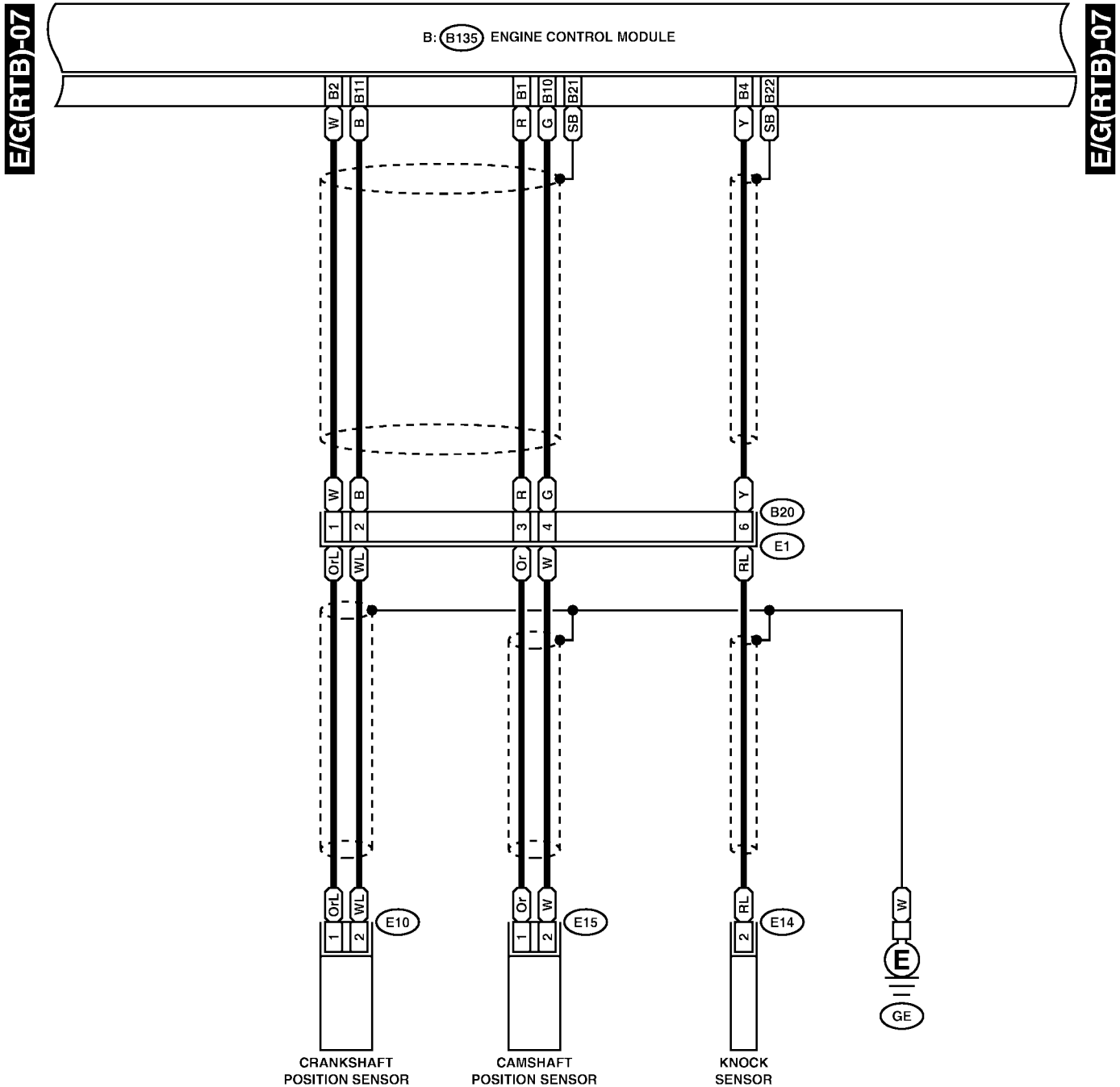
ENGINE ELECTRICAL SYSTEM

Wiring System



ENGINE ELECTRICAL SYSTEM

Wiring System



E10 (LIGHT GRAY)
E14 (GRAY)
E15 (LIGHT GRAY)

1	2
8	9

B20 (LIGHT GRAY)

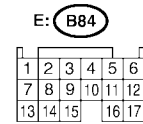
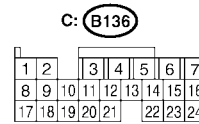
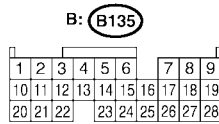
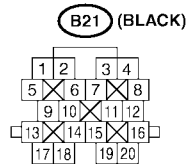
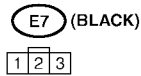
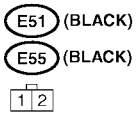
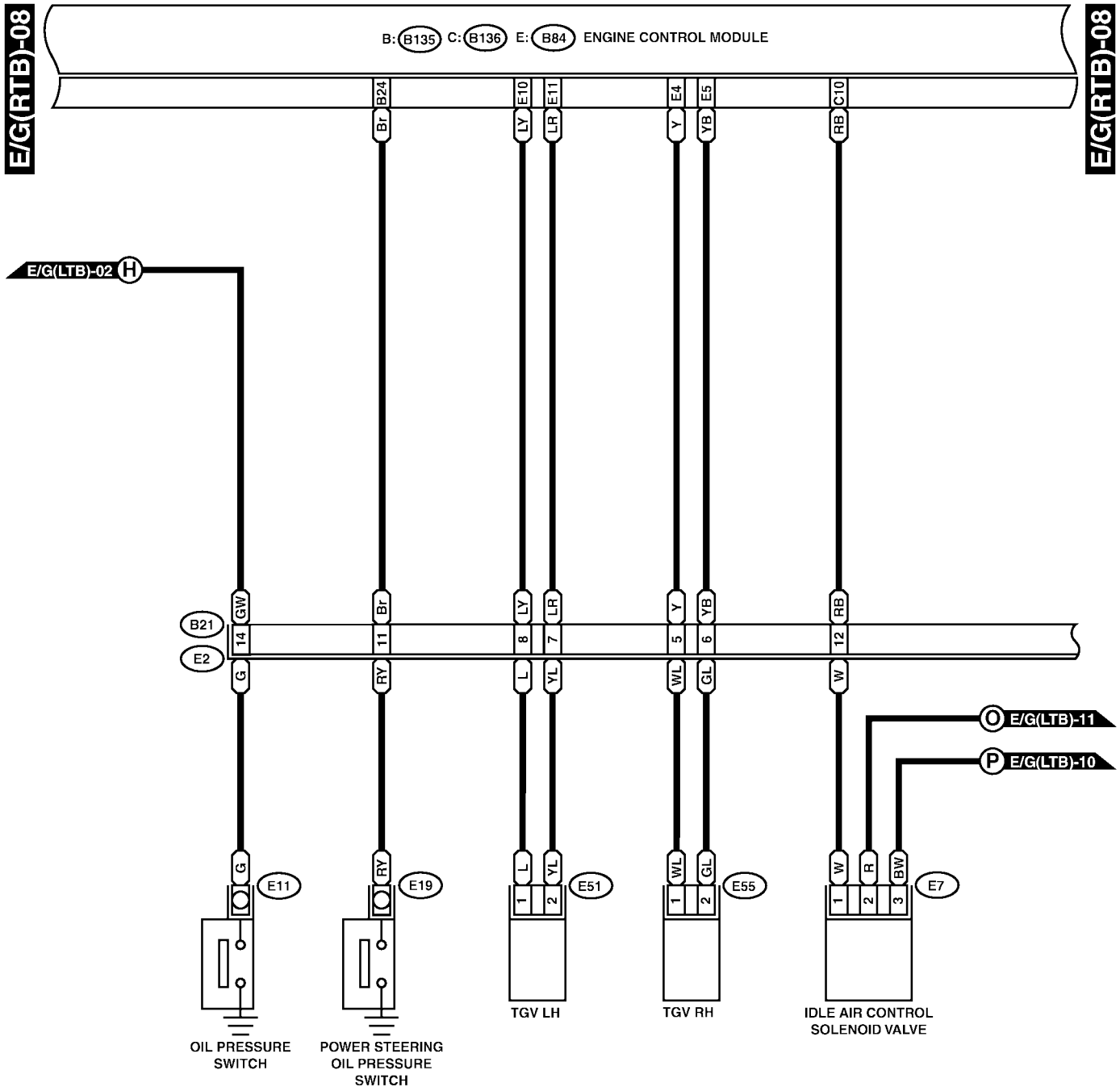
1	2	3	4
5	6	7	
8	9	10	

B: B135

1	2	3	4	5	6	7	8	9	
10	11	12	13	14	15	16	17	18	19
20	21	22	23	24	25	26	27	28	

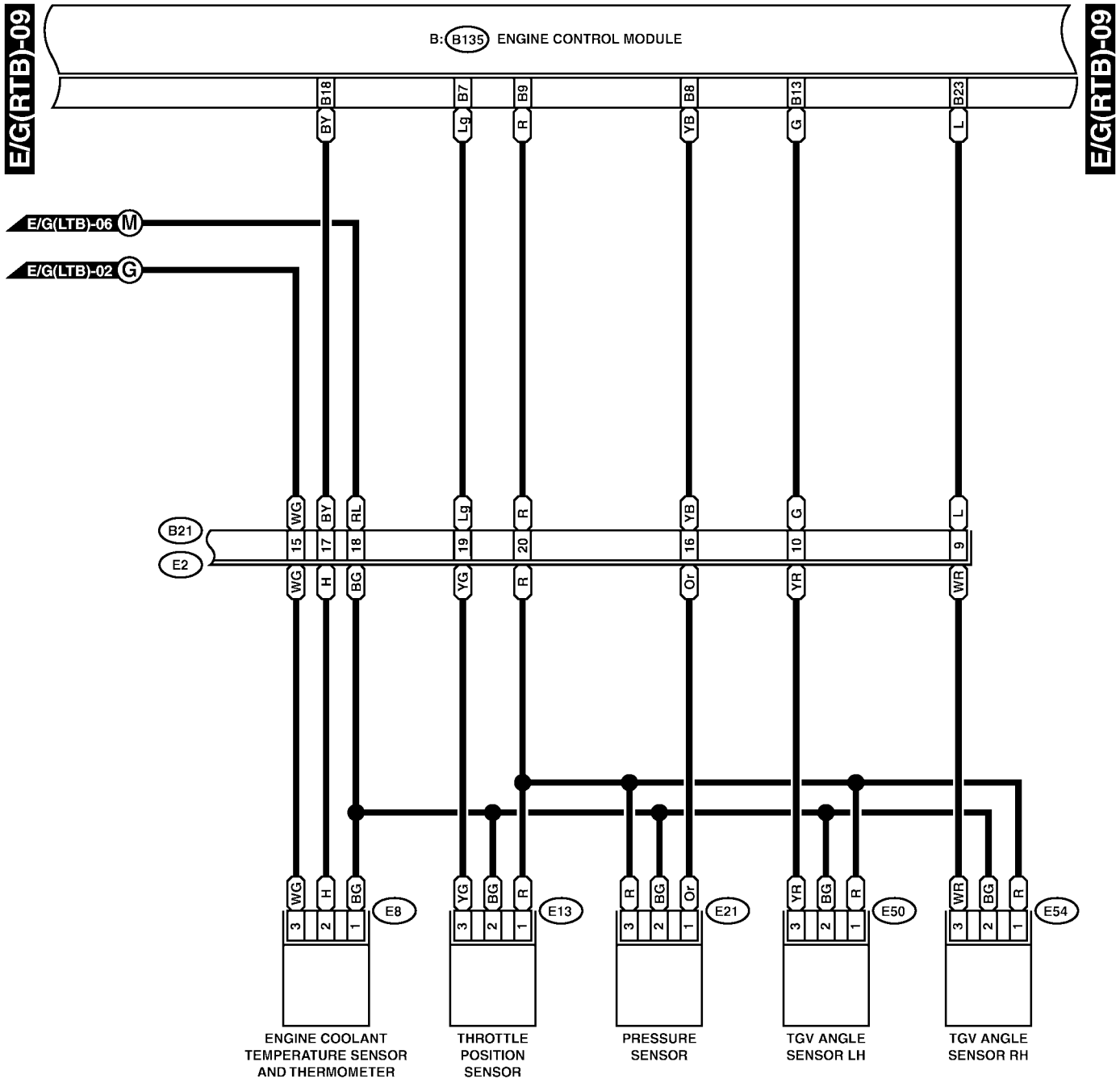
ENGINE ELECTRICAL SYSTEM

Wiring System



ENGINE ELECTRICAL SYSTEM

Wiring System



E8 (LIGHT GRAY)



E13 (BLACK)

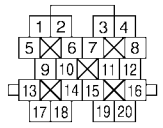
E21 (BLACK)

E50 (BLACK)

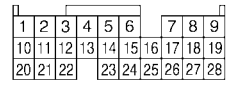
E54 (BLACK)



B21 (BLACK)

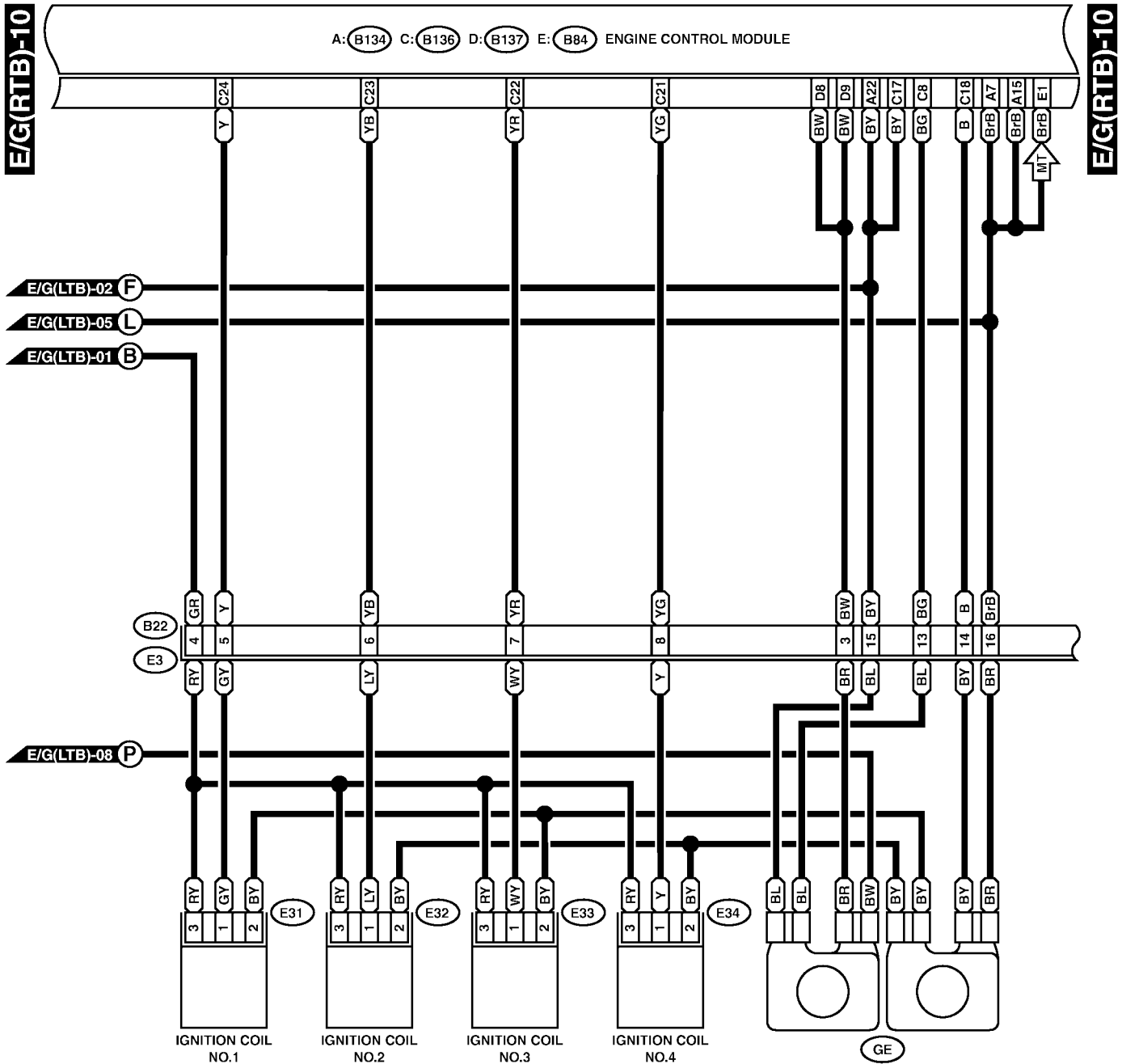


B: B135



ENGINE ELECTRICAL SYSTEM

Wiring System



E31

E32

E33 (BLACK)

E34 (BLACK)

- 1
- 2
- 3

B22 (BROWN)

1	2	3	4
5	6	7	8
9	10	11	12
13	14	15	16

A: B134

1	2	3	4	5	6	7
8	9	10	11	12	13	14
15	16	17	18	19	20	21
22	23	24	25	26	27	28

C: B136

1	2	3	4	5	6	7
8	9	10	11	12	13	14
15	16	17	18	19	20	21
22	23	24	25	26	27	28

D: B137

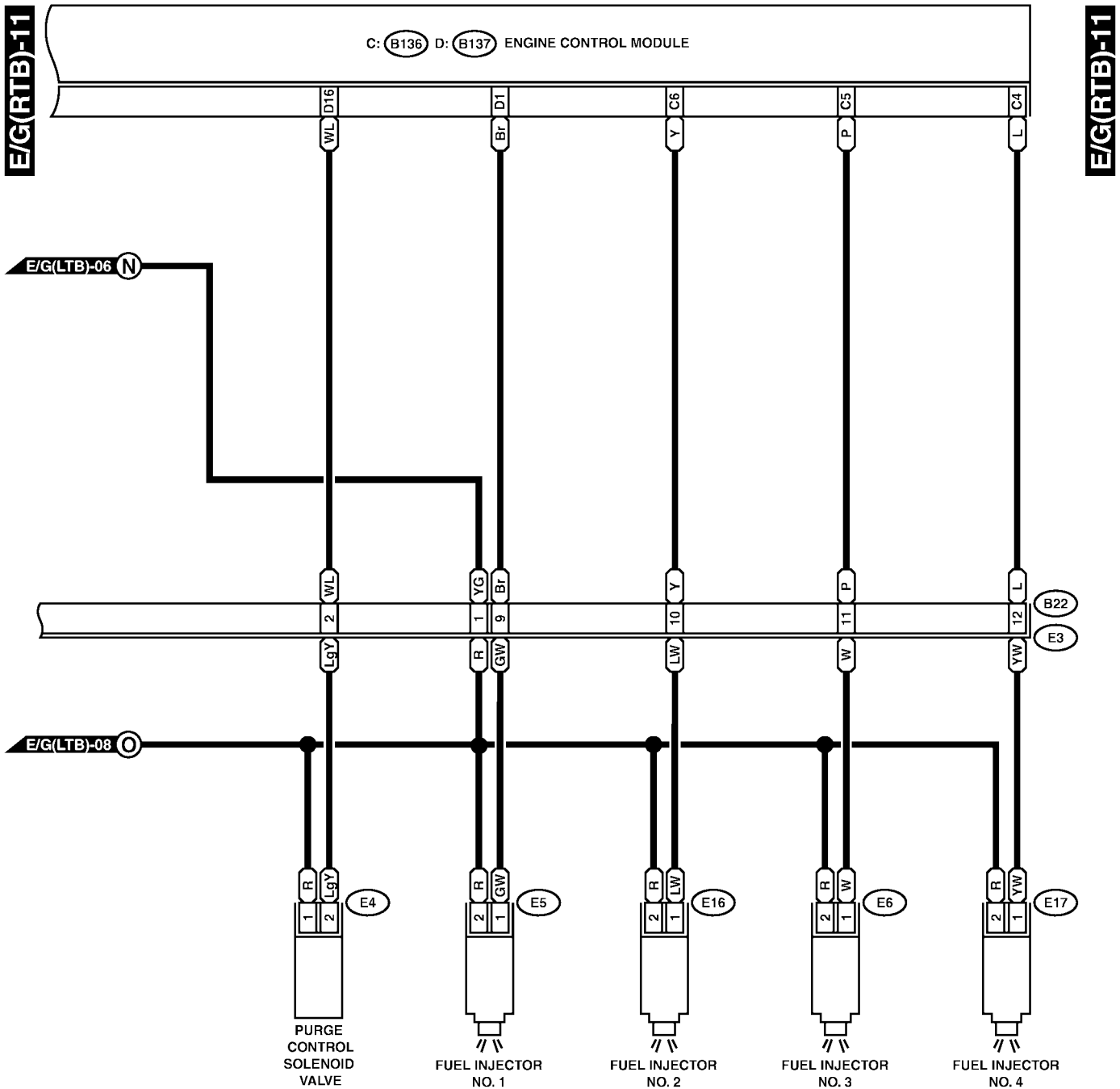
1	2	3	4	5	6	7	8	9
10	11	12	13	14	15	16	17	18
19	20	21	22	23	24	25	26	27
28	29	30	31	32	33	34	35	36

E: B84

1	2	3	4	5	6
7	8	9	10	11	12
13	14	15	16	17	18

ENGINE ELECTRICAL SYSTEM

Wiring System



E5 (DARK GRAY)

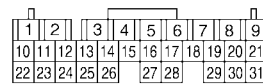
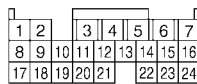
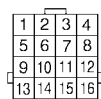
E4 (BLACK)

B22 (BROWN)

C: B136

D: B137

E6 (DARK GRAY)



E16 (DARK GRAY)

E17 (DARK GRAY)



FRONT ACCESSORY POWER SUPPLY SYSTEM

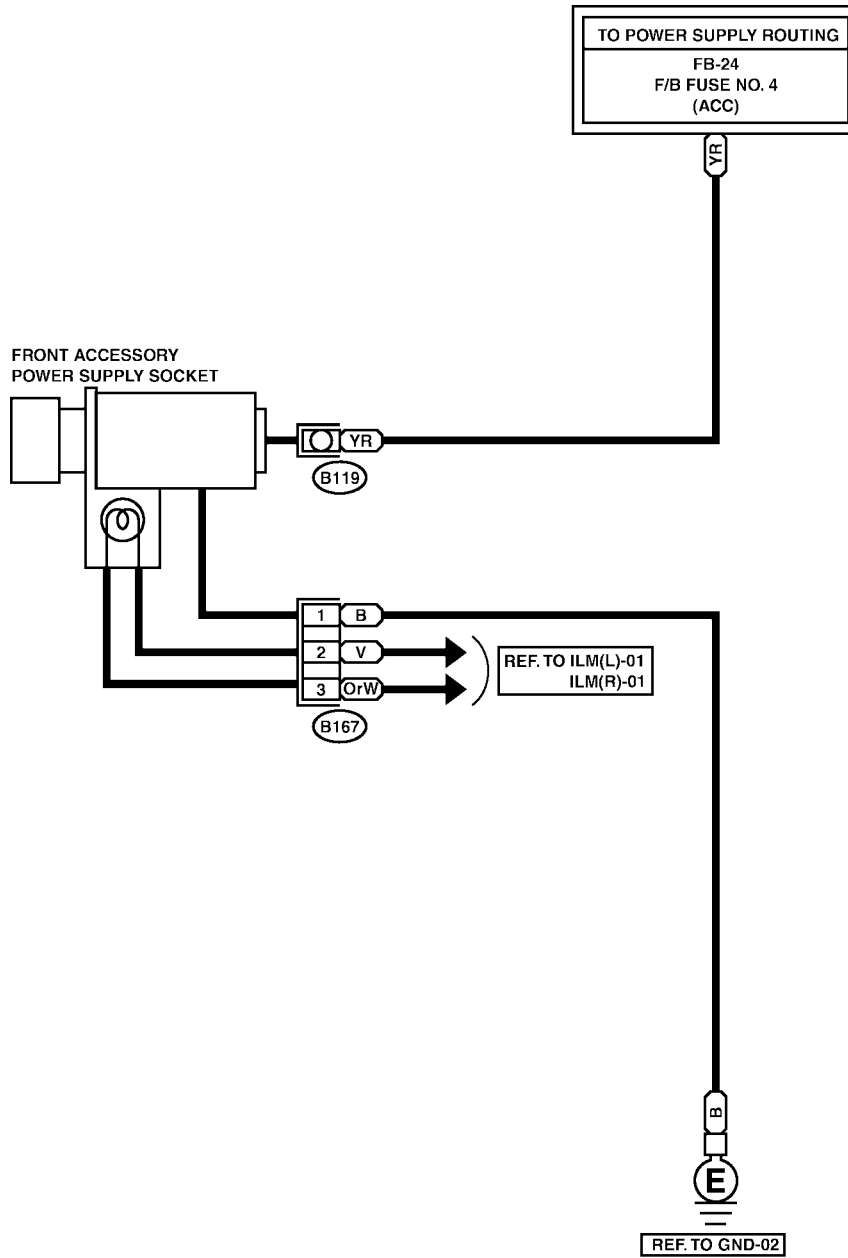
Wiring System

17. Front Accessory Power Supply System S903664

A: SCHEMATIC S903664A21

FAPS-01

FAPS-01



B167

1
2 3

MEMO:

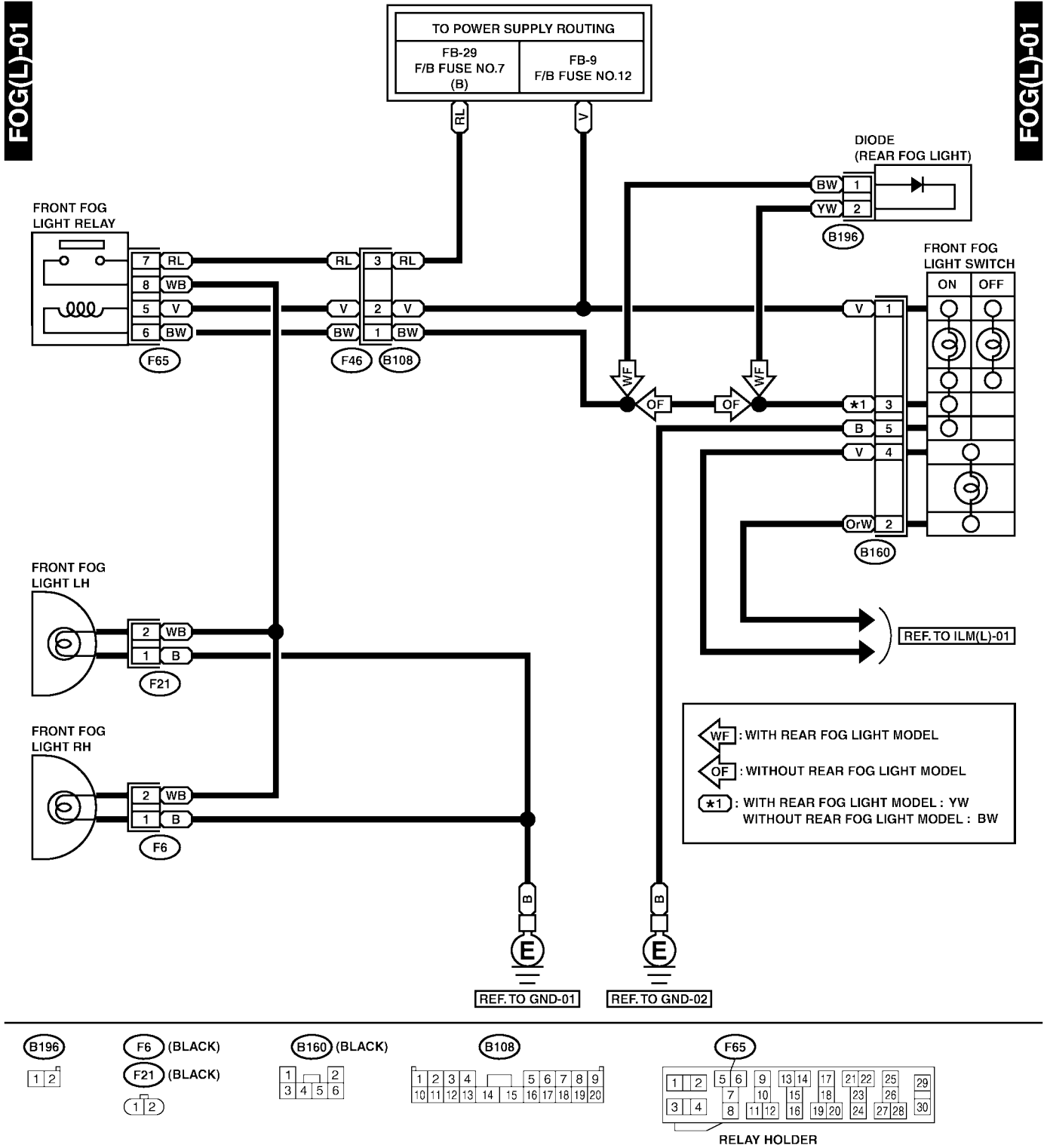
FRONT FOG LIGHT SYSTEM

Wiring System

18. Front Fog Light System S903473

A: SCHEMATIC S903473A21

1. LHD MODEL S903473A2101



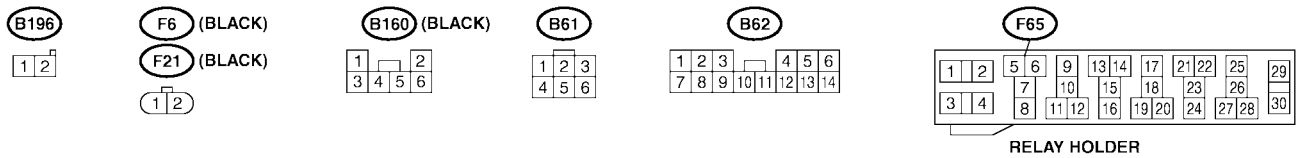
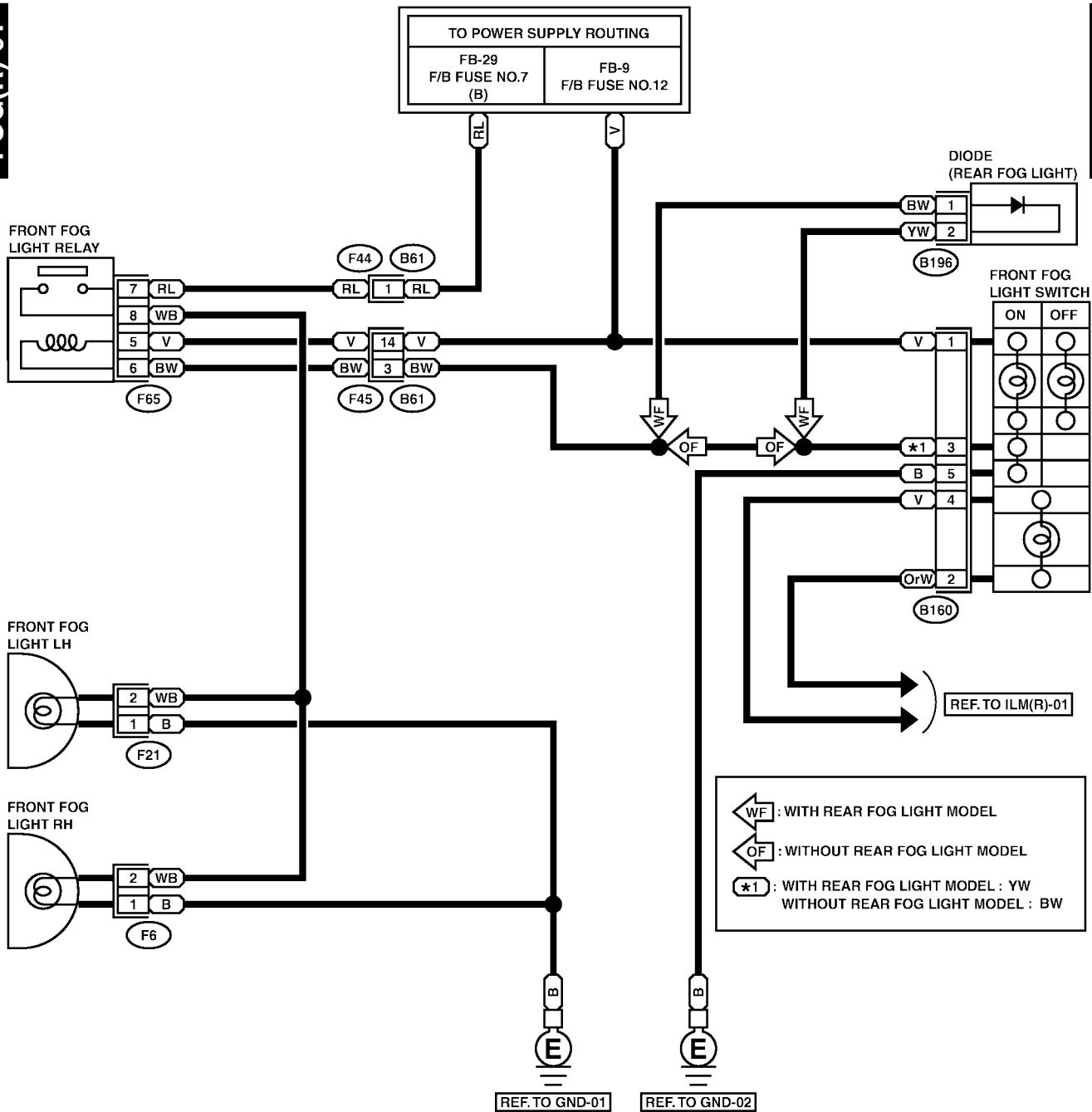
FRONT FOG LIGHT SYSTEM

Wiring System

2. RHD MODEL S903473A2102

FOG(R)-01

FOG(R)-01



FUEL GAUGE SYSTEM

Wiring System

19. Fuel Gauge System

S903046

A: SCHEMATIC

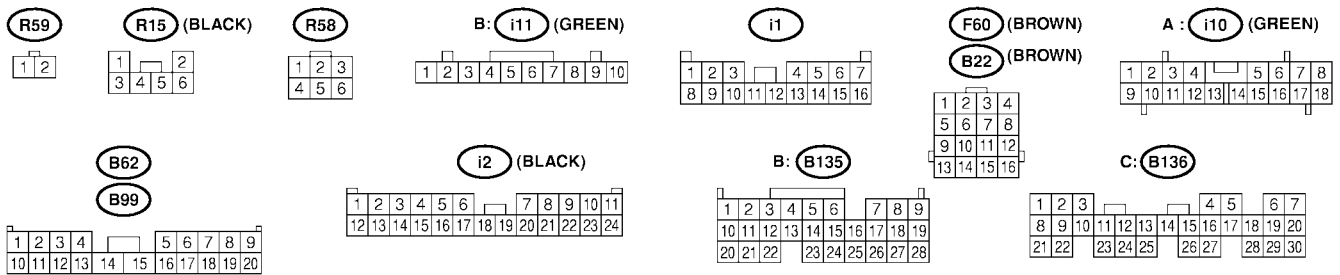
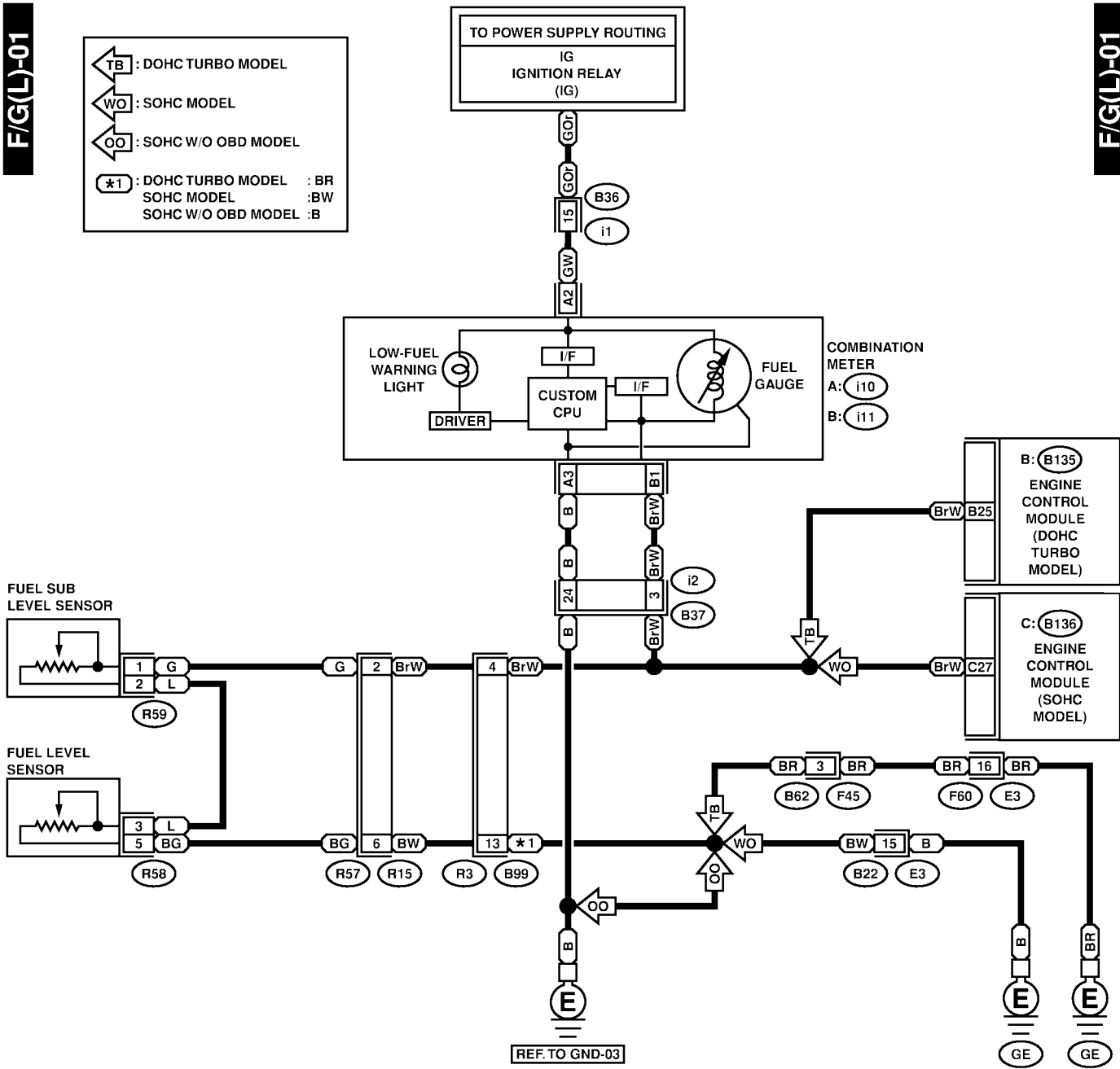
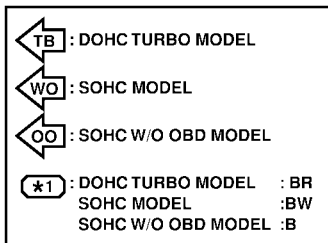
S903046A21

1. LHD MODEL

S903046A2105

F/G(L)-01

F/G(L)-01



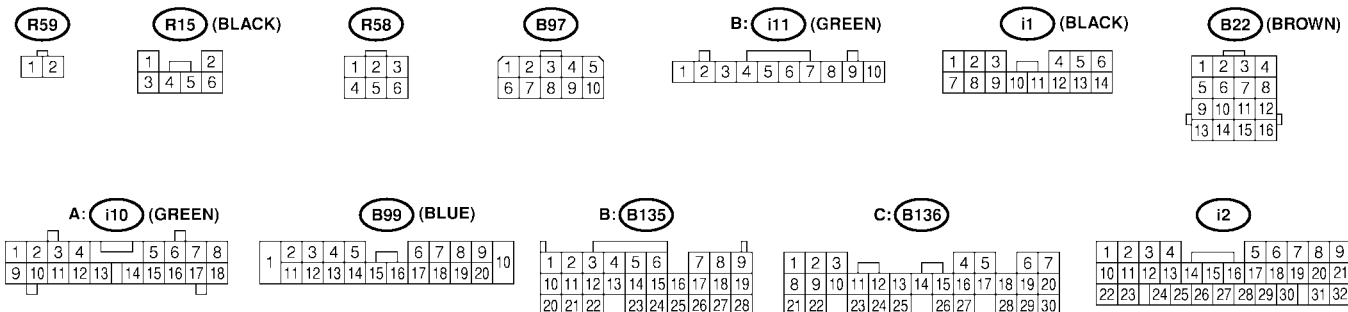
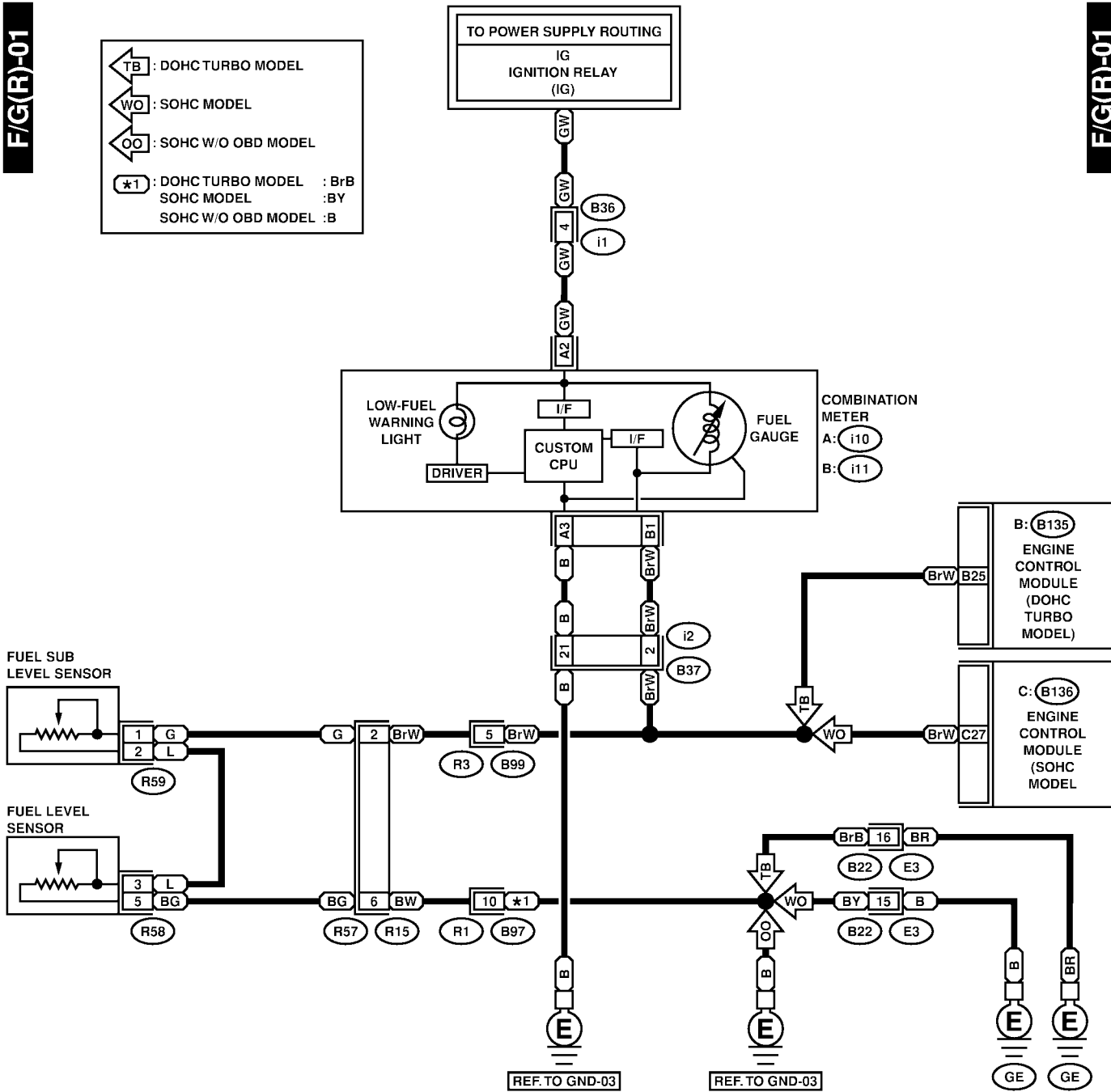
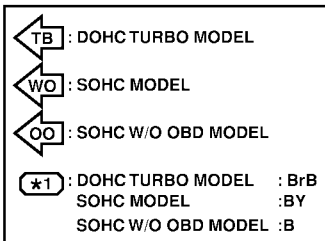
FUEL GAUGE SYSTEM

Wiring System

2. RHD MODEL S903046A2106

F/G(R)-01

F/G(R)-01



FULL-TIME DUAL-RANGE SYSTEM

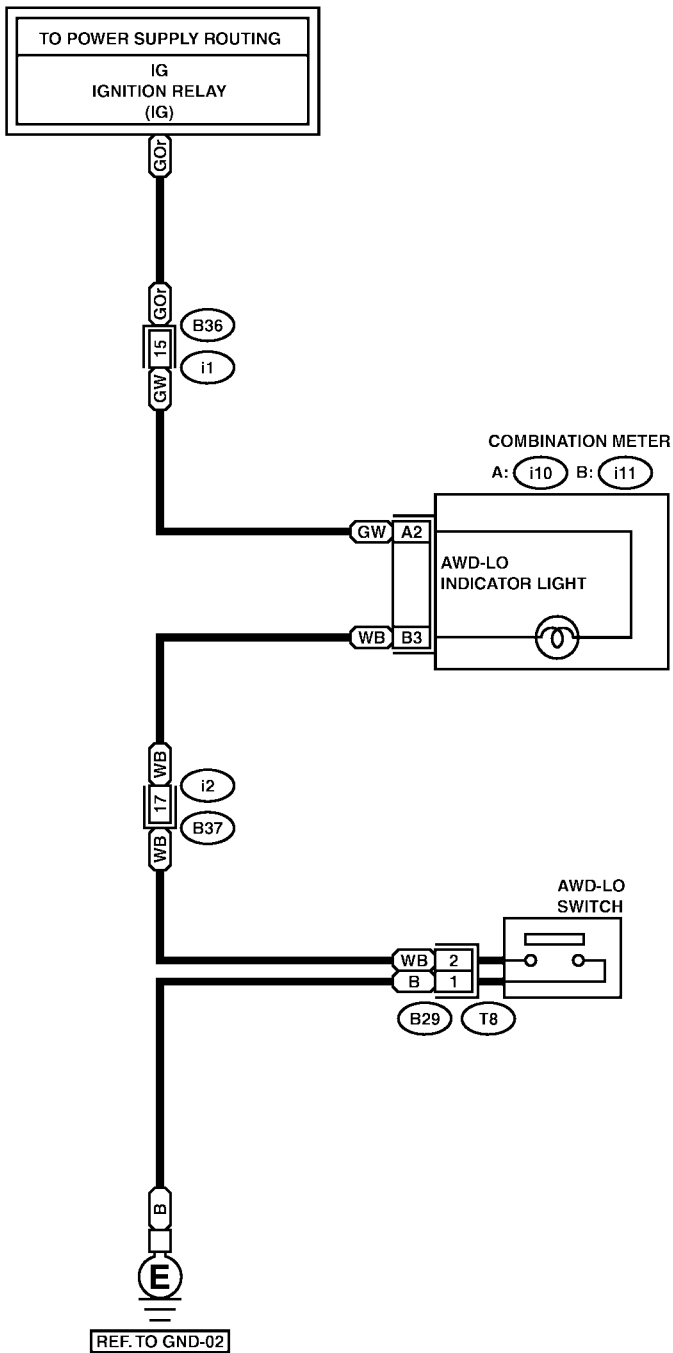
Wiring System

20. Full-Time Dual-Range System S903492

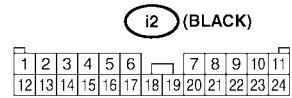
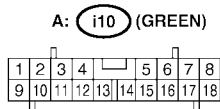
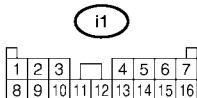
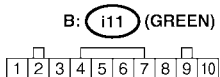
A: SCHEMATIC S903492A21

1. LHD MODEL S903492A2101

D/R(L)-01



D/R(L)-01



FULL-TIME DUAL-RANGE SYSTEM

Wiring System

2. RHD MODEL S903492A2102

D/R(R)-01

D/R(R)-01

