

WIRING SYSTEM SECTION**WIRING SYSTEM****WI**

This service manual has been prepared to provide SUBARU service personnel with the necessary information and data for the correct maintenance and repair of SUBARU vehicles.

This manual includes the procedures for maintenance, disassembling, reassembling, inspection and adjustment of components and diagnostics for guidance of experienced mechanics.

Please peruse and utilize this manual fully to ensure complete repair work for satisfying our customers by keeping their vehicle in optimum condition. When replacement of parts during repair work is needed, be sure to use SUBARU genuine parts.

All information, illustration and specifications contained in this manual are based on the latest product information available at the time of publication approval.

WIRING SYSTEM



	Page
1. Basic Diagnostics Procedure	3
2. Working Precautions	13
3. Power Supply Routing.....	14
4. Ground Distribution	28
5. Airbag System.....	40
6. Air Conditioning System.....	46
7. Anti-lock Brake System.....	50
8. A/T Control System.....	58
9. Audio System	84
10. Back-up Light System	88
11. Charging System.....	89
12. Clearance Light and Illumination Light System	90
13. Combination Meter.....	96
14. Cruise Control System	98
15. Door Lock System.....	104
16. Engine Electrical System	106
17. Front Accessory Power Supply System.....	164
18. Front Fog Light System.....	166
19. Fuel Gauge System	168
20. Full-Time Dual-Range System	170
21. Headlight Beam Leveler System.....	172
22. Headlight System	174
23. Headlight Washer System.....	176
24. Horn System.....	177
25. Immobilizer System	178
26. In Compartment Light System	186
27. Keyless Entry System	190
28. Oil Pressure and Temperature Gauge System.....	196
29. Outside Temperature Display System.....	198
30. Parking Brake and Brake Fluid Level Warning System.....	200
31. Power Window System	202
32. Radiator Fan System	210
33. Rear Accessory Power Supply System.....	211
34. Rear Differential Oil Temperature Warning System.....	212
35. Rear Fog Light System	214
36. Rear Window Defogger System.....	216
37. Remote Controlled Rearview Mirror System	218
38. Seat Belt Warning System	222
39. Seat Heater System.....	224
40. Starter System.....	225
41. Stop Light System.....	226
42. Sunroof System.....	227
43. Turn Signal Light and Hazard Light System.....	228
44. Wiper and Washer System (Front)	232

DIAGNOSTICS CHART WITH TROUBLE CODE

Wiring System

45.	Wiper and Washer System (Rear)	233
46.	Wiper Deicer System	234
47.	Overall Systems	236
48.	Front Wiring Harness	238
49.	Bulkhead Wiring Harness (In Engine Room).....	242
50.	Bulkhead Wiring Harness (In Compartment).....	254
51.	Engine Wiring Harness and Transmission Cord.....	260
52.	Instrument Panel Wiring Harness	266
53.	Rear Wiring Harness.....	270
54.	Door Cord.....	274
55.	Rear Gate Cord.....	278

HEADLIGHT BEAM LEVELER SYSTEM

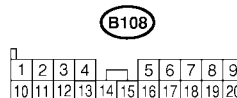
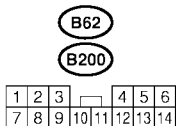
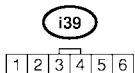
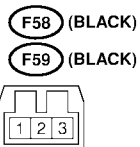
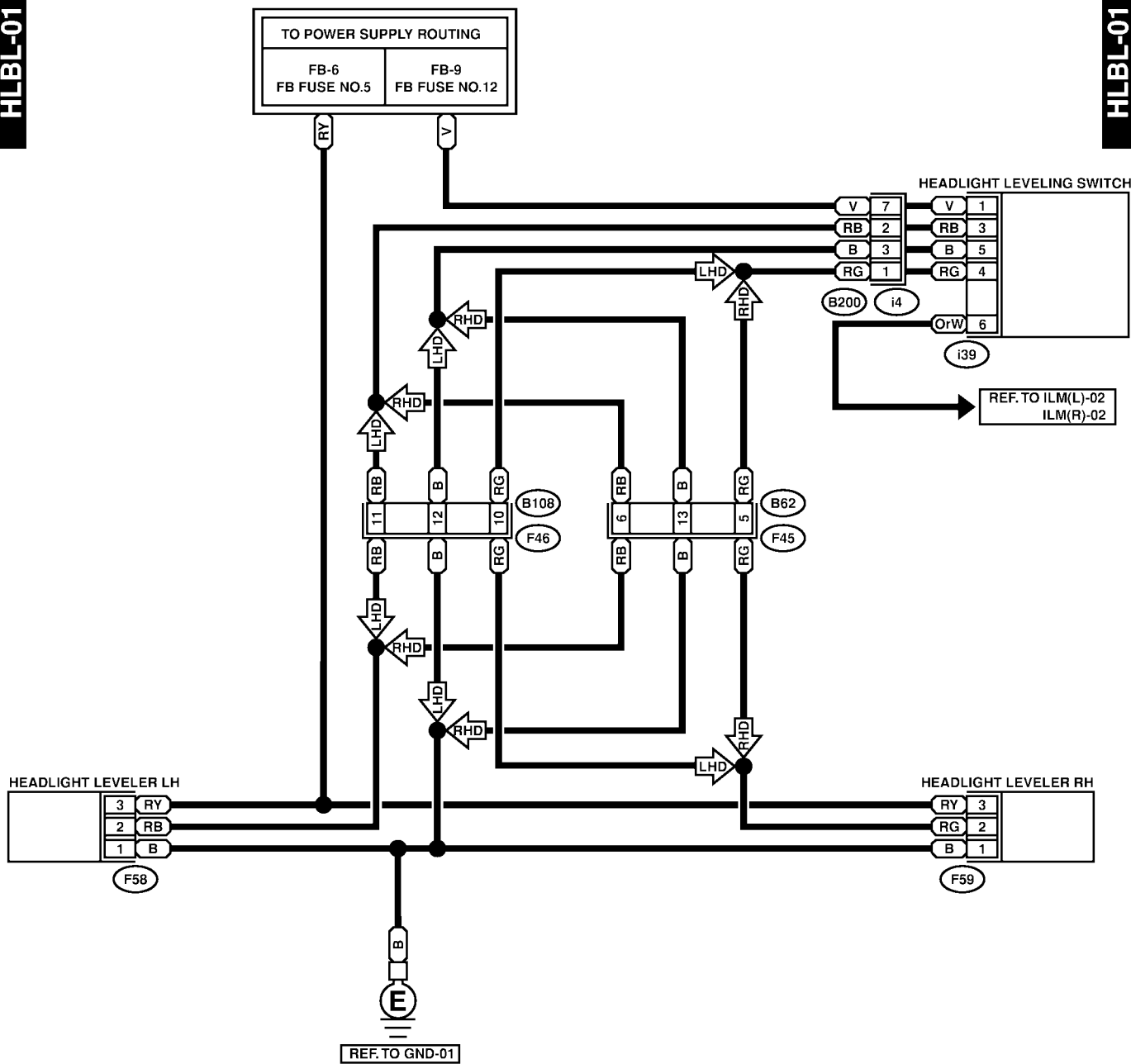
Wiring System

21. Headlight Beam Leveler System S903493

A: SCHEMATIC S903493A21

HLBL-01

HLBL-01



MEMO:

HEADLIGHT SYSTEM

Wiring System

22. Headlight System

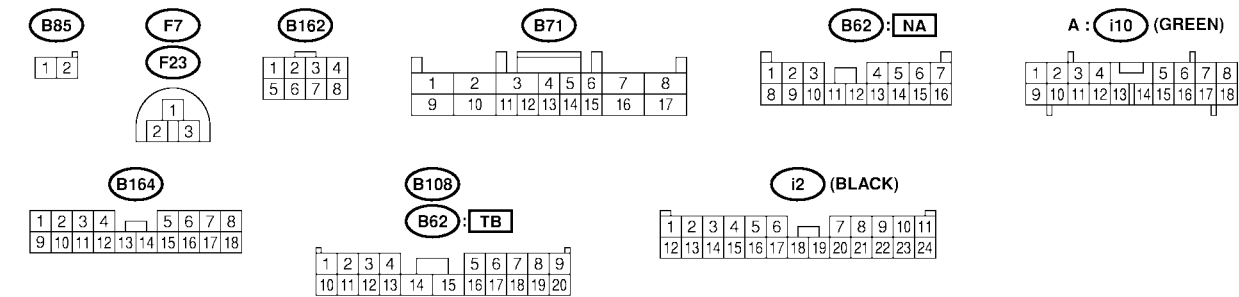
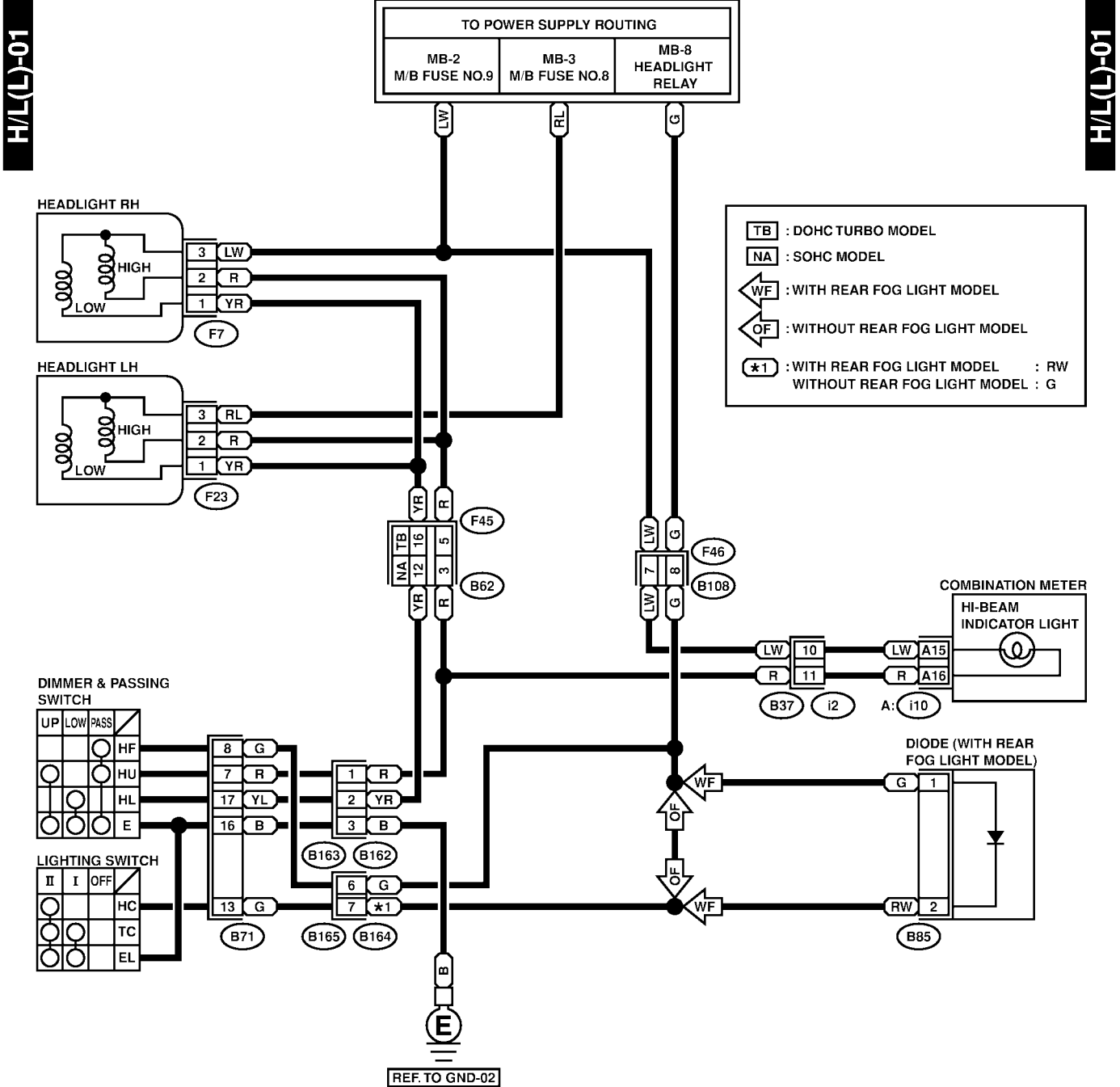
S903474

A: SCHEMATIC

S903474A21

1. LHD MODEL

S903474A2101



SL19-20

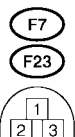
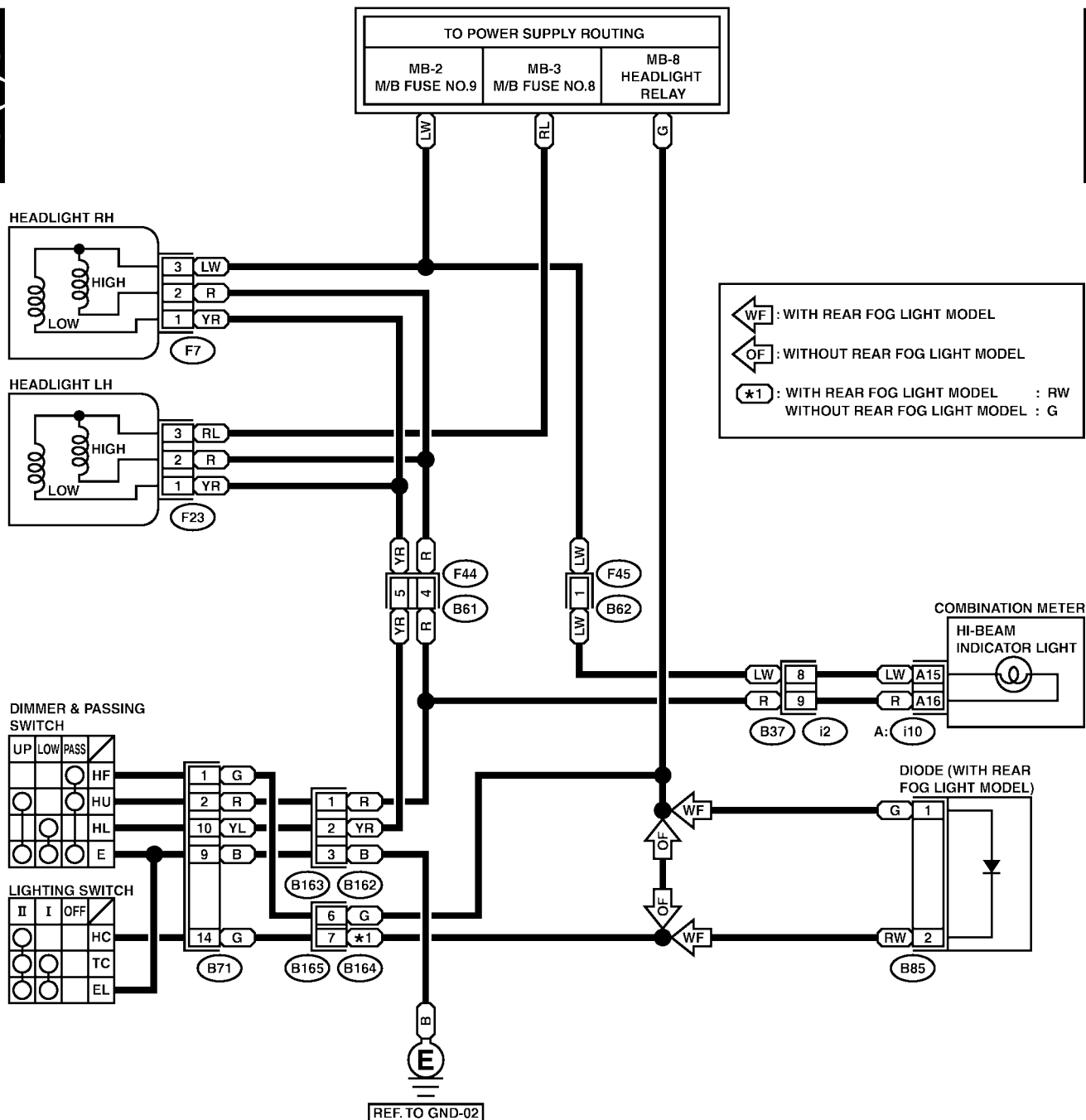
HEADLIGHT SYSTEM

Wiring System

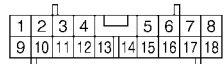
2. RHD MODEL S903474A2102

H/L(R)-01

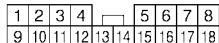
H/L(R)-01



A : i10 (GREEN)



B164



i2



HEADLIGHT WASHER SYSTEM

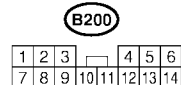
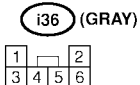
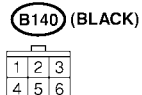
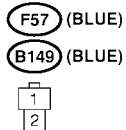
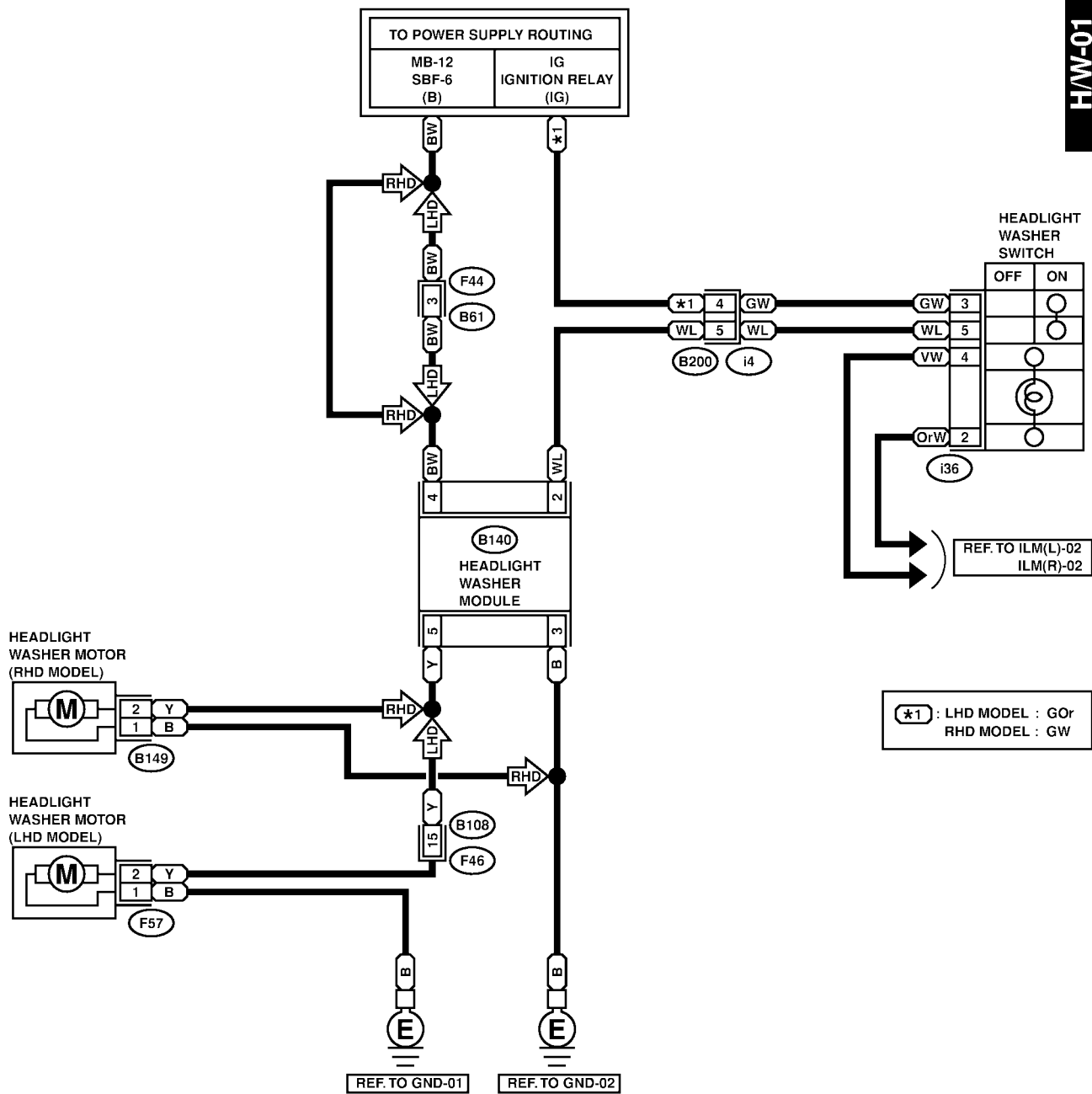
Wiring System

23. Headlight Washer System S903746

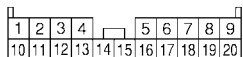
A: SCHEMATIC S903746A21

H/W-01

H/W-01



B108

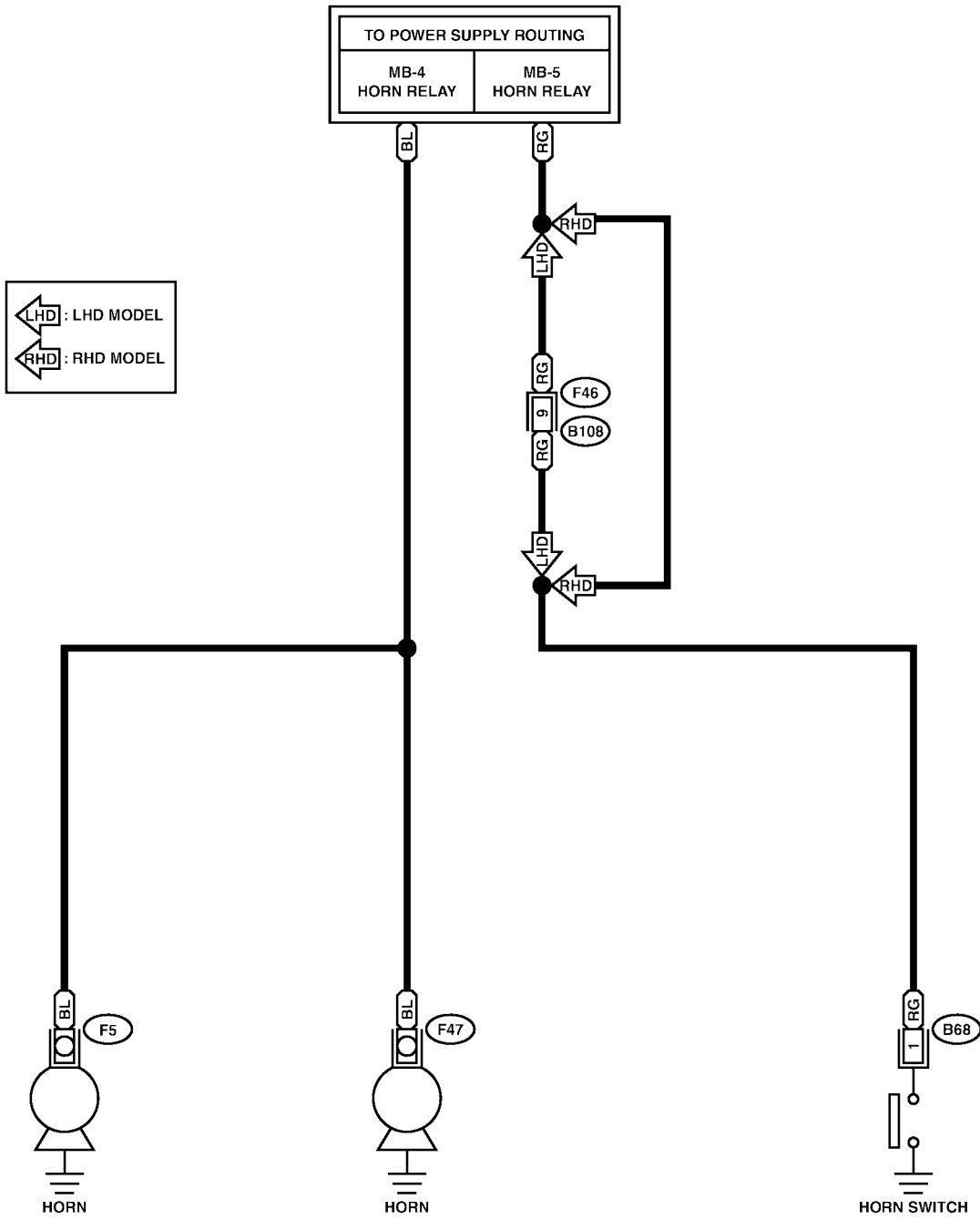


24. Horn System S903436

A: SCHEMATIC S903436A21

HORN-01

HORN-01



B68 (BLACK)

1	2
3	4

B108

1	2	3	4	5	6	7	8	9
10	11	12	13	14	15	16	17	18
19	20							

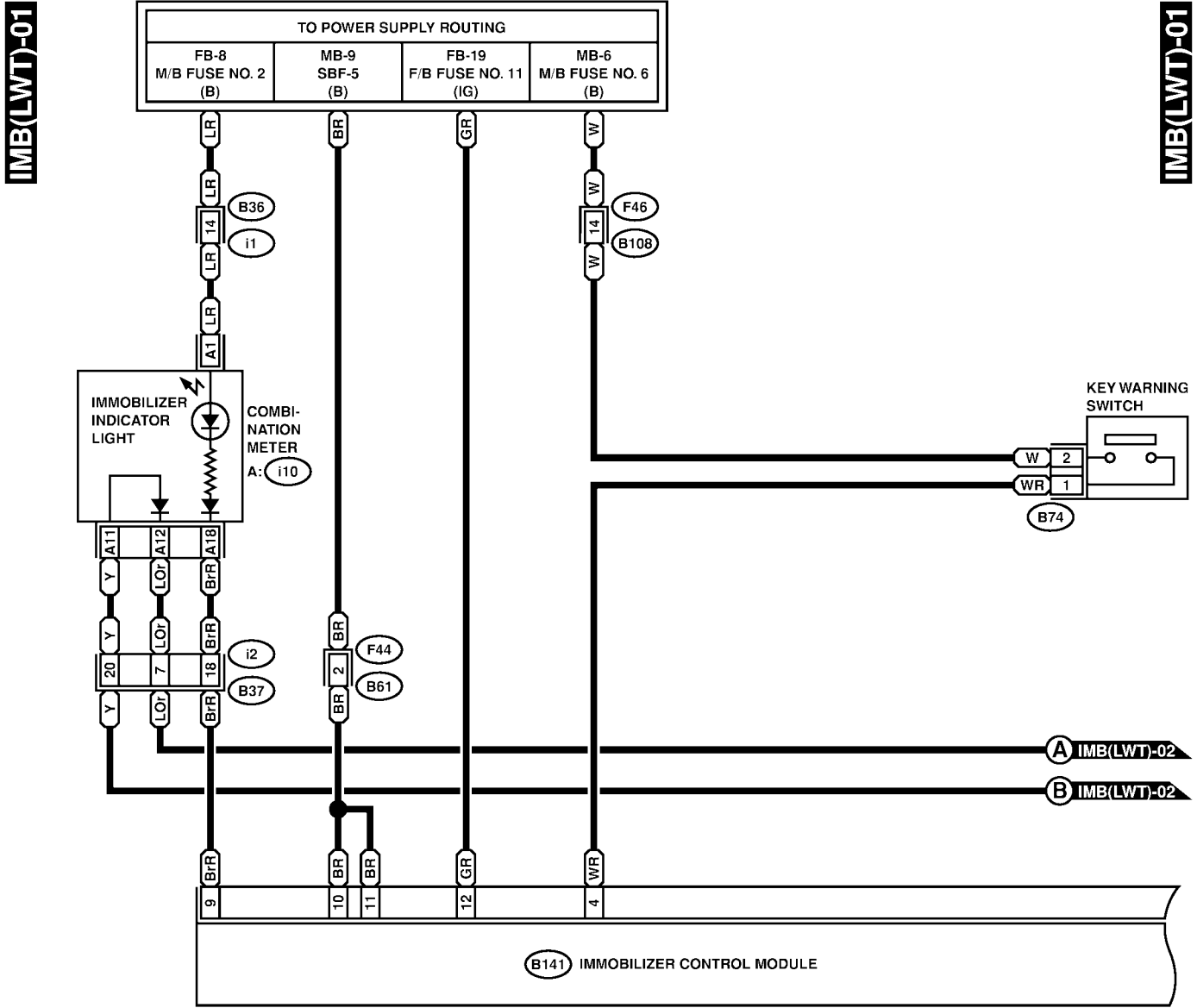
IMMOBILIZER SYSTEM

Wiring System

25. Immobilizer System S903346

A: SCHEMATIC S903346A21

1. LHD MODEL WITH OBD S903346A2103



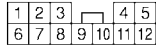
B74 (BLACK)



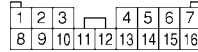
B61



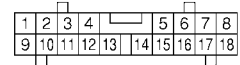
B141



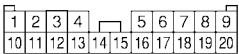
i1



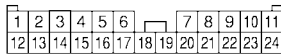
A: i10 (GREEN)



B108

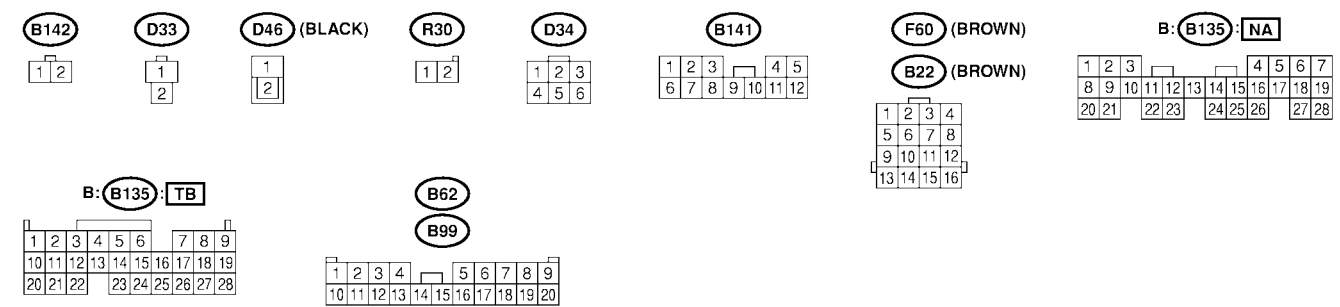
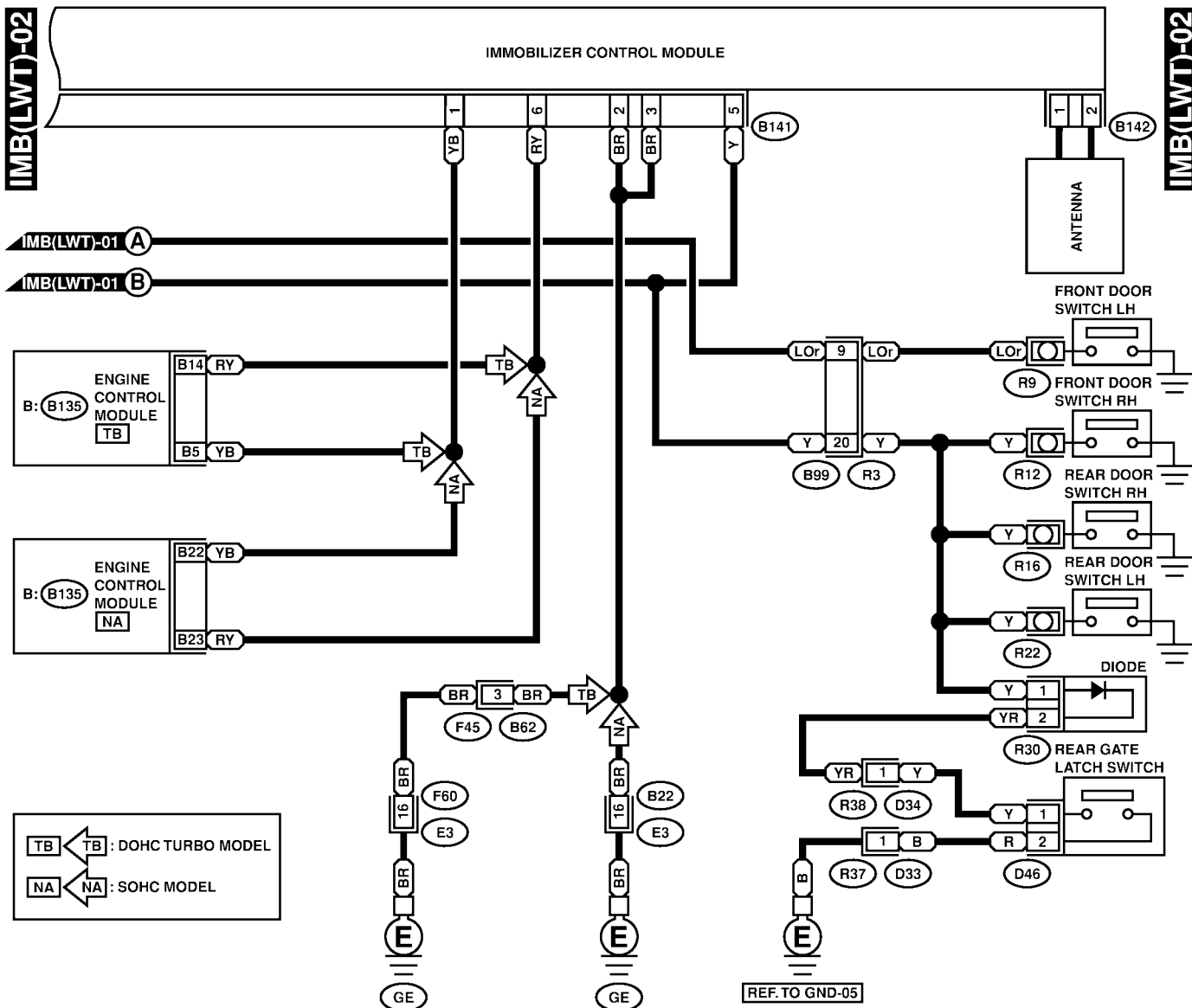


i2 (BLACK)



IMMOBILIZER SYSTEM

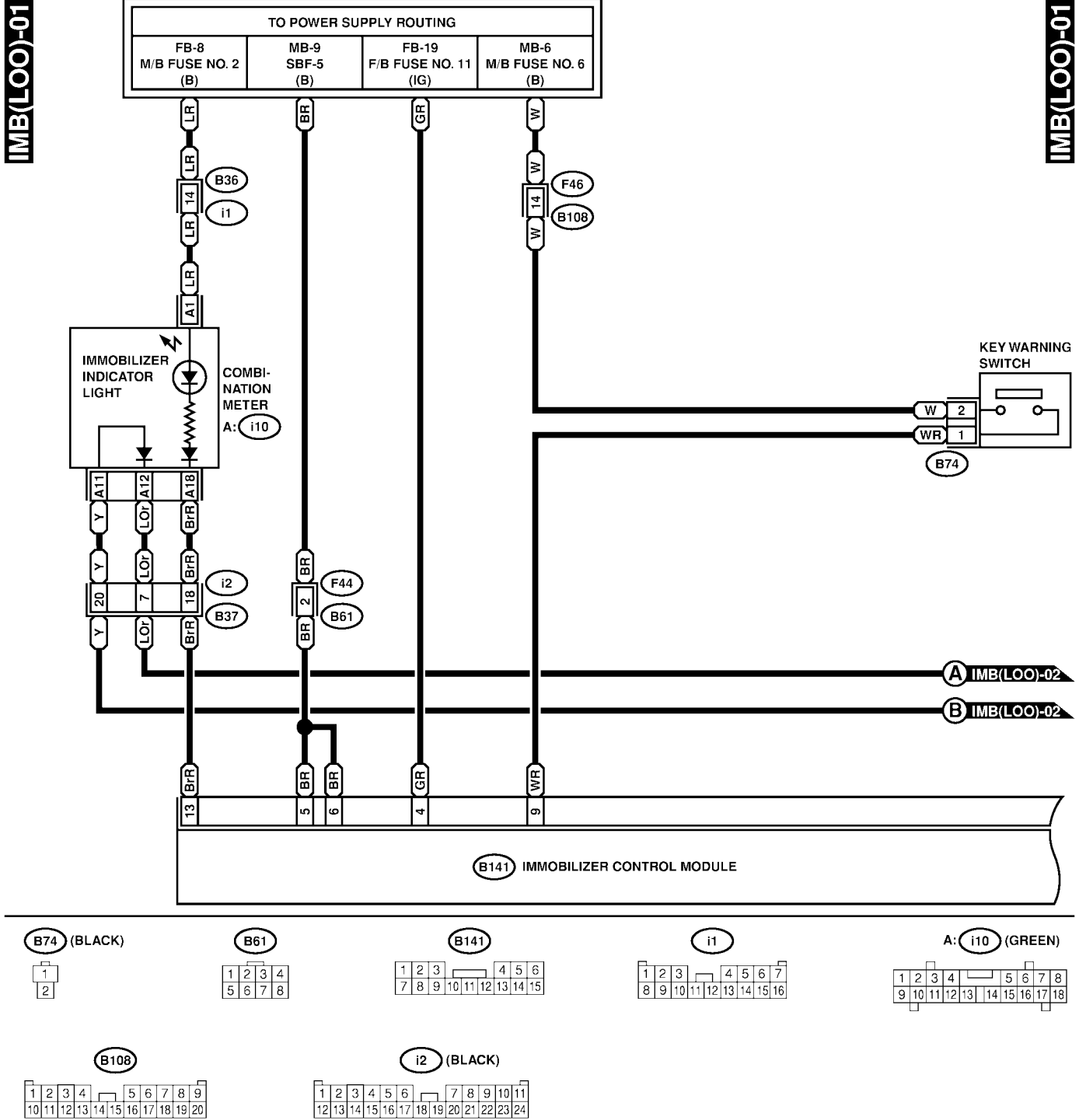
Wiring System



IMMOBILIZER SYSTEM

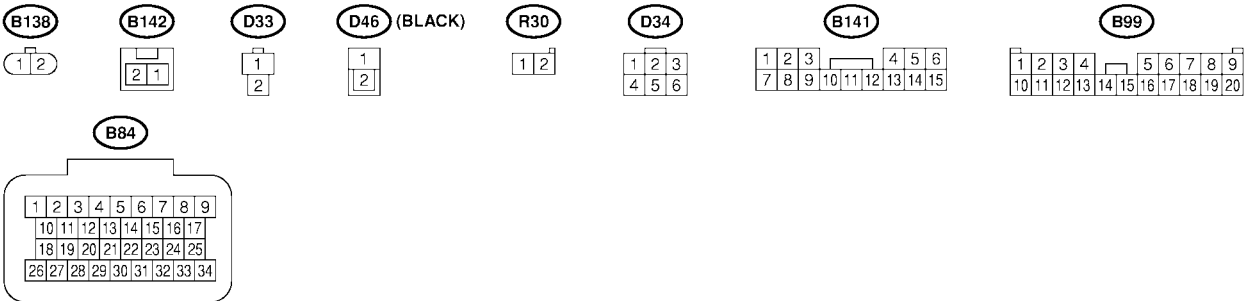
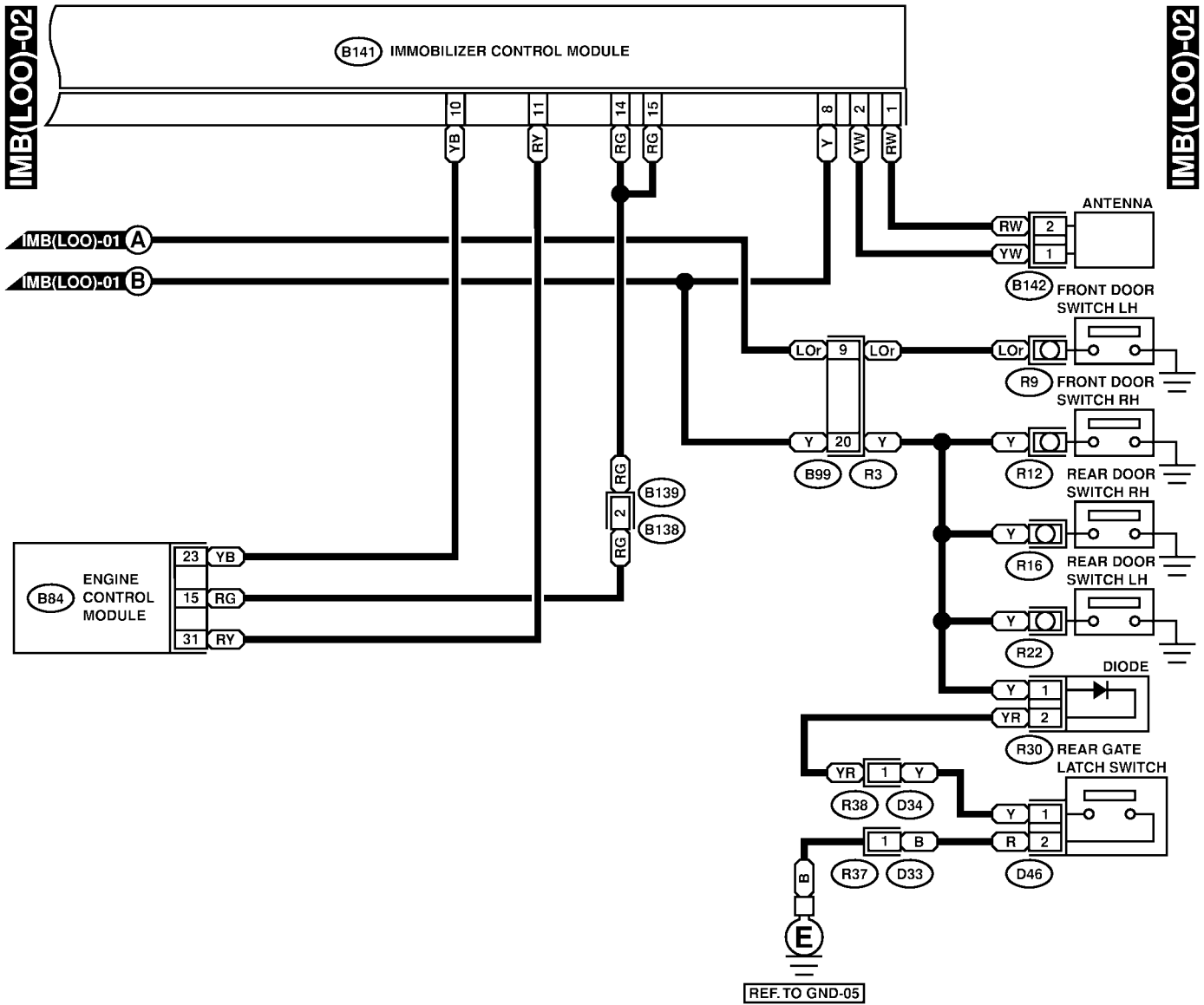
Wiring System

2. LHD NON-TURBO MODEL WITHOUT OBD S903346A2104



IMMOBILIZER SYSTEM

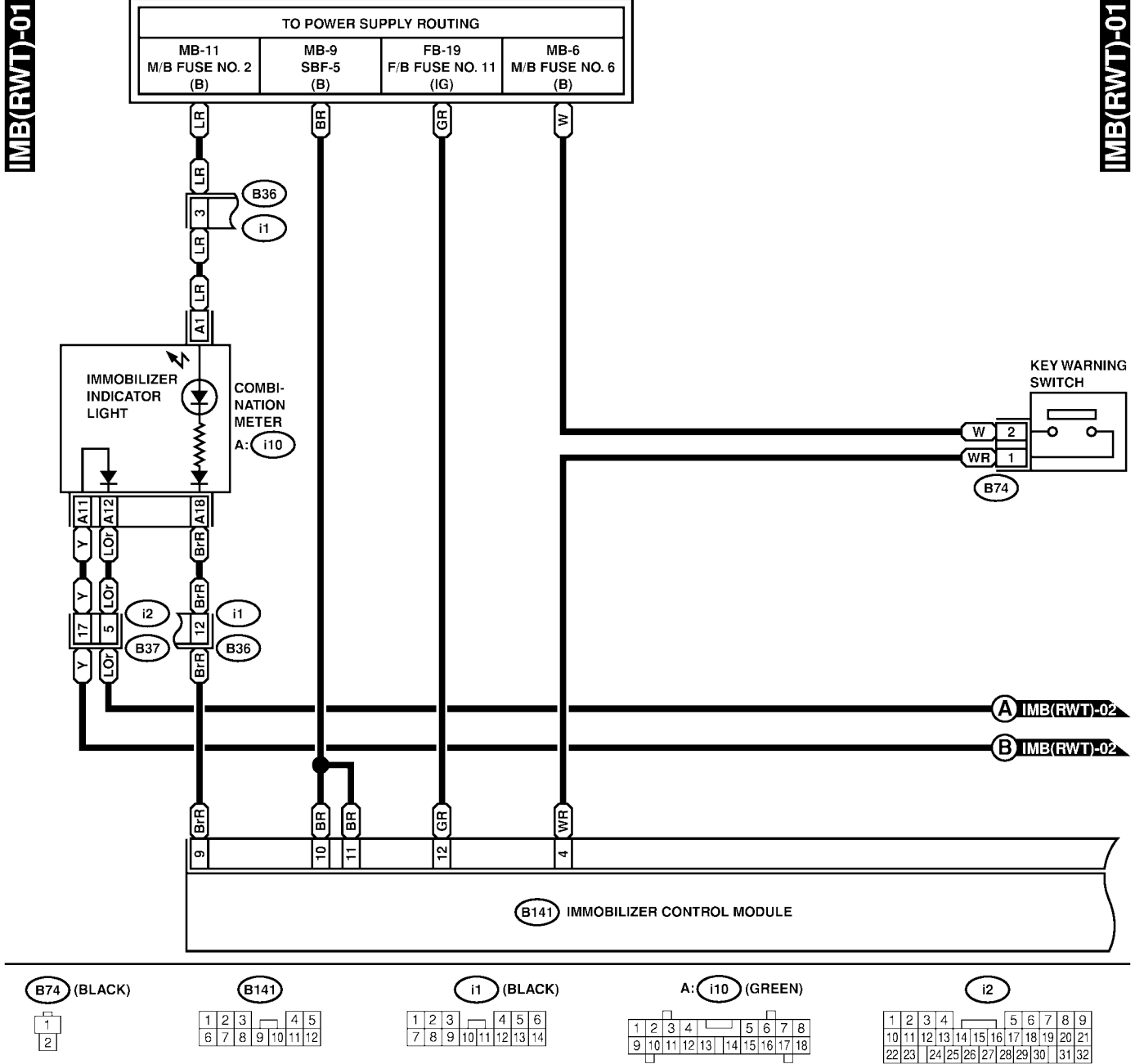
Wiring System



IMMOBILIZER SYSTEM

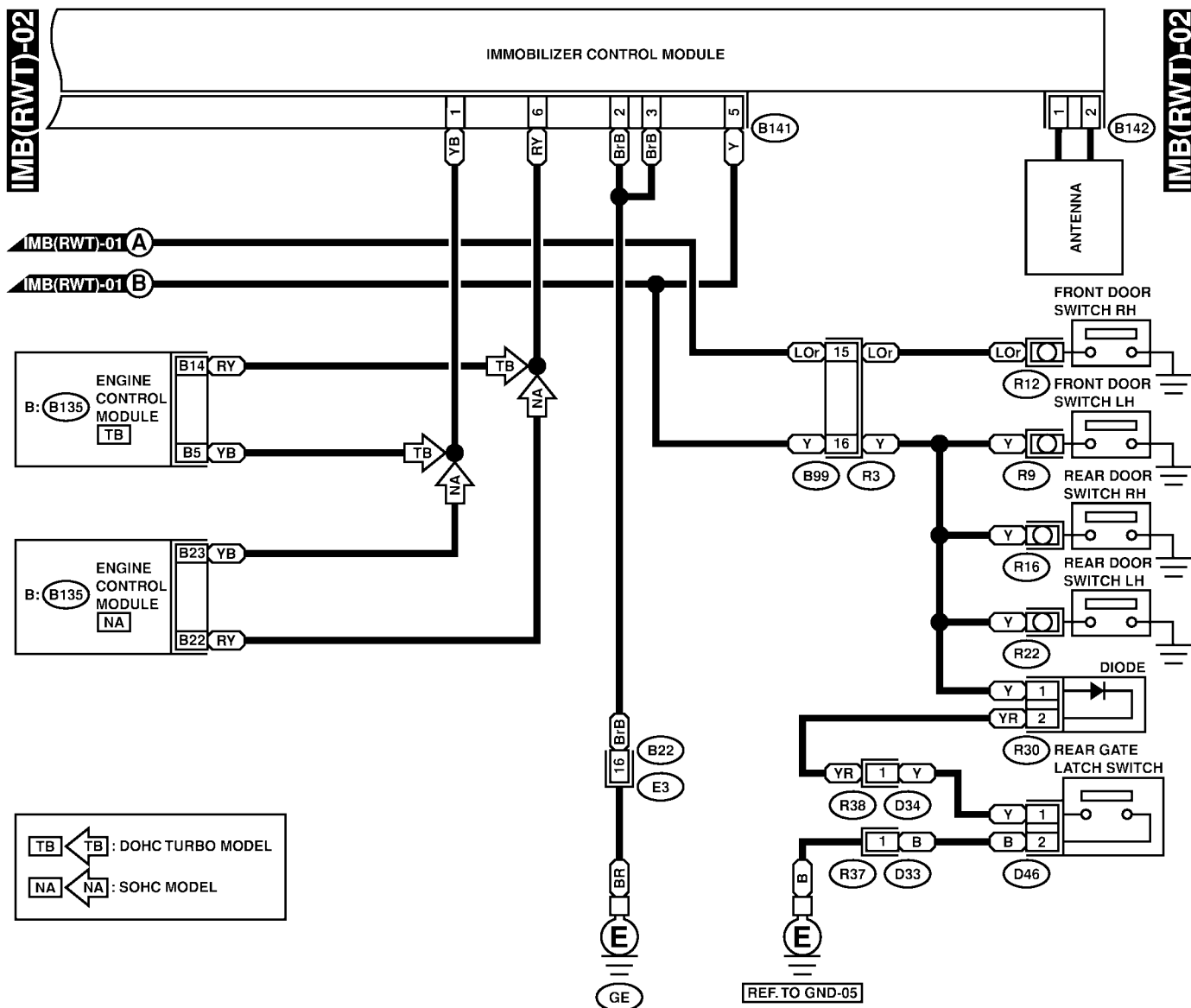
Wiring System

3. RHD MODEL WITH OBD S903346A2105



IMMOBILIZER SYSTEM

Wiring System



B142

D33

D46 (BLACK)

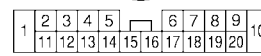
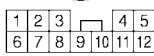
R30

D34

B141

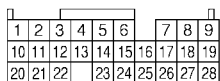
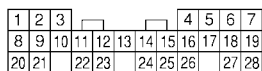
B22 (BROWN)

B99 (BLUE)



B: (B135): NA

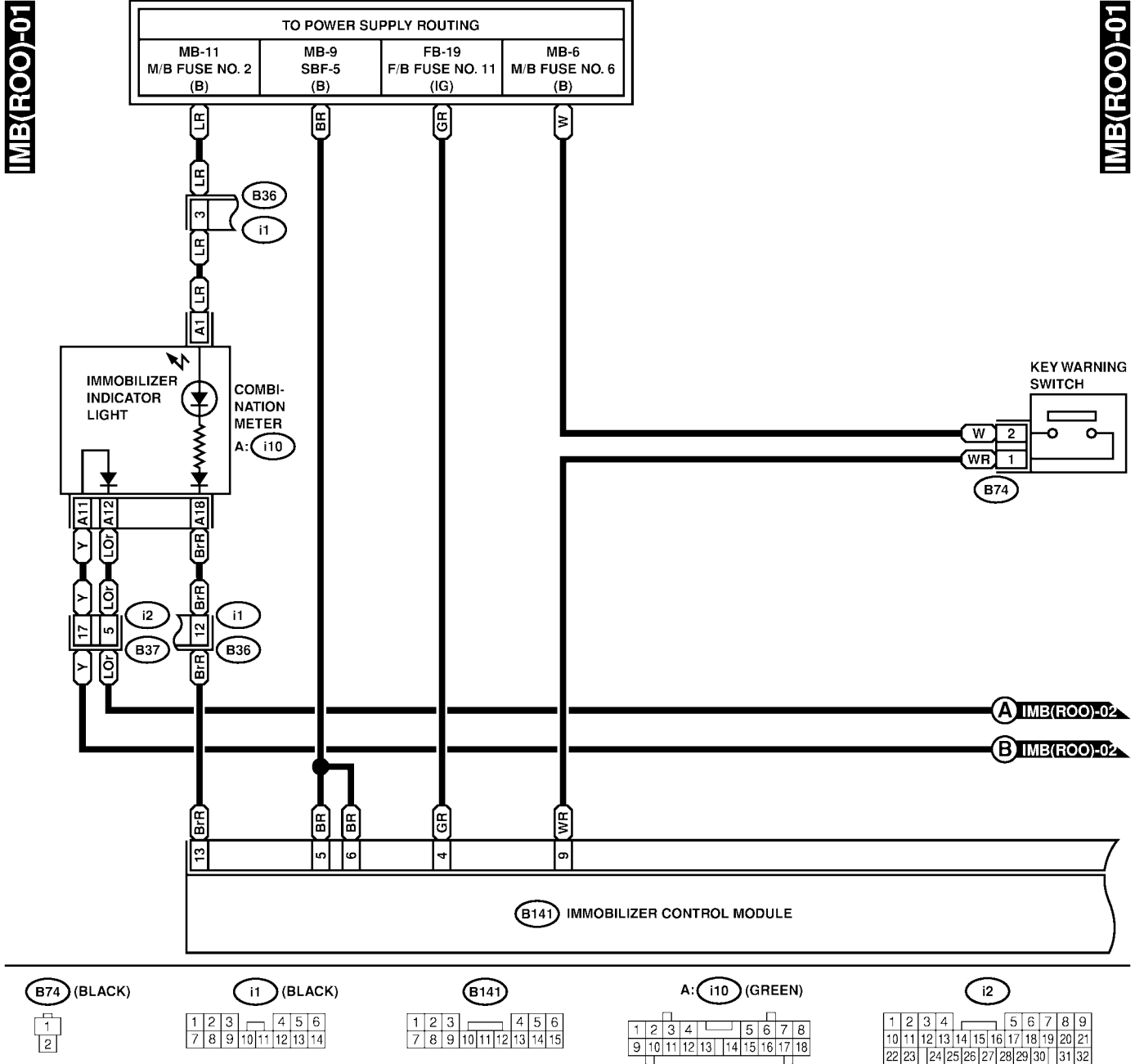
B: (B135): TB



IMMOBILIZER SYSTEM

Wiring System

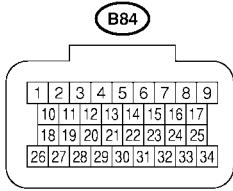
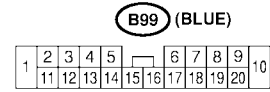
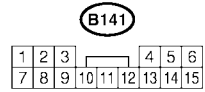
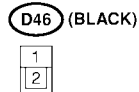
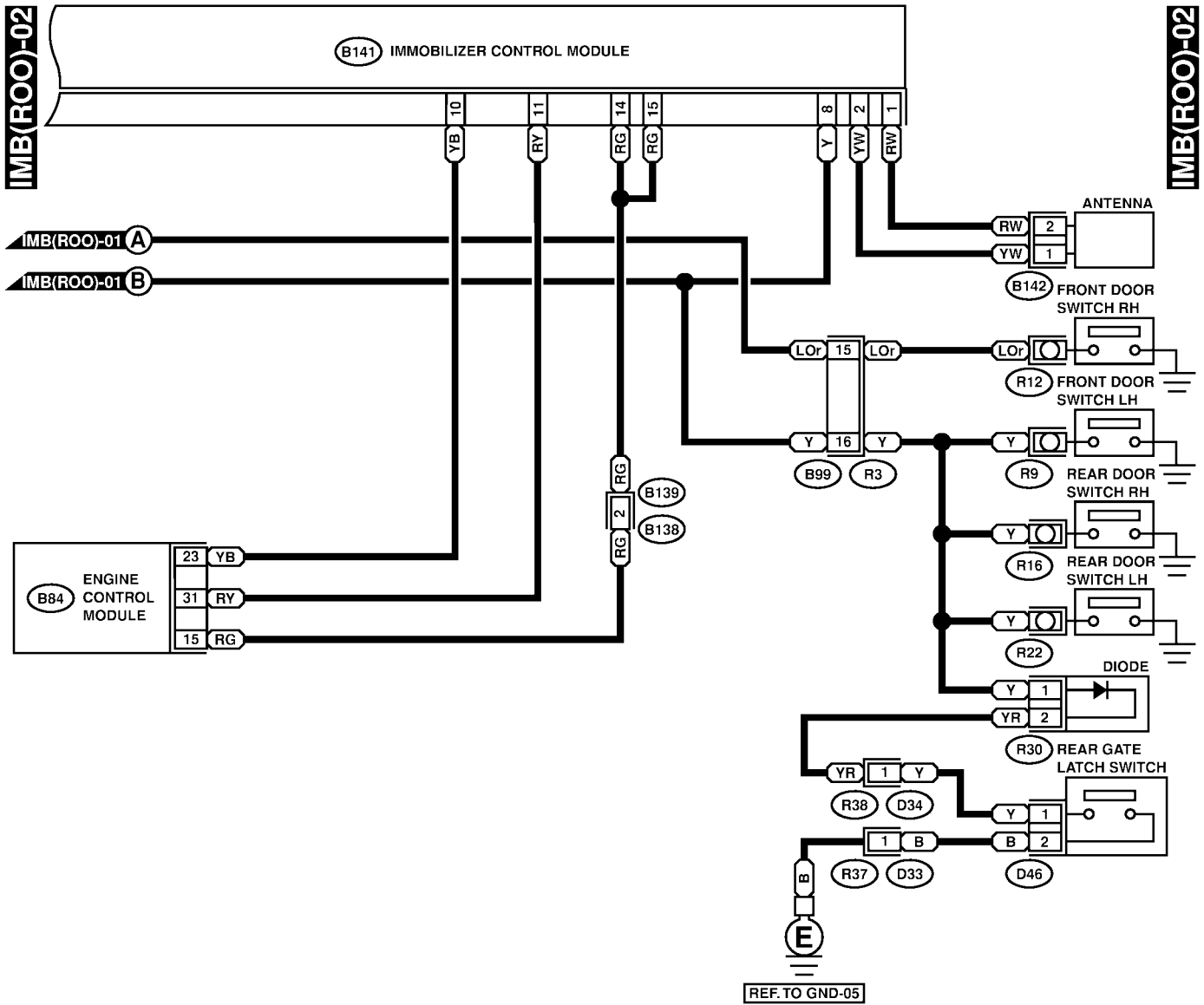
4. RHD NON-TURBO MODEL WITHOUT OBD S903346A2106



SR91-21A

IMMOBILIZER SYSTEM

Wiring System



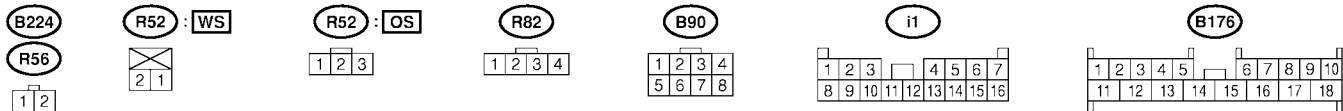
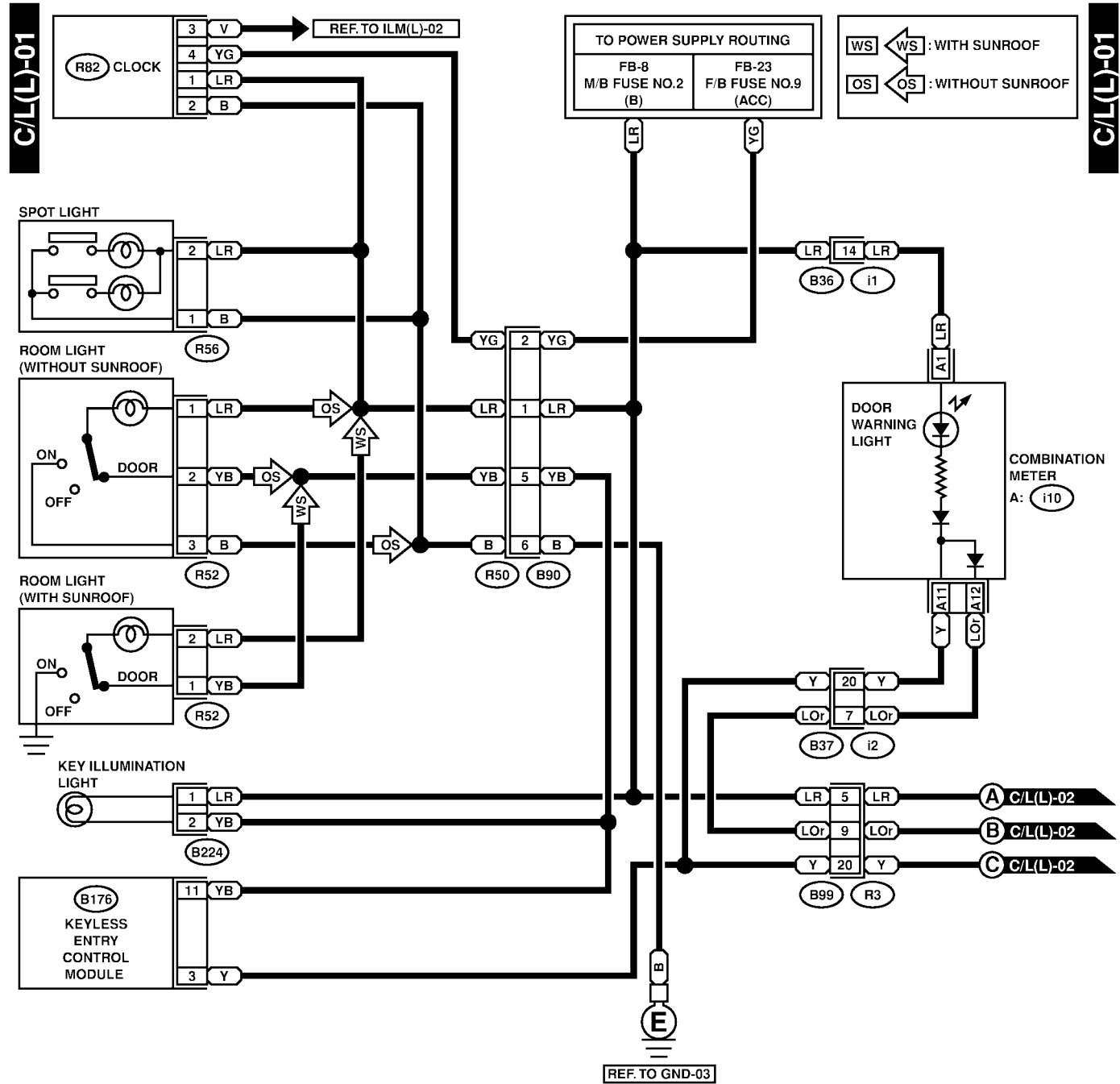
IN COMPARTMENT LIGHT SYSTEM

Wiring System

26. In Compartment Light System S903665

A: SCHEMATIC S903665A21

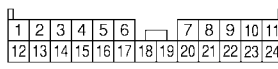
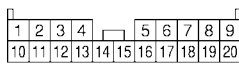
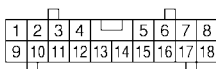
1. LHD MODEL S903665A2101



A: i10 (GREEN)

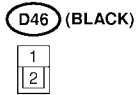
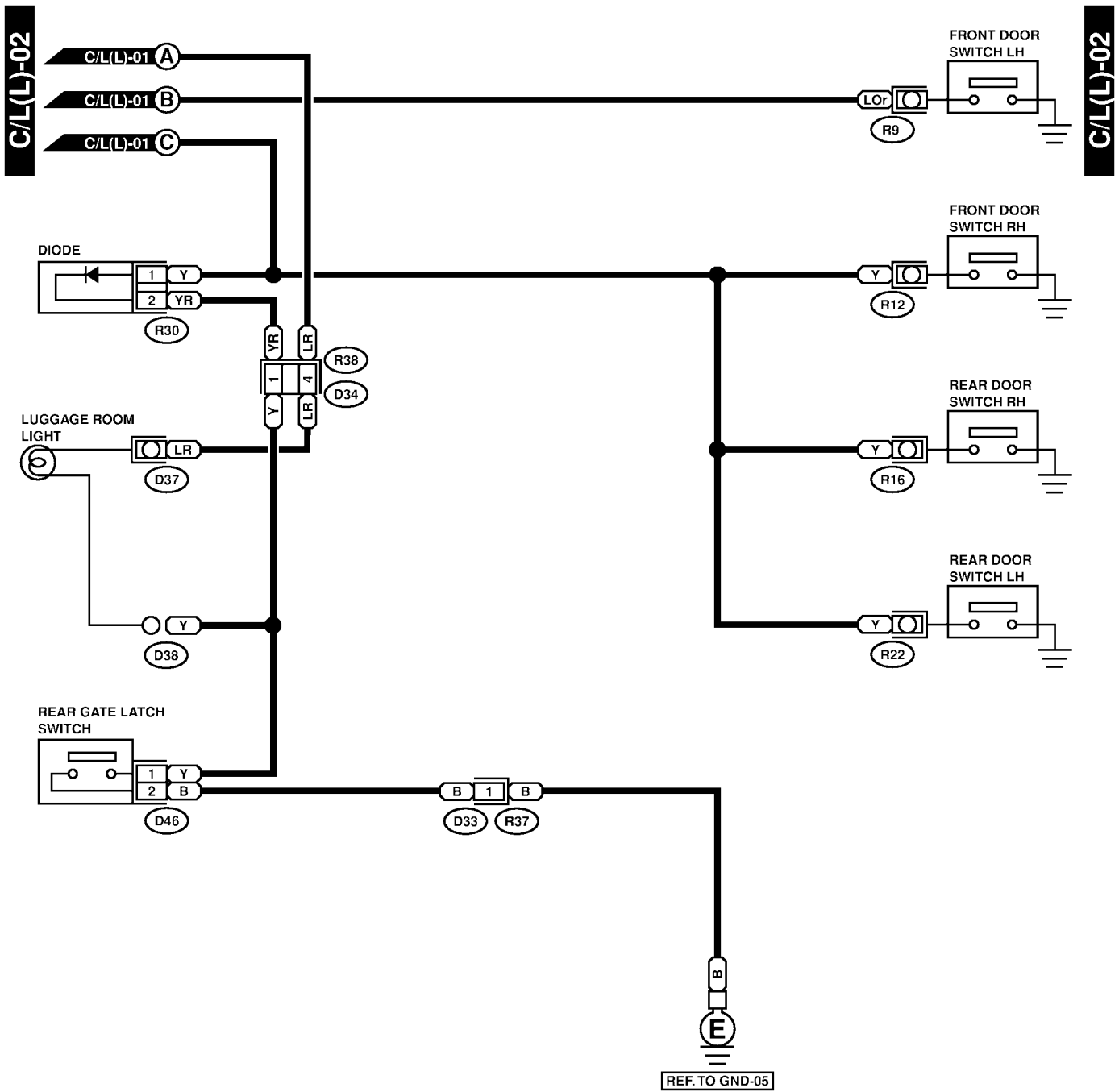
B99

i2 (BLACK)



IN COMPARTMENT LIGHT SYSTEM

Wiring System

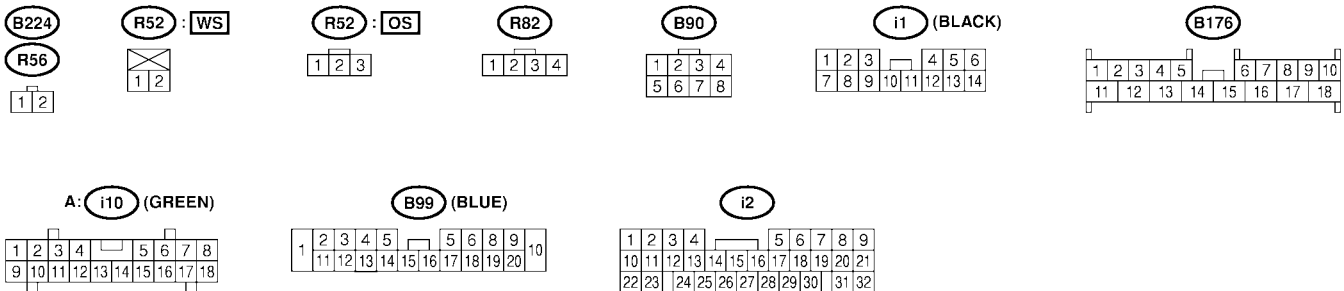
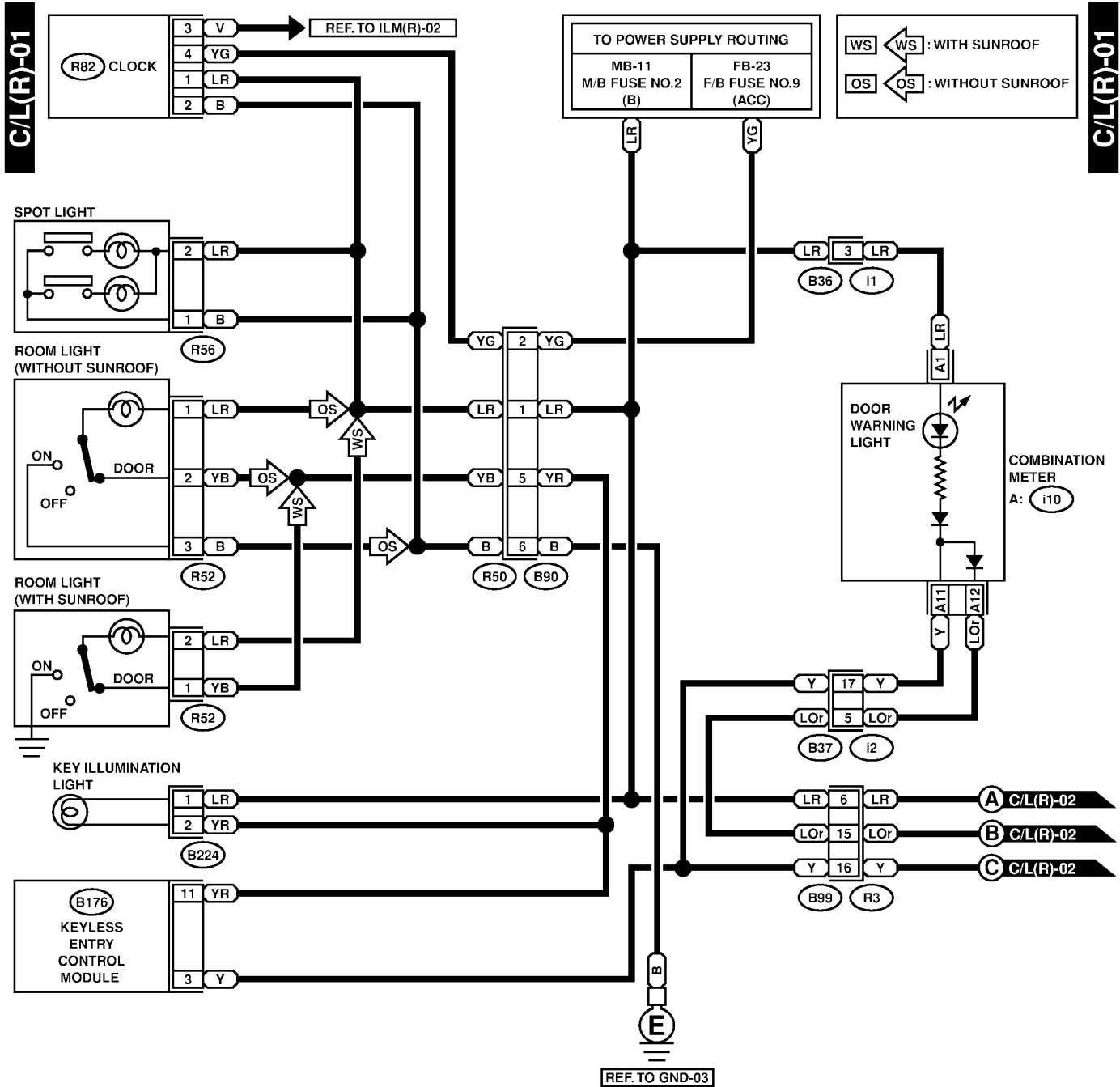


REF. TO GND-05

IN COMPARTMENT LIGHT SYSTEM

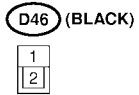
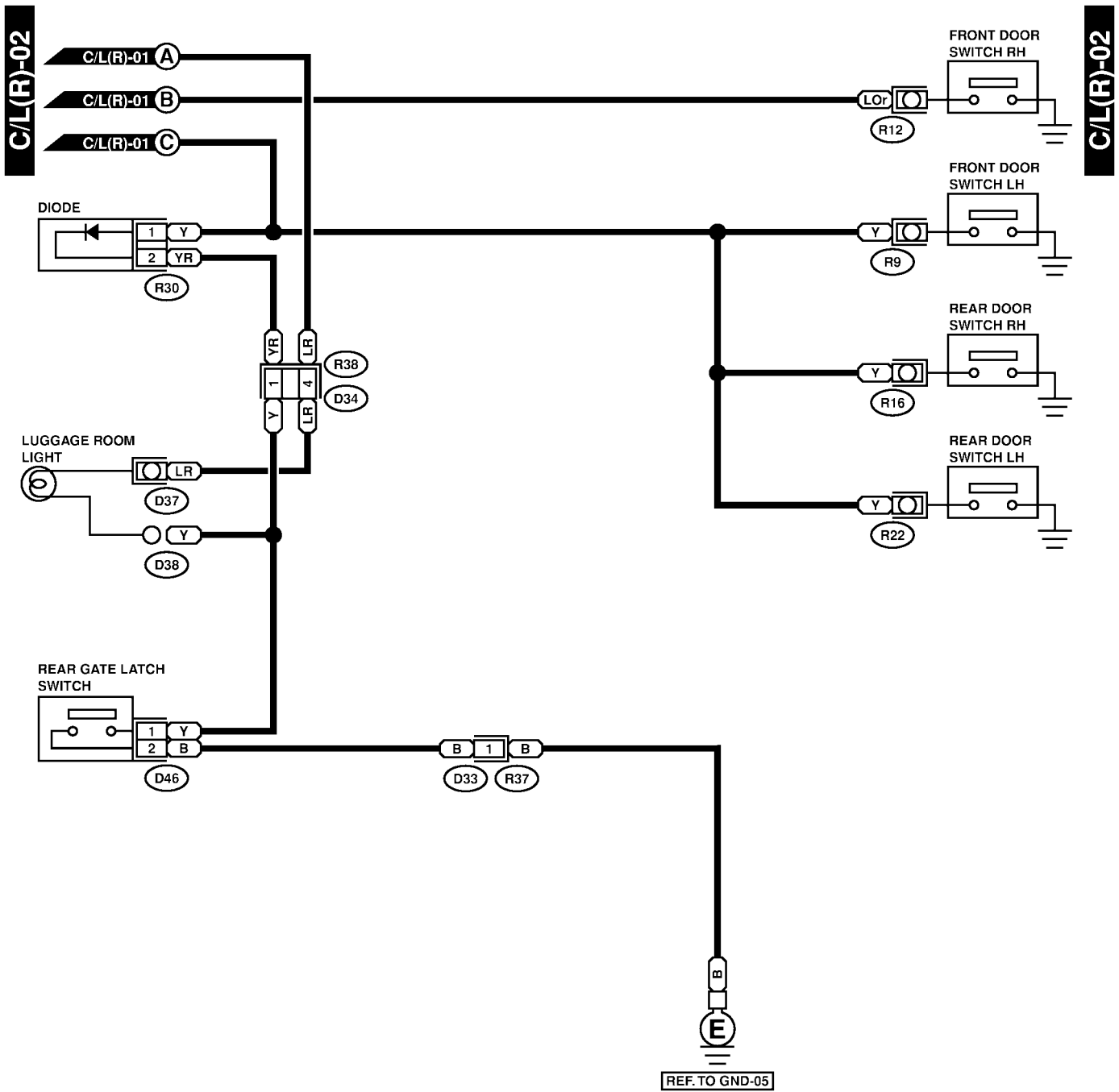
Wiring System

2. RHD MODEL S903665A2102



IN COMPARTMENT LIGHT SYSTEM

Wiring System



REF. TO GND-05

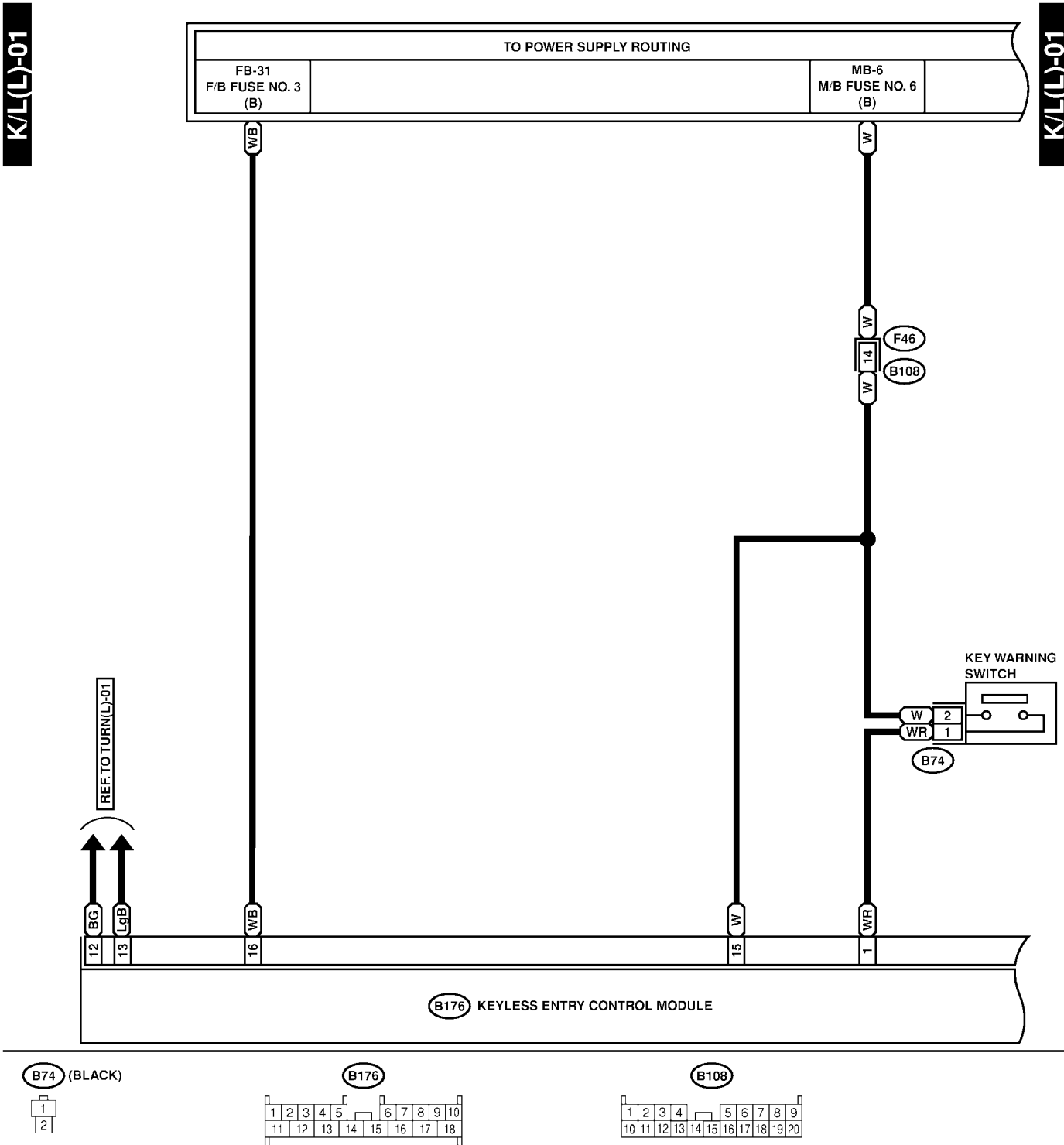
KEYLESS ENTRY SYSTEM

Wiring System

27. Keyless Entry System S903345

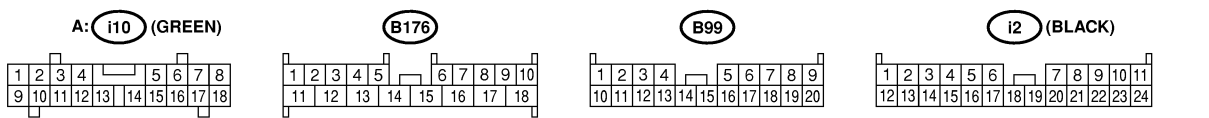
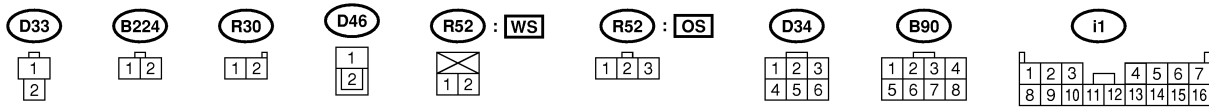
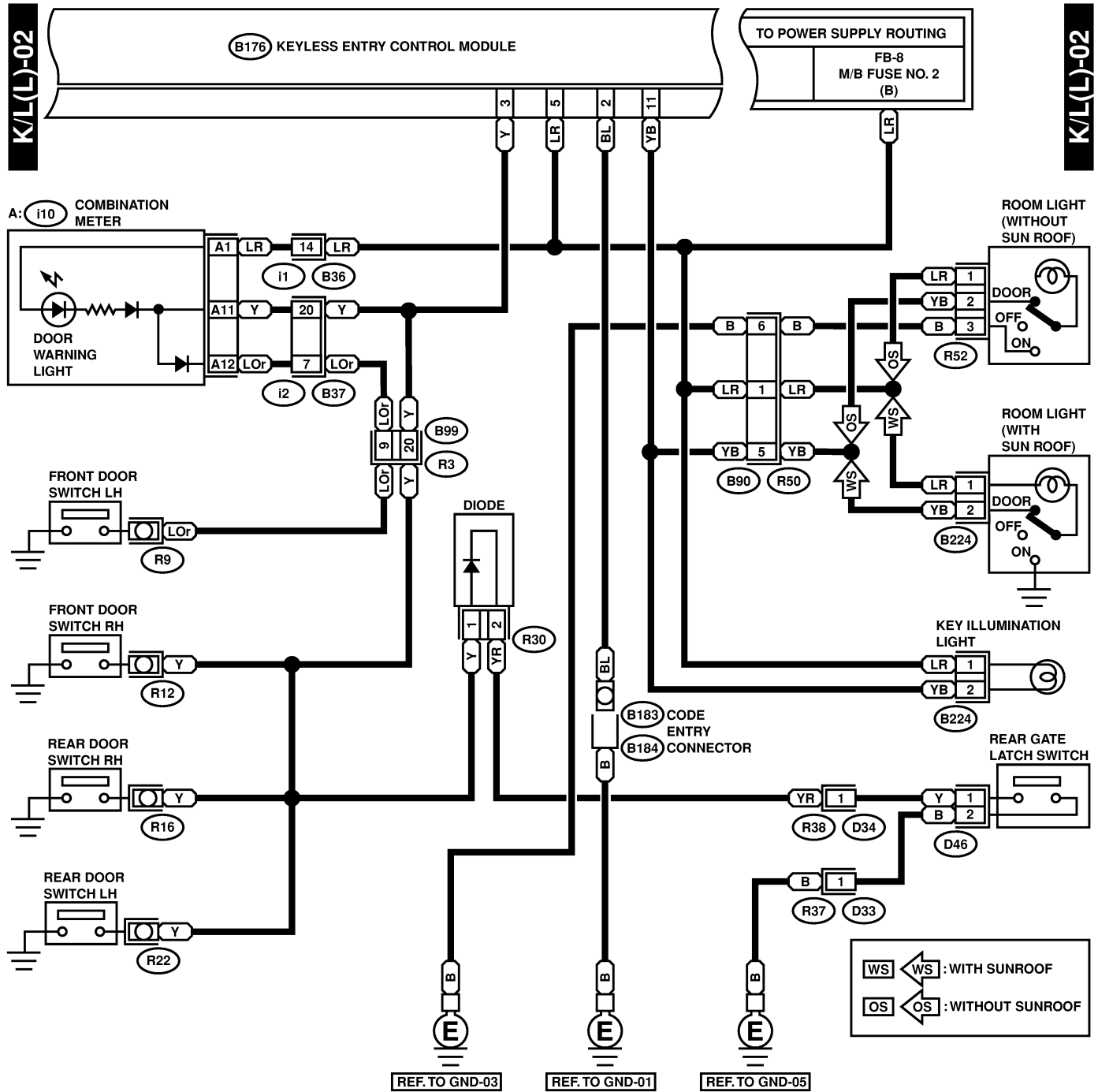
A: SCHEMATIC S903345A21

1. LHD MODEL S903345A2101



KEYLESS ENTRY SYSTEM

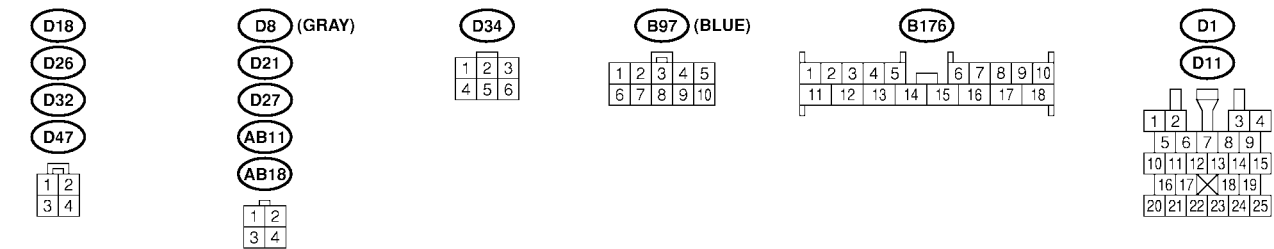
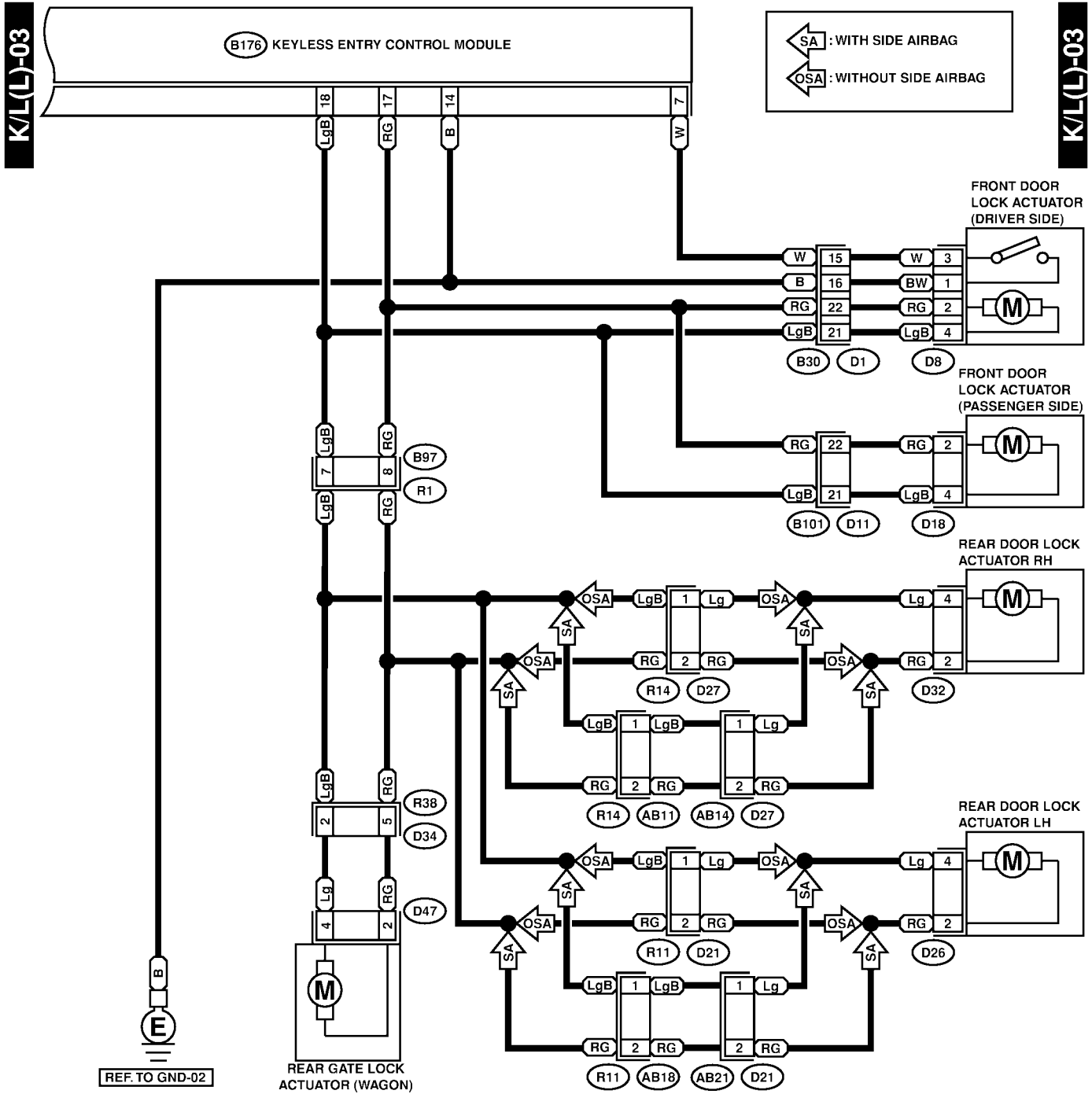
Wiring System



SL77-20B

KEYLESS ENTRY SYSTEM

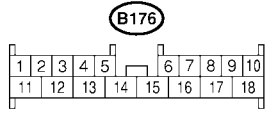
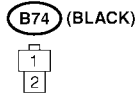
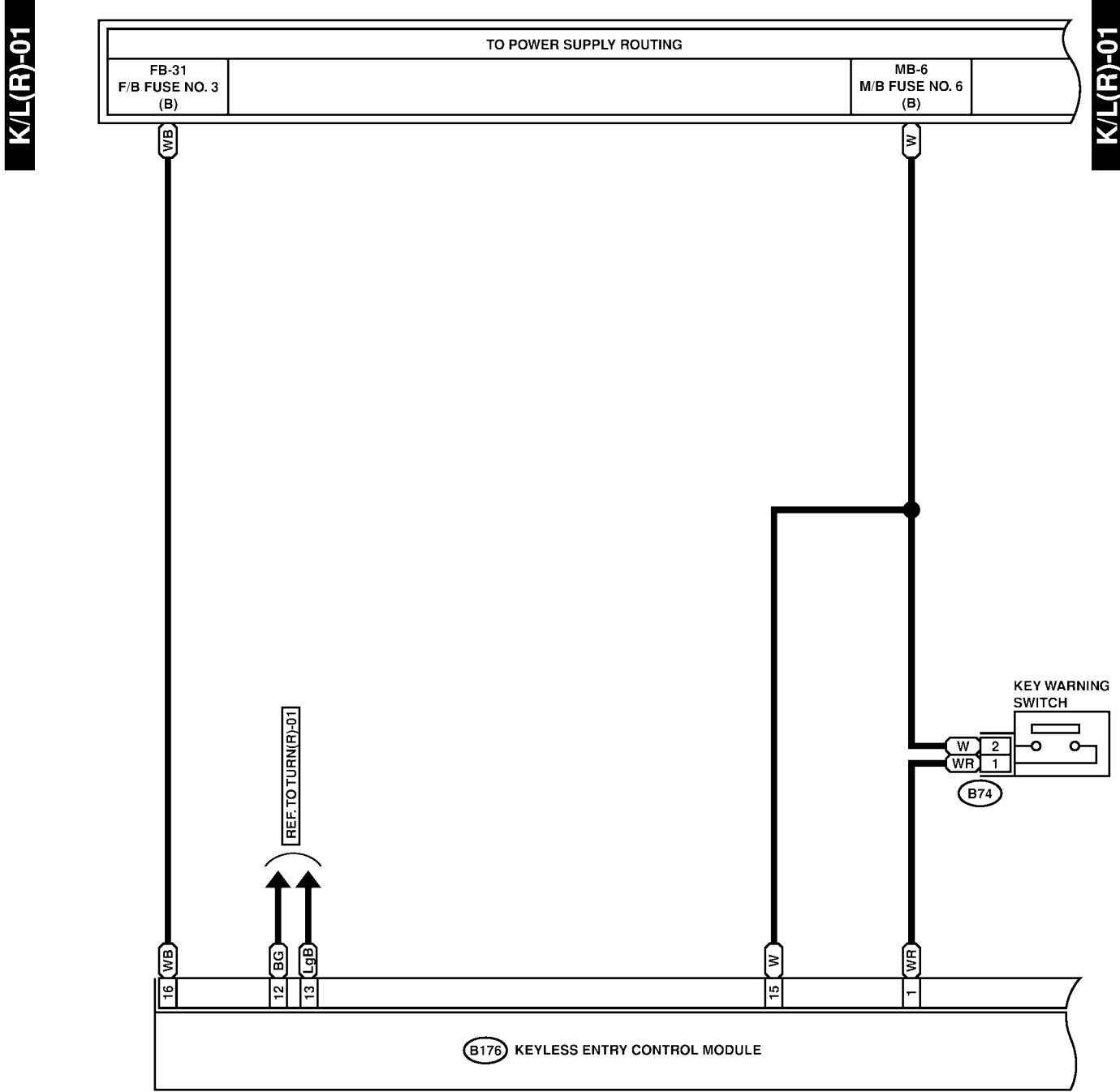
Wiring System



KEYLESS ENTRY SYSTEM

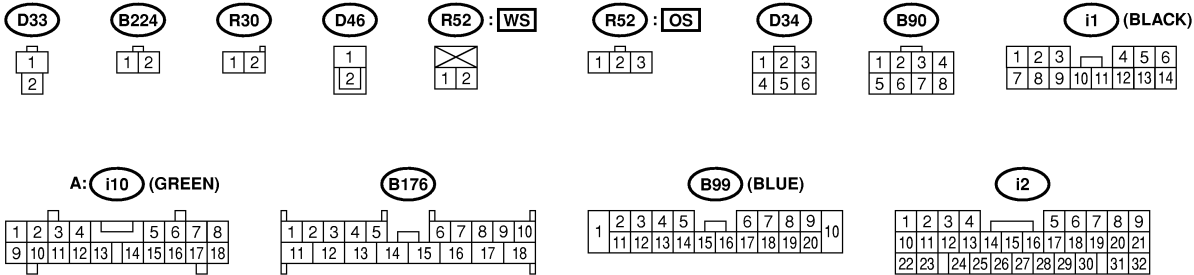
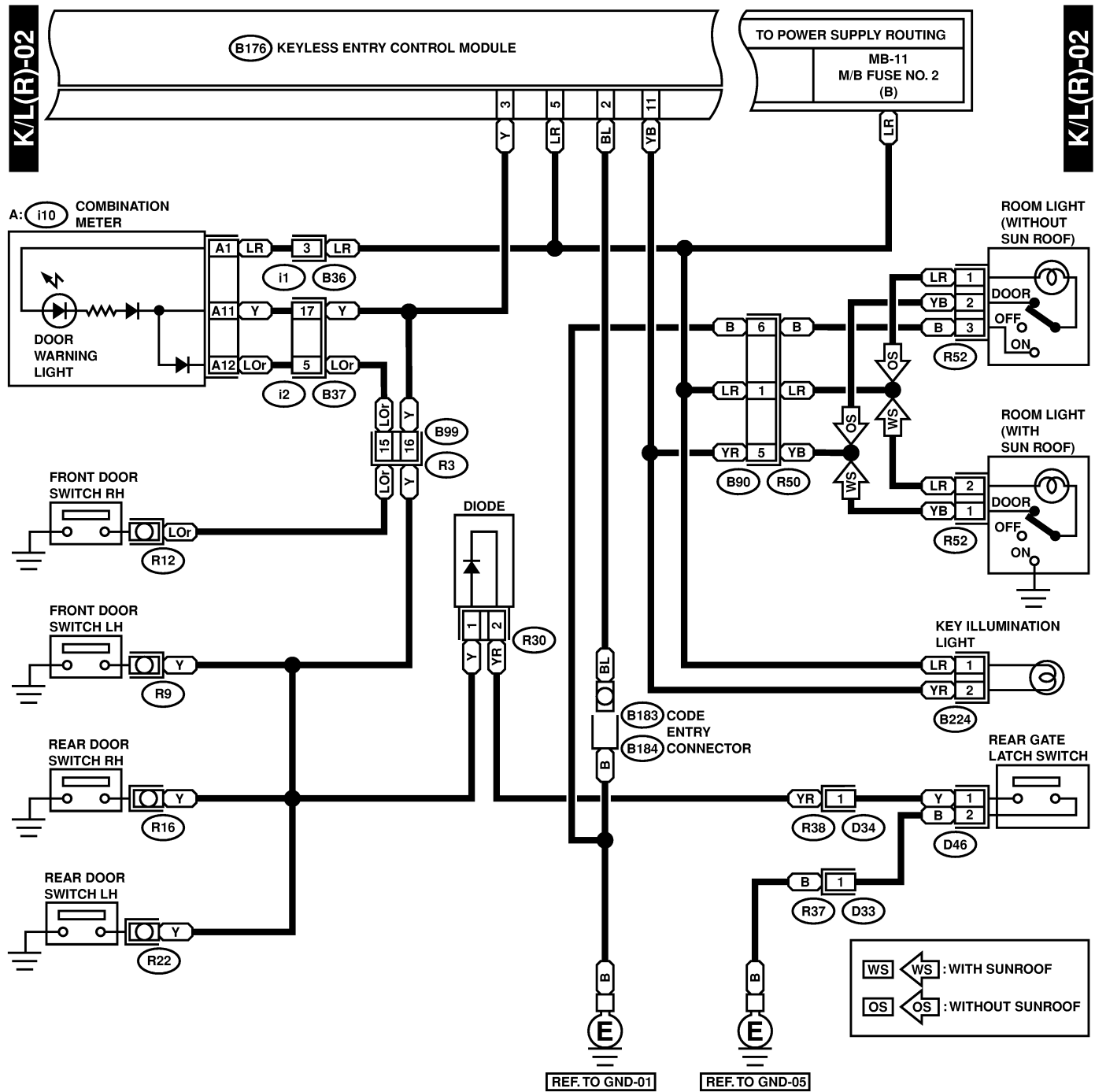
Wiring System

2. RHD MODEL S903345A2102



KEYLESS ENTRY SYSTEM

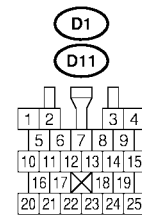
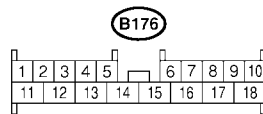
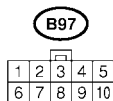
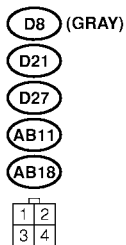
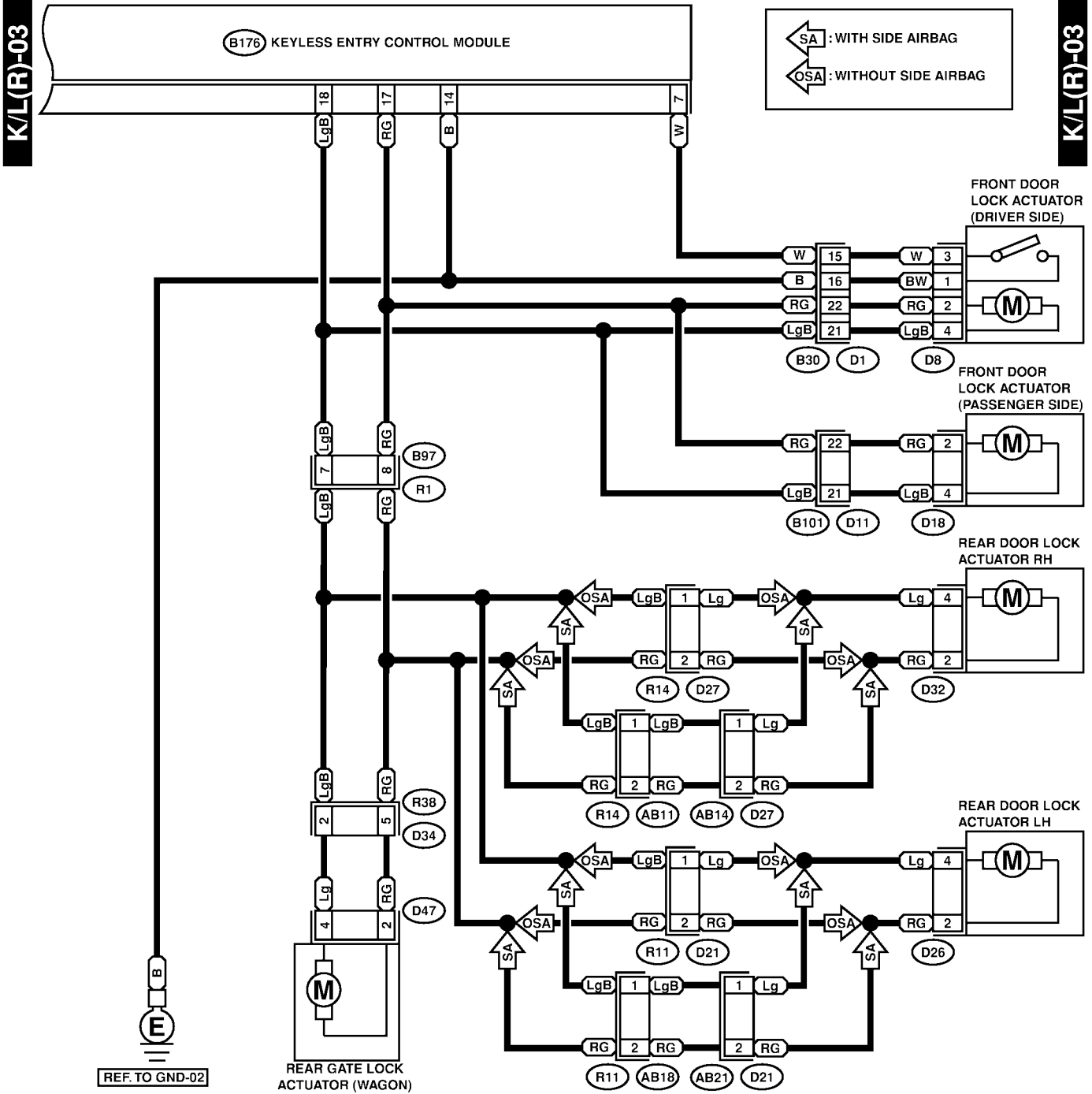
Wiring System



SR77-20B

KEYLESS ENTRY SYSTEM

Wiring System



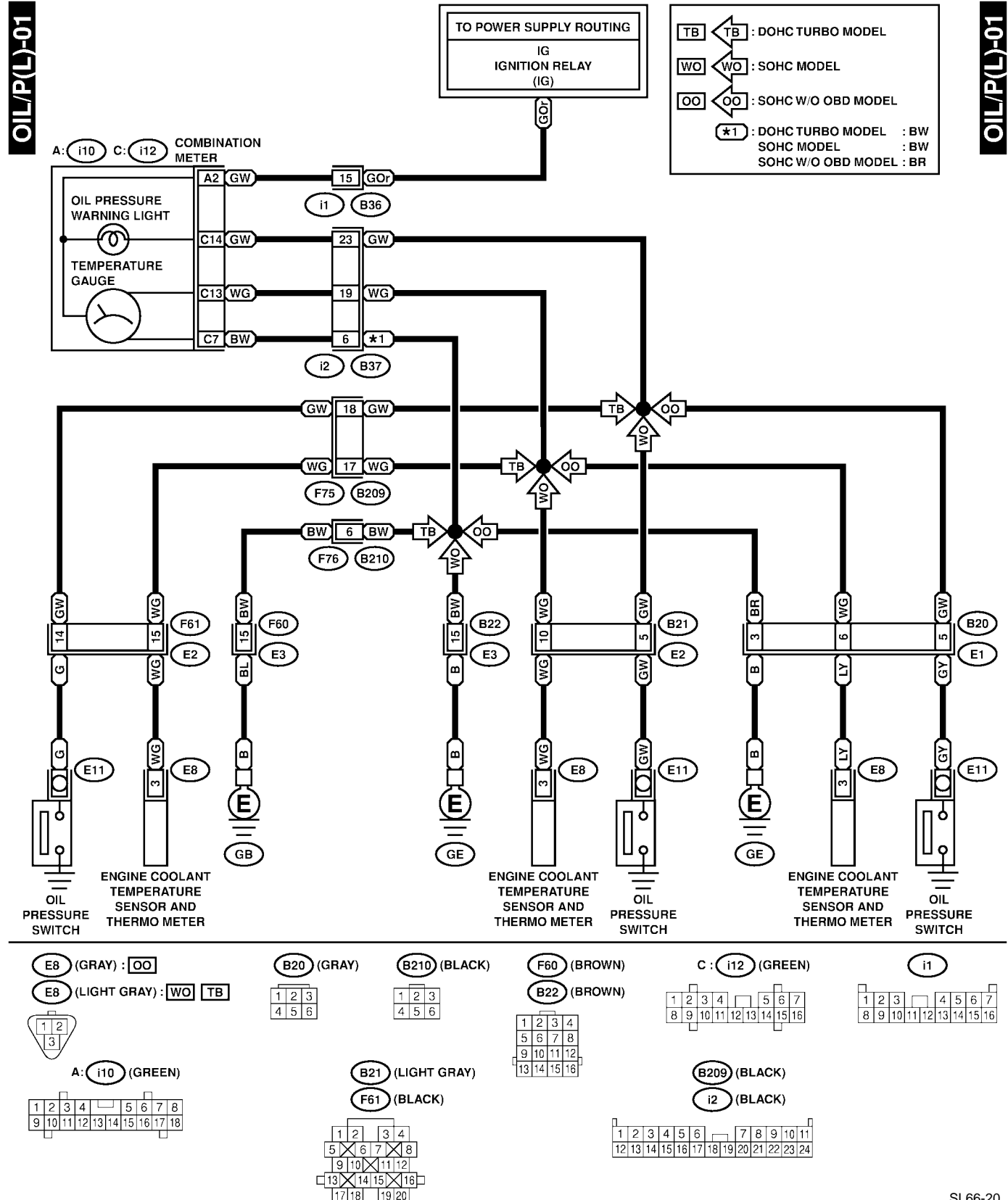
OIL PRESSURE AND TEMPERATURE GAUGE SYSTEM

Wiring System

28. Oil Pressure and Temperature Gauge System S903725

A: SCHEMATIC S903725A21

1. LHD MODEL S903725A2101



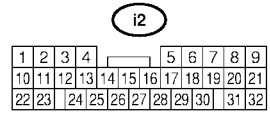
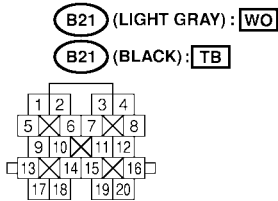
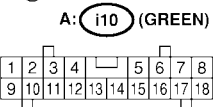
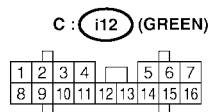
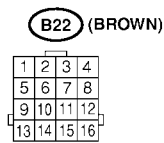
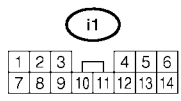
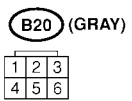
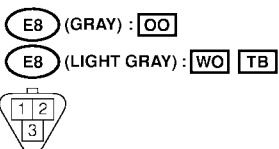
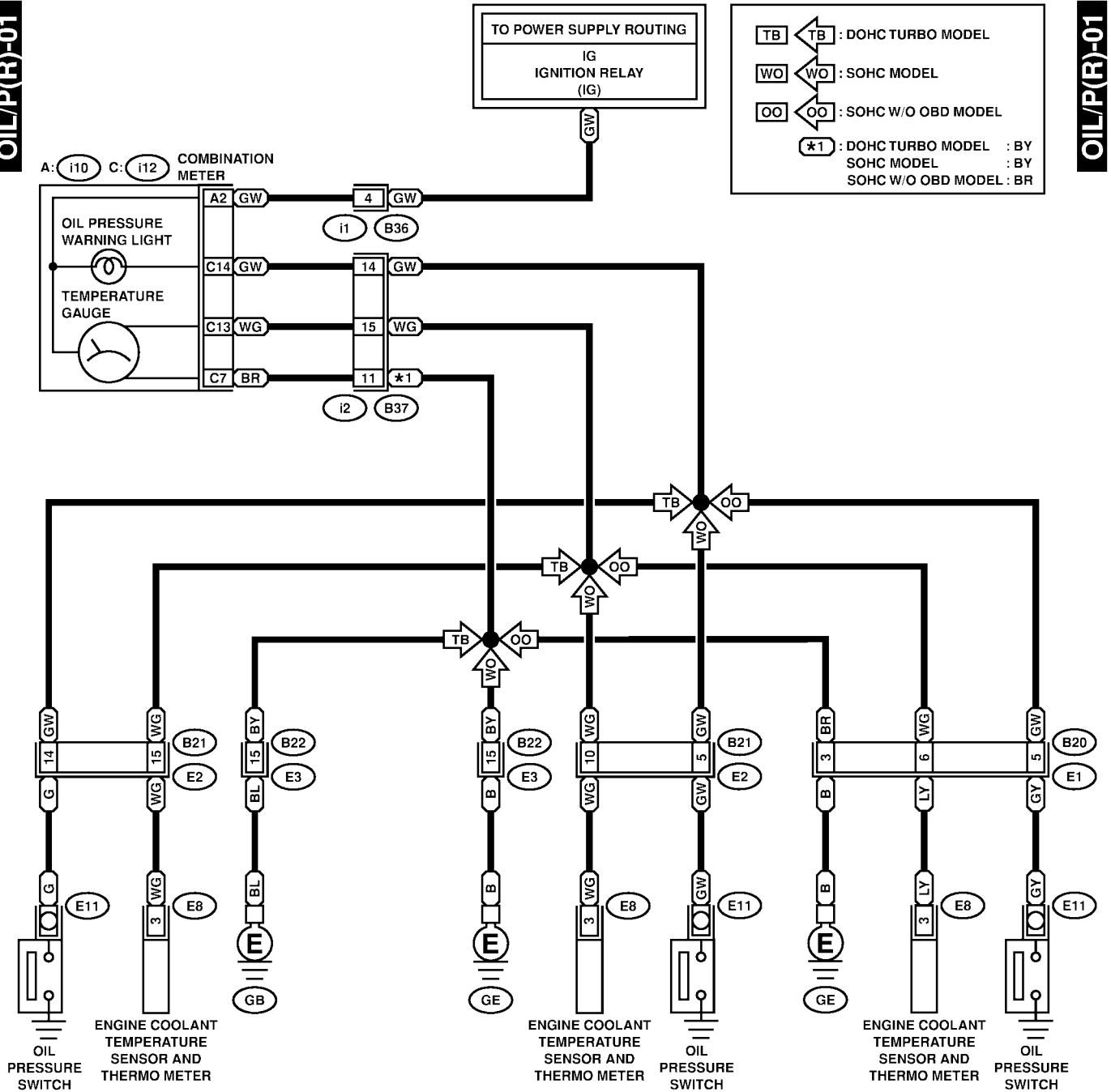
OIL PRESSURE AND TEMPERATURE GAUGE SYSTEM

Wiring System

2. RHD MODEL S903725A2102

OIL/P(R)-01

OIL/P(R)-01



OUTSIDE TEMPERATURE DISPLAY SYSTEM

Wiring System

29. Outside Temperature Display System

S903668

A: SCHEMATIC

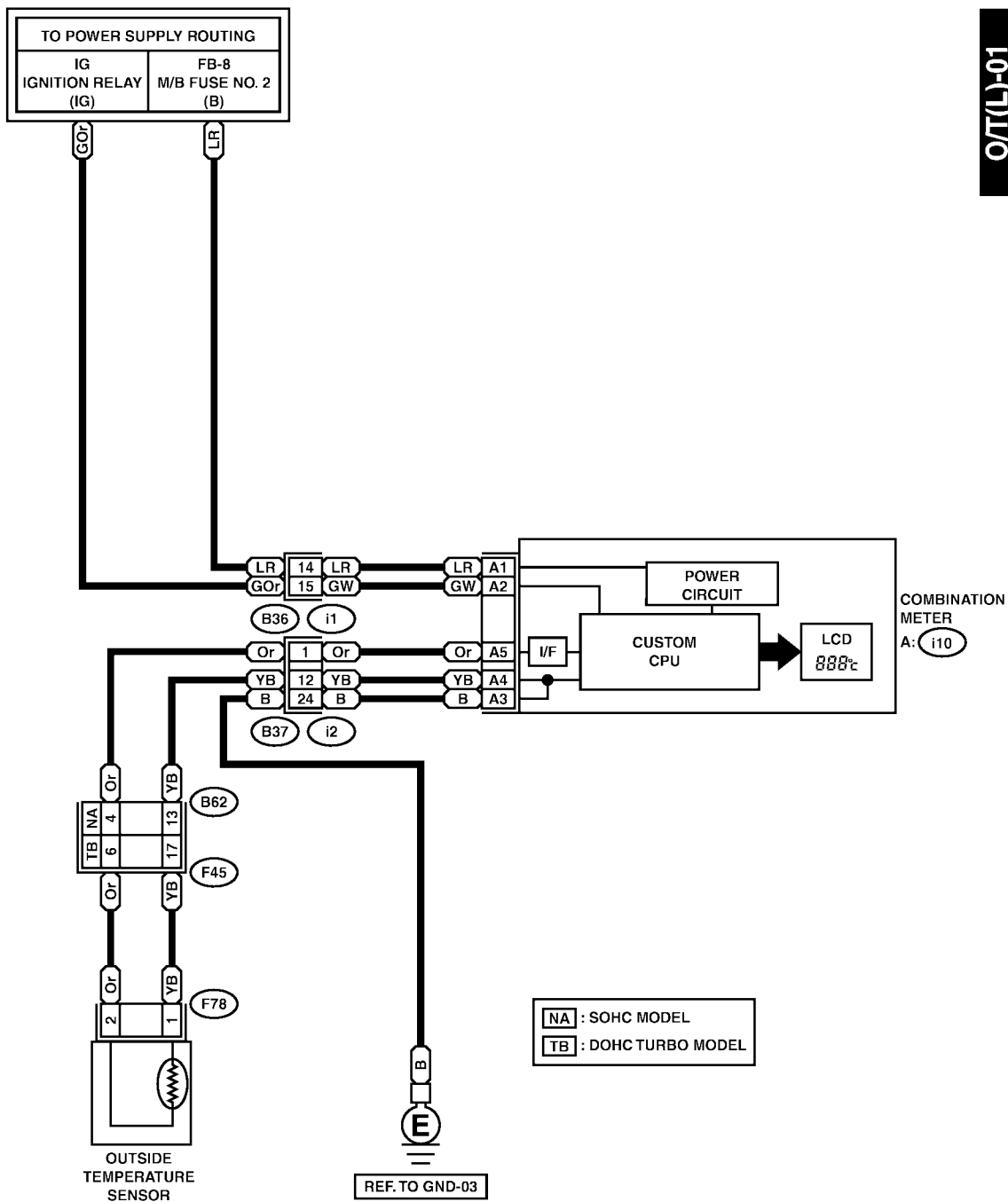
S903668A21

1. LHD MODEL

S903668A2191

O/T(L)-01

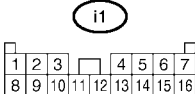
O/T(L)-01



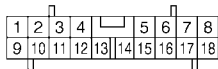
F78 (BLACK)



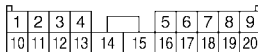
B62 : [NA]



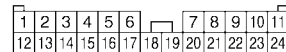
A : i10 (GREEN)



B62 : [TB]



i2 (BLACK)



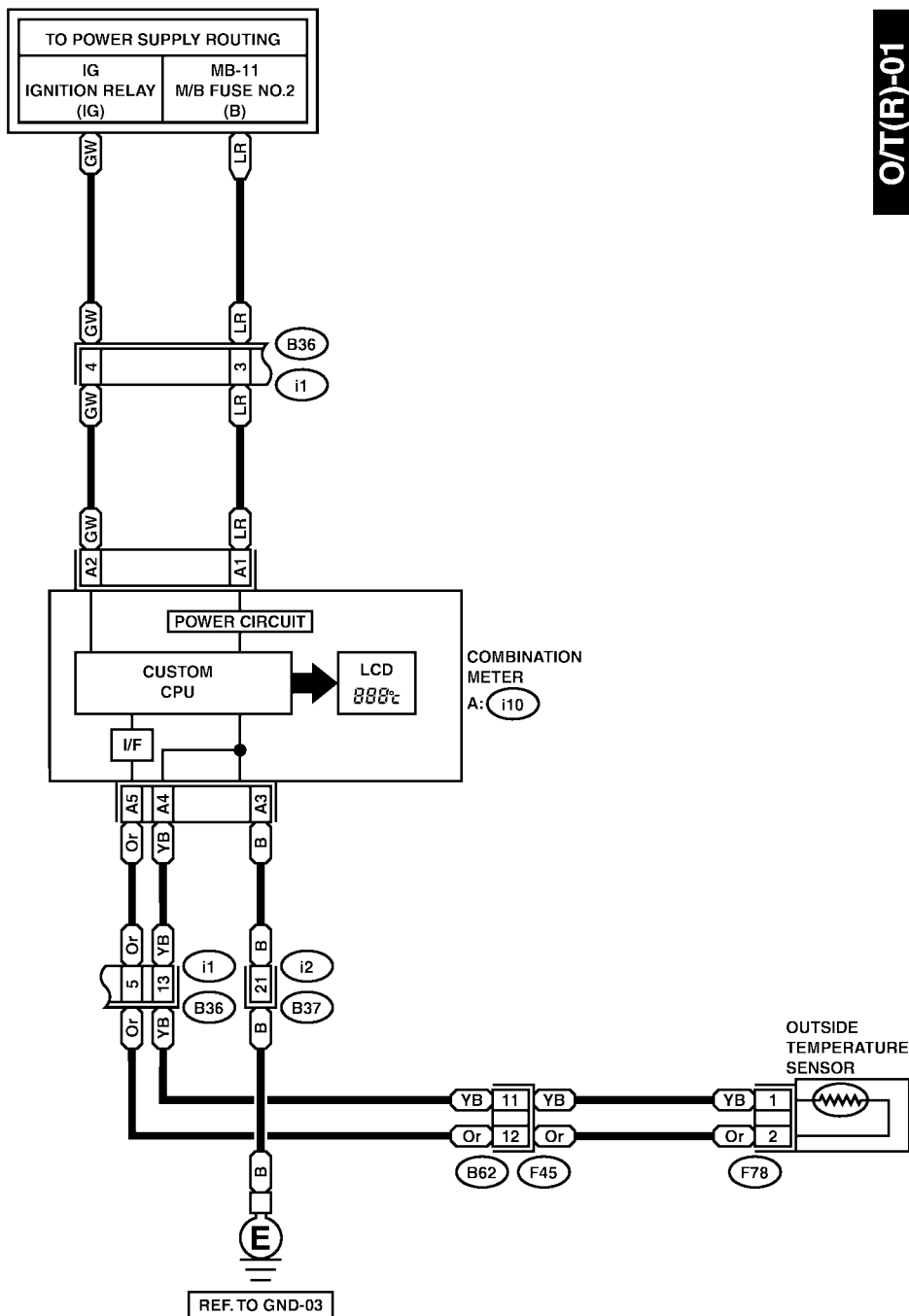
OUTSIDE TEMPERATURE DISPLAY SYSTEM

Wiring System

2. RHD MODEL S903668A2102

O/T(R)-01

O/T(R)-01



F78 (BLACK)

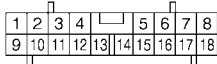


F45

i1 (BLACK)



A : i10 (GREEN)



i2



PARKING BRAKE AND BRAKE FLUID LEVEL WARNING SYSTEM

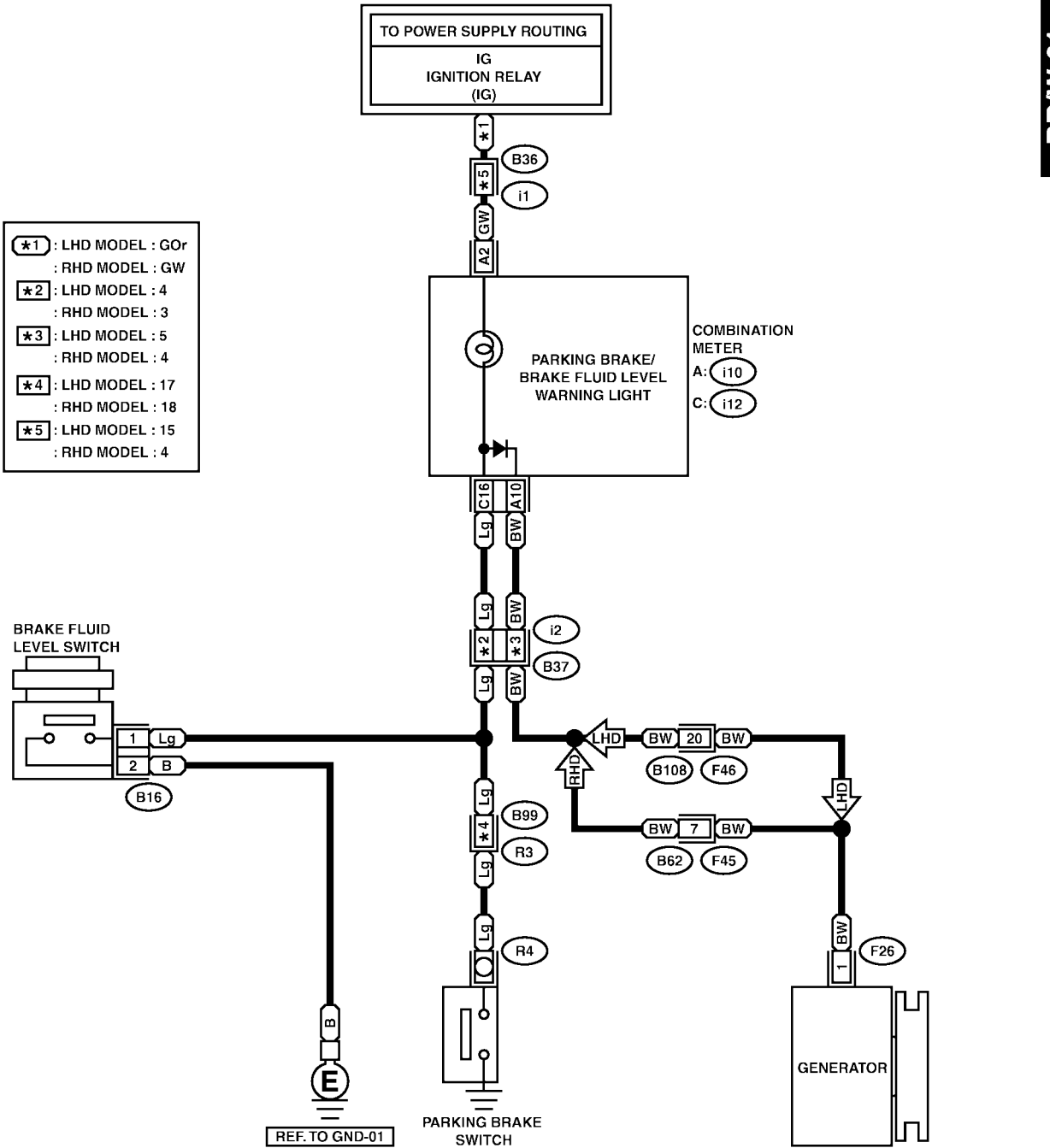
Wiring System

30. Parking Brake and Brake Fluid Level Warning System S903478

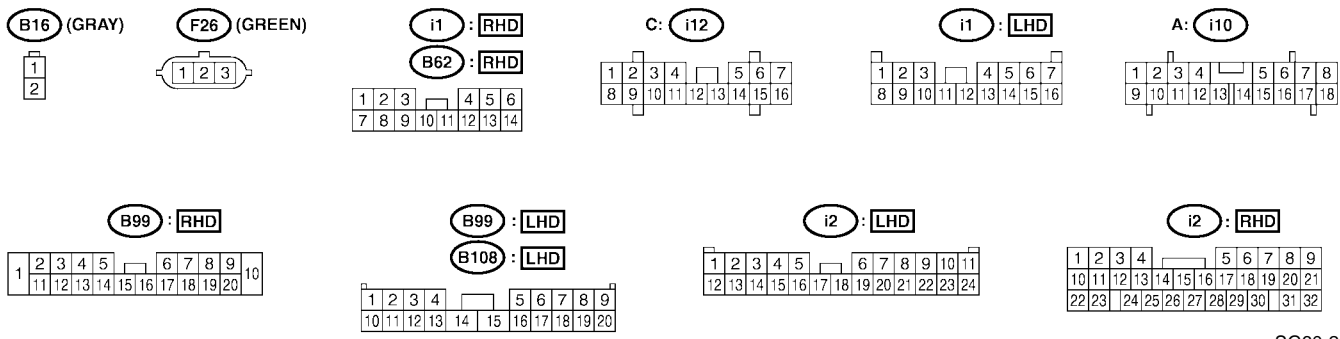
A: SCHEMATIC S903478A21

BR/W-01

BR/W-01



- *1** : LHD MODEL : GOr
: RHD MODEL : GW
- *2** : LHD MODEL : 4
: RHD MODEL : 3
- *3** : LHD MODEL : 5
: RHD MODEL : 4
- *4** : LHD MODEL : 17
: RHD MODEL : 18
- *5** : LHD MODEL : 15
: RHD MODEL : 4



PARKING BRAKE AND BRAKE FLUID LEVEL WARNING SYSTEM

Wiring System

MEMO:

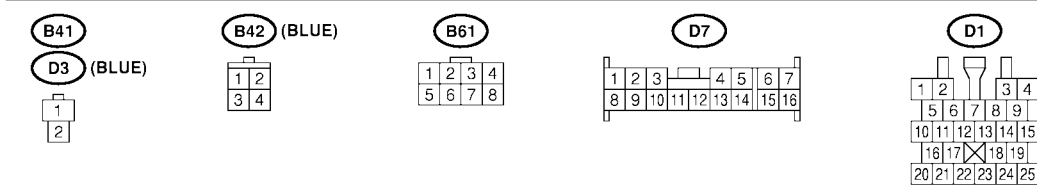
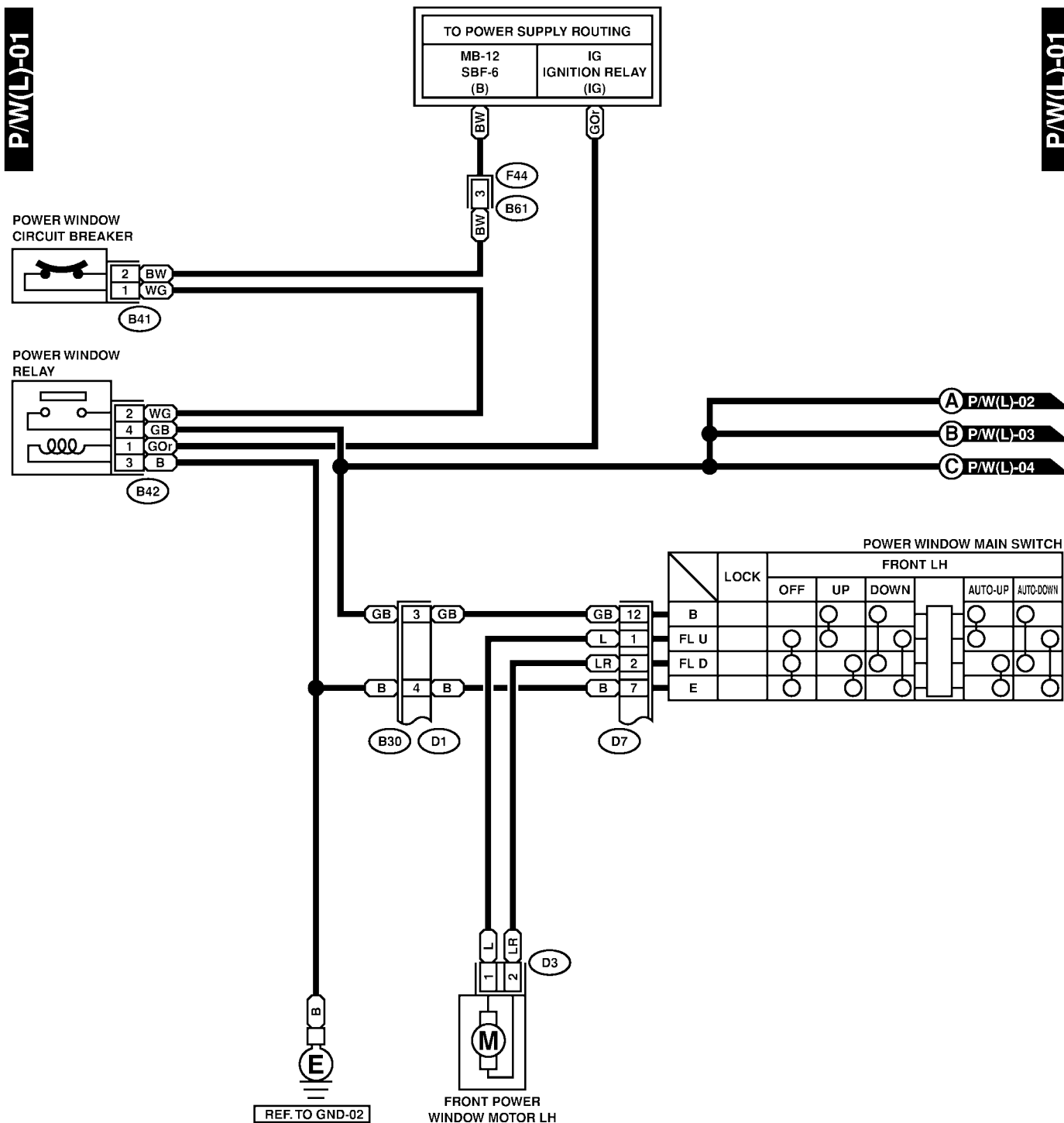
POWER WINDOW SYSTEM

Wiring System

31. Power Window System S903456

A: SCHEMATIC S903456A21

1. LHD MODEL S903456A2101

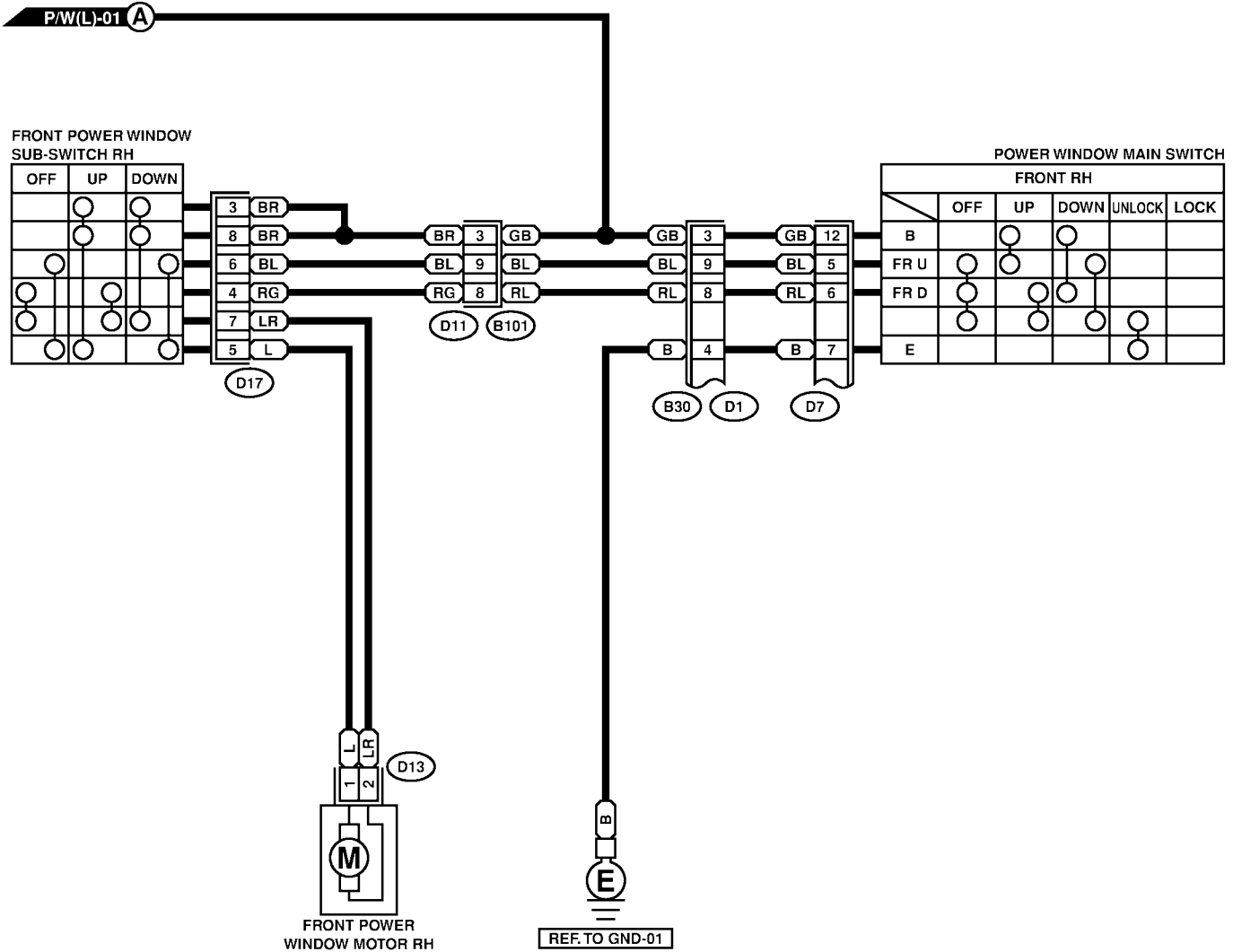


POWER WINDOW SYSTEM

Wiring System

P/W(L)-02

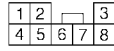
P/W(L)-02



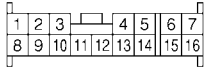
D13 (BLUE)



D17

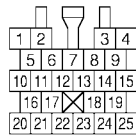


D7



D1

D11

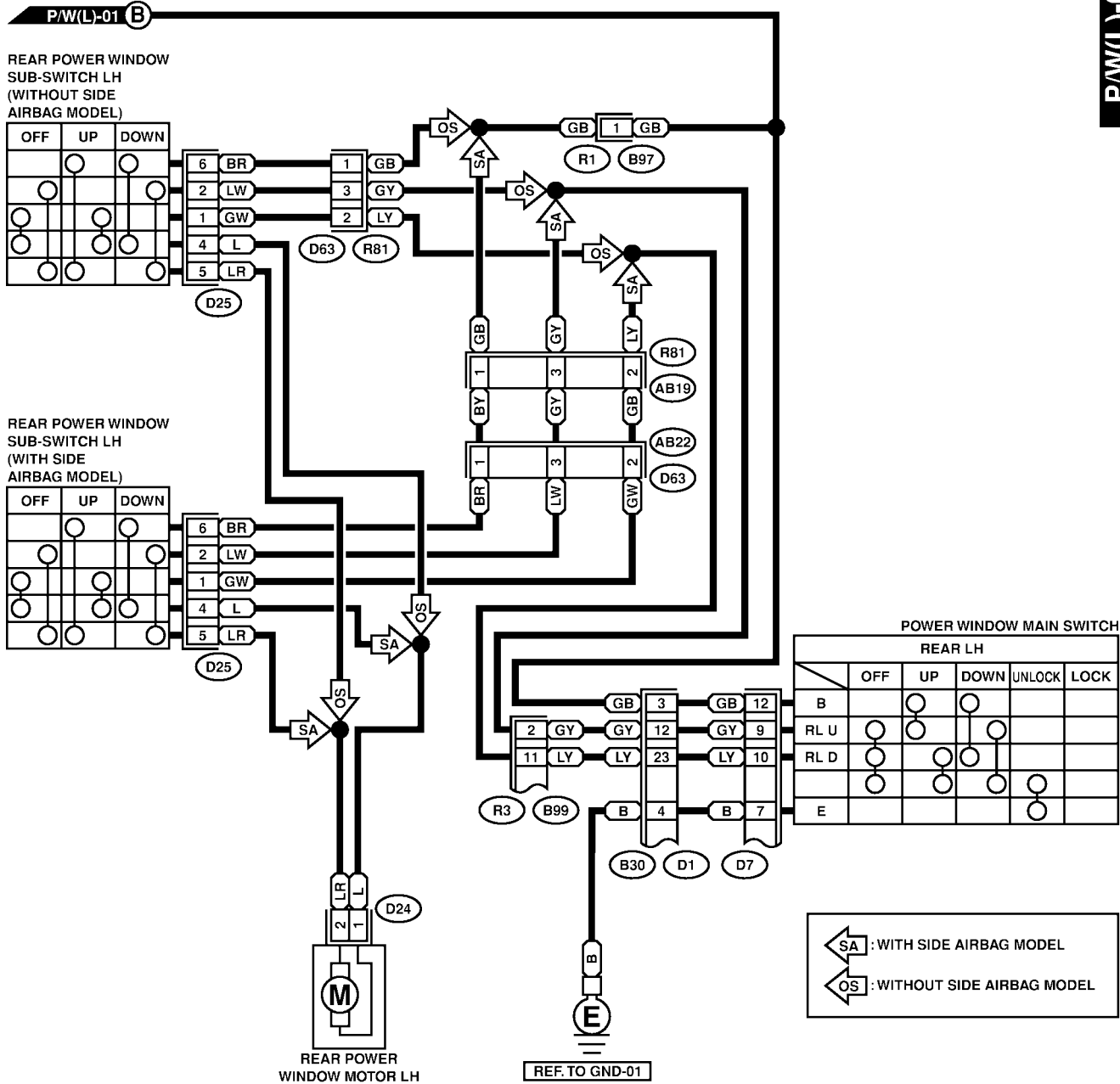


POWER WINDOW SYSTEM

Wiring System

P/W(L)-03

P/W(L)-03



D24 (BLUE)



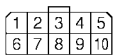
D63



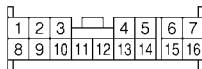
D25



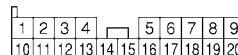
B97



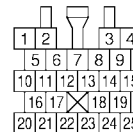
D7



B99



D1

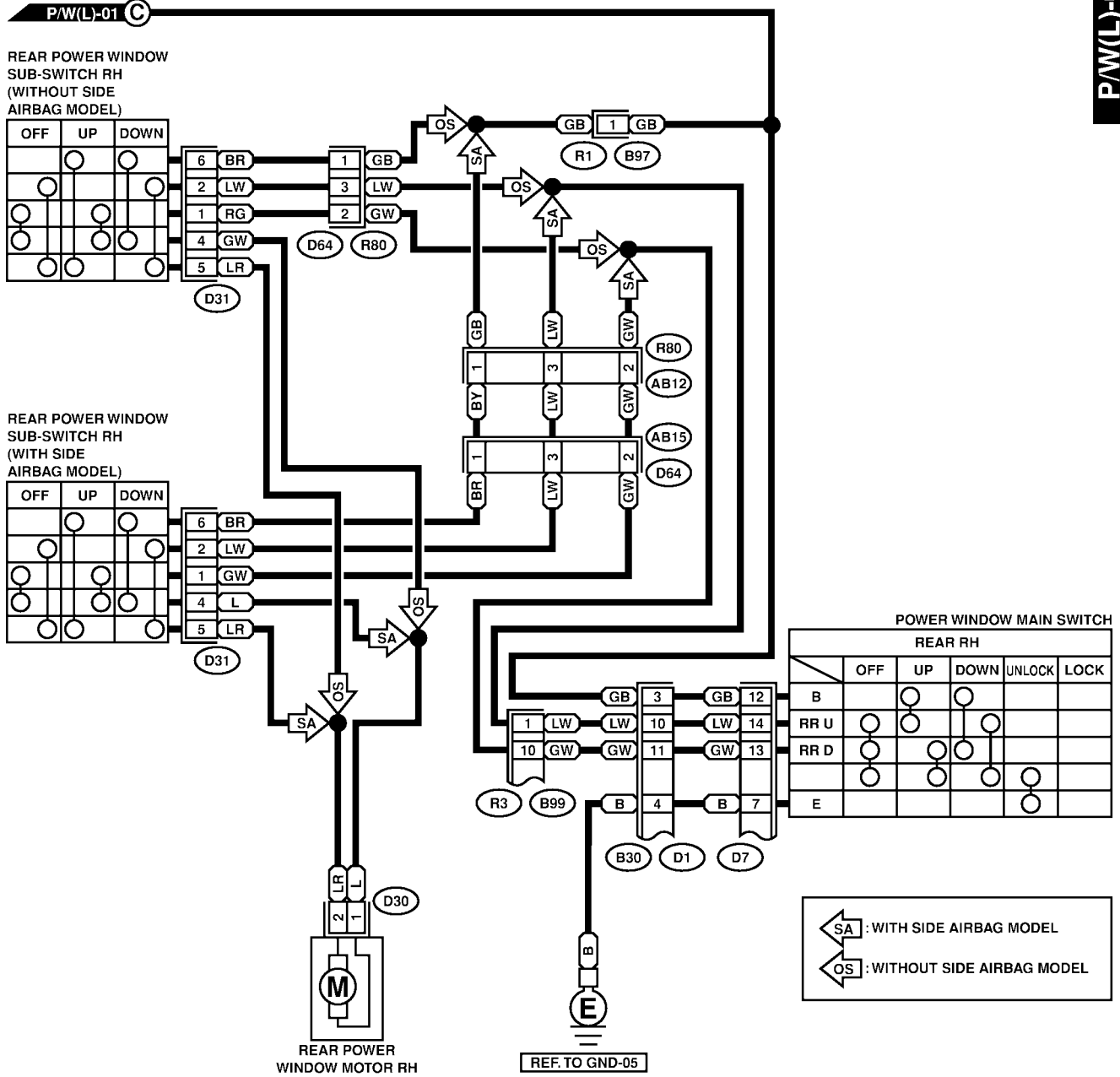


POWER WINDOW SYSTEM

Wiring System

P/W(L)-04

P/W(L)-04



D30 (BLUE)



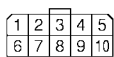
D64



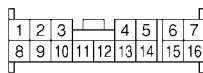
D31



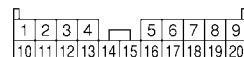
B97



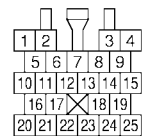
D7



B99



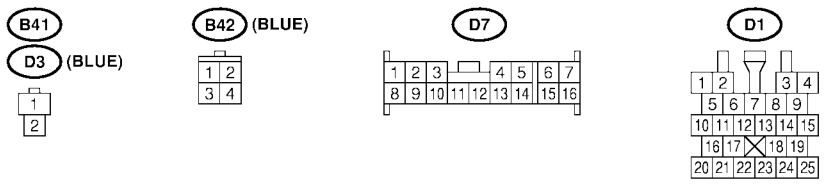
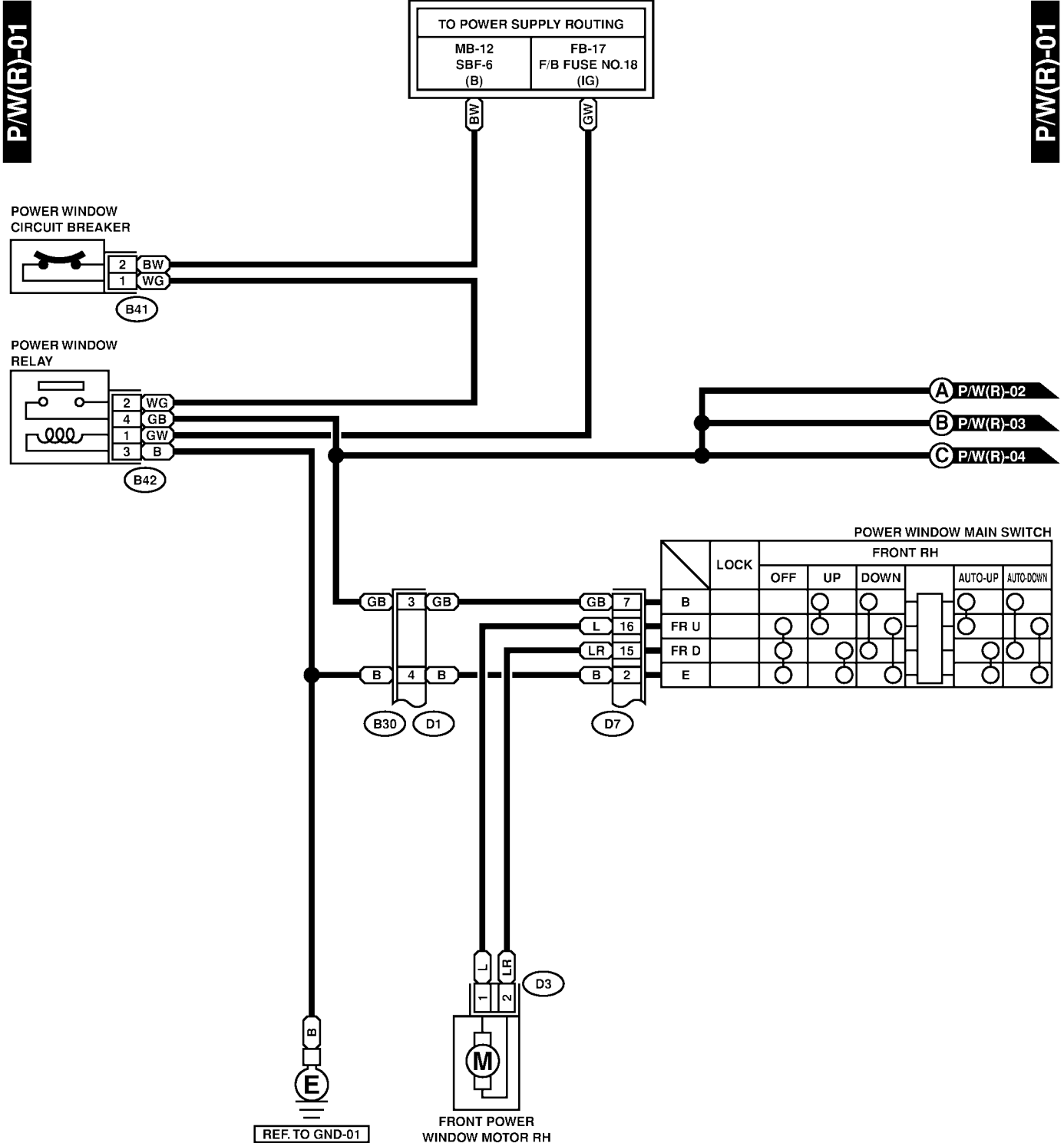
D1



POWER WINDOW SYSTEM

Wiring System

2. RHD MODEL S903456A2102



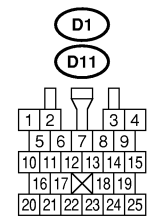
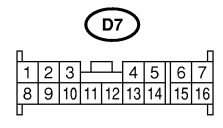
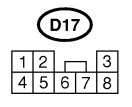
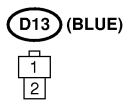
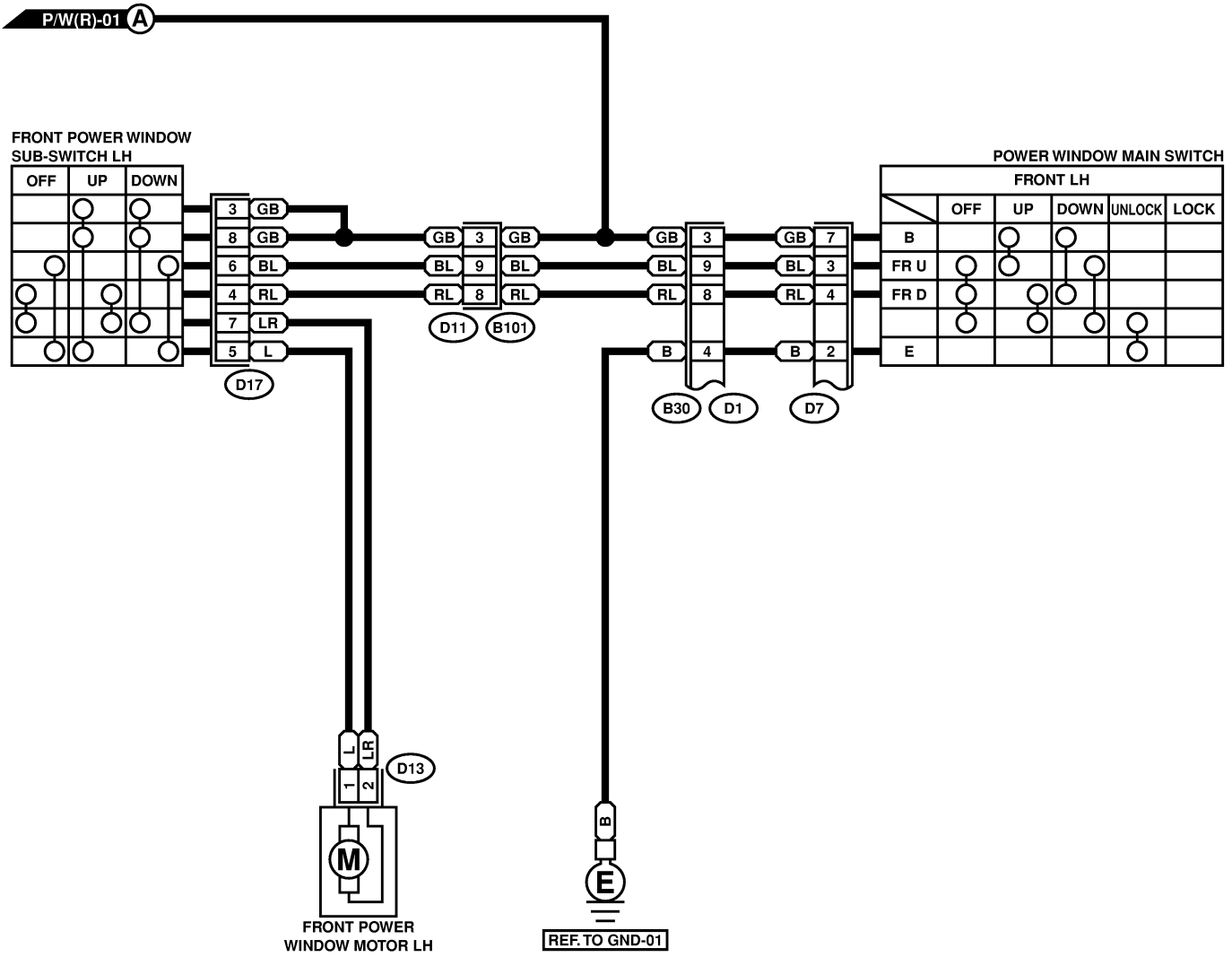
SR70-20A

POWER WINDOW SYSTEM

Wiring System

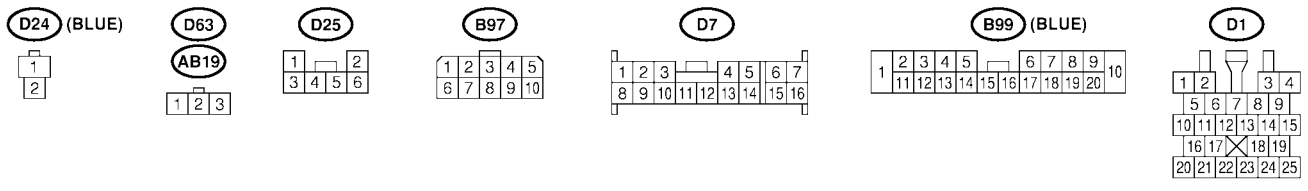
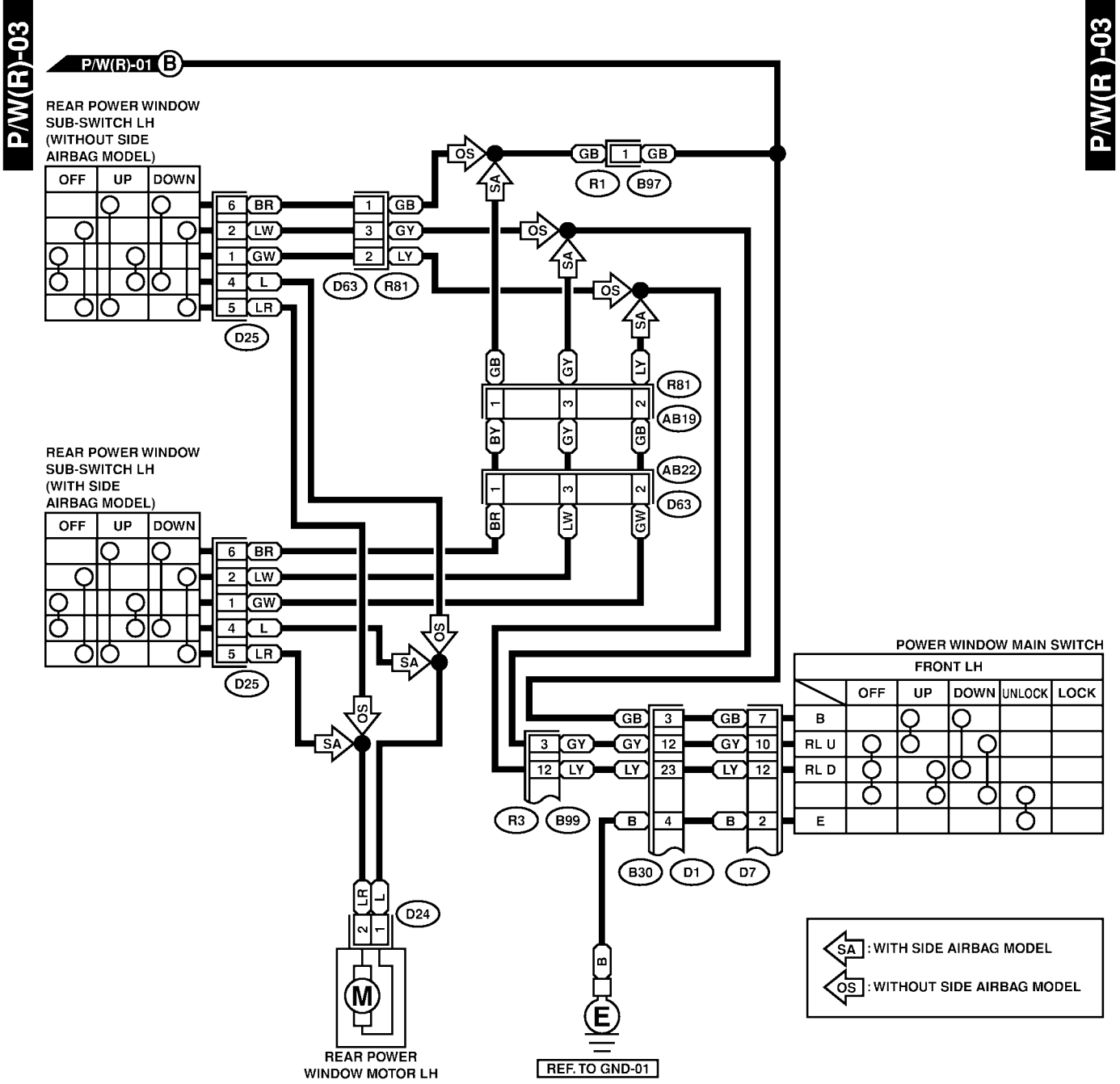
P/W(R)-02

P/W(R)-02



POWER WINDOW SYSTEM

Wiring System

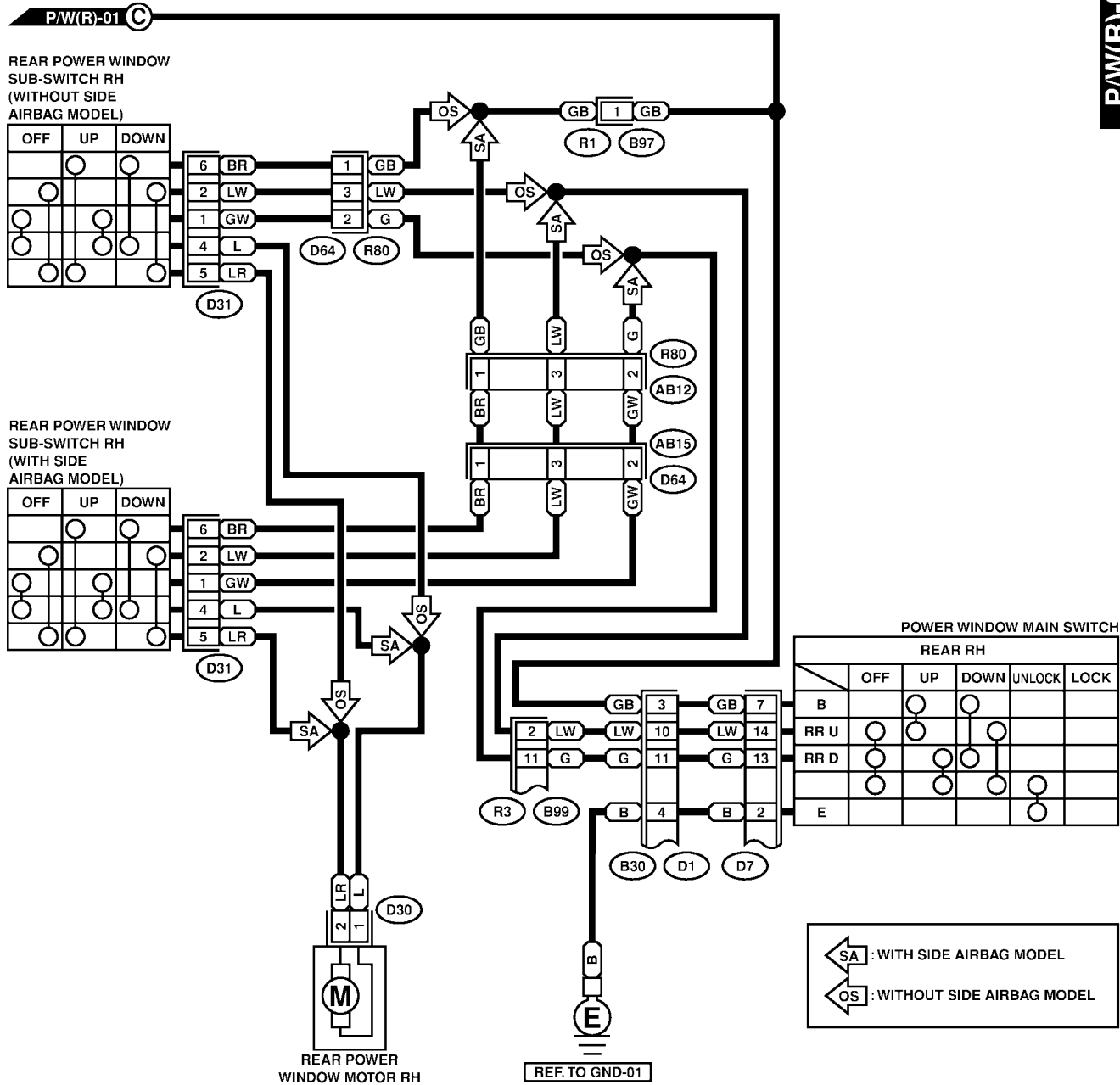


POWER WINDOW SYSTEM

Wiring System

P/W(R)-04

P/W(R)-04



D30 (BLUE)



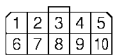
D64



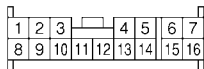
D31



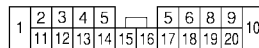
B97



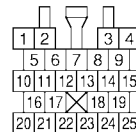
D7



B99 (BLUE)



D1

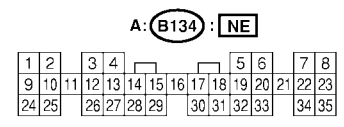
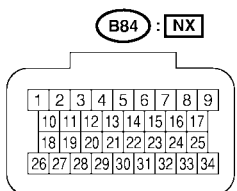
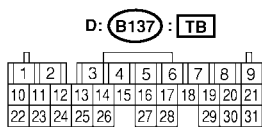
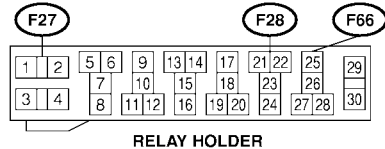
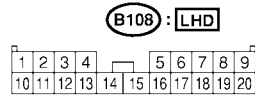
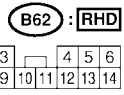
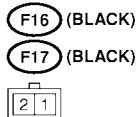
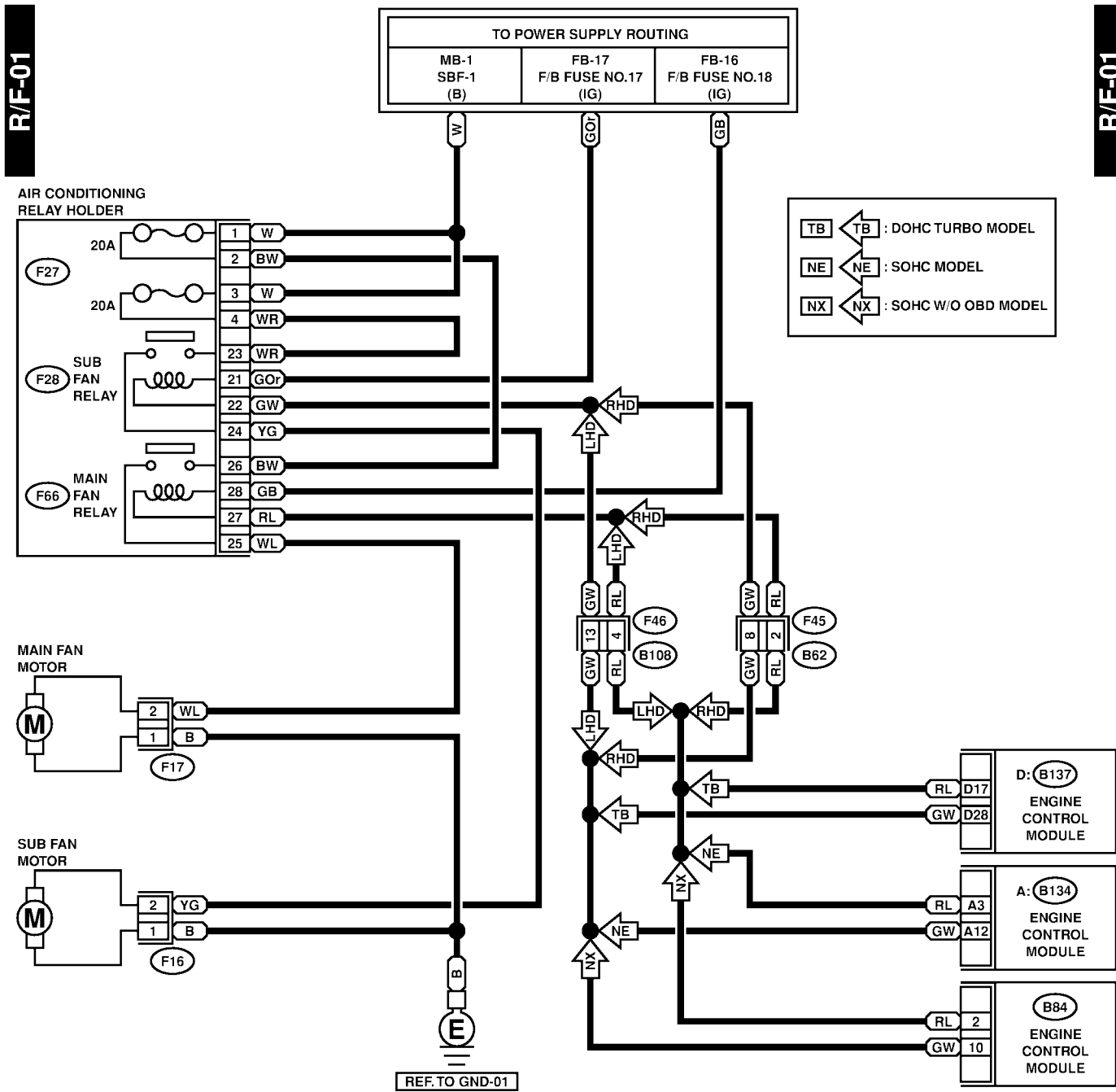


RADIATOR FAN SYSTEM

Wiring System

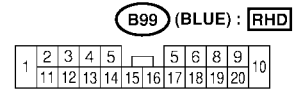
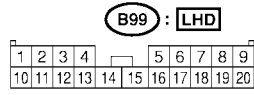
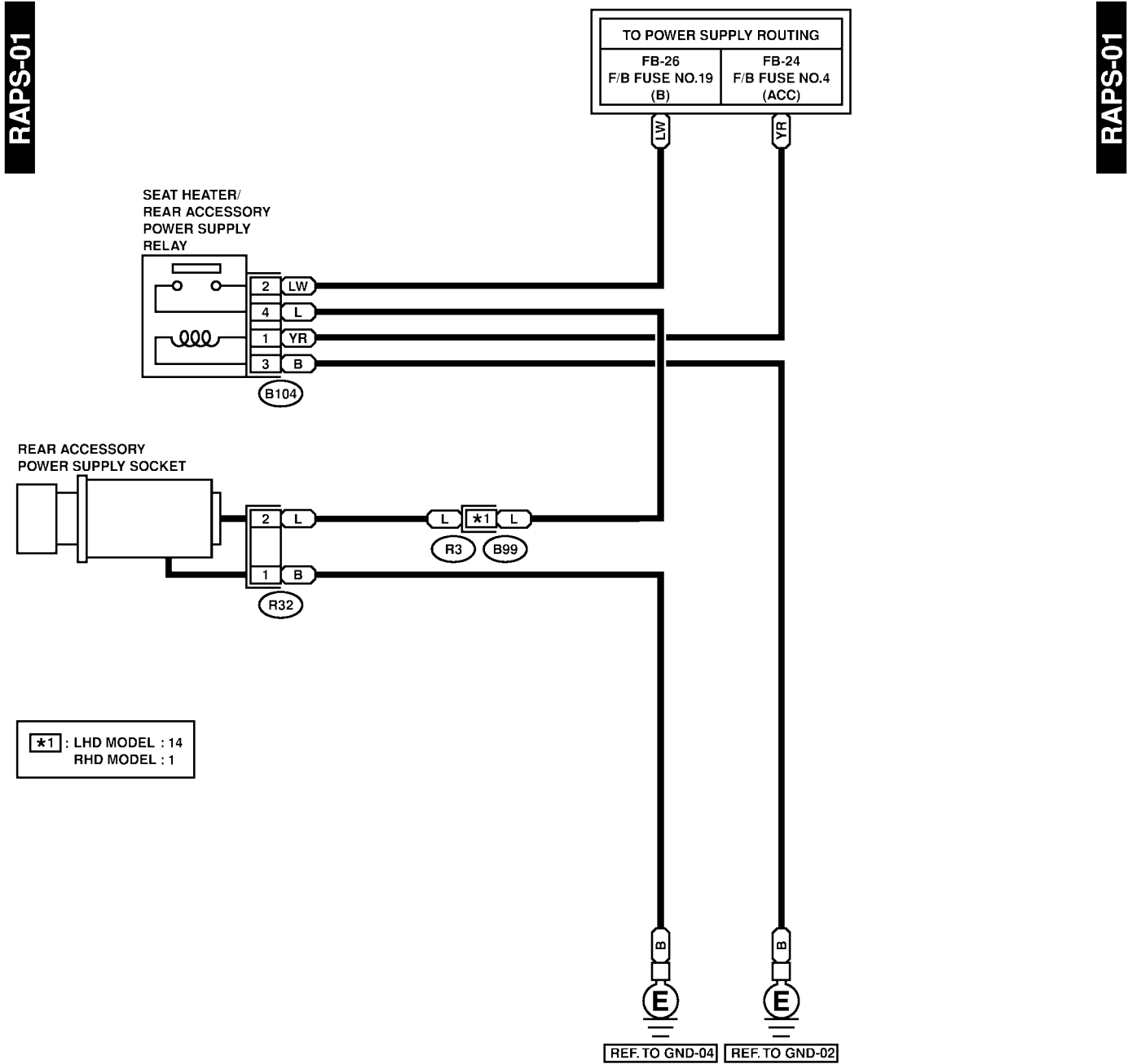
32. Radiator Fan System S903480

A: SCHEMATIC S903480A21



33. Rear Accessory Power Supply System S903670

A: SCHEMATIC S903670A21



REAR DIFFERENTIAL OIL TEMPERATURE WARNING SYSTEM

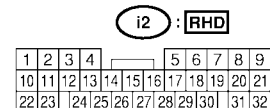
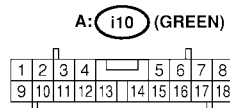
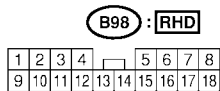
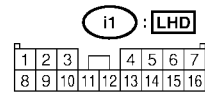
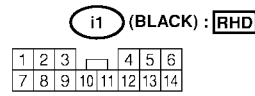
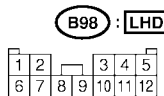
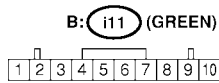
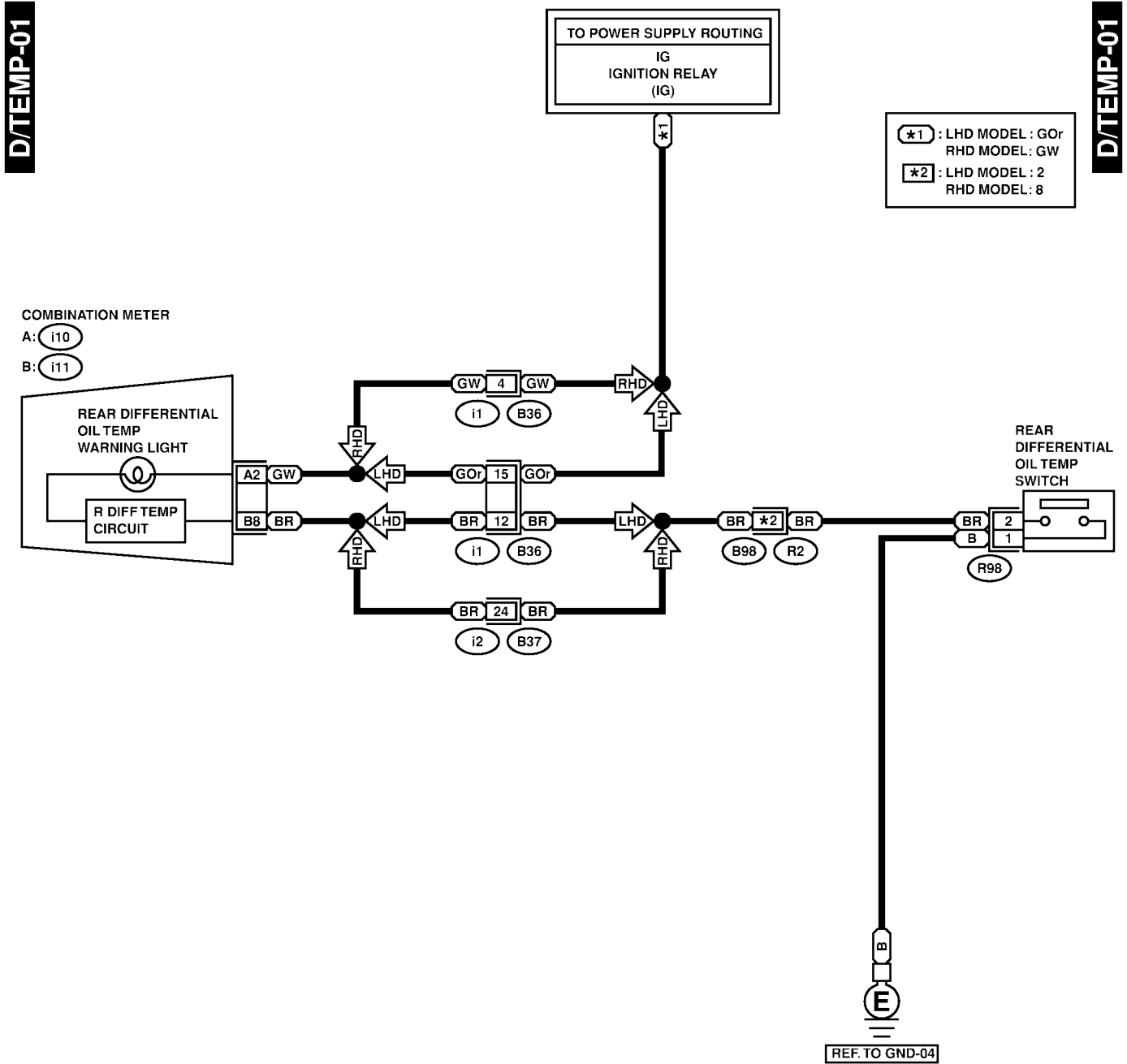
Wiring System

34. Rear Differential Oil Temperature Warning System

S903747

A: SCHEMATIC

S903747A21



REAR DIFFERENTIAL OIL TEMPERATURE WARNING SYSTEM

Wiring System

MEMO:

REAR FOG LIGHT SYSTEM

Wiring System

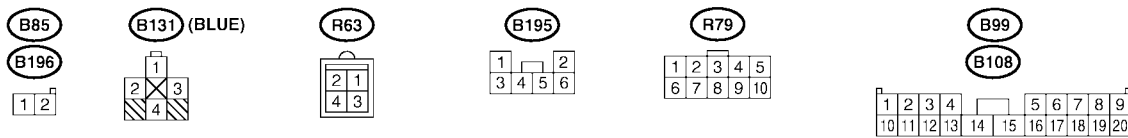
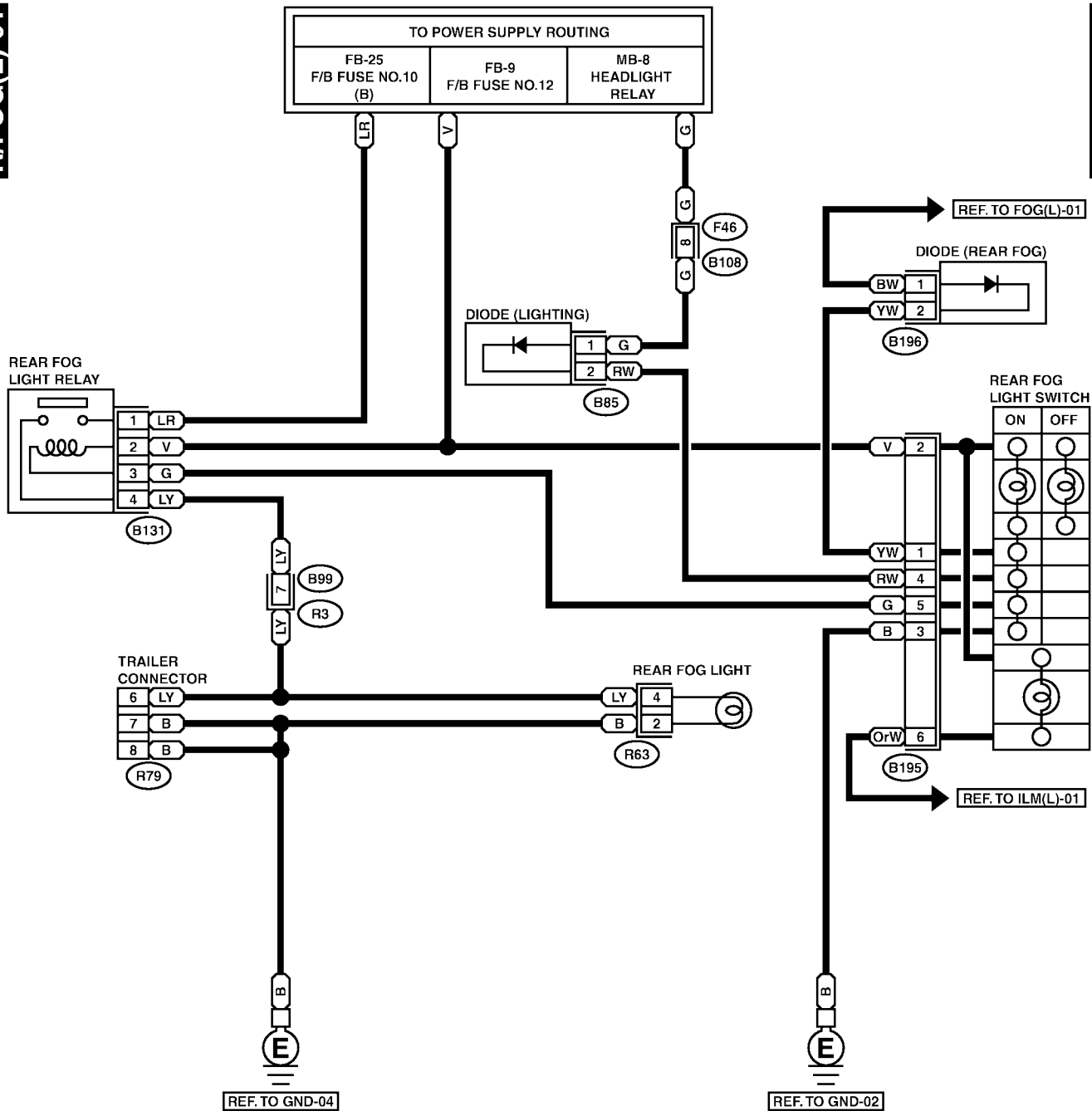
35. Rear Fog Light System S903476

A: SCHEMATIC S903476A21

1. LHD MODEL S903476A2101

R/FOG(L)-01

R/FOG(L)-01



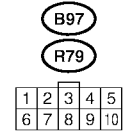
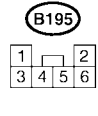
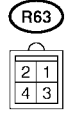
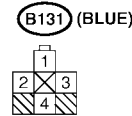
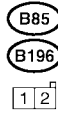
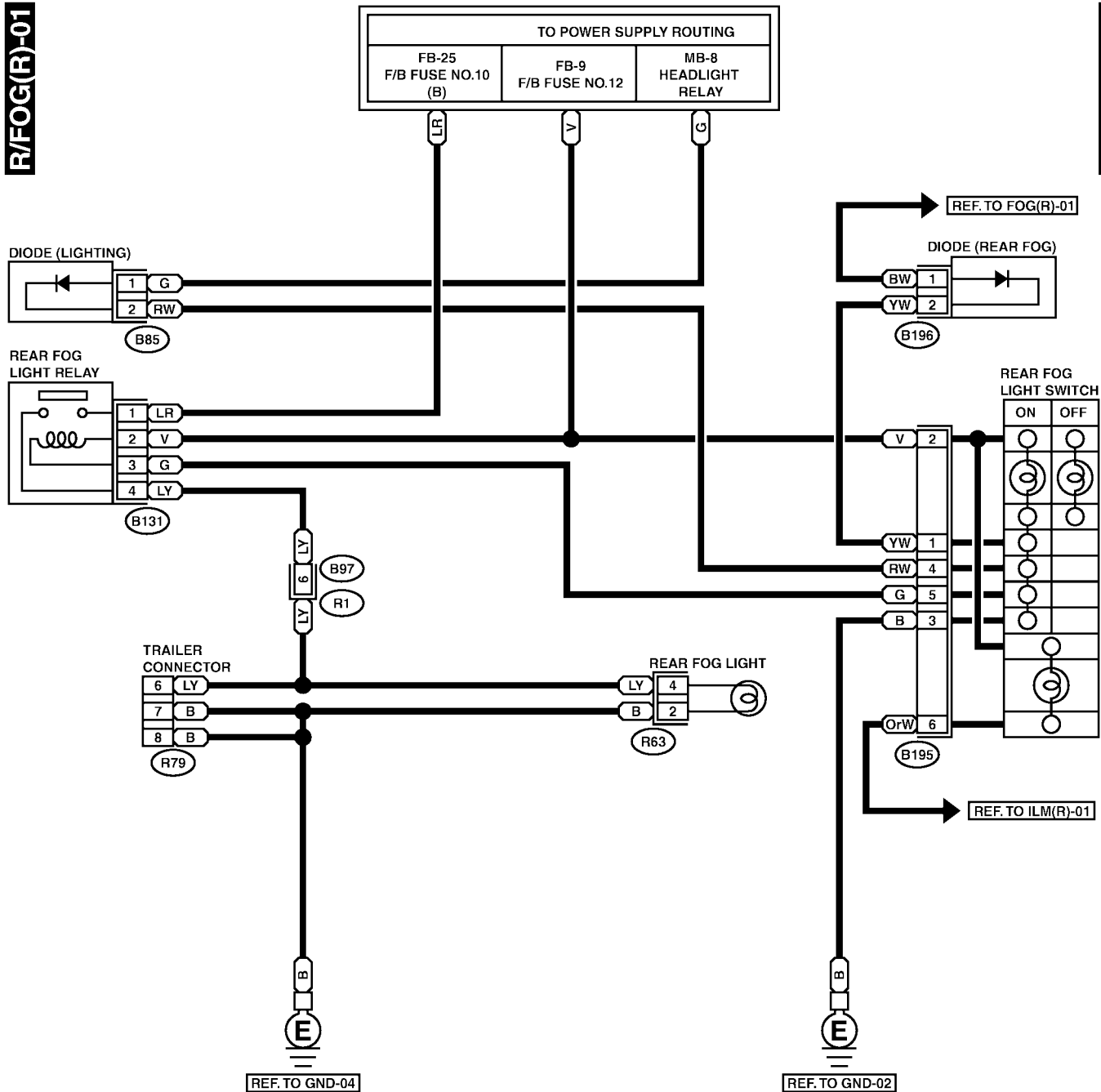
REAR FOG LIGHT SYSTEM

Wiring System

2. RHD MODEL S903476A2102

R/FOG(R)-01

R/FOG(R)-01



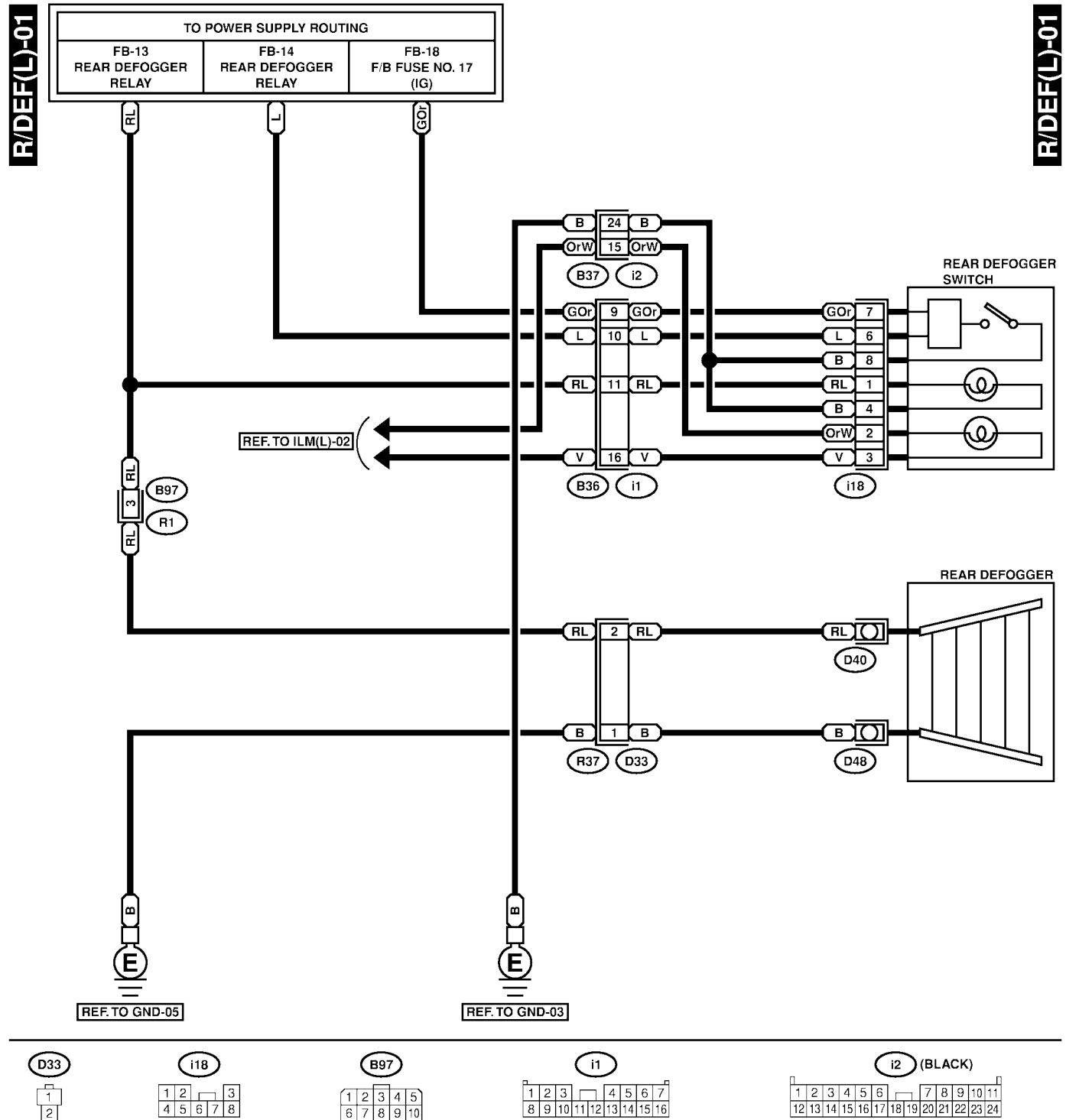
REAR WINDOW DEFOGGER SYSTEM

Wiring System

36. Rear Window Defogger System S903455

A: SCHEMATIC S903455A21

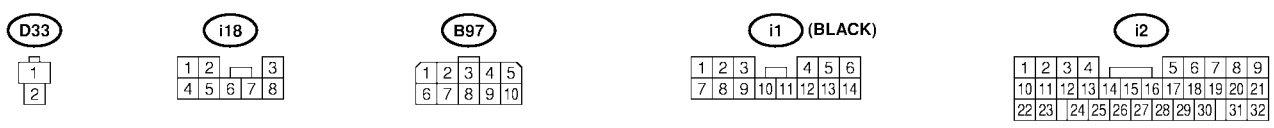
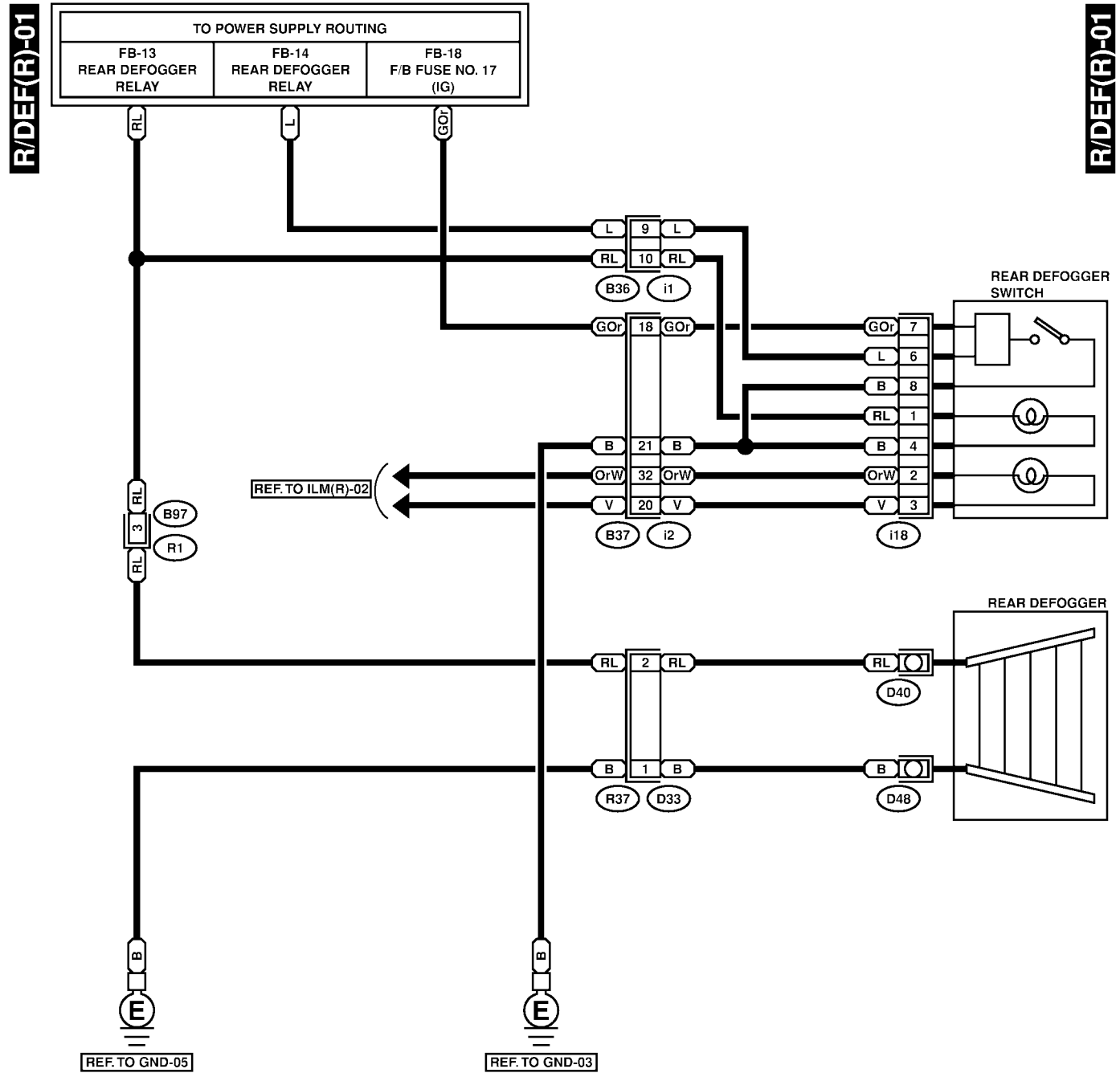
1. LHD MODEL S903455A2101



REAR WINDOW DEFOGGER SYSTEM

Wiring System

2. RHD MODEL S903455A2102



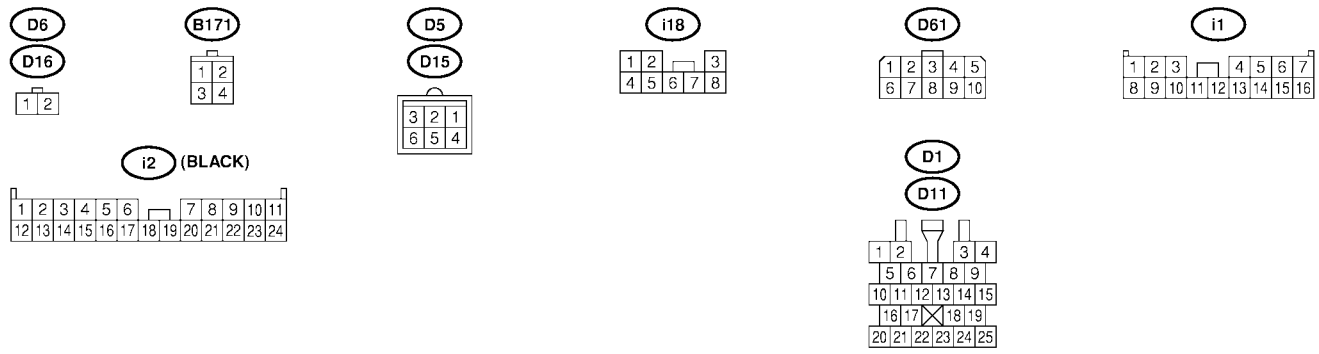
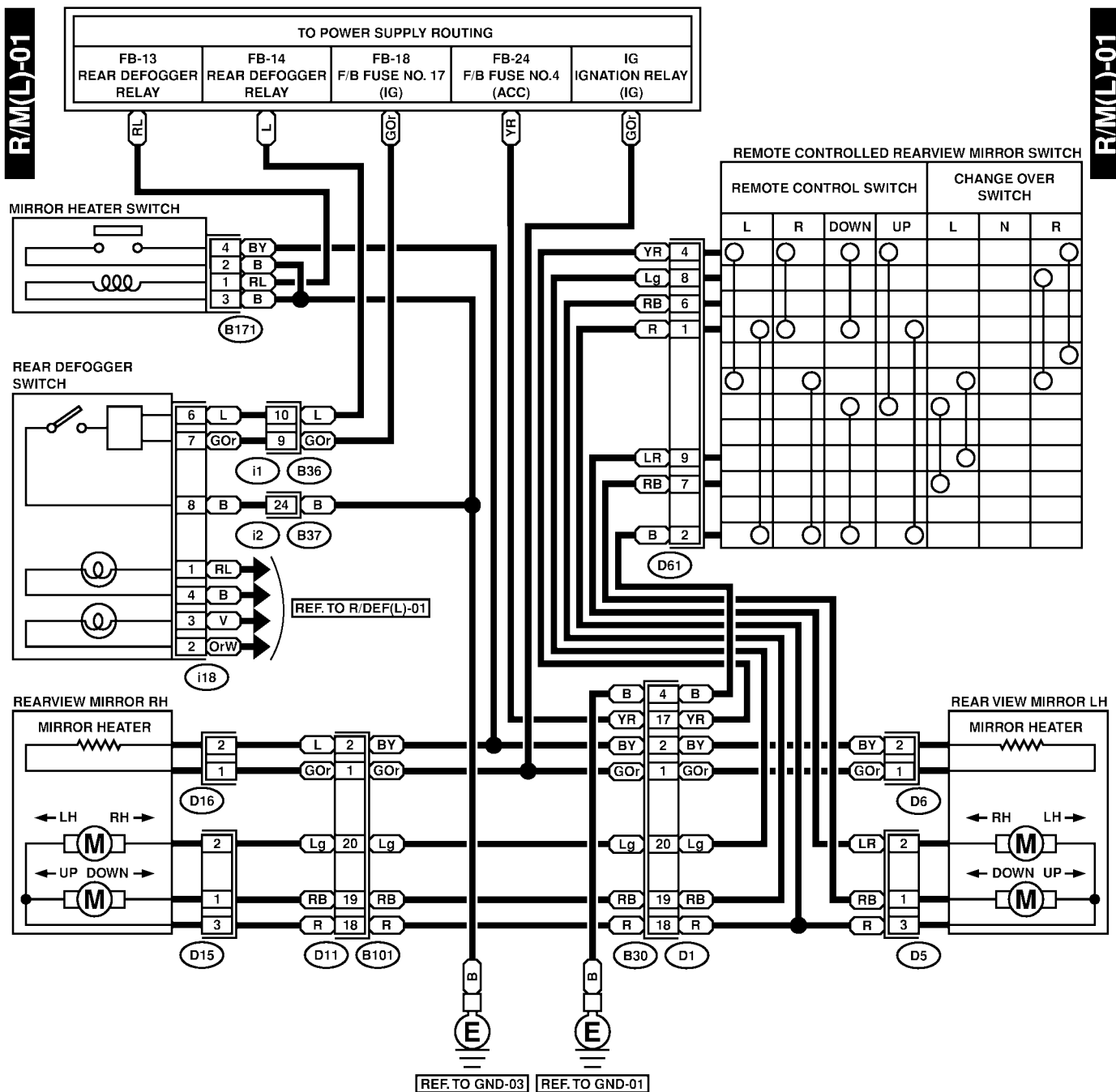
37. Remote Controlled Rearview Mirror System S903459

A: SCHEMATIC S903459A21

REMOTE CONTROLLED REARVIEW MIRROR SYSTEM

Wiring System

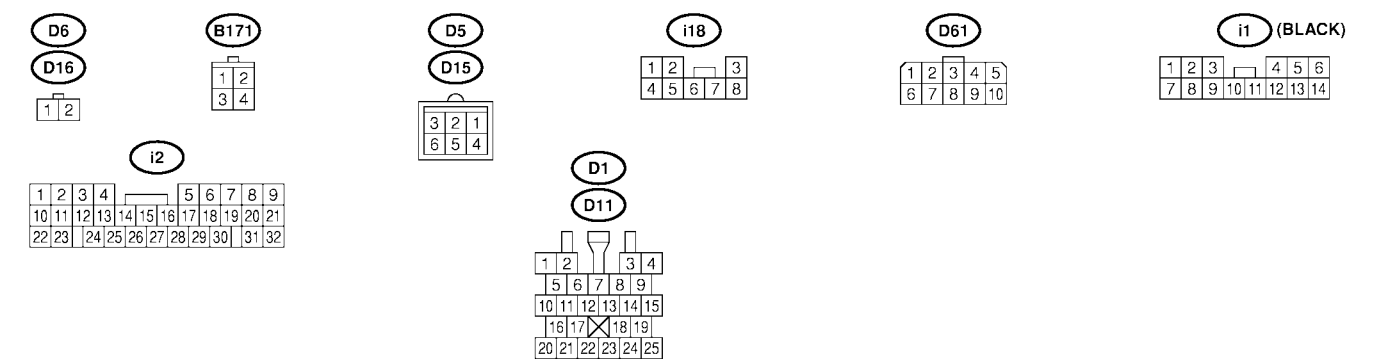
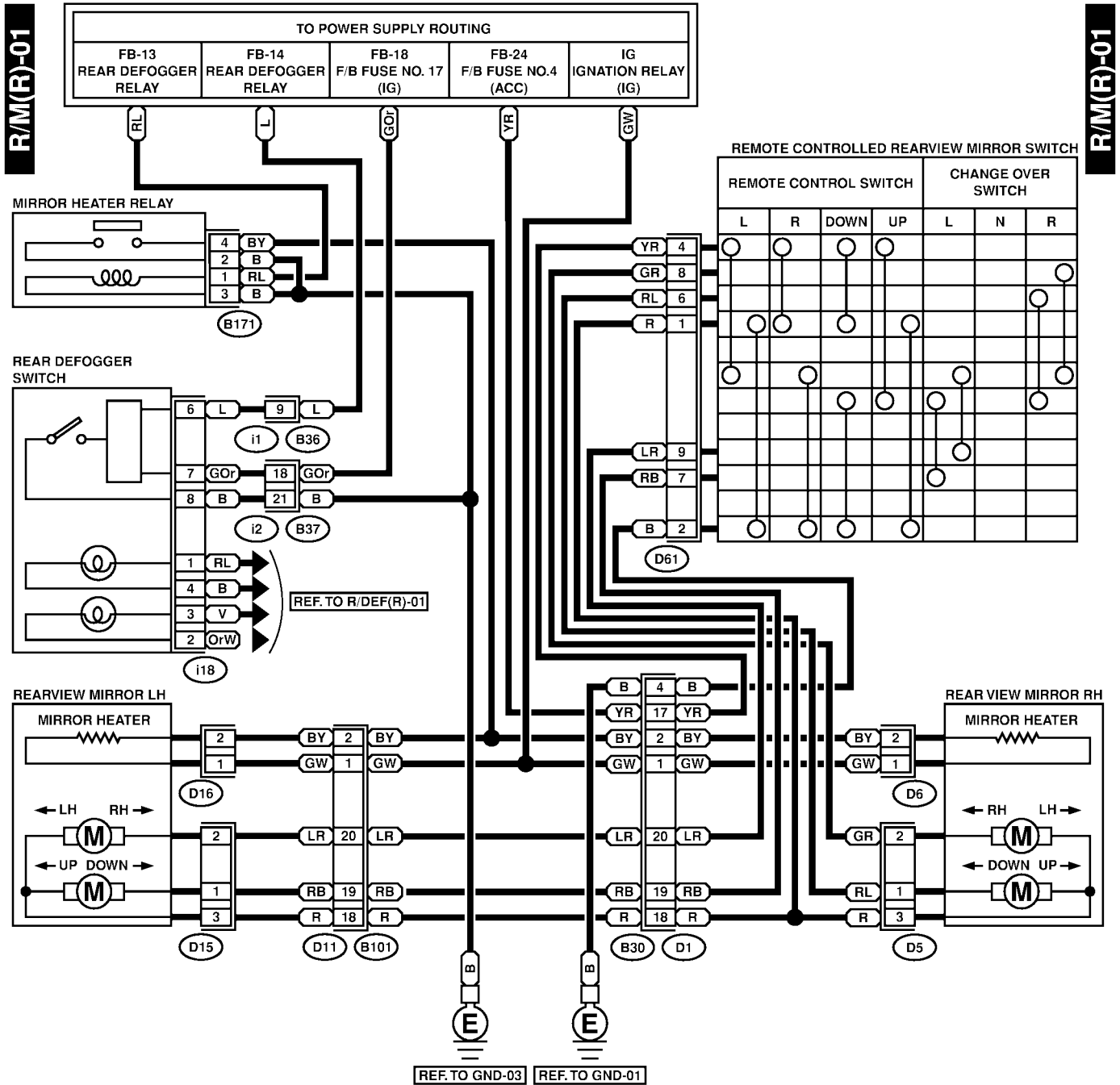
1. LHD MODEL S903459A2101



REMOTE CONTROLLED REARVIEW MIRROR SYSTEM

Wiring System

2. RHD MODEL S903459A2102



MEMO:

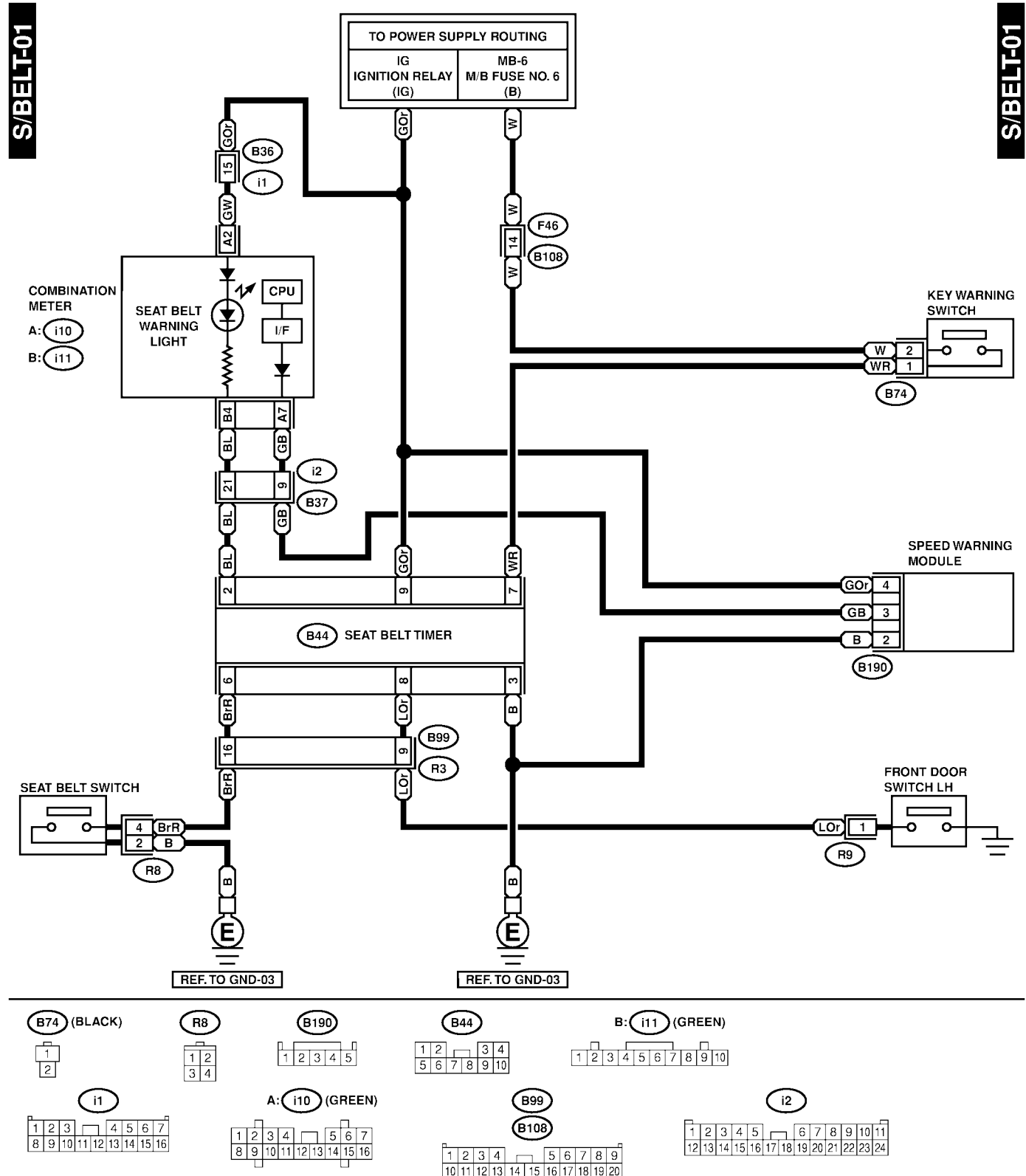
SEAT BELT WARNING SYSTEM

Wiring System

38. Seat Belt Warning System S903483

A: SCHEMATIC S903483A21

1. LHD MODEL S903483A2101



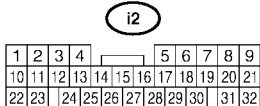
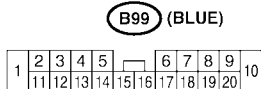
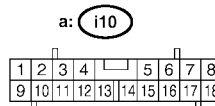
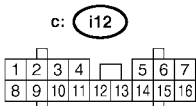
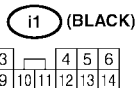
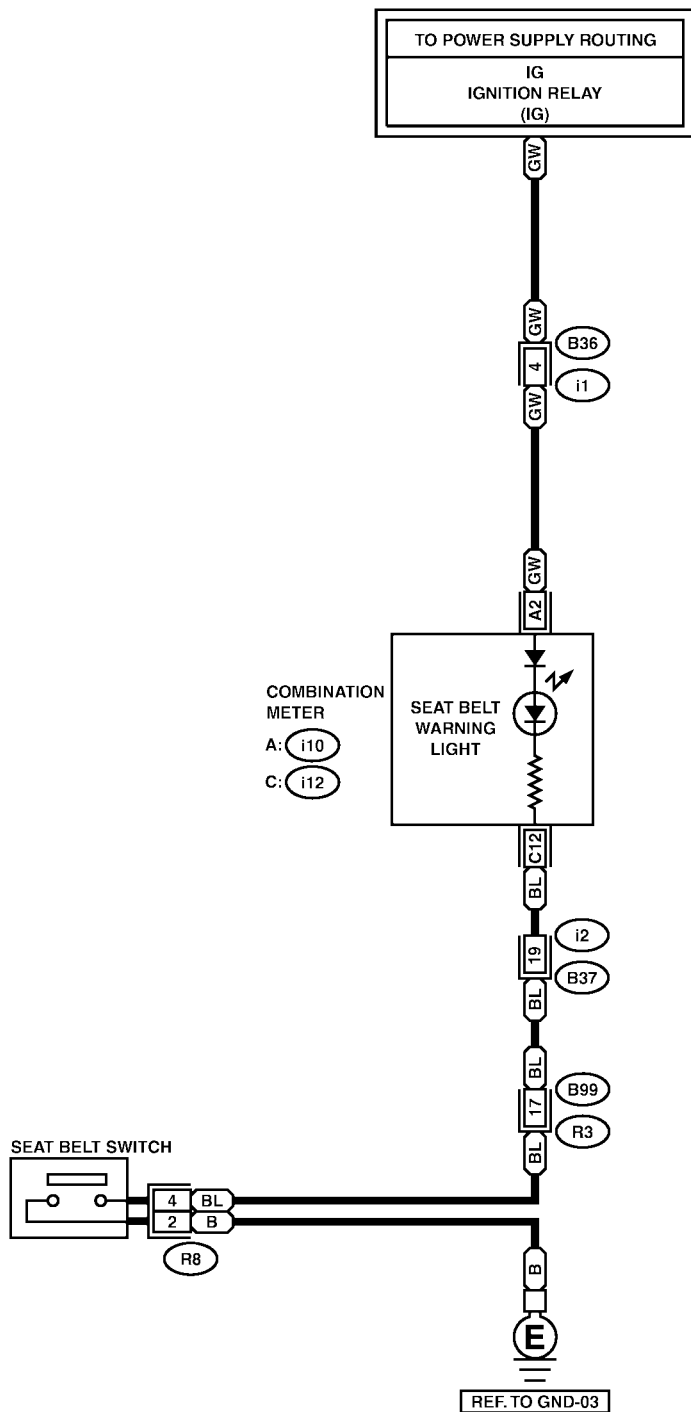
SEAT BELT WARNING SYSTEM

Wiring System

2. RHD MODEL S903483A2102

S/BELT-01

S/BELT-01



SEAT HEATER SYSTEM

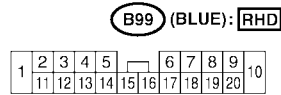
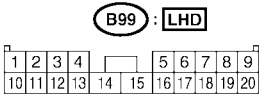
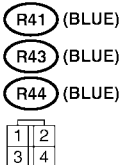
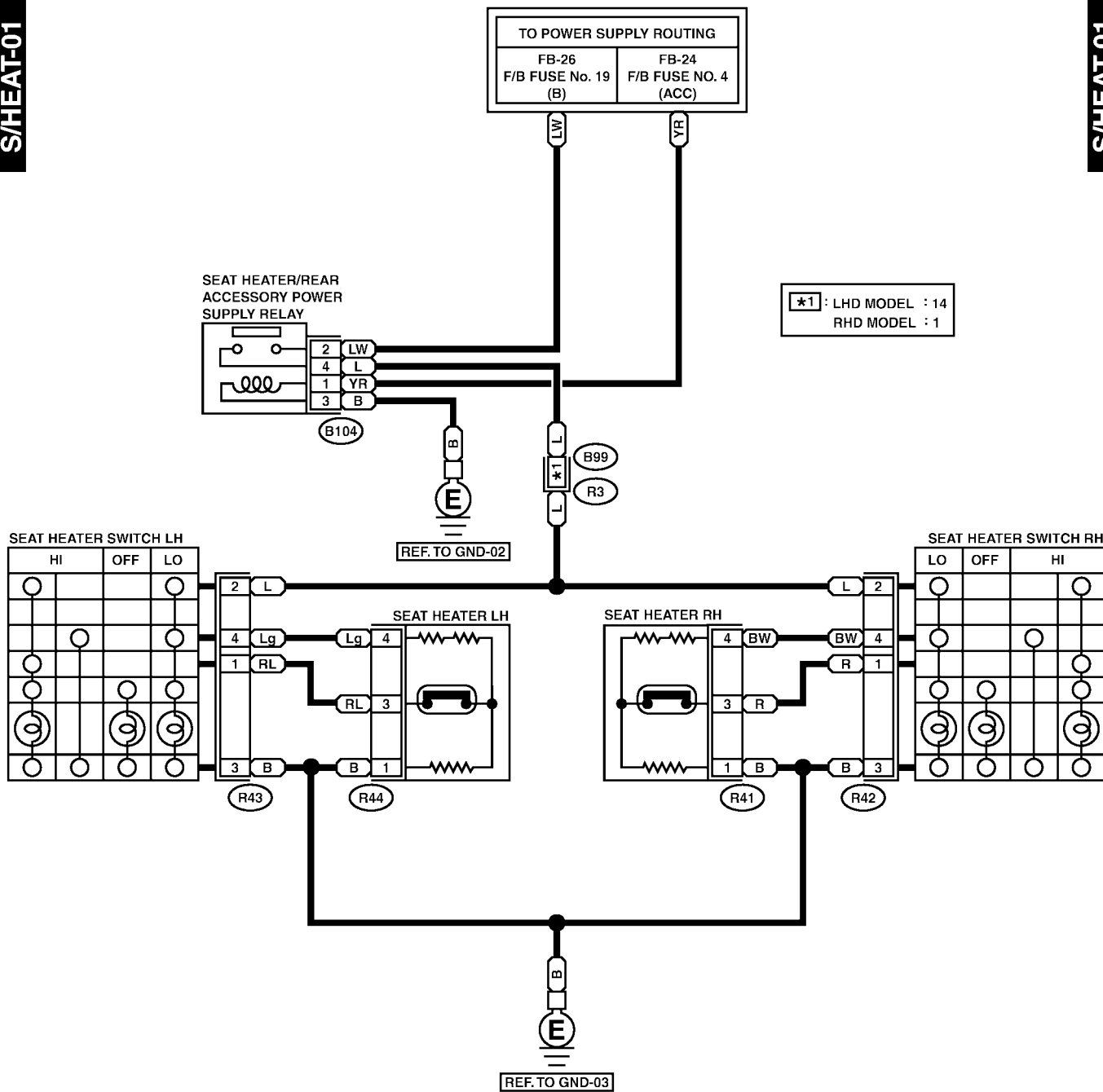
Wiring System

39. Seat Heater System S903462

A: SCHEMATIC S903462A21

S/HEAT-01

S/HEAT-01

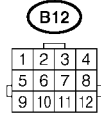
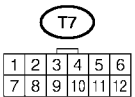
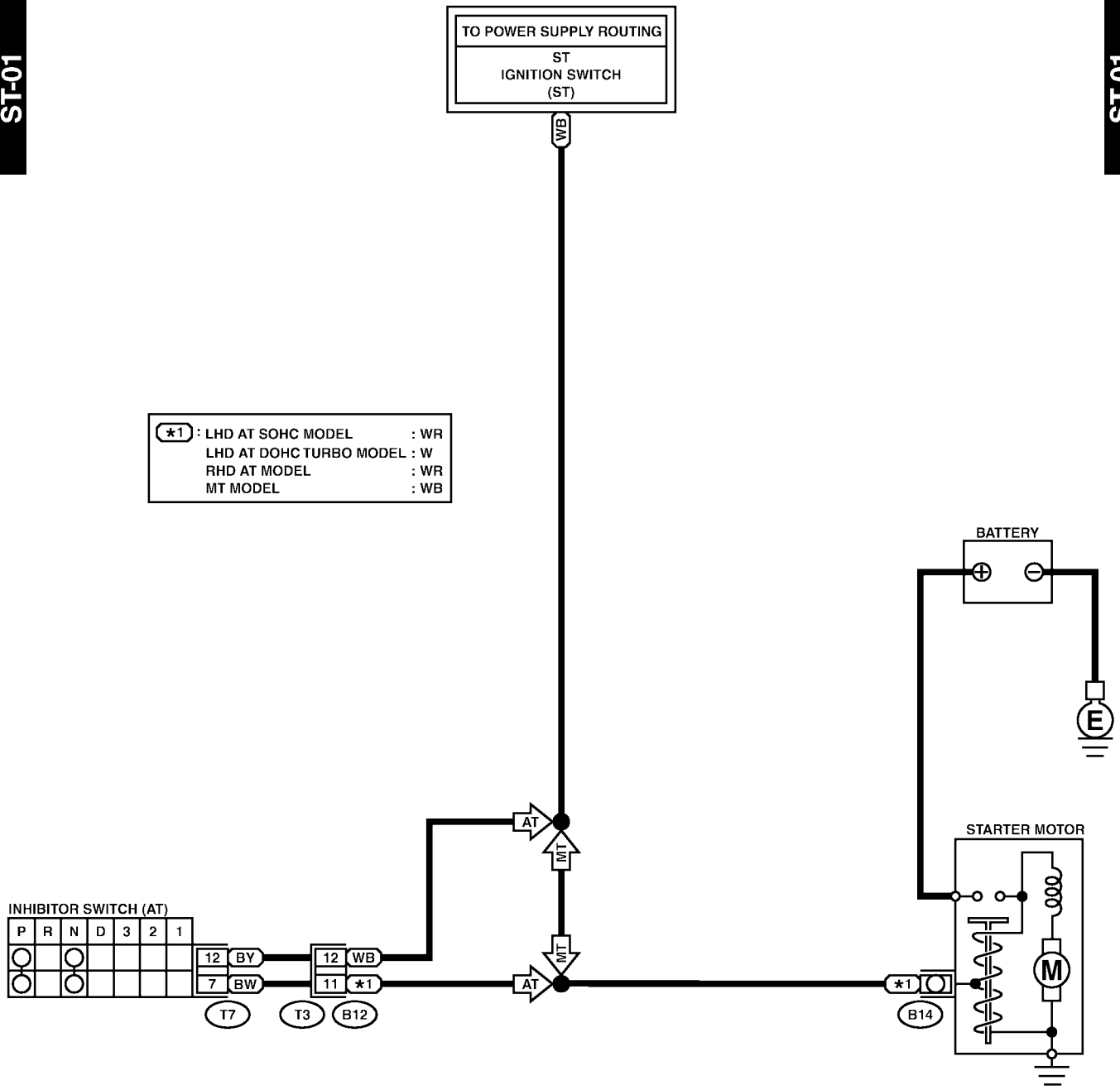


40. Starter System S903439

A: SCHEMATIC S903439A21

ST-01

ST-01



STOP LIGHT SYSTEM

Wiring System

41. Stop Light System S903417

A: SCHEMATIC S903417A21

