

BRAKE LININGS AND DRUMS

PERIODIC MAINTENANCE SERVICES

21. Brake Linings and Drums

A: INSPECTION

1. REAR DRUM BRAKE

- 1) Remove the brake drum, and check that there is no fluid leakage from wheel cylinder.
If there is fluid leakage from wheel cylinder, inspect the wheel cylinder, and then repair or replace it.
- 2) Inspect the brake shoes for damage or deformities and check brake linings for wear.

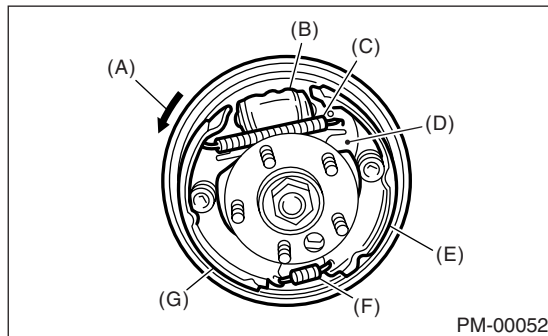
CAUTION:

- Always replace both leading and trailing brake shoes for the right and left wheels at the same time.
- When either the right and left brake assembly is replaced, always replace the leading shoe and trailing shoe of the other.

Thickness of lining (except back metal)

Standard value: 4.1 mm (0.161 in)

Service limit: 1.5 mm (0.059 in)



- (A) Rotational direction of drum (Forward)
- (B) Wheel cylinder
- (C) Upper shoe return spring
- (D) Adjusting lever
- (E) Trailing shoe
- (F) Lower shoe return spring
- (G) Leading shoe

- 3) Check the brake drum for wear, dents or other damage.

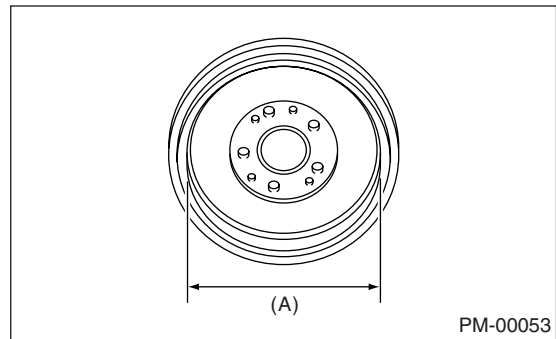
If the inside surface of brake drum is streaked, correct the surface with emery cloth (#200 or more). If it is unevenly worn, tapered or the outside surface of brake drum is damaged, correct or replace it.

Brake drum inner diameter

Standard value: 228.6 mm (9.000 in)

Service limit: 230.6 mm (9.079 in)

If deformation or wear of back plate, shoe, etc. is noticeable, replace the affected parts.



(A) Inside diameter

2. PARKING BRAKE (REAR DISC BRAKE)

Inspect the brake linings and the disk rotor inside of both sides of the rear brake at the same time by removing the disk rotor.

- 1) Inspect the brake shoes for damage or deformation and check brake linings for wear.

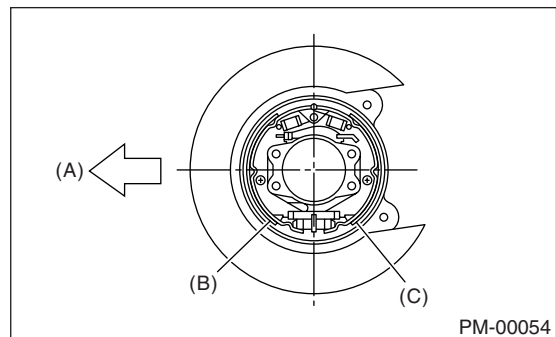
CAUTION:

Always replace both primary and secondary brake shoes for the right and left wheels at the same time.

Brake lining thickness (excluding back metal)

Standard value: 3.2 mm (0.126 in)

Wear limit: 1.5 mm (0.059 in)



- (A) Forward
- (B) Brake shoe (Primary side)
- (C) Brake shoe (Secondary side)

BRAKE LININGS AND DRUMS

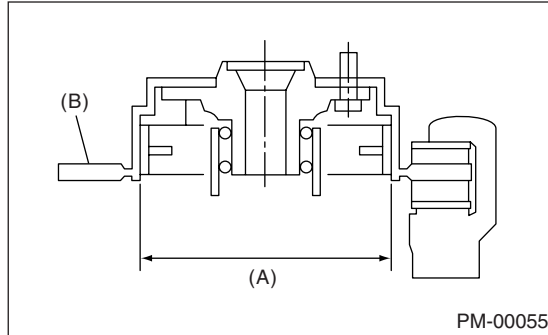
PERIODIC MAINTENANCE SERVICES

2) Check the disk rotor for wear, dents or other damage. If the inside surface of disk rotor is streaked, correct the surface with emery cloth (#200 or more). If it is unevenly worn or tapered, correct or replace it.

Brake drum inside diameter

Standard value: 170 mm (6.69 in)

Wear limit: 171 mm (6.73 in)



- (A) Inside diameter
- (B) Disk

3) If the deformation or wear of back plate, shoe, etc. is noticeable, replace them.
4) When the shoe return spring tension is excessively weakened, replace it.

B: ADJUSTMENT

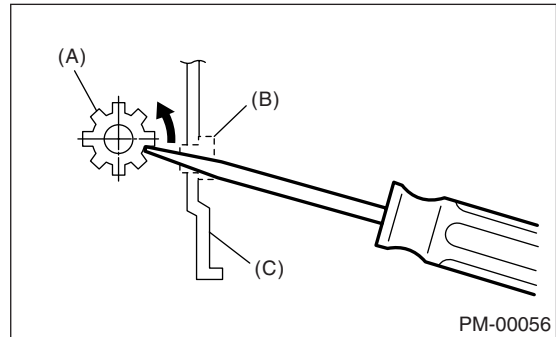
1. REAR DRUM BRAKE

The main brake is adjusted automatically, and so there is no need to adjust it.

2. PARKING BRAKE (REAR DISC BRAKE)

For rear disc brake, adjust the parking brake after bleeding air.

- 1) Remove the rear cover (rubber) installed at back plate.
- 2) Turn the adjuster toward arrow mark (upward) until it is locked slightly, by using a flat tip screwdriver as shown in illustration.



- (A) Adjuster
- (B) Rear cover (rubber)
- (C) Back plate

3) Turn back (downward) the adjuster 3 to 4 notches.
4) Install the rear cover (rubber) at original position correctly.