

GENERAL DESCRIPTION

FUEL INJECTION (FUEL SYSTEMS)

1. General Description

A: SPECIFICATIONS

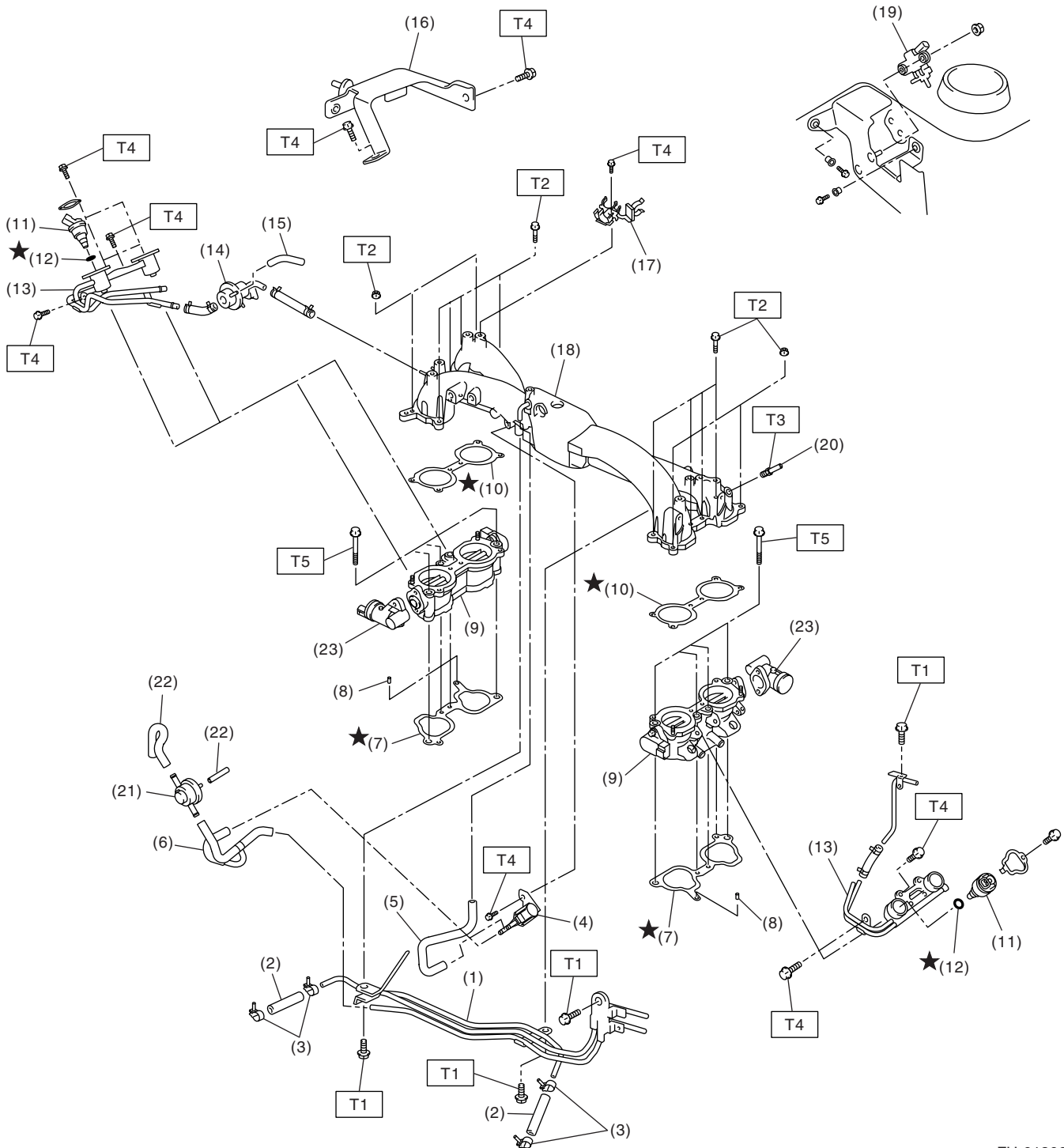
Fuel tank	Capacity	60 ℓ (15.9 US gal, 13.2 Imp gal)
	Location	Under rear seat
Fuel pump	Type	Impeller
	Shutoff discharge pressure	450 — 677 kPa (4.59 — 6.9 kg/cm ² , 65.27 — 98.2 psi)
	Discharge flow	More than 130 ℓ (34.3 US gal, 28.6 Imp gal)/h [12 V at 300 kPa (3.06 kg/cm ² , 43.5 psi)]
Fuel filter		Cartridge type

GENERAL DESCRIPTION

FUEL INJECTION (FUEL SYSTEMS)

B: COMPONENT

1. INTAKE MANIFOLD



FU-01306

FU(H4DOTC)-3

GENERAL DESCRIPTION

FUEL INJECTION (FUEL SYSTEMS)

- | | |
|------------------------------------|--|
| (1) Fuel pipe ASSY | (13) Fuel injector pipe |
| (2) Fuel hose | (14) Pressure regulator |
| (3) Clamp | (15) Pressure regulator hose |
| (4) Purge control solenoid valve | (16) Fuel pipe protector RH |
| (5) Vacuum hose | (17) Blow-by hose stay |
| (6) Vacuum control hose | (18) Intake manifold |
| (7) Intake manifold gasket | (19) Wastegate control solenoid valve ASSY |
| (8) Guide pin | (20) Nipple |
| (9) Tumble generator valve ASSY | (21) Purge valve |
| (10) Tumble generator valve gasket | (22) Purge hose |
| (11) Fuel injector | (23) Tumble generator valve actuator |
| (12) O-ring | |

Tightening torque: N·m (kgf·m, ft·lb)

T1: 5 (0.5, 3.7)

T2: 8.25 (0.84, 6.1)

T3: 17 (1.73, 12.5)

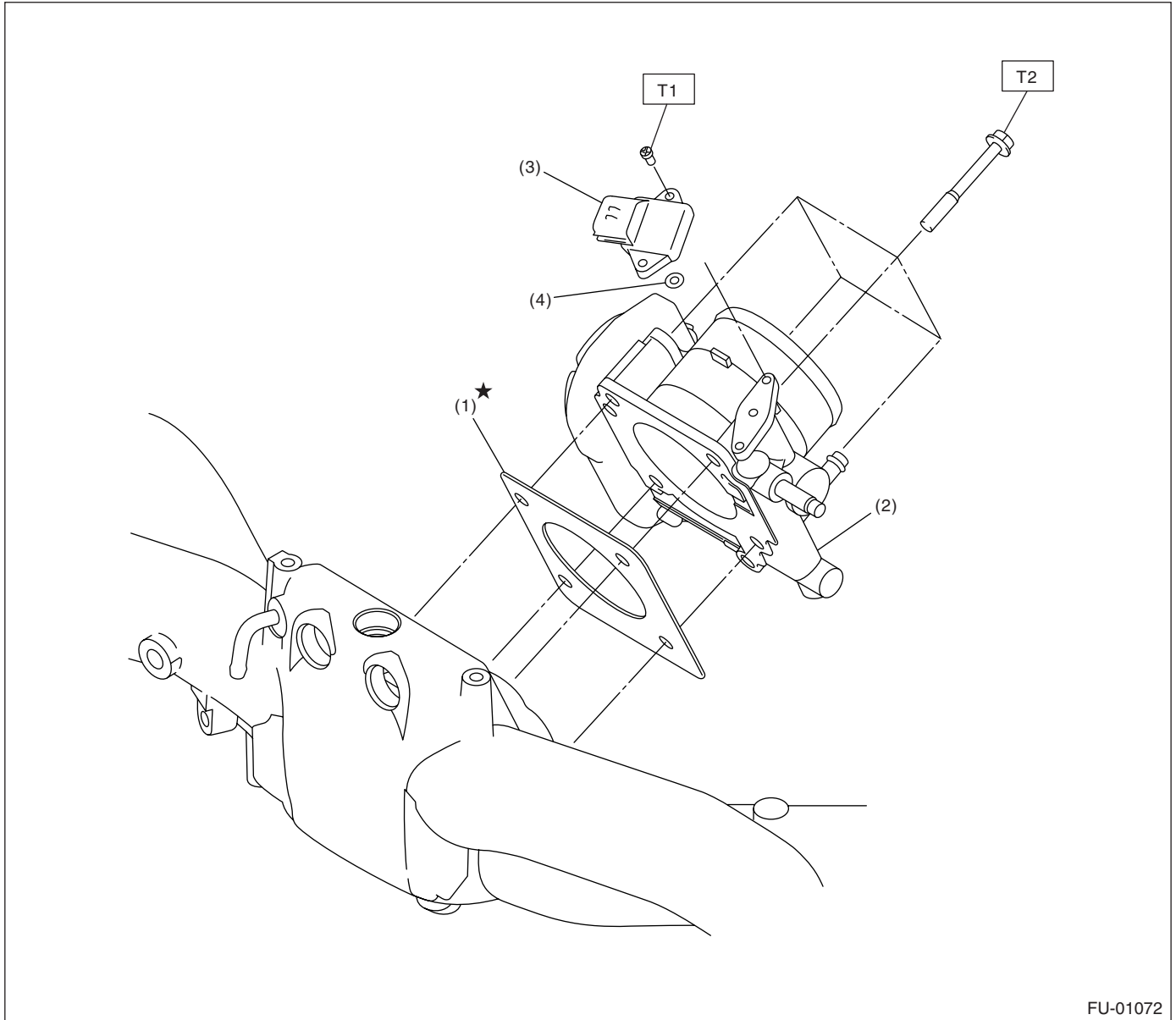
T4: 19 (1.94, 13.7)

T5: 25 (2.5, 18.1)

GENERAL DESCRIPTION

FUEL INJECTION (FUEL SYSTEMS)

2. AIR INTAKE SYSTEM



FU-01072

- (1) Gasket
- (2) Throttle body

- (3) Manifold absolute pressure sensor
- (4) O-ring

Tightening torque: N·m (kgf·m, ft·lb)

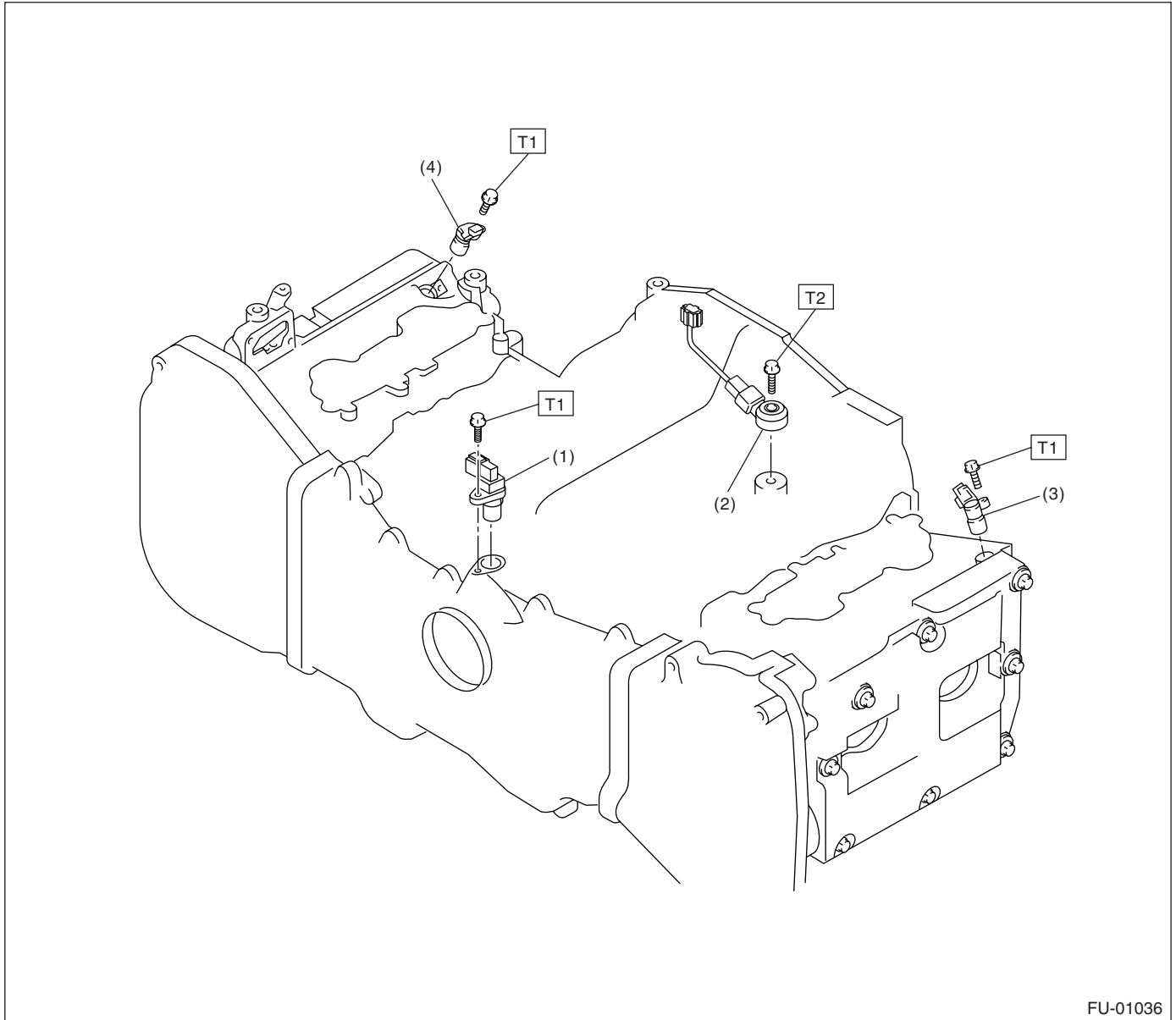
T1: 1.6 (0.16, 1.2)

T2: 8 (0.8, 5.8)

GENERAL DESCRIPTION

FUEL INJECTION (FUEL SYSTEMS)

3. CRANKSHAFT POSITION, CAMSHAFT POSITION AND KNOCK SENSORS



FU-01036

- (1) Crankshaft position sensor
- (2) Knock sensor

- (3) Camshaft position sensor LH
- (4) Camshaft position sensor RH

Tightening torque: N·m (kgf·m, ft·lb)

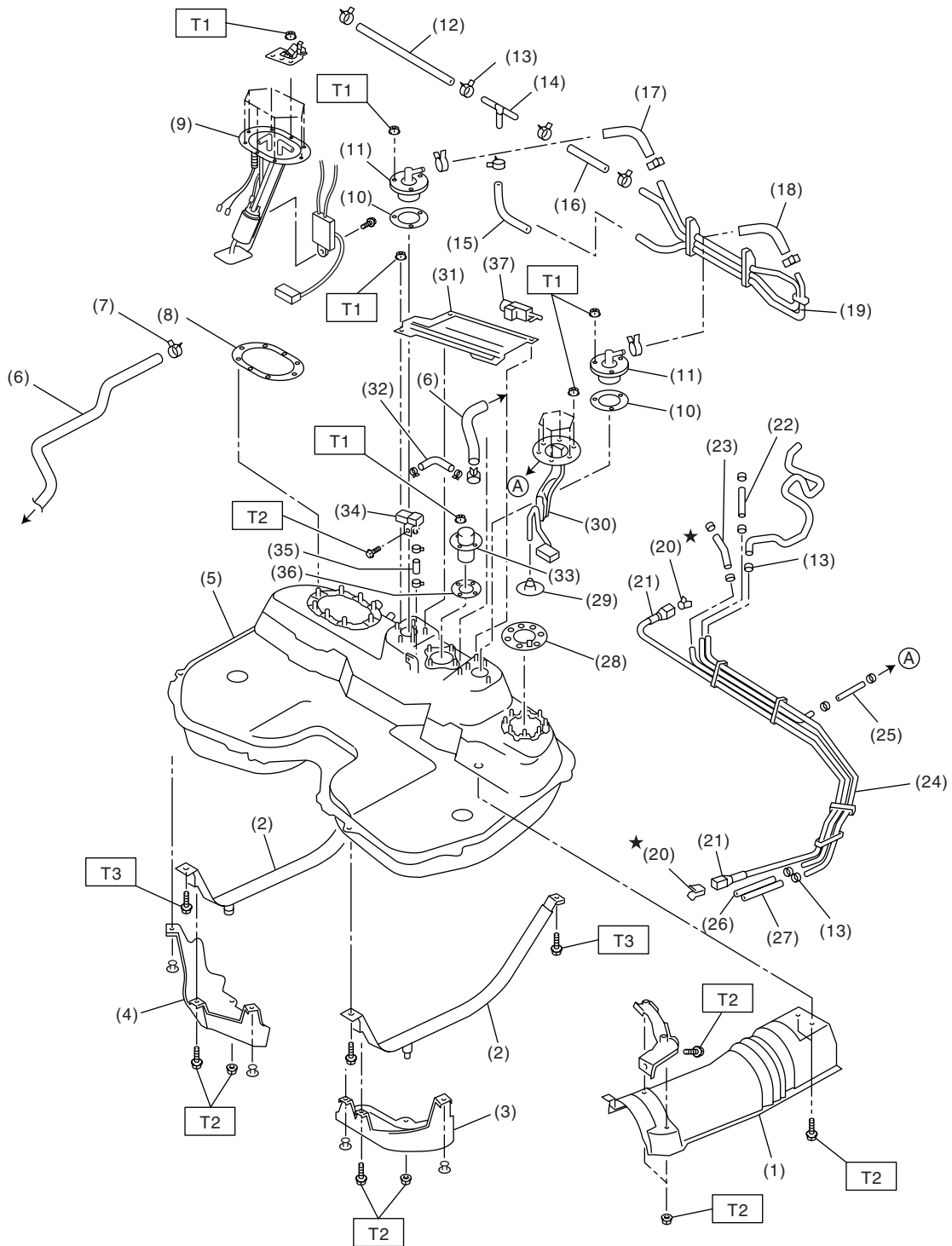
T1: 6.4 (0.65, 4.7)

T2: 24 (2.4, 17.4)

GENERAL DESCRIPTION

FUEL INJECTION (FUEL SYSTEMS)

4. FUEL TANK



FU-00249

GENERAL DESCRIPTION

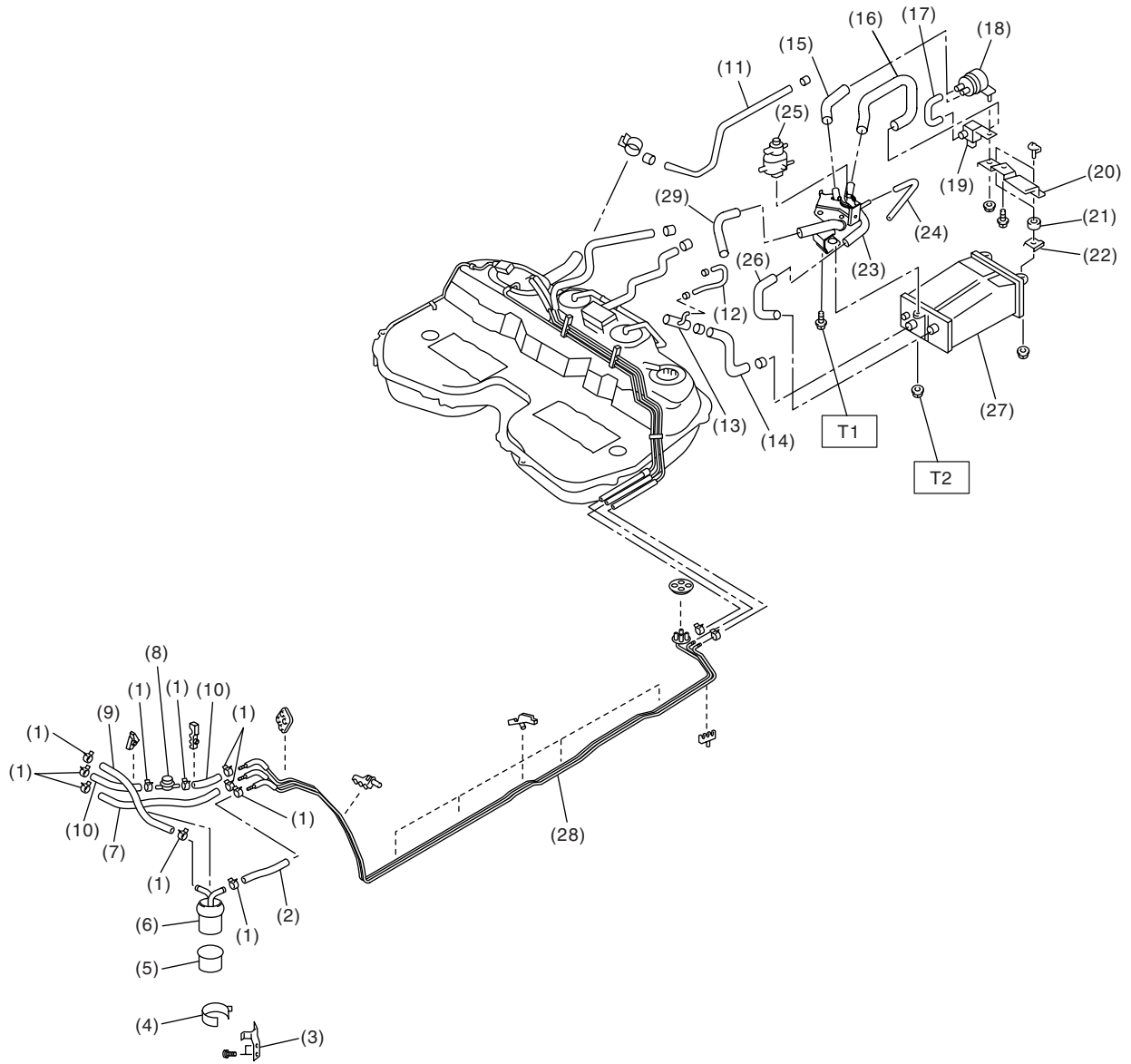
FUEL INJECTION (FUEL SYSTEMS)

(1) Heat shield cover	(15) Evaporation hose C	(29) Jet pump filter
(2) Fuel tank band	(16) Evaporation hose B	(30) Fuel sub level sensor
(3) Protector LH	(17) Evaporation hose D	(31) Protector cover
(4) Protector RH	(18) Evaporation hose E	(32) Vent valve hose
(5) Fuel tank	(19) Evaporation pipe ASSY	(33) Vent valve
(6) Canister hose A	(20) Retainer	(34) Fuel tank pressure sensor
(7) Clamp	(21) Quick connector	(35) Fuel tank pressure sensor hose
(8) Fuel pump gasket	(22) Jet pump hose A	(36) Vent valve gasket
(9) Fuel pump ASSY	(23) Fuel return hose A	(37) Fuel tank sensor control valve
(10) Fuel cut valve gasket	(24) Fuel pipe ASSY	
(11) Fuel cut valve	(25) Jet pump hose B	<hr/> Tightening torque: N·m (kgf-m, ft-lb)
(12) Evaporation hose A	(26) Fuel return hose B	T1: 4.4 (0.45, 3.3)
(13) Clip	(27) Evaporation hose F	T2: 7.4 (0.75, 5.4)
(14) Joint pipe	(28) Fuel sub level sensor gasket	T3: 33 (3.4, 25) <hr/>

GENERAL DESCRIPTION

FUEL INJECTION (FUEL SYSTEMS)

5. FUEL LINE



FU-01227

GENERAL DESCRIPTION

FUEL INJECTION (FUEL SYSTEMS)

(1) Clip	(12) Evaporation hose B	(23) Canister holder
(2) Fuel delivery hose A	(13) Joint pipe	(24) Evaporation hose C
(3) Fuel filter bracket	(14) Canister hose A	(25) Pressure control solenoid valve
(4) Fuel filter holder	(15) Drain filter hose A	(26) Canister hose B
(5) Fuel filter cup	(16) Drain valve hose	(27) Canister
(6) Fuel filter	(17) Drain filter hose B	(28) Fuel pipe ASSY
(7) Evaporation hose	(18) Drain filter	(29) Drain filter hose C
(8) Fuel damper	(19) Drain valve	
(9) Fuel delivery hose B	(20) Canister upper bracket	
(10) Fuel return hose	(21) Cushion rubber	
(11) Evaporation hose A	(22) Canister lower bracket	

Tightening torque: N·m (kgf·m, ft·lb)

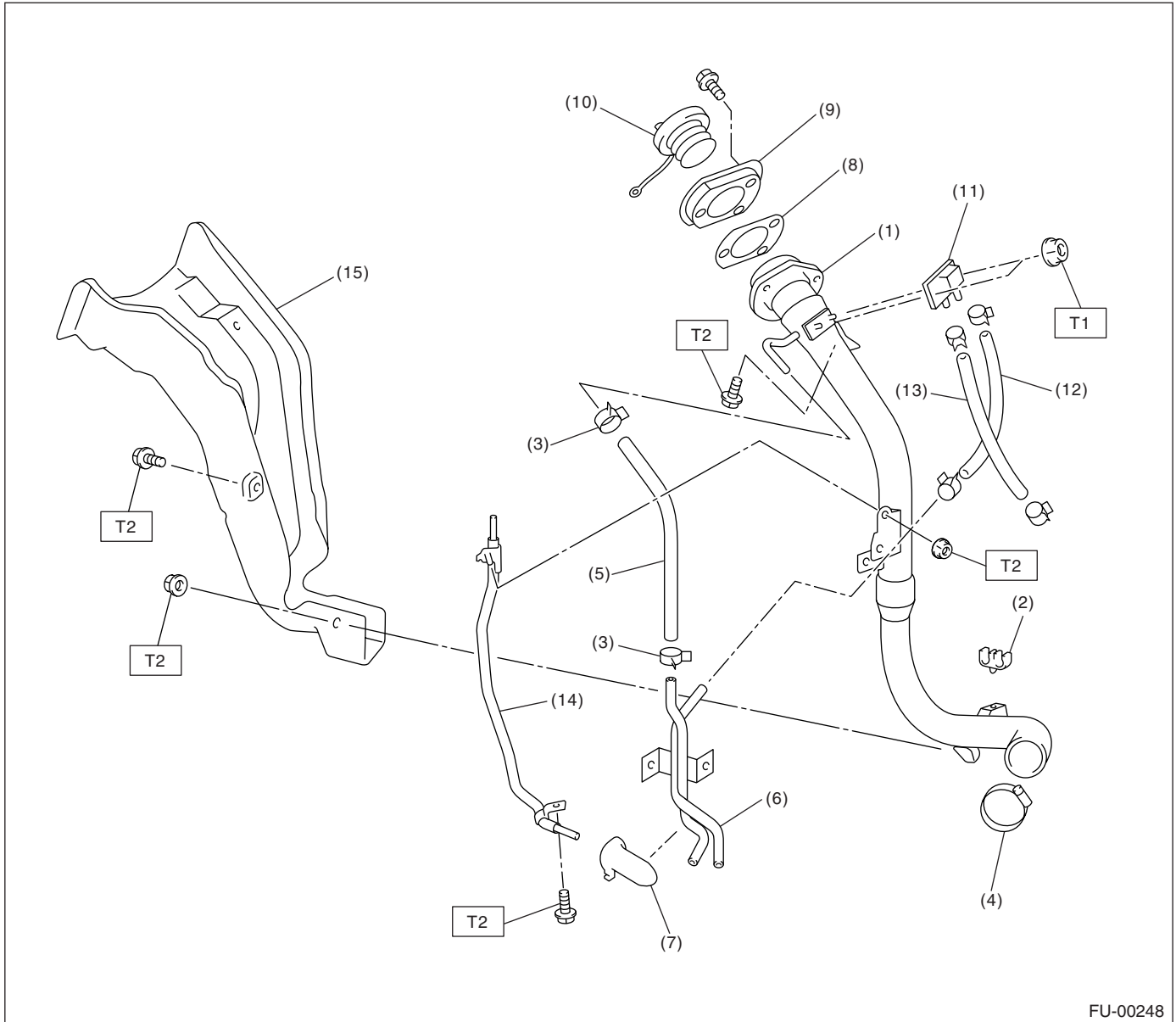
T1: 25 (2.5, 18.1)

T2: 23 (2.3, 16.6)

GENERAL DESCRIPTION

FUEL INJECTION (FUEL SYSTEMS)

6. FUEL FILLER PIPE



- | | | |
|-----------------------------|-------------------------|---------------------------------|
| (1) Fuel filler pipe ASSY | (8) Filler pipe packing | (15) Fuel filler pipe protector |
| (2) Evaporation hose holder | (9) Filler ring | |
| (3) Clip | (10) Filler cap | |
| (4) Clamp | (11) Shut valve | |
| (5) Evaporation hose A | (12) Evaporation hose B | |
| (6) Evaporation pipe | (13) Evaporation hose C | |
| (7) Evaporation pipe holder | (14) Joint pipe | |

Tightening torque: N·m (kgf·m, ft·lb)

T1: 4.4 (0.45, 3.3)

T2: 7.5 (0.76, 5.53)

GENERAL DESCRIPTION

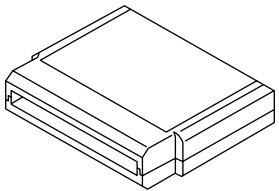

FUEL INJECTION (FUEL SYSTEMS)

C: CAUTION

- Wear working clothing, including a cap, protective goggles, and protective shoes during operation.
- Remove contamination including dirt and corrosion before removal, installation or disassembly.
- Keep the disassembled parts in order and protect them from dust or dirt.
- Before removal, installation or disassembly, be sure to clarify the failure. Avoid unnecessary removal, installation, disassembly, and replacement.

- Be careful not to burn your hands, because each part on the vehicle is hot after running.
- Be sure to tighten fasteners including bolts and nuts to the specified torque.
- Place shop jacks or safety stands at the specified points.
- Before disconnecting electrical connectors of sensors or units, be sure to disconnect negative terminal from battery.
- Place "NO FIRE" signs near the working area.
- Be careful not to spill fuel on the floor.

D: PREPARATION TOOL

ILLUSTRATION	TOOL NUMBER	DESCRIPTION	REMARKS
 ST24082AA230	24082AA230	CARTRIDGE	Troubleshooting for electrical system.
 ST22771AA030	22771AA030	SUBARU SELECT MONITOR KIT	Troubleshooting for electrical systems.