

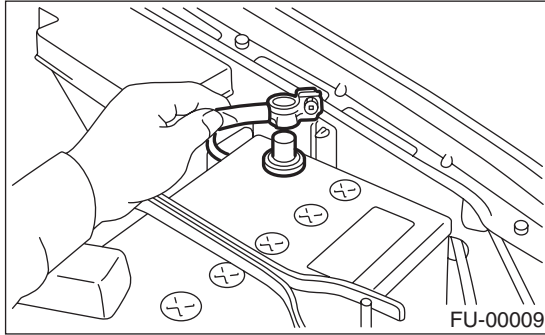
REAR OXYGEN SENSOR

FUEL INJECTION (FUEL SYSTEMS)

15.Rear Oxygen Sensor

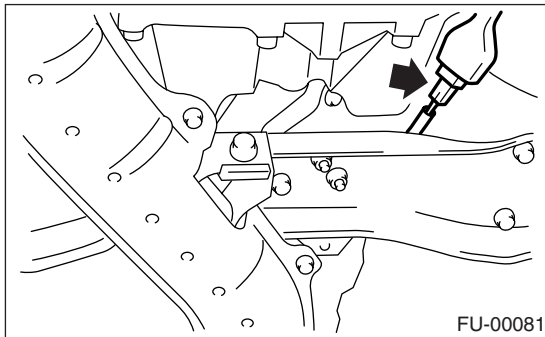
A: REMOVAL

1) Disconnect the ground cable from battery.

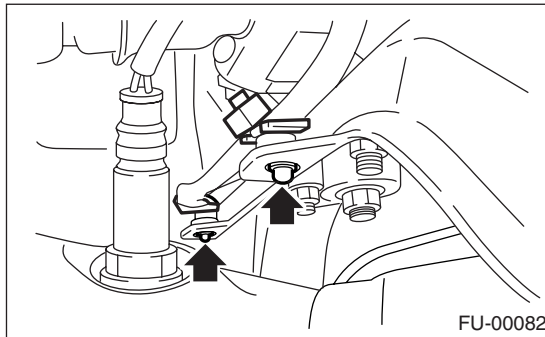


2) Lift-up the vehicle.

3) Disconnect the connector from the rear oxygen sensor.



4) Remove the clip by pulling out from the upper side of crossmember.



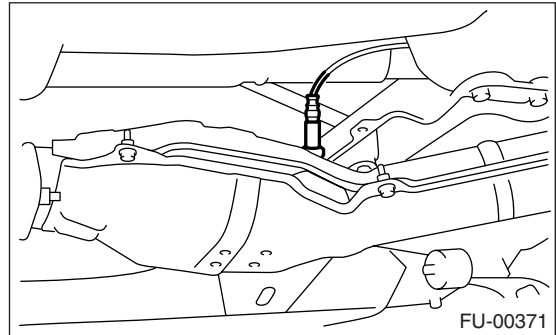
5) Apply SUBARU CRC or its equivalent to the threaded portion of rear oxygen sensor, and leave it for one minute or more.

SUBARU CRC (Part No. 004301003)

6) Remove the rear oxygen sensor.

CAUTION:

When removing the oxygen sensor, wait until exhaust pipe cools; otherwise, it will damage exhaust pipe.



B: INSTALLATION

1) Before installing rear oxygen sensor, apply anti-seize compound only to the threaded portion of rear oxygen sensor to make the next removal easier.

CAUTION:

Never apply anti-seize compound to protector of rear oxygen sensor.

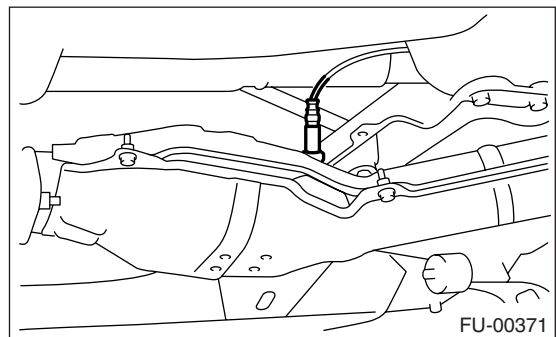
Anti-seize compound:

JET LUBE SS-30

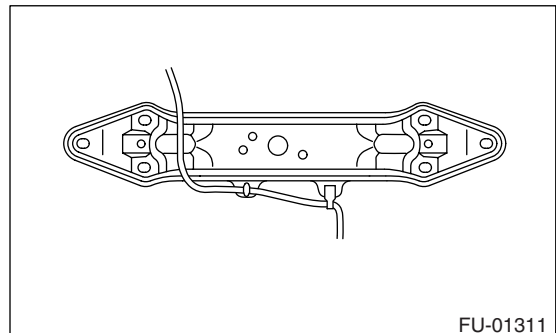
2) Install the rear oxygen sensor.

Tightening torque:

21 N·m (2.1 kgf-m, 15.2 ft-lb)



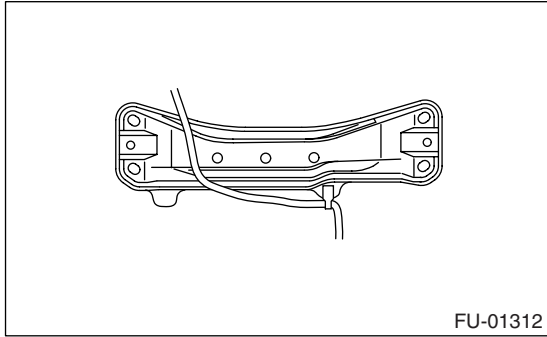
• AT model



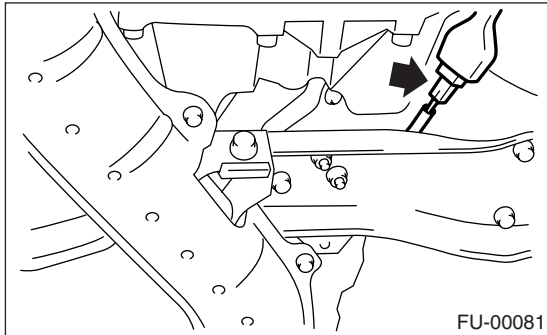
REAR OXYGEN SENSOR

FUEL INJECTION (FUEL SYSTEMS)

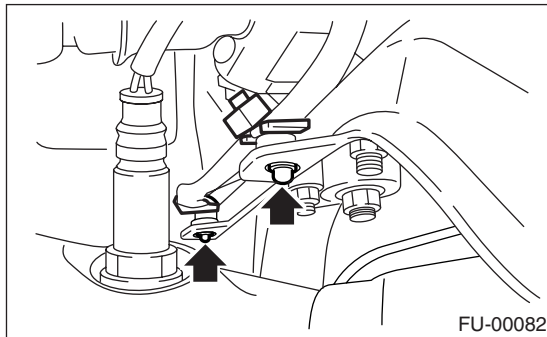
- MT model



- 3) Connect the connector to the rear oxygen sensor.



- 4) Connect the clip to the crossmember.



- 5) Lower the vehicle.
- 6) Connect the battery ground cable to battery.

