

TUMBLE GENERATOR VALVE ACTUATOR

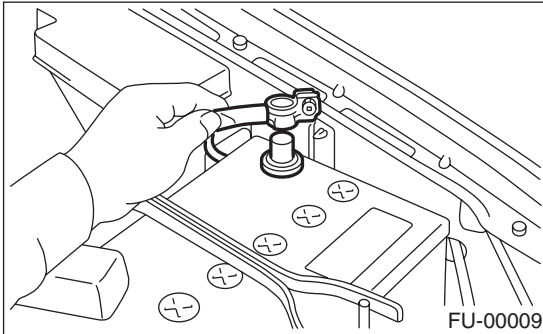
FUEL INJECTION (FUEL SYSTEMS)

12. Tumble Generator Valve Actuator

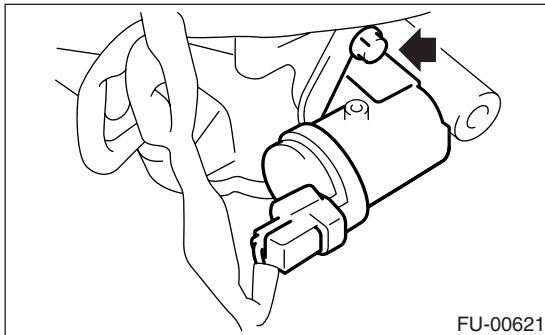
A: REMOVAL

1. RH SIDE

- 1) Release the fuel pressure. <Ref. to FU(H4DOTC)-46, RELEASING OF FUEL PRESSURE, OPERATION, Fuel.>
- 2) Open the fuel filler flap lid and remove the fuel filler cap.
- 3) Disconnect the ground cable from battery.

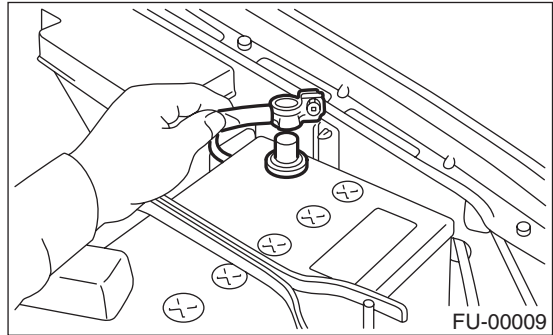


- 4) Remove the intake manifold. <Ref. to FU(H4DOTC)-14, REMOVAL, Intake Manifold.>
- 5) Disconnect the connector from tumble generator valve actuator RH.
- 6) Remove the tumble generator valve actuator RH.

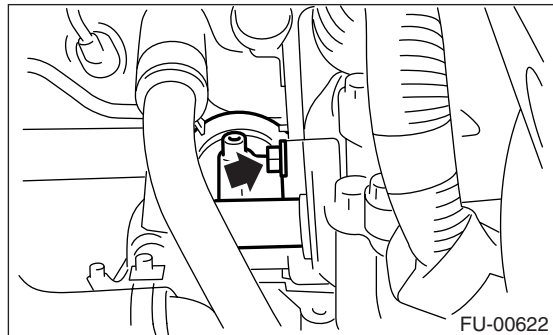


2. LH SIDE

- 1) Release the fuel pressure. <Ref. to FU(H4DOTC)-46, RELEASING OF FUEL PRESSURE, OPERATION, Fuel.>
- 2) Open the fuel filler flap lid and remove the fuel filler cap.
- 3) Disconnect the ground cable from battery.



- 4) Disconnect the connector from tumble generator valve actuator LH.
- 5) Remove the tumble generator valve actuator LH.



B: INSTALLATION

1. RH SIDE

Install in the reverse order of removal.

2. LH SIDE

Install in the reverse order of removal.