

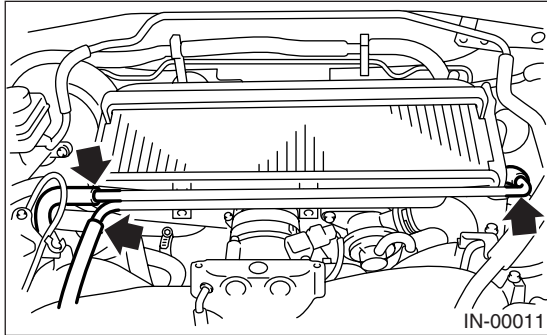
INTERCOOLER

INTAKE (INDUCTION)

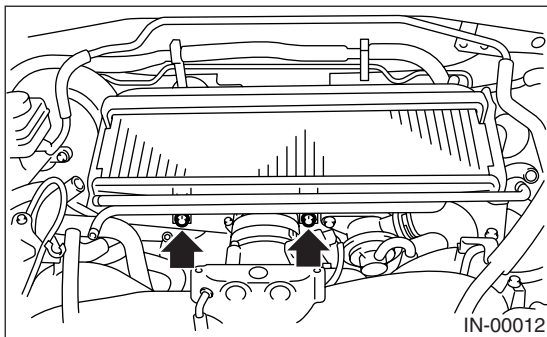
5. Intercooler

A: REMOVAL

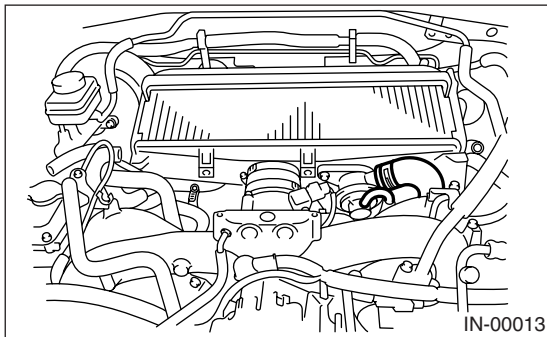
1) Disconnect the PCV hose from PCV pipe.



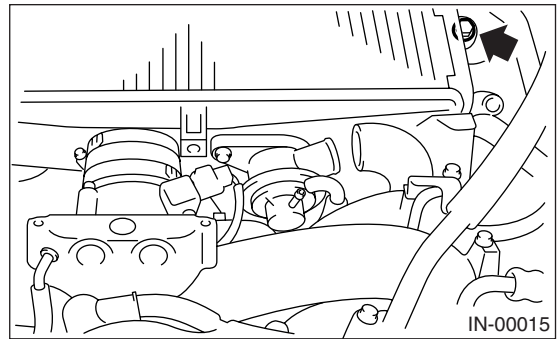
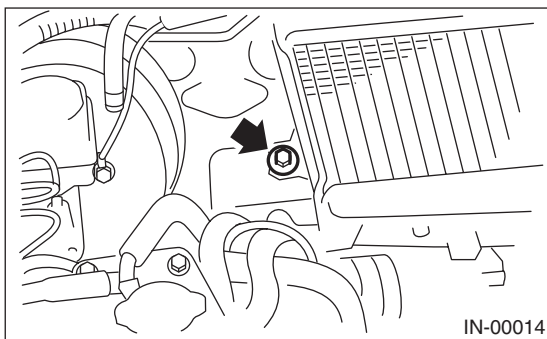
2) Remove the PCV pipe from intercooler.



3) Disconnect the hose from air by-pass valve.

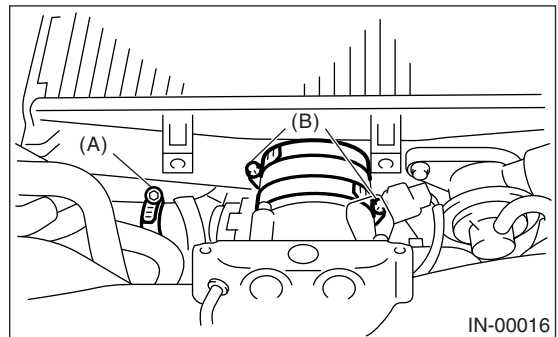


4) Remove the bolts which secure intercooler to bracket.



5) Loosen the clamp (A) which connects turbocharger and intercooler duct.

6) Loosen the clamp (B) which connects throttle body and intercooler.



7) Disconnect the intercooler duct from turbocharger.

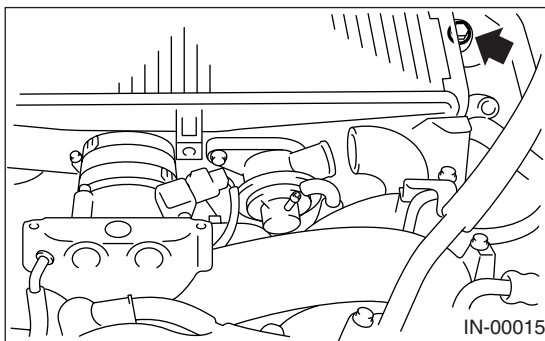
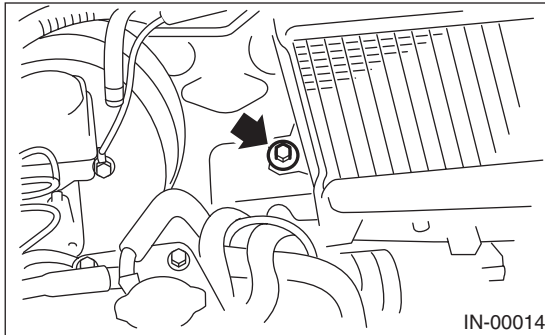
8) Remove the intercooler from throttle body.

B: INSTALLATION

Install in the reverse order of removal.

Tightening torque:

16 N·m (1.6 kgf·m, 11.6 ft·lb)

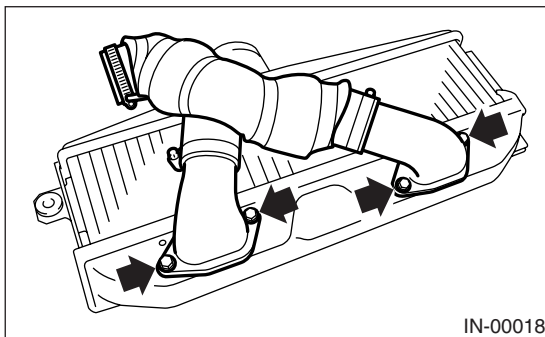


C: DISASSEMBLY

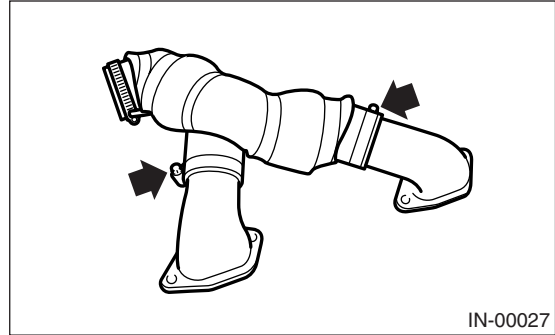
1) Remove the air by-pass valve from intercooler.



2) Remove the intercooler ducts from intercooler.



3) Separate the ducts.



D: ASSEMBLY

Assemble in the reverse order of disassembly.

NOTE:

Install the O-ring in proper position.

Tightening torque:

16 N·m (1.6 kgf·m, 11.6 ft·lb)

