

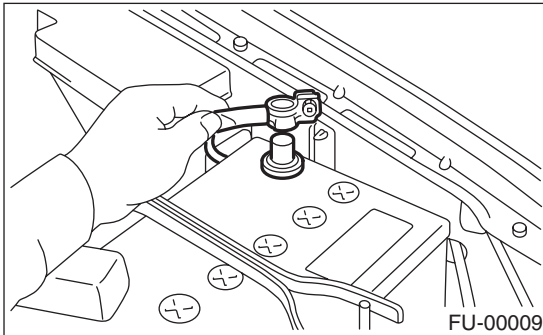
DRAIN VALVE

EMISSION CONTROL (AUX. EMISSION CONTROL DEVICES)

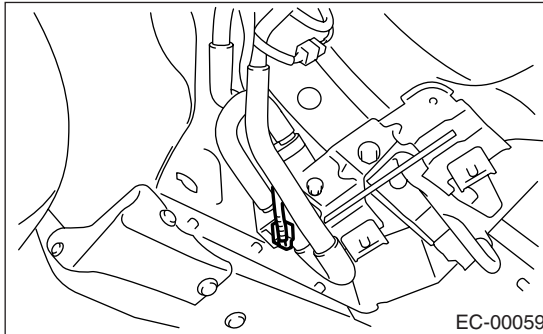
16. Drain Valve

A: REMOVAL

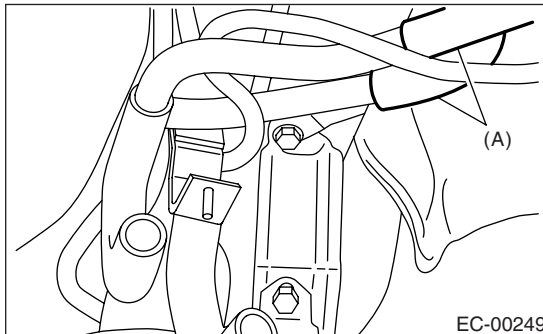
- 1) Set the vehicle on a lift.
- 2) Disconnect the ground cable from battery.



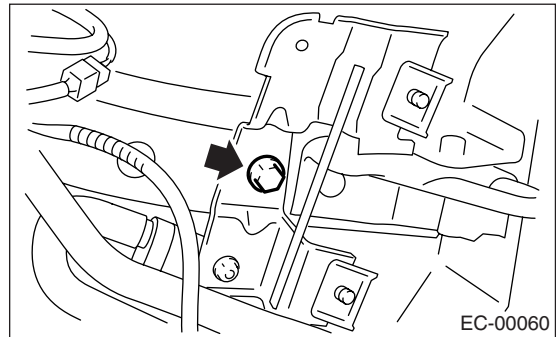
- 3) Lift-up the vehicle.
- 4) Remove the canister. <Ref. to EC(H4SO)-6, REMOVAL, Canister.>
- 5) Disconnect the connector from drain valve.



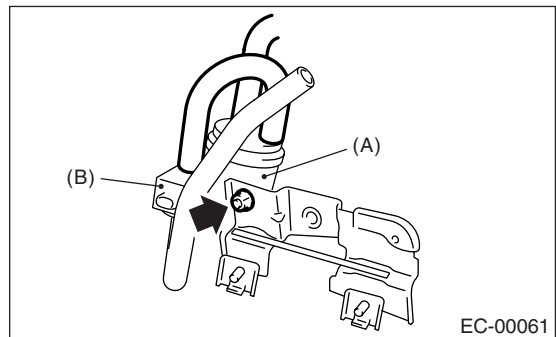
- 6) Disconnect the evaporation hoses (A) from joint pipes.



- 7) Remove the bolt which installs the drain valve and drain valve brackets on body, and remove them as a unit.



- 8) Disconnect the evaporation hoses from drain valve.
- 9) Remove the nuts, and then remove the drain valve.



- (A) Drain filter
- (B) Drain valve

DRAIN VALVE

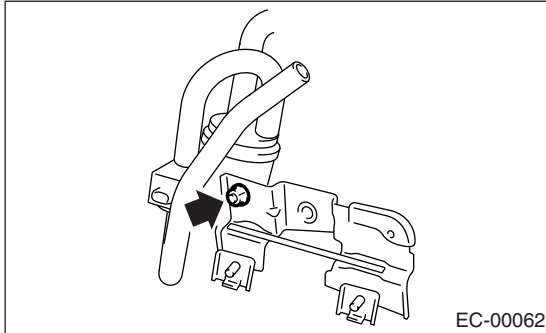
EMISSION CONTROL (AUX. EMISSION CONTROL DEVICES)

B: INSTALLATION

Install in the reverse order of removal.

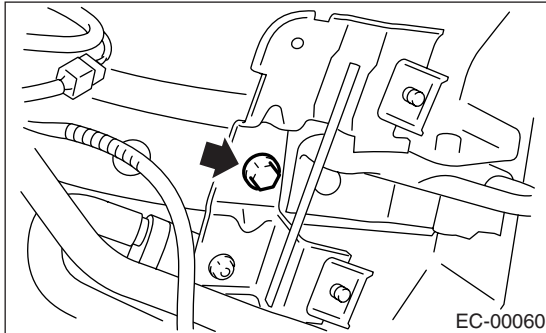
Tightening torque:

18 N·m (1.8 kgf·m, 13.0 ft·lb)



Tightening torque:

33 N·m (3.4 kgf·m, 25 ft·lb)



C: INSPECTION

- 1) Make sure all hoses are installed correctly.
- 2) Make sure the hoses are not cracked or loose.