

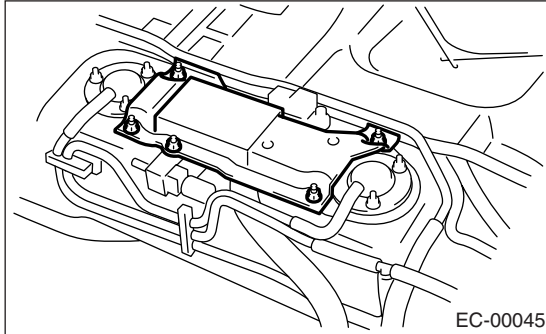
FUEL TANK PRESSURE SENSOR

EMISSION CONTROL (AUX. EMISSION CONTROL DEVICES)

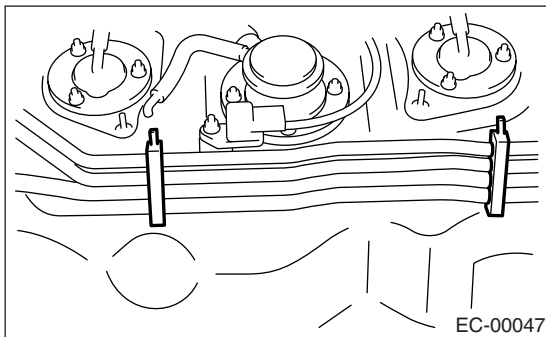
10. Fuel Tank Pressure Sensor

A: REMOVAL

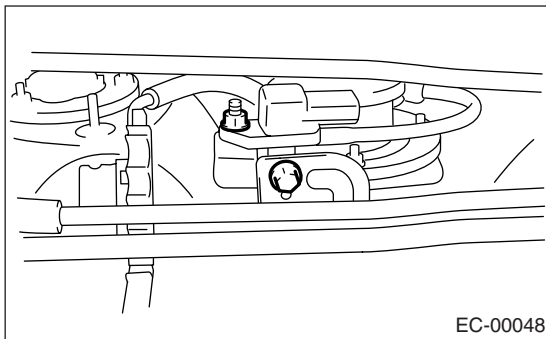
- 1) Remove the fuel tank. <Ref. to FU(H4SO)-50, REMOVAL, Fuel Tank.>
- 2) Remove the protector cover.



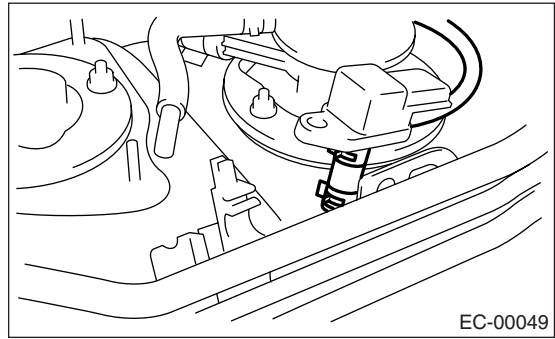
- 3) Disconnect the connector from fuel tank pressure sensor.
- 4) Release the clips which hold fuel pipes onto fuel tank.



- 5) Remove the nuts and bolts which install fuel tank pressure sensor on bracket.



- 6) Disconnect the pressure hose from fuel tank pressure sensor.

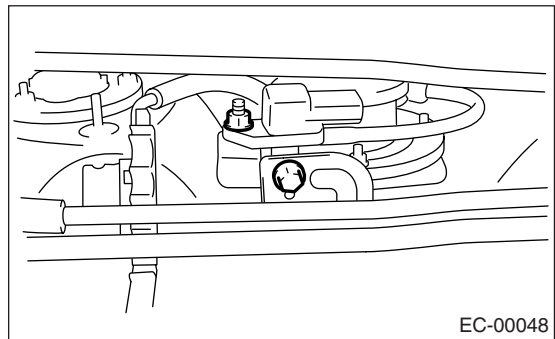


B: INSTALLATION

Install in the reverse order of removal.

Tightening torque:

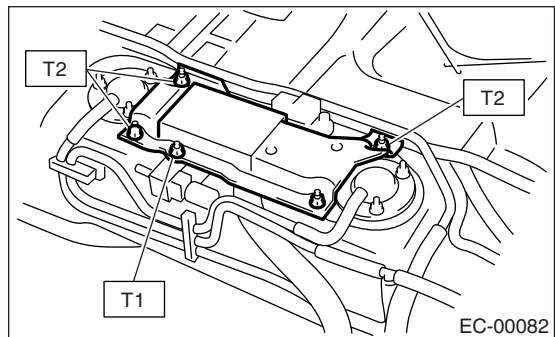
7.4 N·m (0.75 kgf-m, 5.4 ft-lb)



Tightening torque:

T1: 7.4 N·m (0.75 kgf-m, 5.4 ft-lb)

T2: 4.4 N·m (0.45 kgf-m, 3.3 ft-lb)



C: INSPECTION

Make sure the hoses are not cracked or loose.