

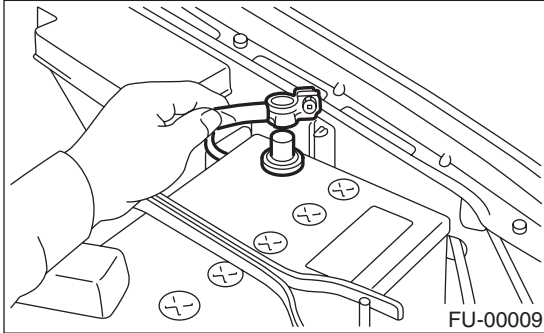
AIR ASSIST INJECTOR SOLENOID VALVE

FUEL INJECTION (FUEL SYSTEMS)

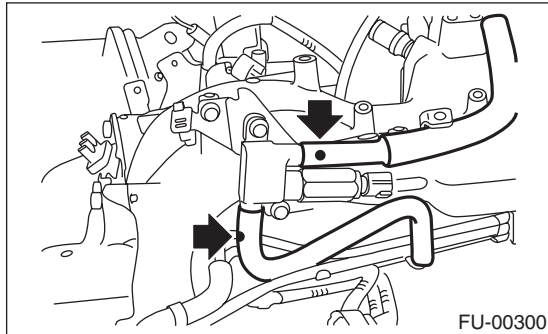
13. Air Assist Injector Solenoid Valve

A: REMOVAL

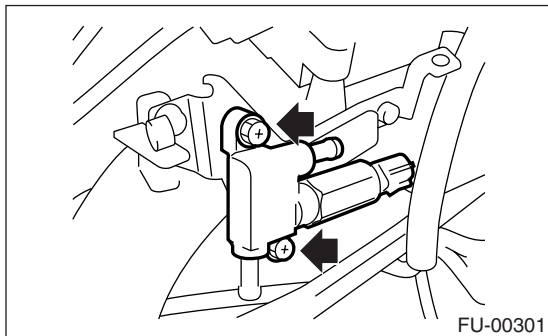
1) Disconnect the ground cable from battery.



2) Disconnect the connector from the air assist injector solenoid valve and disconnect the air by-pass hoses.



3) Remove the air assist injector solenoid valve from the intake manifold.



B: INSTALLATION

Install in the reverse order of removal.

Tightening torque:

6.4 N·m (0.65 kgf-m, 4.7 ft-lb)

