

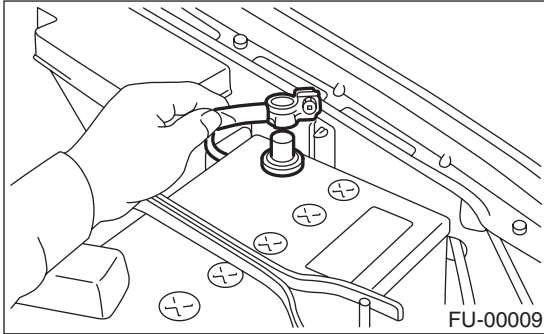
CAMSHAFT POSITION SENSOR

FUEL INJECTION (FUEL SYSTEMS)

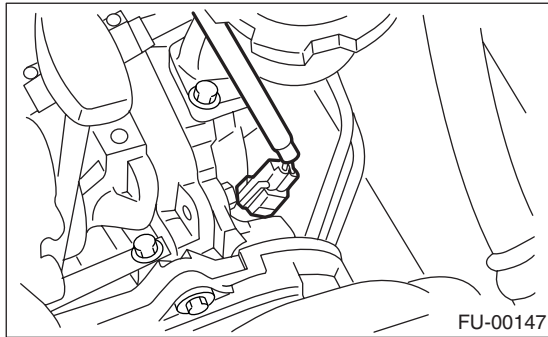
6. Camshaft Position Sensor

A: REMOVAL

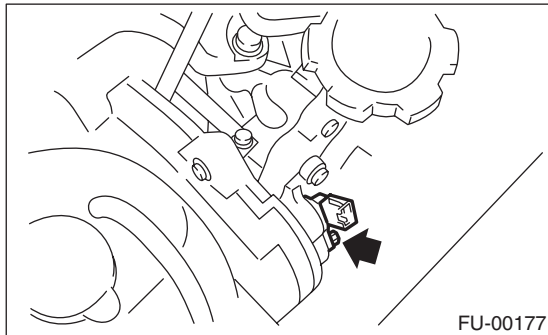
1) Disconnect the ground cable from battery.



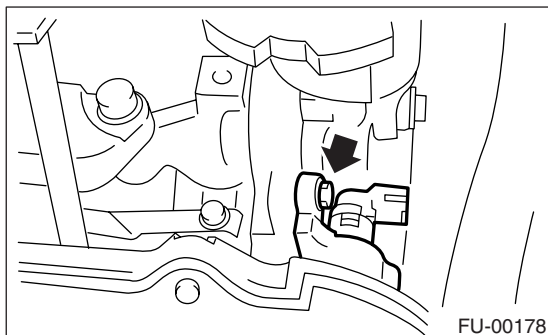
2) Disconnect the connector from the camshaft position sensor.



3) Remove the bolt which installs camshaft position sensor to the camshaft position sensor support.

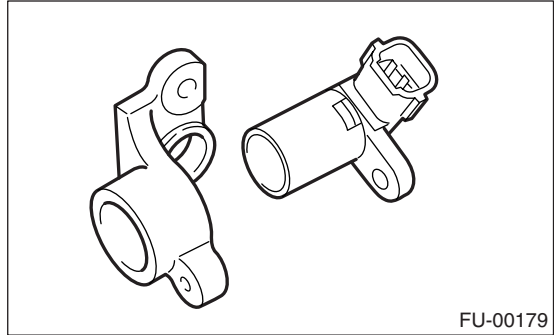


4) Remove the bolt which installs camshaft position sensor support to the camshaft cap LH.



5) Remove the camshaft position sensor and camshaft position sensor support as a unit.

6) Remove the camshaft position sensor.



B: INSTALLATION

Install in the reverse order of removal.

Tightening torque:

- **Camshaft position sensor support;**
6.4 N·m (0.65 kgf-m, 4.7 ft-lb)
- **Camshaft position sensor;**
6.4 N·m (0.65 kgf-m, 4.7 ft-lb)