

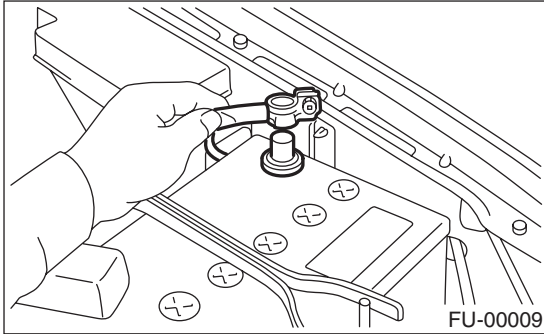
FRONT OXYGEN (A/F) SENSOR

FUEL INJECTION (FUEL SYSTEMS)

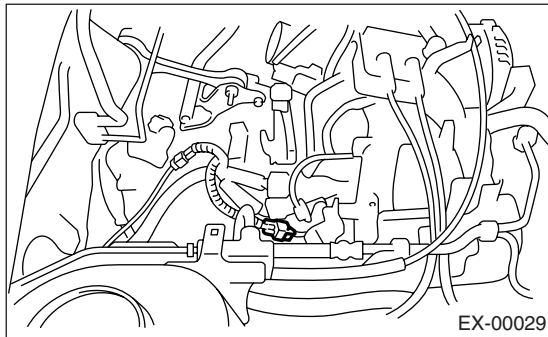
15. Front Oxygen (A/F) Sensor

A: REMOVAL

1) Disconnect the ground cable from battery.



2) Remove the connector from engine hanger, and then disconnect the front oxygen (A/F) sensor connector.



3) Lift-up the vehicle.

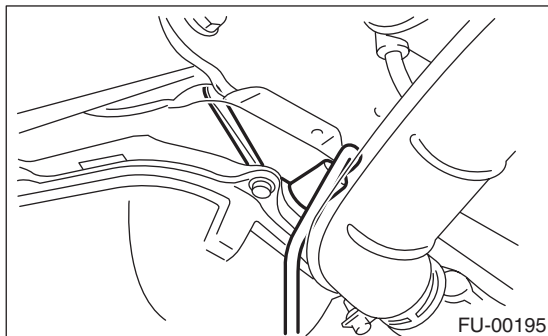
4) Apply SUBARU CRC or its equivalent to the threaded portion of front oxygen (A/F) sensor, and leave it for one minute or more.

SUBARU CRC (Part No. 004301003)

5) Remove the front oxygen (A/F) sensor.

CAUTION:

When removing the oxygen (A/F) sensor, wait until exhaust pipe cools, otherwise it will damage exhaust pipe.



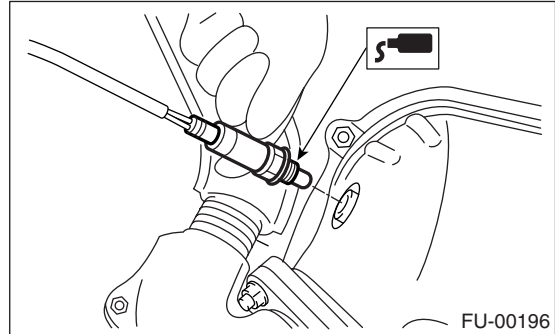
B: INSTALLATION

1) Before installing front oxygen (A/F) sensor, apply the anti-seize compound only to the threaded portion of front oxygen (A/F) sensor to make the next removal easier.

Anti-seize compound:
SS-30 by JET LUBE

CAUTION:

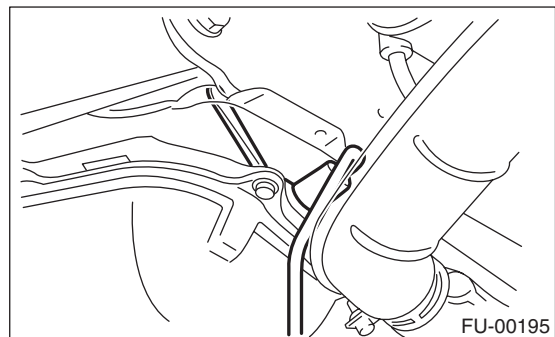
Never apply anti-seize compound to protector of front oxygen (A/F) sensor.



2) Install the front oxygen (A/F) sensor.

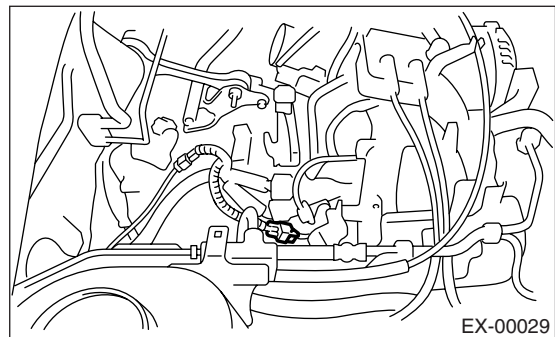
Tightening torque:

21 N·m (2.1 kgf-m, 15.2 ft-lb)



3) Lower the vehicle.

4) Connect the connector to front oxygen (A/F) sensor, and then connect the connector to engine hanger.



FRONT OXYGEN (A/F) SENSOR

FUEL INJECTION (FUEL SYSTEMS)

5) Connect the battery ground cable to battery.

