

23. Fuel Pump

A: REMOVAL

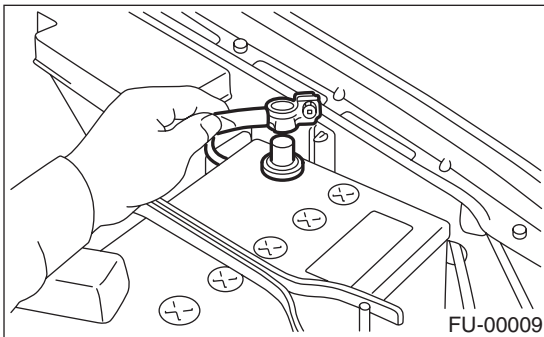
WARNING:

- Place “NO FIRE” signs near the working area.
- Be careful not to spill fuel on the floor.

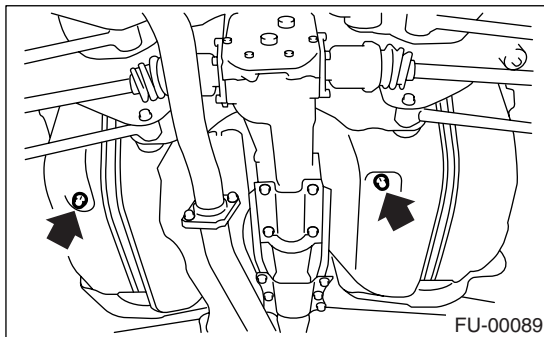
NOTE:

Fuel pump assembly consists of fuel pump and fuel level sensor.

- 1) Release the fuel pressure. <Ref. to FU(H4SO)-49, RELEASING OF FUEL PRESSURE, OPERATION, Fuel.>
- 2) Open the fuel filler flap lid and remove the fuel filler cap.
- 3) Disconnect the ground cable from battery.



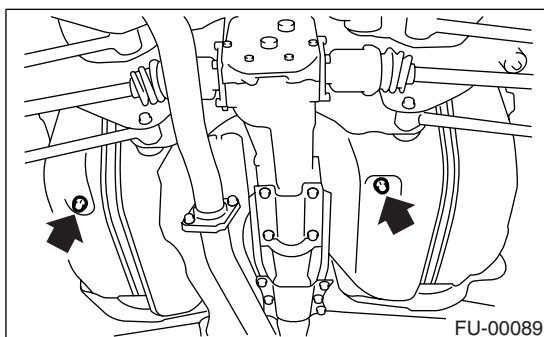
- 4) Lift-up the vehicle.
- 5) Drain the fuel from the fuel tank. Set a container under the vehicle and remove the drain plug from the fuel tank.



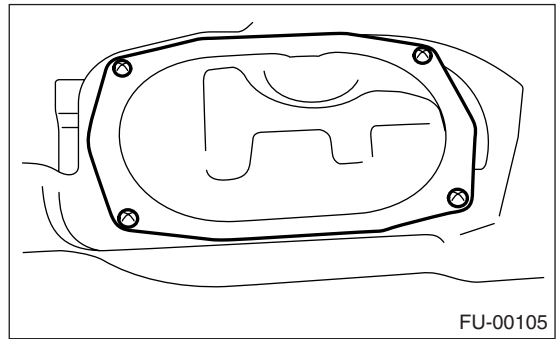
- 6) Tighten the fuel drain plug.

Tightening torque:

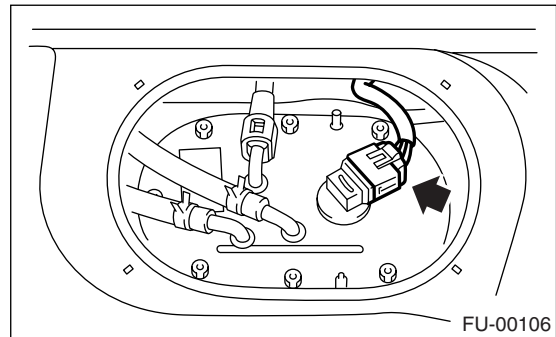
26 N·m (2.65 kgf·m, 19.2 ft·lb)



- 7) Raise the rear seat and turn the floor mat up.
- 8) Remove the access hole lid.

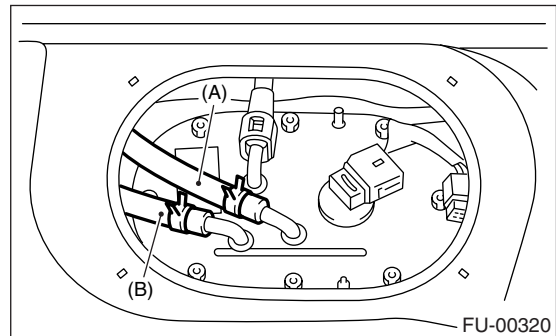


- 9) Disconnect the connector from the fuel pump.

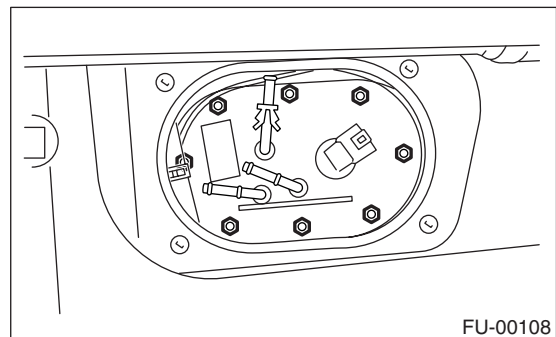


- 10) Disconnect the quick connector and then disconnect the fuel delivery hose. <Ref. to FU(H4SO)-65, REMOVAL, Fuel Delivery, Return and Evaporation Lines.>

- 11) Loosen the clip and then disconnect the fuel return hose (A) and jet pump hose (B).



- 12) Remove the nuts which install the fuel pump assembly onto the fuel tank.



FUEL PUMP

FUEL INJECTION (FUEL SYSTEMS)

13) Take off the fuel pump assembly from the fuel tank.

B: INSTALLATION

Install in the reverse order of removal. Do the following:

NOTE:

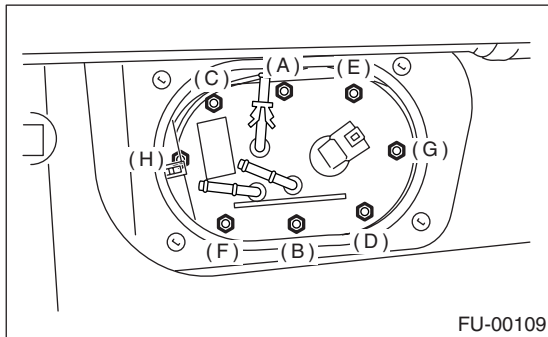
Replace the gasket with a new one.

(1) Ensure the sealing portion is free from fuel or foreign particles before installation.

(2) Tighten the nuts in alphabetical sequence shown in figure to specified torque.

Tightening torque:

4.4 N·m (0.45 kgf-m, 3.3 ft-lb)



C: INSPECTION

Connect the lead harness to the connector terminal of fuel pump and apply the battery power supply to check whether the pump operate.

WARNING:

- Wipe off the fuel completely.
- Keep battery as far apart from fuel pump as possible.
- Be sure to turn the battery supply ON and OFF on the battery side.
- Do not run fuel pump for a long time under non-load condition.

