

20. Fuel

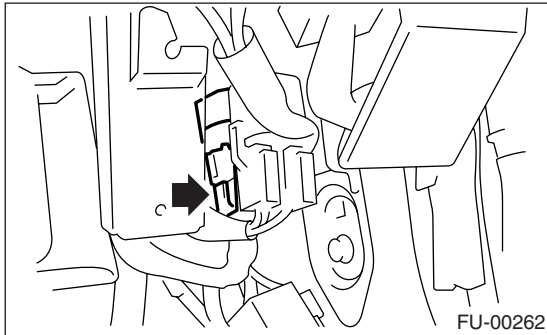
A: OPERATION

1. RELEASING OF FUEL PRESSURE

WARNING:

- Place “NO FIRE” signs near the working area.
- Be careful not to spill fuel on the floor.

- 1) Disconnect the connector from the fuel pump relay.



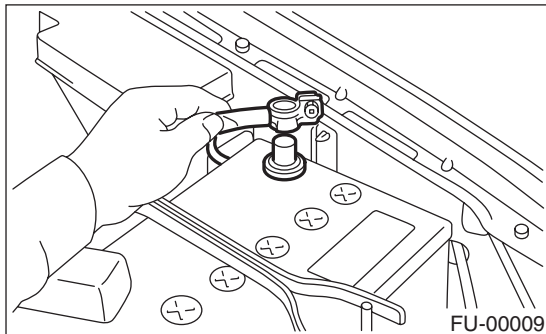
- 2) Start the engine and run it until it stalls.
- 3) After the engine stalls, crank it for five more seconds.
- 4) Turn the ignition switch to OFF.

2. DRAINING FUEL

WARNING:

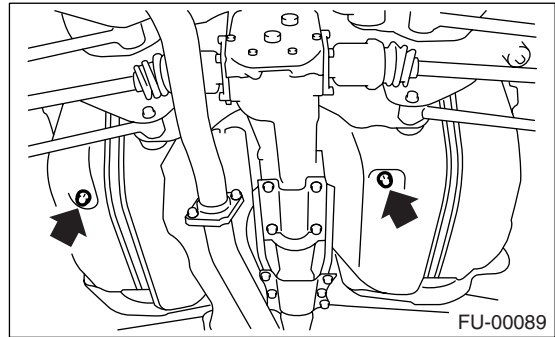
- Place “NO FIRE” signs near the working area.
- Be careful not to spill fuel on the floor.

- 1) Set the vehicle on the lift.
- 2) Disconnect the ground cable from battery.



- 3) Open the fuel filler flap lid, and then remove the fuel filler cap.
- 4) Lift-up the vehicle.

- 5) Drain the fuel from the fuel tank.
Set a container under the vehicle and remove the drain plug from the fuel tank.



- 6) Tighten the fuel drain plug.

Tightening torque:

26 N·m (2.65 kgf·m, 19.2 ft·lb)

