

GENERAL DESCRIPTION

FUEL INJECTION (FUEL SYSTEMS)

1. General Description

A: SPECIFICATIONS

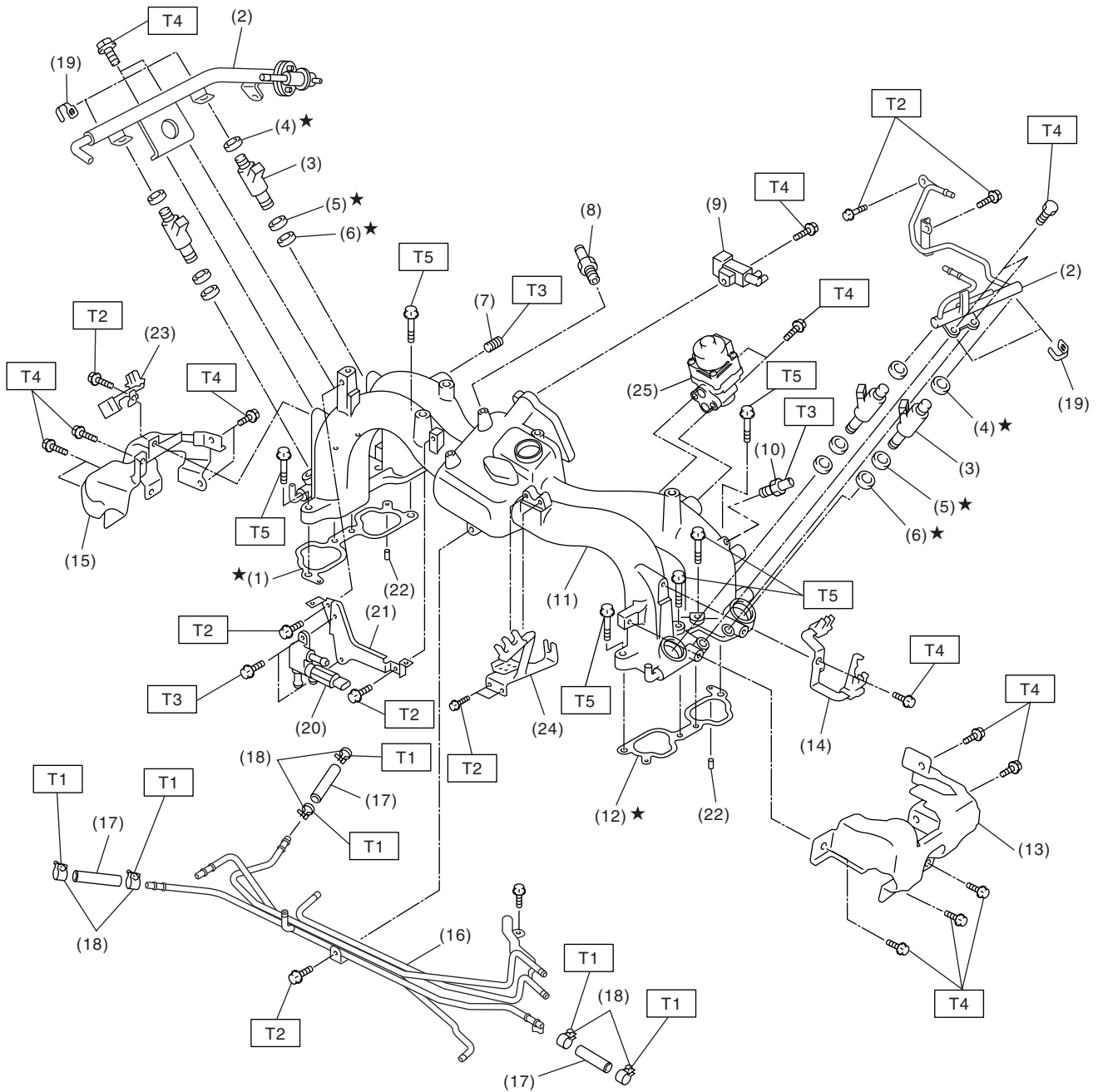
Model		Specification
Fuel tank	Capacity	60 ℓ (15.9 US gal, 13.2 Imp gal)
	Location	Under rear seat
Fuel pump	Type	Impeller
	Shutoff discharge pressure	370 — 677 kPa (3.77 — 6.9 kg/cm ² , 53.6 — 98 psi)
	Discharge flow	More than 65 ℓ (17.2 US gal, 14.3 Imp gal)/h [12 V at 300 kPa (3.06 kg/cm ² , 43.5 psi)]
Fuel filter		Cartridge type

GENERAL DESCRIPTION

FUEL INJECTION (FUEL SYSTEMS)

B: COMPONENT

1. INTAKE MANIFOLD



FU-01226

GENERAL DESCRIPTION

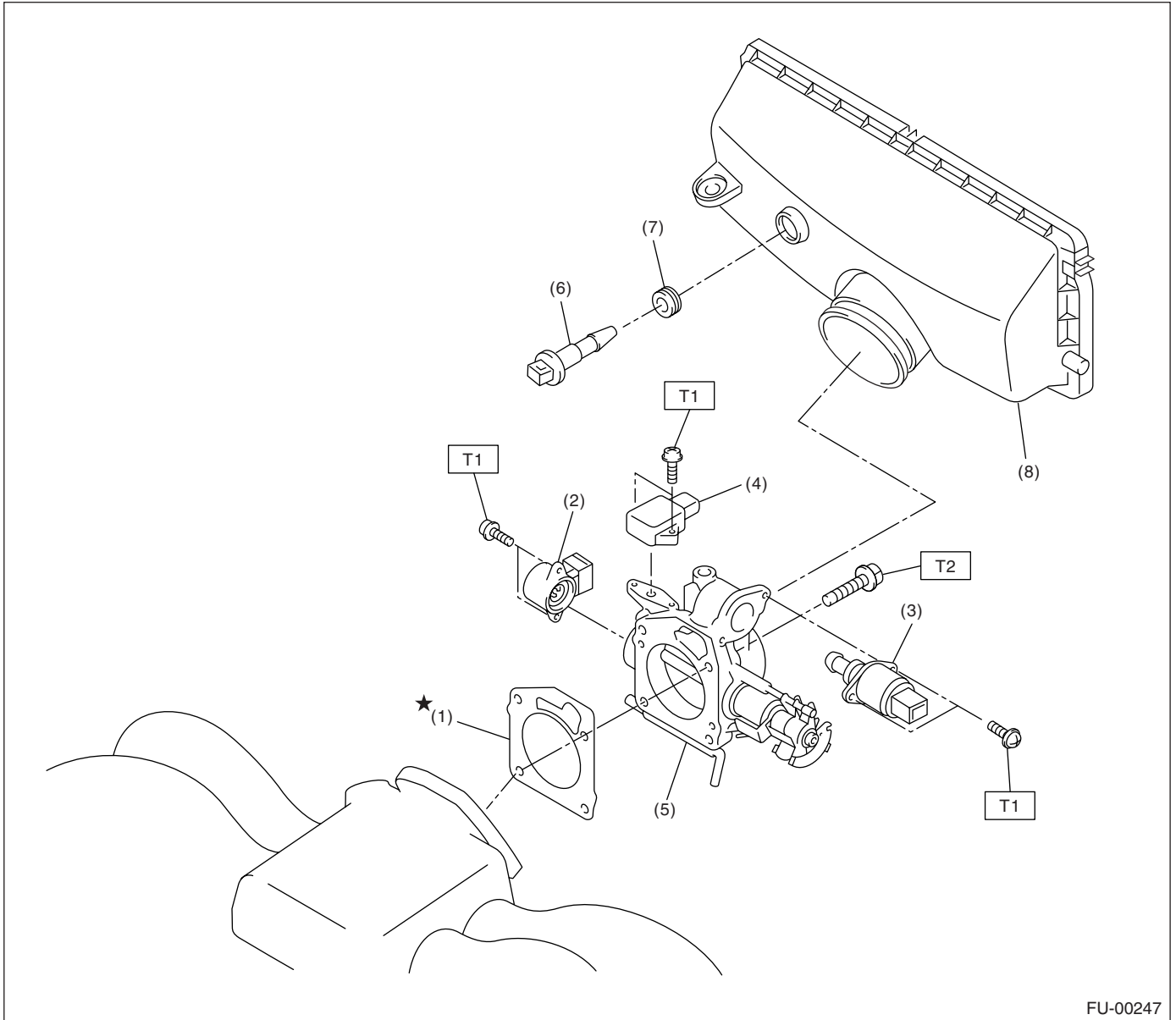
FUEL INJECTION (FUEL SYSTEMS)

(1) Intake manifold gasket RH	(12) Intake manifold gasket LH	(22) Guide pin
(2) Fuel injector pipe	(13) Fuel pipe protector LH	(23) Plug cord holder RH
(3) Fuel injector	(14) Plug cord holder LH	(24) Accelerator cable bracket
(4) O-ring	(15) Fuel pipe protector RH	(25) EGR valve
(5) O-ring	(16) Fuel pipe ASSY	
(6) O-ring	(17) Fuel hose	<hr/> Tightening torque: N·m (kgf-m, ft-lb)
(7) Plug	(18) Clamp	T1: 1.5 (0.15, 1.1)
(8) Nipple	(19) Clip	T2: 5.0 (0.51, 3.7)
(9) Purge control solenoid valve	(20) Air assist injector solenoid valve	T3: 17 (1.7, 12.5)
(10) Nipple	(21) Air assist injector solenoid valve bracket	T4: 19 (1.9, 13.7)
(11) Intake manifold		T5: 25 (2.5, 18.1) <hr/>

GENERAL DESCRIPTION

FUEL INJECTION (FUEL SYSTEMS)

2. AIR INTAKE SYSTEM



FU-00247

- | | |
|---------------------------------------|-----------------------------------|
| (1) Gasket | (5) Throttle body |
| (2) Throttle position sensor | (6) Intake air temperature sensor |
| (3) Idle air control solenoid valve | (7) Grommet |
| (4) Manifold absolute pressure sensor | (8) Air cleaner case |

Tightening torque: N·m (kgf·m, ft·lb)

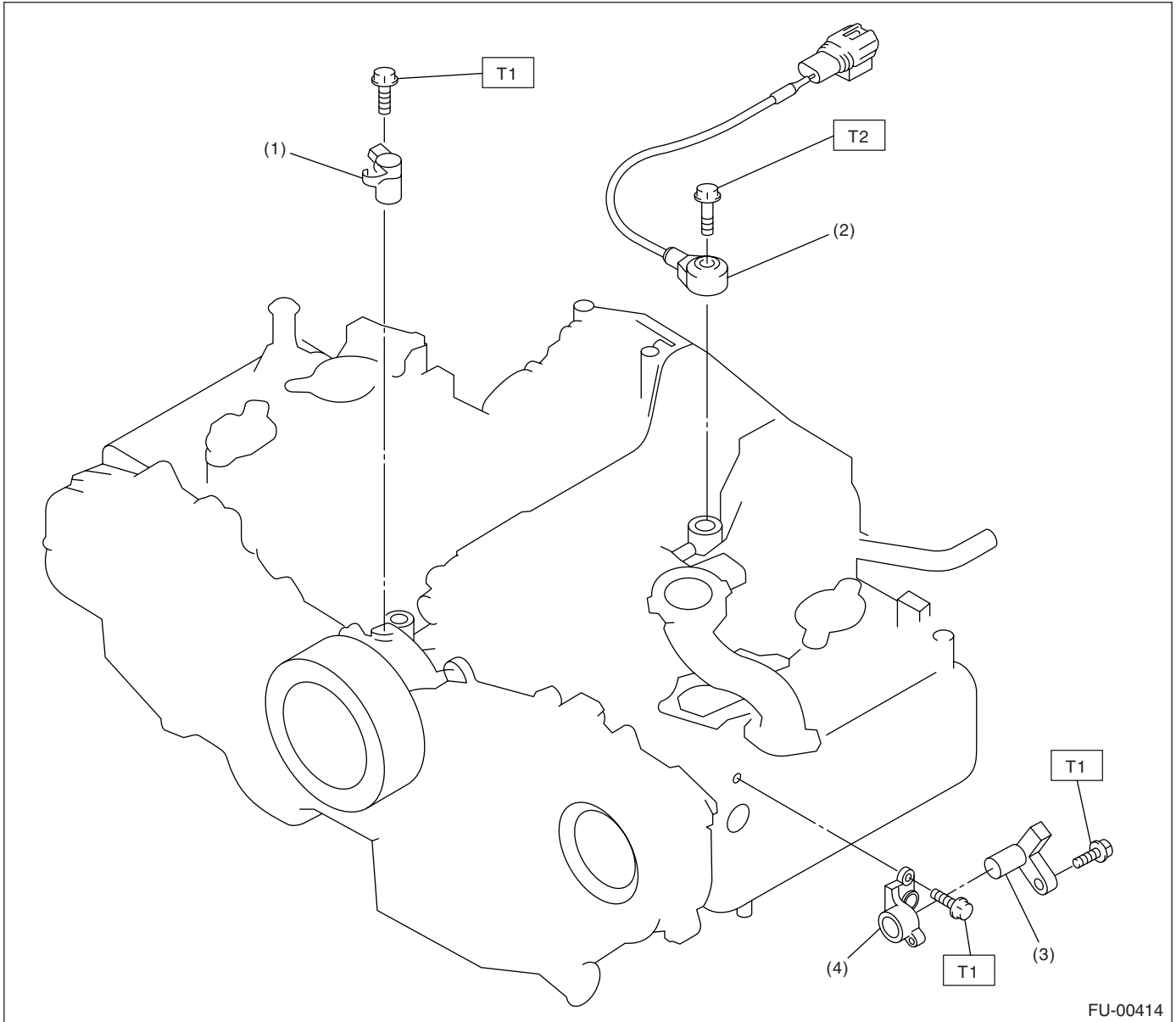
T1: 1.6 (0.16, 1.2)

T2: 22 (2.2, 15.9)

GENERAL DESCRIPTION

FUEL INJECTION (FUEL SYSTEMS)

3. CRANKSHAFT POSITION, CAMSHAFT POSITION AND KNOCK SENSORS



FU-00414

- (1) Crankshaft position sensor
- (2) Knock sensor
- (3) Camshaft position sensor

- (4) Camshaft position sensor support

Tightening torque: N·m (kgf-m, ft-lb)

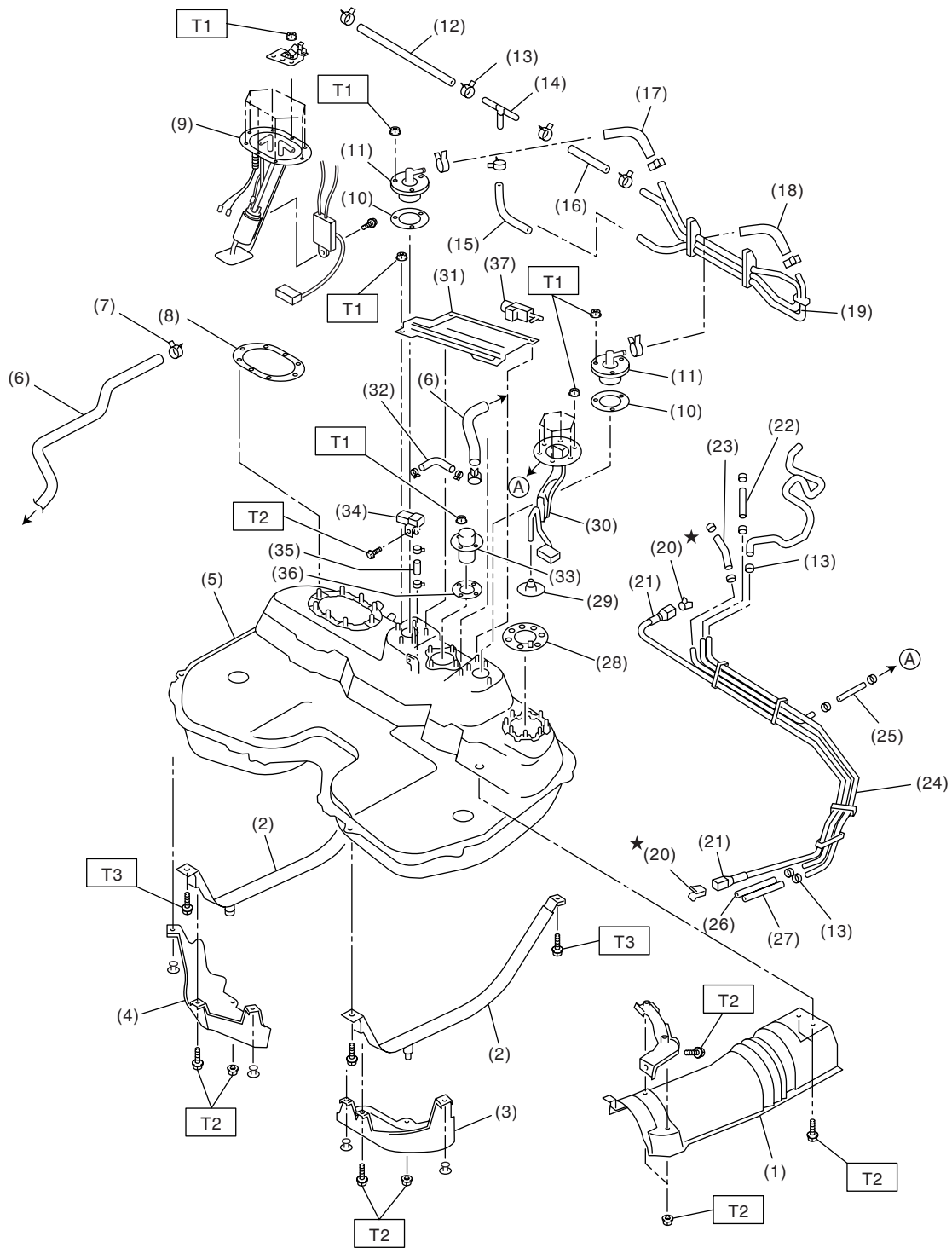
T1: 6.4 (0.65, 4.7)

T2: 24 (2.4, 17.4)

GENERAL DESCRIPTION

FUEL INJECTION (FUEL SYSTEMS)

4. FUEL TANK



FU-00249

GENERAL DESCRIPTION

FUEL INJECTION (FUEL SYSTEMS)

(1) Heat shield cover	(15) Evaporation hose C	(29) Jet pump filter
(2) Fuel tank band	(16) Evaporation hose B	(30) Fuel sub level sensor
(3) Protector LH	(17) Evaporation hose D	(31) Protector cover
(4) Protector RH	(18) Evaporation hose E	(32) Vent valve hose
(5) Fuel tank	(19) Evaporation pipe ASSY	(33) Vent valve
(6) Canister hose A	(20) Retainer	(34) Fuel tank pressure sensor
(7) Clamp	(21) Quick connector	(35) Fuel tank pressure sensor hose
(8) Fuel pump gasket	(22) Jet pump hose A	(36) Vent valve gasket
(9) Fuel pump ASSY	(23) Fuel return hose A	(37) Fuel tank sensor control valve
(10) Fuel cut valve gasket	(24) Fuel pipe ASSY	
(11) Fuel cut valve	(25) Jet pump hose B	<hr/> Tightening torque: N·m (kgf-m, ft-lb)
(12) Evaporation hose A	(26) Fuel return hose B	T1: 4.4 (0.45, 3.3)
(13) Clip	(27) Evaporation hose F	T2: 7.4 (0.75, 5.4)
(14) Joint pipe	(28) Fuel sub level sensor gasket	T3: 33 (3.4, 25) <hr/>

GENERAL DESCRIPTION

FUEL INJECTION (FUEL SYSTEMS)

(1) Clip	(12) Evaporation hose B	(23) Canister holder
(2) Fuel delivery hose A	(13) Joint pipe	(24) Evaporation hose C
(3) Fuel filter bracket	(14) Canister hose A	(25) Pressure control solenoid valve
(4) Fuel filter holder	(15) Drain filter hose A	(26) Canister hose B
(5) Fuel filter cup	(16) Drain valve hose	(27) Canister
(6) Fuel filter	(17) Drain filter hose B	(28) Fuel pipe ASSY
(7) Evaporation hose	(18) Drain filter	(29) Drain filter hose C
(8) Fuel dumper	(19) Drain valve	
(9) Fuel delivery hose B	(20) Canister upper bracket	
(10) Fuel return hose	(21) Cushion rubber	
(11) Evaporation hose A	(22) Canister lower bracket	

Tightening torque: N·m (kgf·m, ft·lb)

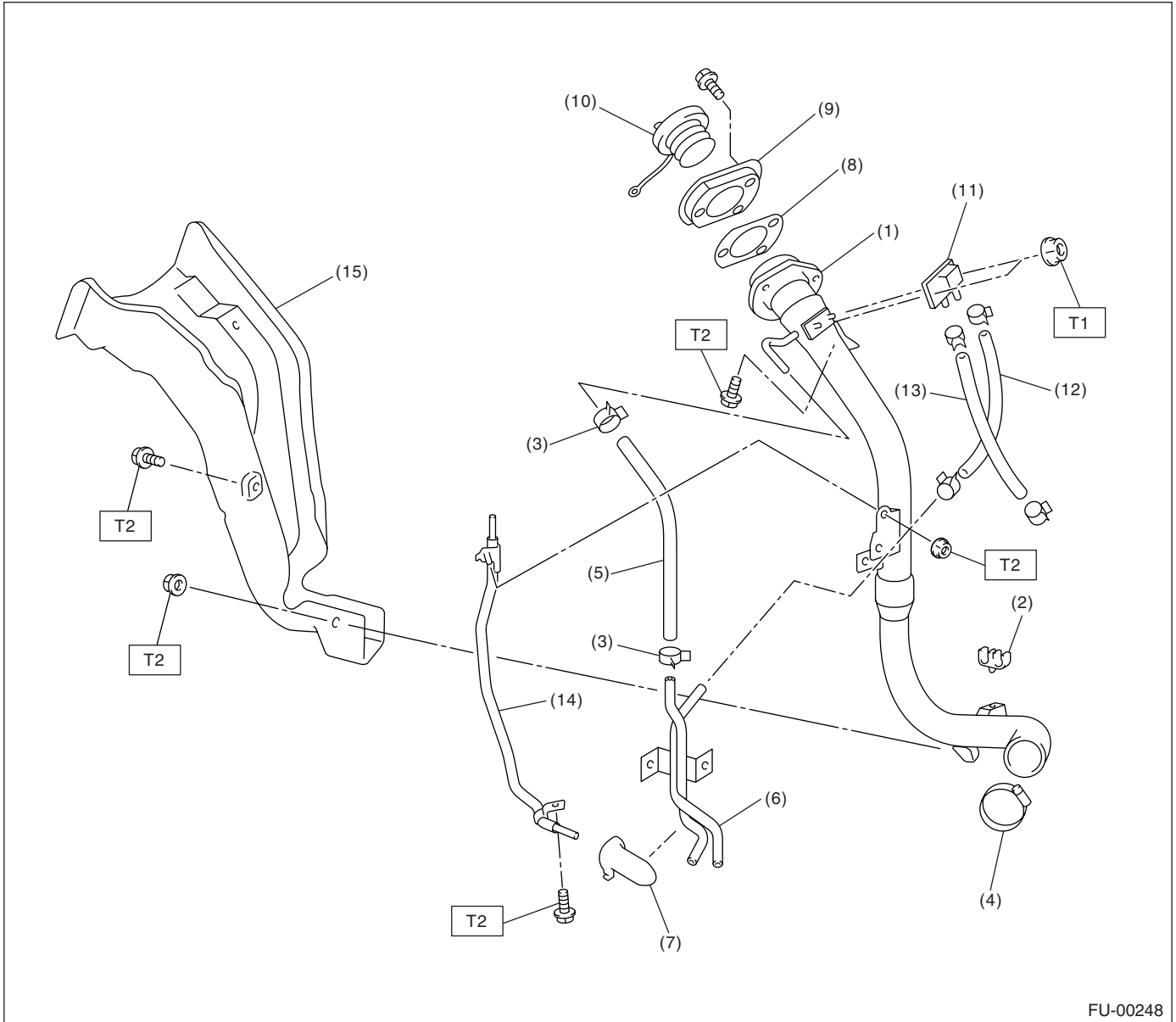
T1: 25 (2.5, 18.1)

T2: 23 (2.3, 16.6)

GENERAL DESCRIPTION

FUEL INJECTION (FUEL SYSTEMS)

6. FUEL FILLER PIPE



FU-00248

- | | | |
|-----------------------------|-------------------------|---------------------------------|
| (1) Fuel filler pipe ASSY | (8) Filler pipe packing | (15) Fuel filler pipe protector |
| (2) Evaporation hose holder | (9) Filler ring | |
| (3) Clip | (10) Filler cap | |
| (4) Clamp | (11) Shut valve | |
| (5) Evaporation hose A | (12) Evaporation hose B | |
| (6) Evaporation pipe | (13) Evaporation hose C | |
| (7) Evaporation pipe holder | (14) Joint pipe | |

Tightening torque: N·m (kgf·m, ft·lb)

T1: 4.4 (0.45, 3.3)

T2: 7.5 (0.76, 5.53)

GENERAL DESCRIPTION

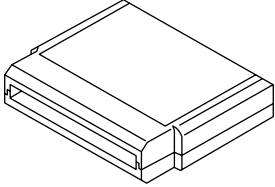

FUEL INJECTION (FUEL SYSTEMS)

C: CAUTION

- Wear working clothing, including a cap, protective goggles, and protective shoes during operation.
- Remove contamination including dirt and corrosion before removal, installation or disassembly.
- Keep the disassembled parts in order and protect them from dust or dirt.
- Before removal, installation or disassembly, be sure to clarify the failure. Avoid unnecessary removal, installation, disassembly, and replacement.

- Be careful not to burn your hands, because each part on the vehicle is hot after running.
- Be sure to tighten fasteners including bolts and nuts to the specified torque.
- Place shop jacks or safety stands at the specified points.
- Before disconnecting electrical connectors of sensors or units, be sure to disconnect negative terminal from battery.
- Place "NO FIRE" signs near the working area.
- Be careful not to spill fuel on the floor.

D: PREPARATION TOOL

ILLUSTRATION	TOOL NUMBER	DESCRIPTION	REMARKS
 ST24082AA230	24082AA230	CARTRIDGE	Troubleshooting for electrical system.
 ST22771AA030	22771AA030	SUBARU SELECT MONITOR KIT	Troubleshooting for electrical systems.