

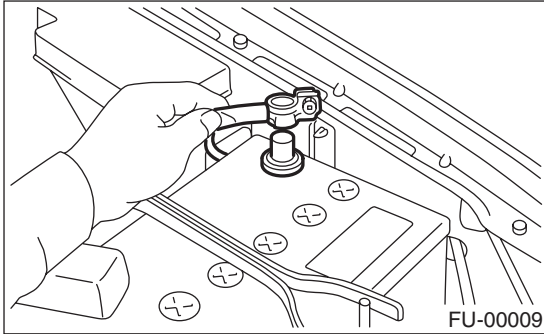
REAR OXYGEN SENSOR

FUEL INJECTION (FUEL SYSTEMS)

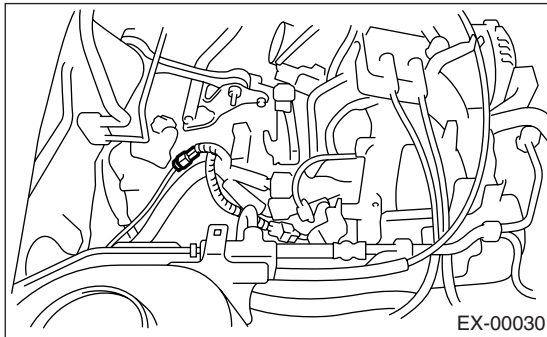
16. Rear Oxygen Sensor

A: REMOVAL

- 1) Disconnect the ground cable from battery.



- 2) Lift-up the vehicle.
- 3) Disconnect the connector from the rear oxygen sensor.



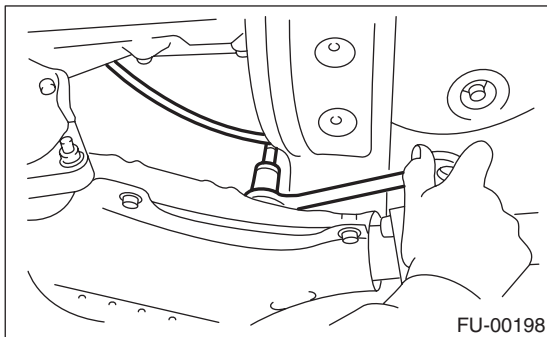
- 4) Apply SUBARU CRC or its equivalent to the threaded portion of rear oxygen sensor, and leave it for one minute or more.

SUBARU CRC (Part No. 004301003)

- 5) Remove the rear oxygen sensor.

CAUTION:

When removing the oxygen sensor, wait until exhaust pipe cools, otherwise it will damage exhaust pipe.



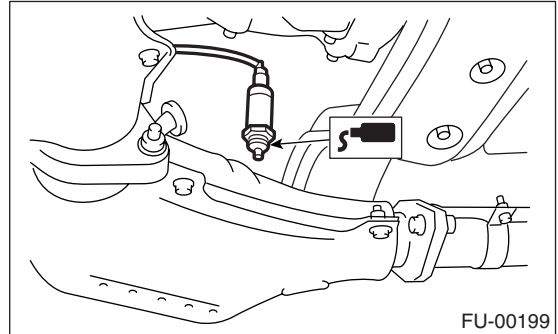
B: INSTALLATION

- 1) Before installing rear oxygen sensor, apply the anti-seize compound only to the threaded portion of rear oxygen sensor to make the next removal easier.

**Anti-seize compound:
SS-30 by JET LUBE**

CAUTION:

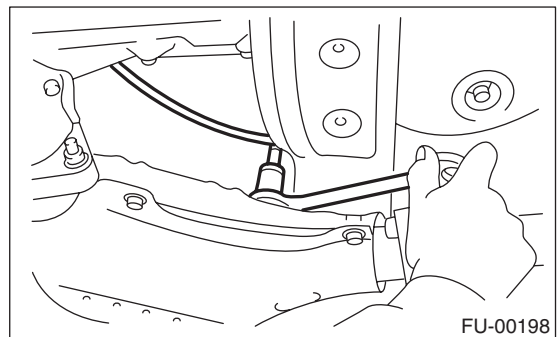
Never apply anti-seize compound to protector of rear oxygen sensor.



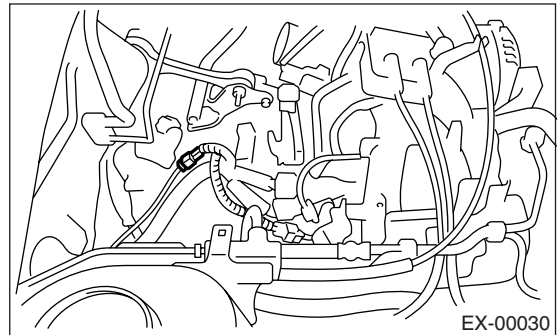
- 2) Install the rear oxygen sensor.

Tightening torque:

21 N·m (2.1 kgf·m, 15.2 ft·lb)



- 3) Connect the connector to the rear oxygen sensor.



- 4) Lower the vehicle.

REAR OXYGEN SENSOR

FUEL INJECTION (FUEL SYSTEMS)

5) Connect the battery ground cable to battery.

