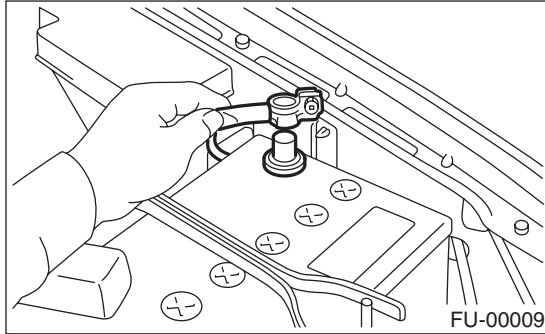


## 2. Throttle Body

### A: REMOVAL

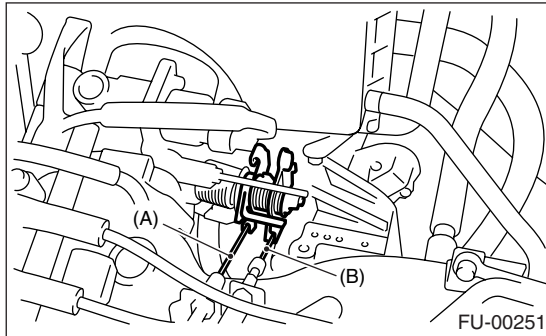
1) Disconnect the ground cable from battery.



2) Remove the air cleaner case. <Ref. to IN(H4SO)-6, REMOVAL, Air Cleaner Case.>

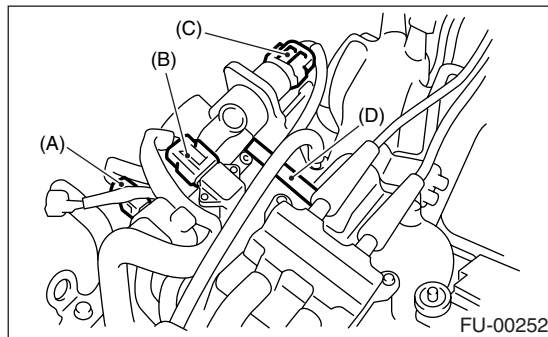
3) Disconnect the accelerator cable (A).

4) Disconnect the cruise control cable (B). (With cruise control model)



5) Disconnect the connectors from idle air control solenoid valve, throttle position sensor and manifold absolute pressure sensor.

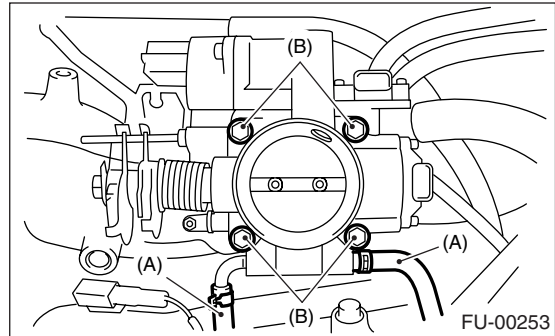
6) Disconnect the air by-pass hose from the throttle body.



- (A) Throttle position sensor
- (B) Manifold absolute pressure sensor
- (C) Idle air control solenoid valve
- (D) Air by-pass hose

7) Disconnect the engine coolant hoses (A) from the throttle body.

8) Remove the bolts (B) which install throttle body to the intake manifold.



### B: INSTALLATION

1) Install in the reverse order of removal.

#### NOTE:

- Replace the gasket with a new one.
- For the tightening torque, refer to "COMPONENT". <Ref. to FU(H4SO)-3, COMPONENT, General Description.>

2) Adjust the accelerator cable play. <Ref. to SP(H4SO)-6, INSTALLATION, Accelerator Control Cable.>