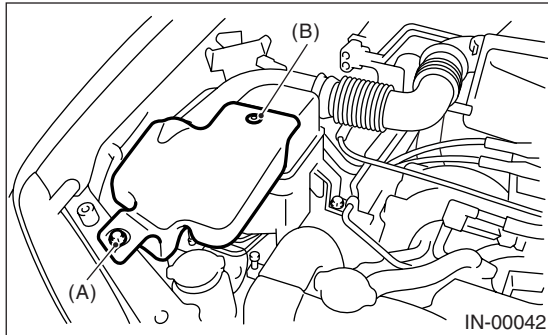


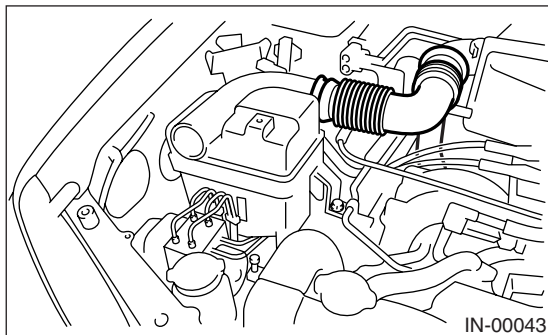
4. Air Intake Duct

A: REMOVAL

- 1) Remove the bolt (A) which installs air intake duct A on the front side of body.
- 2) Remove the clip (B) which connects air intake duct A to resonator chamber.
- 3) Remove the air intake duct A.



- 4) Remove the air intake duct B from resonator chamber and air cleaner case.



B: INSTALLATION

Install in the reverse order of removal.

NOTE:

For tightening torque, refer to "COMPONENT".
 <Ref. to IN(H4SO)-2, COMPONENT, General Description.>

C: INSPECTION

- 1) Inspect for cracks and loose connections.
- 2) Inspect that no foreign objects are mixed in the air intake duct.