

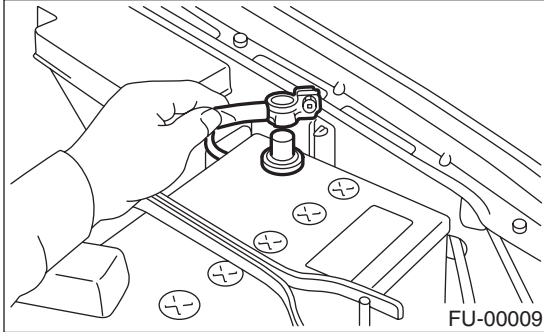
OIL PAN AND STRAINER

LUBRICATION

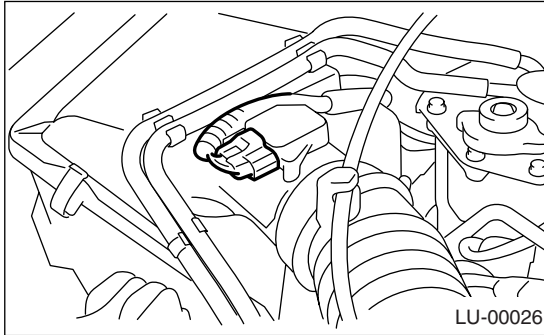
5. Oil Pan and Strainer

A: REMOVAL

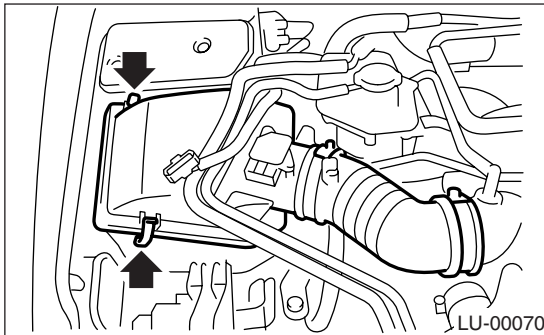
- 1) Set the vehicle on lift arms.
- 2) Remove the front wheels.
- 3) Disconnect the ground cable from battery.



- 4) Remove the air intake duct and air cleaner case. (Non-turbo model) <Ref. to IN(H4SO)-7, REMOVAL, Air Intake Duct.> <Ref. to IN(H4SO)-6, REMOVAL, Air Cleaner Case.>
- 5) Disconnect the connector from mass air flow sensor. (Turbo model)

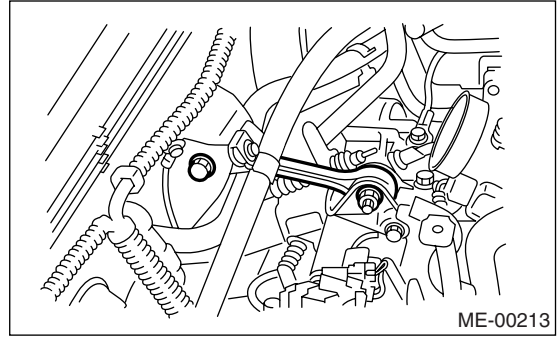


- 6) Remove the air intake boot and air cleaner upper cover. (Turbo model)

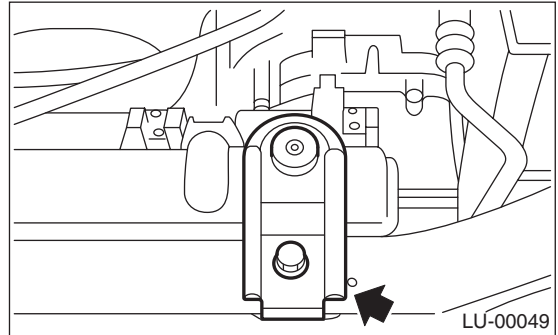


- 7) Remove the intercooler (Turbo model) <Ref. to IN(H4DOTC)-10, REMOVAL, Intercooler.>

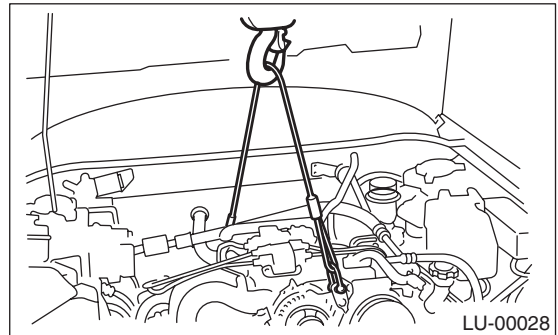
- 8) Remove the pitching stopper.



- 9) Remove the radiator upper brackets.



- 10) Support the engine with a lifting device and wire ropes.

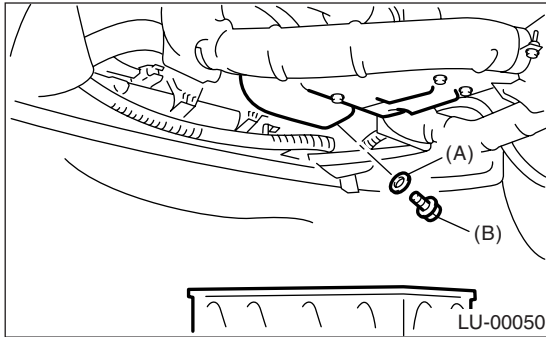


- 11) Lift-up the vehicle.

CAUTION:
When lifting up the vehicle, rise up the wire rope together.

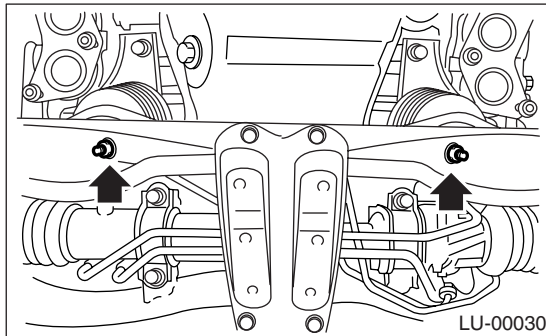
- 12) Remove the under cover.

- 13) Drain the engine oil.
Set a container under the vehicle, and remove the drain plug from oil pan.



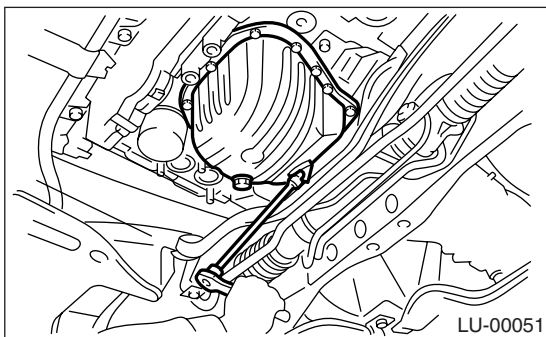
- (A) Gasket
(B) Drain plug

- 14) Remove the front and center exhaust pipes. (Non-turbo model) <Ref. to EX(H4SO)-4, REMOVAL, Front Exhaust Pipe.>
15) Remove the nuts which install front cushion rubber onto front crossmember.

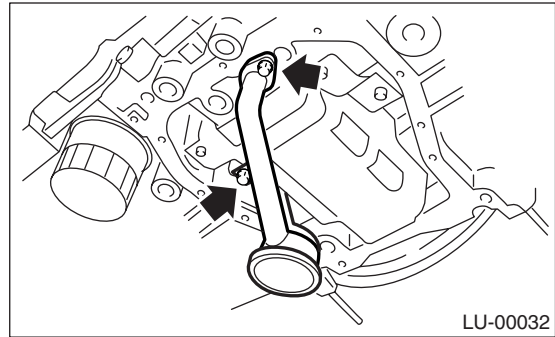


- 16) Remove the bolts which install oil pan on cylinder block while raising up engine.
17) Insert the oil pan cutter blade between the cylinder block-to-oil pan clearance.

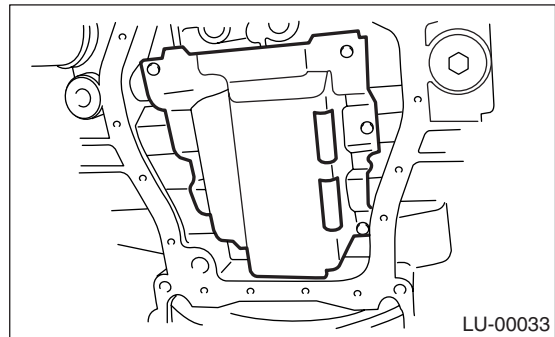
CAUTION:
Do not use a screwdriver or similar tool in place of oil pan cutter.



- 18) Remove the oil strainer.



- 19) Remove the baffle plate.



OIL PAN AND STRAINER

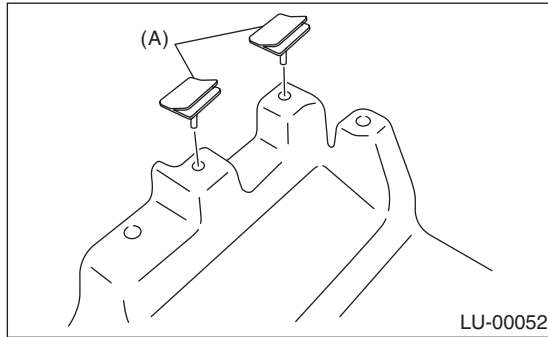
LUBRICATION

B: INSTALLATION

CAUTION:

Before installing the oil pan, clean sealant from oil pan and engine block.

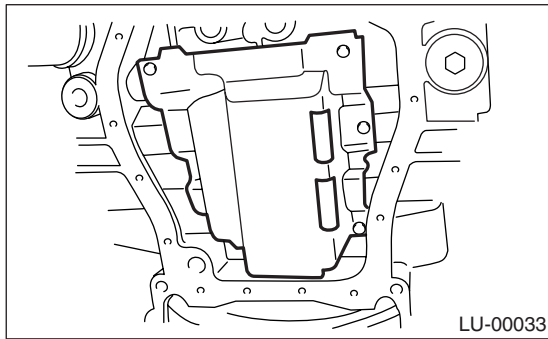
1) Check the seal (A) is securely installed in baffle plate in the direction as shown in the figure. (Non-turbo model)



2) Install the baffle plate.

Tightening torque:

6.4 N·m (0.65 kgf-m, 4.7 ft-lb)



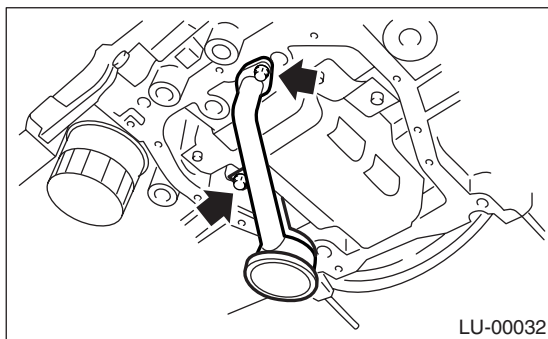
3) Install the oil strainer onto baffle plate.

NOTE:

Replace the O-ring with a new one.

Tightening torque:

10 N·m (1.0 kgf-m, 7.2 ft-lb)

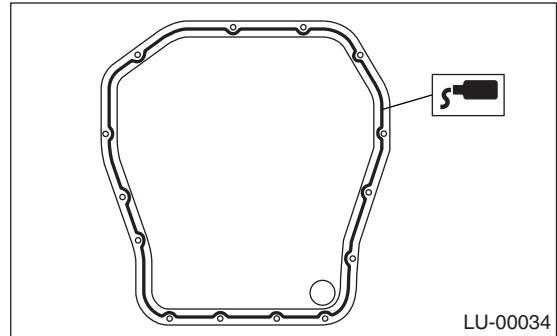


4) Apply liquid gasket to the mating surfaces and install oil pan.

Liquid gasket:

Parts No. 004403007

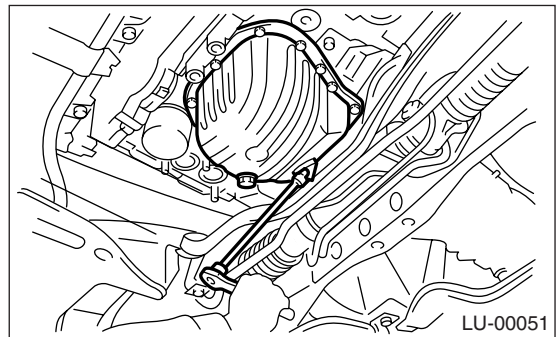
THREE BOND 1215 or equivalent



5) Tighten the bolts which install the oil pan onto engine block.

Tightening torque:

5 N·m (0.5 kgf-m, 3.6 ft-lb)

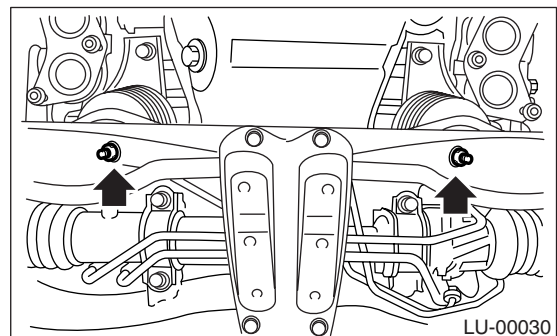


6) Lower the engine onto front crossmember.

7) Tighten the nuts which install front cushion rubber onto front crossmember.

Tightening torque:

69 N·m (7.0 kgf-m, 50.9 ft-lb)



8) Install the front and center exhaust pipes. (Non-turbo model) <Ref. to EX(H4SO)-5, INSTALLATION, Front Exhaust Pipe.>

NOTE:

Always use new gaskets.

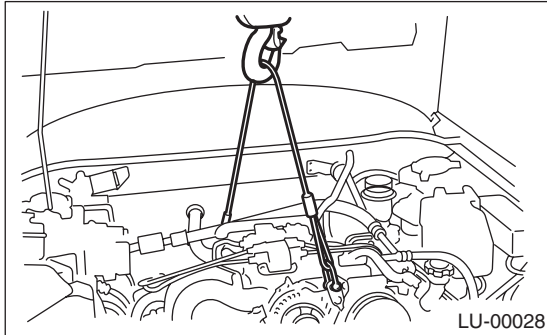
9) Install the under cover.

10) Lower the vehicle.

CAUTION:

When lowering the vehicle, lower the lifting device and wire rope together.

11) Remove the lifting device and steel cables.

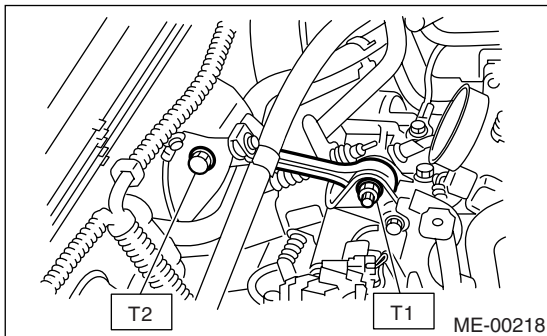


12) Install the pitching stopper.

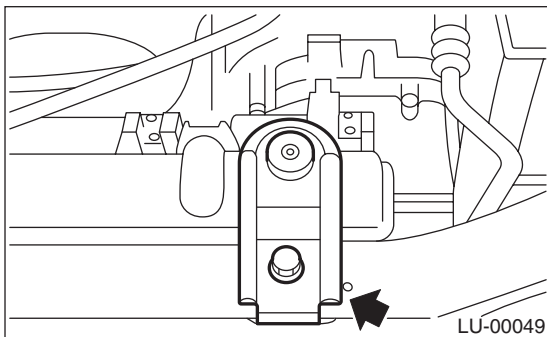
Tightening torque:

T1: 50 N·m (5.1 kgf·m, 36.9 ft·lb)

T2: 58 N·m (5.9 kgf·m, 42.8 ft·lb)



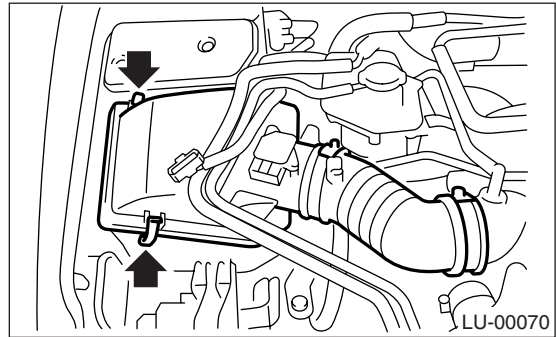
13) Install the radiator upper brackets.



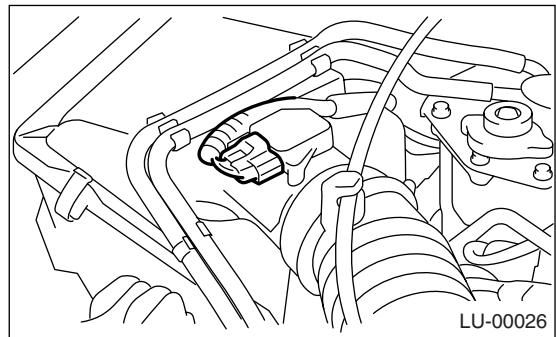
14) Install the air intake duct and air cleaner case. (Non-turbo model) <Ref. to IN(H4SO)-7, INSTALLATION, Air Intake Duct.> <Ref. to IN(H4SO)-6, INSTALLATION, Air Cleaner Case.>

15) Install the intercooler. (Turbo model) <Ref. to IN(H4DOTC)-11, INSTALLATION, Intercooler.>

16) Install the air intake boot and air cleaner upper cover. (Turbo model)

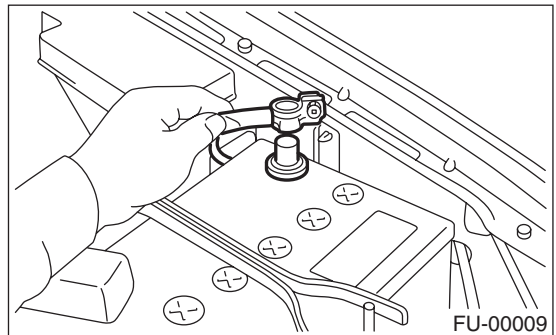


17) Connect the connector to mass air flow sensor. (Turbo model)



18) Install the front wheels.

19) Connect the battery ground cable to battery.



20) Fill engine oil. <Ref. to LU(H4SO)-11, INSPECTION, Engine Oil.>

C: INSPECTION

By visual check make sure the oil pan, oil strainer, oil strainer stay and baffle plate are not damaged.