

## 16. Cam Sprocket

### A: REMOVAL

#### 1. REMOVAL

1) Remove the V-belt. <Ref. to ME(H4SO)-42, REMOVAL, V-belt.>

2) Remove the crank pulley. <Ref. to ME(H4SO)-44, REMOVAL, Crank Pulley.>

3) Remove the timing belt cover. <Ref. to ME(H4SO)-45, REMOVAL, Timing Belt Cover.>

4) Remove the timing belt assembly. <Ref. to ME(H4SO)-46, REMOVAL, Timing Belt Assembly.>

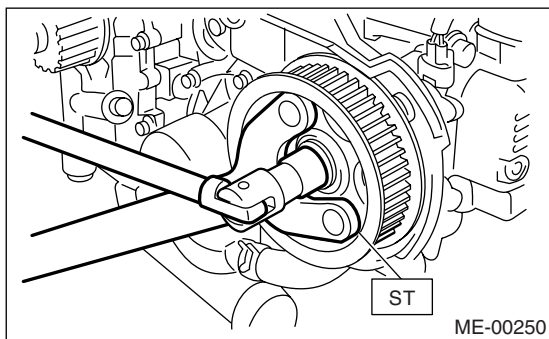
5) Remove the camshaft position sensor. <Ref. to FU(H4SO)-27, REMOVAL, Camshaft Position Sensor.>

6) Remove the cam sprocket No. 2. To lock the camshaft, use ST.

ST 18231AA010 CAM SPROCKET WRENCH

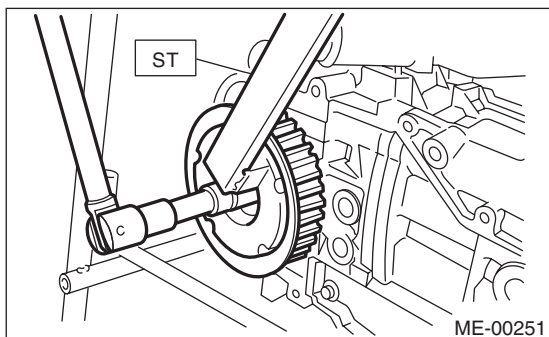
#### NOTE:

Also the CAM SPROCKET WRENCH (499207100) can be used.



7) Remove the cam sprocket No. 1. To lock the camshaft, use ST.

ST 499207400 CAM SPROCKET WRENCH



### B: INSTALLATION

1) Install the cam sprocket No. 1. To lock the camshaft, use ST.

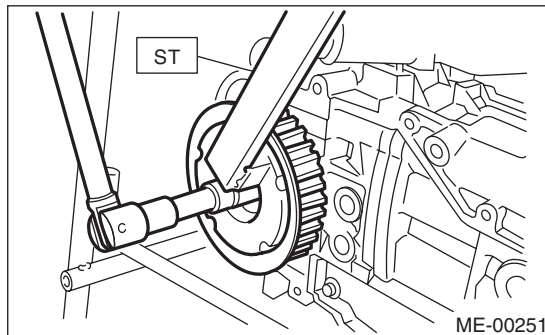
ST 499207400 CAM SPROCKET WRENCH

#### Tightening torque:

**78 N·m (8.0 kgf-m, 57.9 ft-lb)**

#### NOTE:

Do not confuse the right and left side cam sprockets during installation. The cam sprocket No. 2 is identified by a projection used to monitor camshaft position sensor.



2) Install the cam sprocket No. 2. To lock camshaft, use ST.

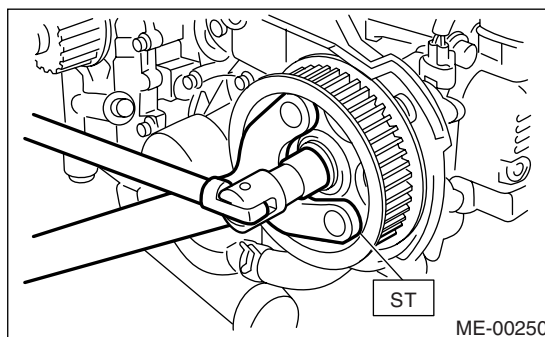
ST 18231AA010 CAM SPROCKET WRENCH

#### NOTE:

Also the CAM SPROCKET WRENCH (499207100) can be used.

#### Tightening torque:

**78 N·m (8.0 kgf-m, 57.9 ft-lb)**



3) Install the camshaft position sensor. <Ref. to FU(H4SO)-27, INSTALLATION, Camshaft Position Sensor.>

4) Install the timing belt assembly. <Ref. to ME(H4SO)-47, INSTALLATION, Timing Belt Assembly.>

5) Install the timing belt cover. <Ref. to ME(H4SO)-45, INSTALLATION, Timing Belt Cover.>

6) Install the crank pulley. <Ref. to ME(H4SO)-44, INSTALLATION, Crank Pulley.>

7) Install the V-belt. <Ref. to ME(H4SO)-42, INSTALLATION, V-belt.>

# CAM SPROCKET

MECHANICAL

---

## **C: INSPECTION**

- 1) Check the sprocket teeth for abnormal wear and scratches.
- 2) Make sure there is no free play between sprocket and key.
- 3) Check the cam sprocket notch for sensor for damage and contamination of foreign matter.