

GENERAL DESCRIPTION

MECHANICAL

1. General Description

A: SPECIFICATIONS

Engine	Model		2.5 L	
	Type		Horizontally opposed, liquid cooled, 4-cylinder, 4-stroke gasoline engine	
	Valve arrangement		Belt driven, single over-head camshaft, 4-valve/cylinder	
	Bore × Stroke		mm (in) 99.5 × 79.0 (3.917 × 3.110)	
	Displacement		cm ³ (cu in) 2,457 (149.94)	
	Compression ratio		10.0	
	Compression pressure (at 200 — 300 rpm)		kPa (kg/cm ² , psi) 1,079 — 1,275 (11.0 — 13.0, 156 — 185)	
	Number of piston rings		Pressure ring: 2, Oil ring: 1	
	Intake valve timing	Opening	1° BTDC	
		Closing	51° ABDC	
	Exhaust valve timing	Opening	50° BBDC	
		Closing	6° ATDC	
	Valve clearance	Intake	mm (in) 0.20±0.02 (0.0079±0.0008)	
		Exhaust	mm (in) 0.25±0.02 (0.0098±0.0008)	
	Idling speed [At neutral position on MT, or "P" or "N" position on AT]	rpm	MT model	650±100 (No load) 850±100 (A/C switch ON)
			AT model	700±100 (No load) 850±100 (A/C switch ON)
Firing order		1 → 3 → 2 → 4		
Ignition timing	BTDC/rpm	MT model	10°±8°/650	
		AT model	15°±8°/700	

NOTE:

STD: Standard I.D.: Inner Diameter O.D.: Outer Diameter US: Undersize OS: Oversize

Belt tensioner adjuster	Protrusion of adjuster rod		5.2 — 6.2 mm (0.205 — 0.244 in)	
Belt tensioner	Spacer O.D.		17.955 — 17.975 mm (0.7069 — 0.7077 in)	
	Tensioner bush I.D.		18.00 — 18.08 mm (0.7087 — 0.7118 in)	
	Clearance between spacer and bush	STD	0.025 — 0.125 mm (0.0010 — 0.0049 in)	
		Limit	0.175 mm (0.0069 in)	
Side clearance of spacer	STD	0.20 — 0.55 mm (0.0079 — 0.0217 in)		
	Limit	0.81 mm (0.0319 in)		
Valve rocker arm	Clearance between shaft and arm	STD	0.020 — 0.054 mm (0.0008 — 0.0021 in)	
		Limit	0.10 mm (0.0039 in)	
Camshaft	Bend limit		0.025 mm (0.0010 in)	
	Thrust clearance	STD	0.030 — 0.090 mm (0.0012 — 0.0035 in)	
		Limit	0.10 mm (0.0039 in)	
	Cam lobe height	Intake	STD	39.485 — 39.585 mm (1.5545 — 1.5585 in)
			Limit	39.385 mm (1.5506 in)
		Exhaust	STD	39.257 — 39.357 mm (1.5455 — 1.5495 in)
			Limit	39.157 mm (1.5416 in)
	Camshaft journal O.D.		31.928 — 31.945 mm (1.2570 — 1.2577 in)	
Camshaft journal hole I.D. (Cylinder head)		32.000 — 32.018 mm (1.2598 — 1.2605 in)		
Oil clearance	STD	0.055 — 0.090 mm (0.0022 — 0.0035 in)		
	Limit	0.10 mm (0.0039 in)		

GENERAL DESCRIPTION

MECHANICAL

Cylinder head	Surface warpage limit (mating with cylinder block)			0.05 mm (0.0020 in)	
	Surface grinding limit			0.1 mm (0.004 in)	
	Standard height			97.5 mm (3.84 in)	
Valve seat	Refacing angle			90°	
	Contacting width	Intake	STD	1.1 mm (0.043 in)	
			Limit	1.8 mm (0.071 in)	
		Exhaust	STD	1.5 mm (0.059 in)	
			Limit	2.2 mm (0.087 in)	
Valve guide	Inner diameter			6.000 — 6.012 mm (0.2362 — 0.2367 in)	
	Protrusion above head		Intake	20.0 — 20.5 mm (0.787 — 0.807 in)	
			Exhaust	16.5 — 17.0 mm (0.650 — 0.669 in)	
Valve	Head edge thickness	Intake	STD	1.0 mm (0.039 in)	
			Limit	0.6 mm (0.024 in)	
		Exhaust	STD	1.2 mm (0.047 in)	
			Limit	0.6 mm (0.024 in)	
	Stem diameter		Intake	5.950 — 5.965 mm (0.2343 — 0.2348 in)	
			Exhaust	5.945 — 5.960 mm (0.2341 — 0.2346 in)	
	Stem oil clearance		STD	Intake 0.035 — 0.062 mm (0.0014 — 0.0024 in)	
			Limit	Exhaust 0.040 — 0.067 mm (0.0016 — 0.0026 in)	
	Overall length		Intake	120.6 mm (4.75 in)	
			Exhaust	121.7 mm (4.79 in)	
Valve spring	Free length			54.30 mm (2.1378 in)	
	Squareness			2.5°, 2.4 mm (0.094 in)	
	Tension/spring height		Set	214 — 246 N (21.8 — 25.1 kgf, 48.1 — 55.3 lb)/ 45.0 mm (1.772 in)	
			Lift	526 — 582 N (53.6 kgf, 118.3 lb)/34.7 mm (1.366 in)	
Cylinder block	Surface warpage limit (mating with cylinder head)			0.05 mm (0.0020 in)	
	Surface grinding limit			0.1 mm (0.004 in)	
	Cylinder bore	STD	A	99.505 — 99.515 mm (3.9175 — 3.9179 in)	
			B	99.495 — 99.505 mm (3.9171 — 3.9175 in)	
	Taper		STD	0.015 mm (0.0006 in)	
			Limit	0.050 mm (0.0020 in)	
	Out-of-roundness		STD	0.010 mm (0.0004 in)	
			Limit	0.050 mm (0.0020 in)	
	Piston clearance		STD	0.010 — 0.030 mm (0.0004 — 0.0012 in)	
Limit			0.050 mm (0.0020 in)		
Enlarging (boring) limit			0.5 mm (0.020 in)		
Piston	Outer diameter	STD	A	99.485 — 99.495 mm (3.9167 — 3.9171 in)	
			B	99.475 — 99.485 mm (3.9163 — 3.9167 in)	
		0.25 mm (0.0098 in) OS			99.725 — 99.735 mm (3.9262 — 3.9266 in)
		0.50 mm (0.0197 in) OS			99.975 — 99.985 mm (3.9360 — 3.9364 in)
Standard inner diameter of piston pin hole			23.000 — 23.006 mm (0.9055 — 0.9057 in)		
Piston pin	Outer diameter			22.994 — 23.000 mm (0.9053 — 0.9055 in)	
	Standard clearance between piston pin and piston			0.004 — 0.008 mm (0.0002 — 0.0003 in)	
	Degree of fit			Piston pin must be fitted into position with thumb at 20°C (68°F).	

GENERAL DESCRIPTION

MECHANICAL

Piston ring	Piston ring gap	Top ring	STD	0.20 — 0.35 mm (0.0079 — 0.0138 in)
			Limit	1.0 mm (0.039 in)
		Second ring	STD	0.37 — 0.52 mm (0.0146 — 0.0205 in)
			Limit	1.0 mm (0.039 in)
		Oil ring	STD	0.20 — 0.50 mm (0.0079 — 0.0197 in)
			Limit	1.5 mm (0.059 in)
	Clearance between piston ring and piston ring groove	Top ring	STD	0.040 — 0.080 mm (0.0016 — 0.0031 in)
			Limit	0.15 mm (0.0059 in)
Second ring		STD	0.030 — 0.070 mm (0.0012 — 0.0028 in)	
		Limit	0.15 mm (0.0059 in)	
Connecting rod	Bend twist per 100 mm (3.94 in) in length	Limit	0.10 mm (0.0039 in)	
	Side clearance	STD	0.070 — 0.330 mm (0.0028 — 0.0130 in)	
		Limit	0.4 mm (0.016 in)	
Connecting rod bearing	Oil clearance	STD	0.016 — 0.044 mm (0.0006 — 0.0017 in)	
		Limit	0.05 mm (0.0020 in)	
	Thickness at center portion	STD	1.490 — 1.502 mm (0.0587 — 0.0591 in)	
		0.03 mm (0.0012 in) US	1.504 — 1.513 mm (0.0592 — 0.0596 in)	
		0.05 mm (0.0020 in) US	1.514 — 1.523 mm (0.0596 — 0.0600 in)	
		0.25 mm (0.0098 in) US	1.614 — 1.623 mm (0.0635 — 0.0639 in)	
Connecting rod bushing	Clearance between piston pin and bushing	STD	0 — 0.022 mm (0 — 0.0009 in)	
		Limit	0.030 mm (0.0012 in)	

GENERAL DESCRIPTION

MECHANICAL

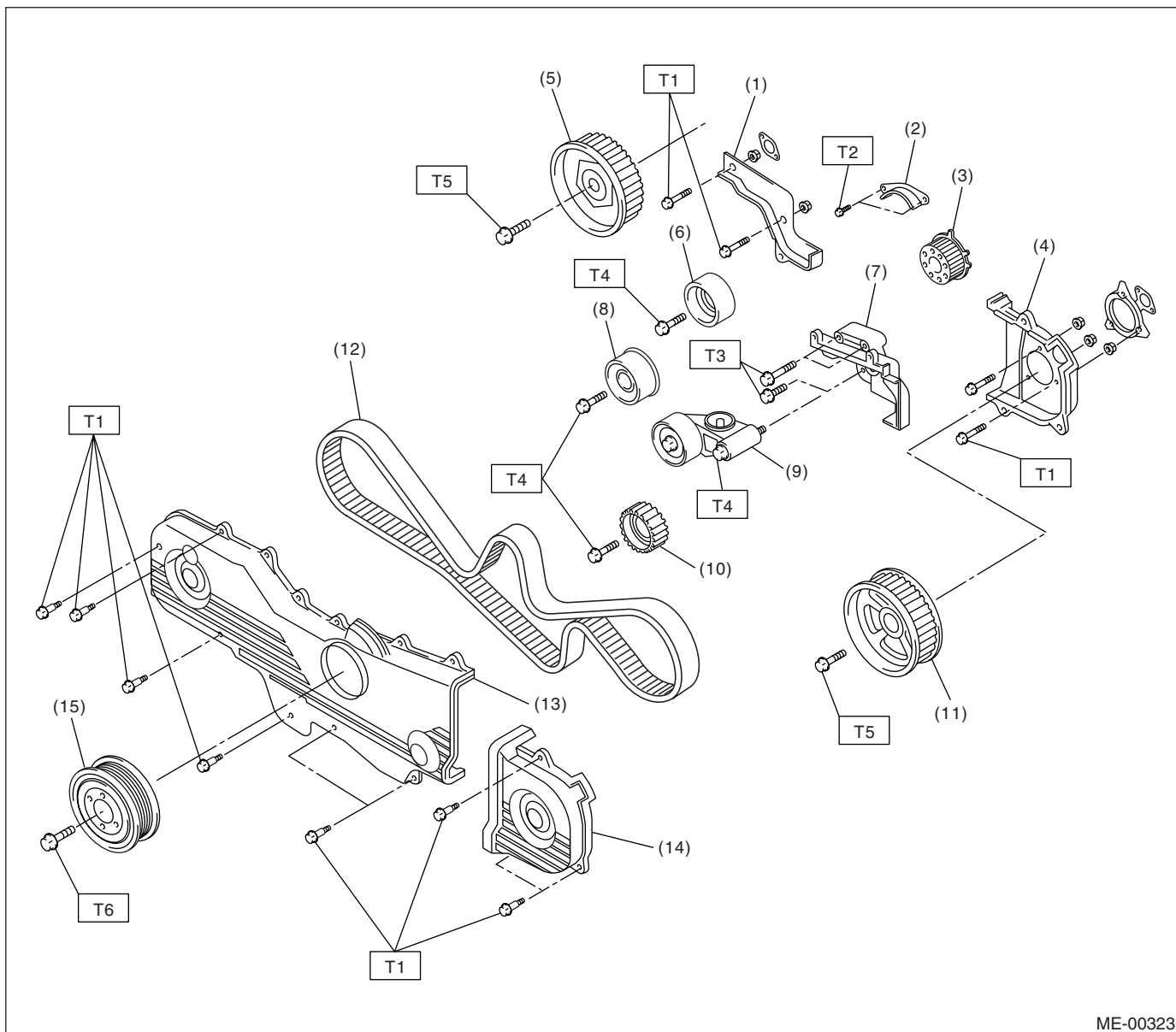
Crankshaft	Bend limit		0.035 mm (0.0014 in)		
	Crank pin and crank journal	Out-of-roundness	0.020 mm (0.0008 in) or less		
		Grinding limit		0.250 mm (0.0098 in)	
	Crank pin outer diameter		STD	51.984 — 52.000 mm (2.0466 — 2.0472 in)	
			0.03 mm (0.0012 in) US	51.954 — 51.970 mm (2.0454 — 2.0461 in)	
			0.05 mm (0.0020 in) US	51.934 — 51.950 mm (2.0446 — 2.0453 in)	
			0.25 mm (0.0098 in) US	51.734 — 51.750 mm (2.0368 — 2.0374 in)	
	Crank journal outer diameter		#1, #3	STD	59.992 — 60.008 mm (2.3619 — 2.3625 in)
				0.03 mm (0.0012 in) US	59.962 — 59.978 mm (2.3607 — 2.3613 in)
				0.05 mm (0.0020 in) US	59.942 — 59.958 mm (2.3599 — 2.3605 in)
				0.25 mm (0.0098 in) US	59.742 — 59.758 mm (2.3520 — 2.3527 in)
			#2, #4, #5	STD	59.992 — 60.008 mm (2.3619 — 2.3625 in)
				0.03 mm (0.0012 in) US	59.962 — 59.978 mm (2.3607 — 2.3613 in)
				0.05 mm (0.0020 in) US	59.942 — 59.958 mm (2.3599 — 2.3605 in)
				0.25 mm (0.0098 in) US	59.742 — 59.758 mm (2.3520 — 2.3527 in)
	Thrust clearance		STD	0.030 — 0.115 mm (0.0012 — 0.0045 in)	
			Limit	0.25 mm (0.0098 in)	
	Oil clearance		#1	STD	0.010 — 0.030 mm (0.0004 — 0.0012 in)
				Limit	0.040 mm (0.0016 in)
			#2	STD	0.010 — 0.030 mm (0.0004 — 0.0012 in)
				Limit	0.045 mm (0.0018 in)
#3			STD	0.010 — 0.030 mm (0.0004 — 0.0012 in)	
			Limit	0.040 mm (0.0016 in)	
#4			STD	0.010 — 0.030 mm (0.0004 — 0.0012 in)	
			Limit	0.045 mm (0.0018 in)	
#5			STD	0.010 — 0.030 mm (0.0004 — 0.0012 in)	
			Limit	0.040 mm (0.0016 in)	
Crankshaft bearing	Crankshaft bearing thickness		#1, #3	STD	1.998 — 2.011 mm (0.0787 — 0.0792 in)
				0.03 mm (0.0012 in) US	2.017 — 2.020 mm (0.0794 — 0.0795 in)
				0.05 mm (0.0020 in) US	2.027 — 2.030 mm (0.0798 — 0.0799 in)
				0.25 mm (0.0098 in) US	2.127 — 2.130 mm (0.0837 — 0.0839 in)
			#2, #4, #5	STD	2.000 — 2.013 mm (0.0787 — 0.0793 in)
				0.03 mm (0.0012 in) US	2.019 — 2.022 mm (0.0795 — 0.0796 in)
				0.05 mm (0.0020 in) US	2.029 — 2.032 mm (0.0799 — 0.0800 in)
				0.25 mm (0.0098 in) US	2.129 — 2.132 mm (0.0838 — 0.0839 in)

GENERAL DESCRIPTION

MECHANICAL

B: COMPONENT

1. TIMING BELT



ME-00323

- | | |
|----------------------------------|--|
| (1) Timing belt cover No. 2 (RH) | (9) Automatic belt tension adjuster ASSY |
| (2) Timing belt guide (MT model) | (10) Belt idler No. 2 |
| (3) Crank sprocket | (11) Cam sprocket No. 2 |
| (4) Timing belt cover No. 2 (LH) | (12) Timing belt |
| (5) Cam sprocket No. 1 | (13) Front belt cover |
| (6) Belt idler (No. 1) | (14) Timing belt cover (LH) |
| (7) Tensioner bracket | (15) Crank pulley |
| (8) Belt idler (No. 2) | |

Tightening torque: N-m (kgf-m, ft-lb)

T1: 5 (0.5, 3.6)

T2: 10 (1.0, 7.2)

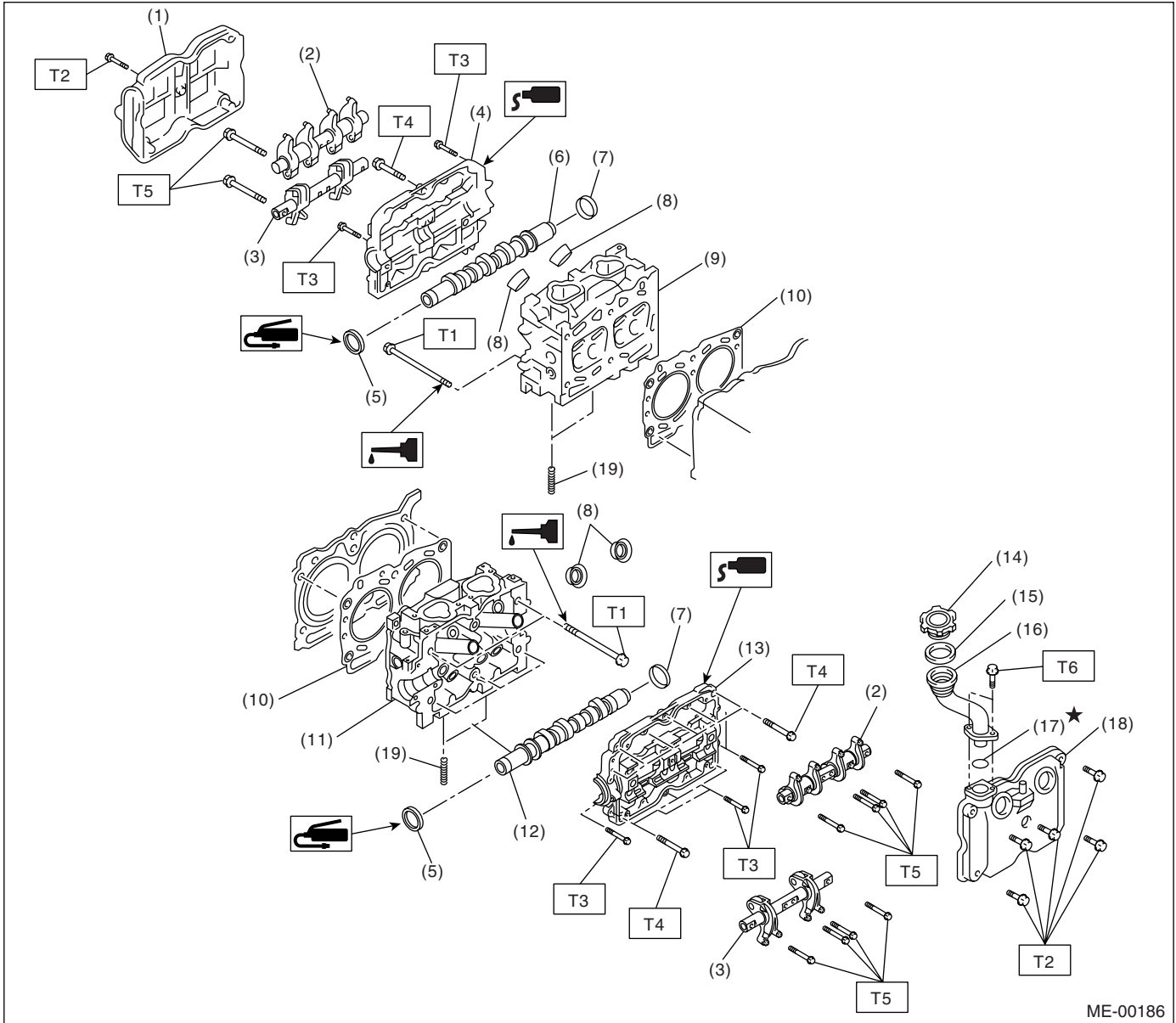
T3: 25 (2.5, 18.1)

T4: 39 (4.0, 28.9)

T5: 78 (8.0, 57.9)

T6: <Ref. to ME(H4SO)-44, INSTALLATION, Crank Pulley.>

2. CYLINDER HEAD AND CAMSHAFT



ME-00186

- | | |
|-------------------------------|-------------------------|
| (1) Rocker cover (RH) | (11) Cylinder head (LH) |
| (2) Intake valve rocker ASSY | (12) Camshaft (LH) |
| (3) Exhaust valve rocker ASSY | (13) Camshaft cap (LH) |
| (4) Camshaft cap (RH) | (14) Oil filler cap |
| (5) Oil seal | (15) Gasket |
| (6) Camshaft (RH) | (16) Oil filler duct |
| (7) Plug | (17) O-ring |
| (8) Spark plug pipe gasket | (18) Rocker cover (LH) |
| (9) Cylinder head (RH) | (19) Stud bolt |
| (10) Cylinder head gasket | |

Tightening torque: N-m (kgf-m, ft-lb)

T1: <Ref. to ME(H4SO)-60, INSTALLATION, Cylinder Head Assembly.>

T2: 5 (0.5, 3.6)

T3: 10 (1.0, 7.2)

T4: 18 (1.8, 13.0)

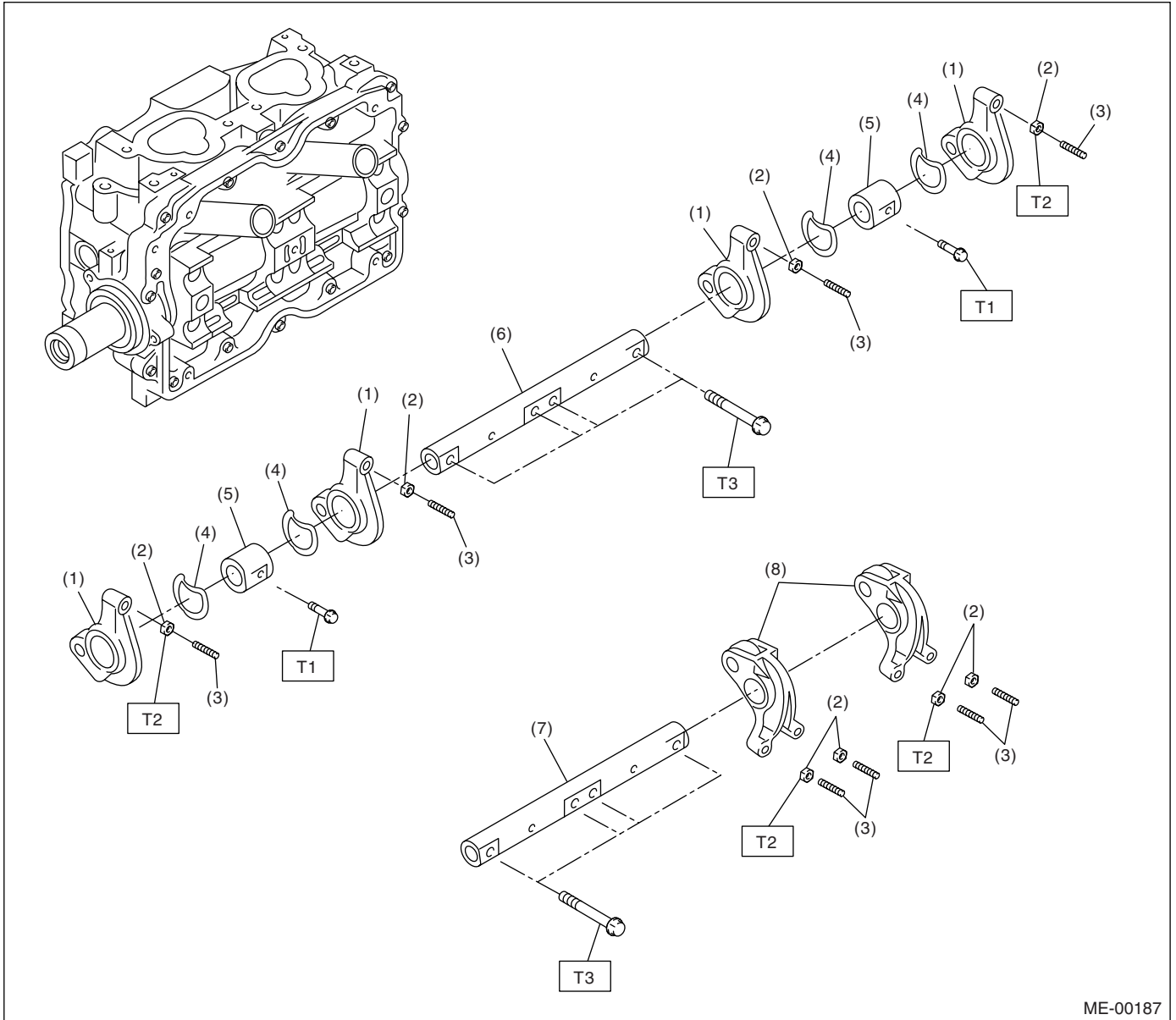
T5: 25 (2.5, 18.1)

T6: 6.4 (0.65, 4.7)

GENERAL DESCRIPTION

MECHANICAL

3. VALVE ROCKER ASSEMBLY



ME-00187

- | | |
|----------------------------------|------------------------------|
| (1) Intake valve rocker arm | (5) Rocker shaft support |
| (2) Valve rocker nut | (6) Intake rocker shaft |
| (3) Valve rocker adjusting screw | (7) Exhaust rocker shaft |
| (4) Spring | (8) Exhaust valve rocker arm |

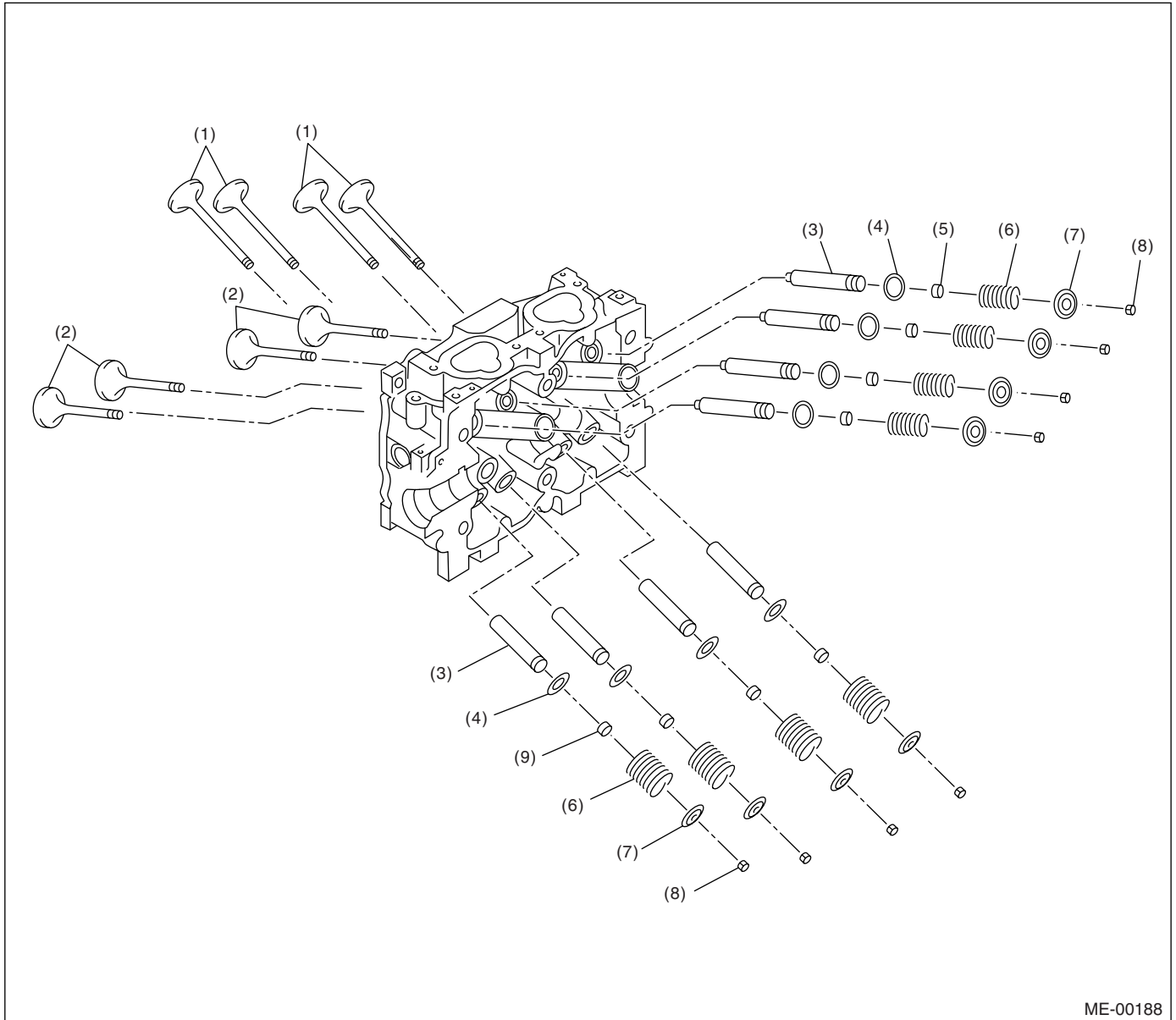
Tightening torque: N·m (kgf·m, ft·lb)

T1: 5 (0.5, 3.6)

T2: 10 (1.0, 7.2)

T3: 25 (2.5, 18.1)

4. CYLINDER HEAD AND VALVE ASSEMBLY



ME-00188

- (1) Exhaust valve
- (2) Intake valve
- (3) Valve guide

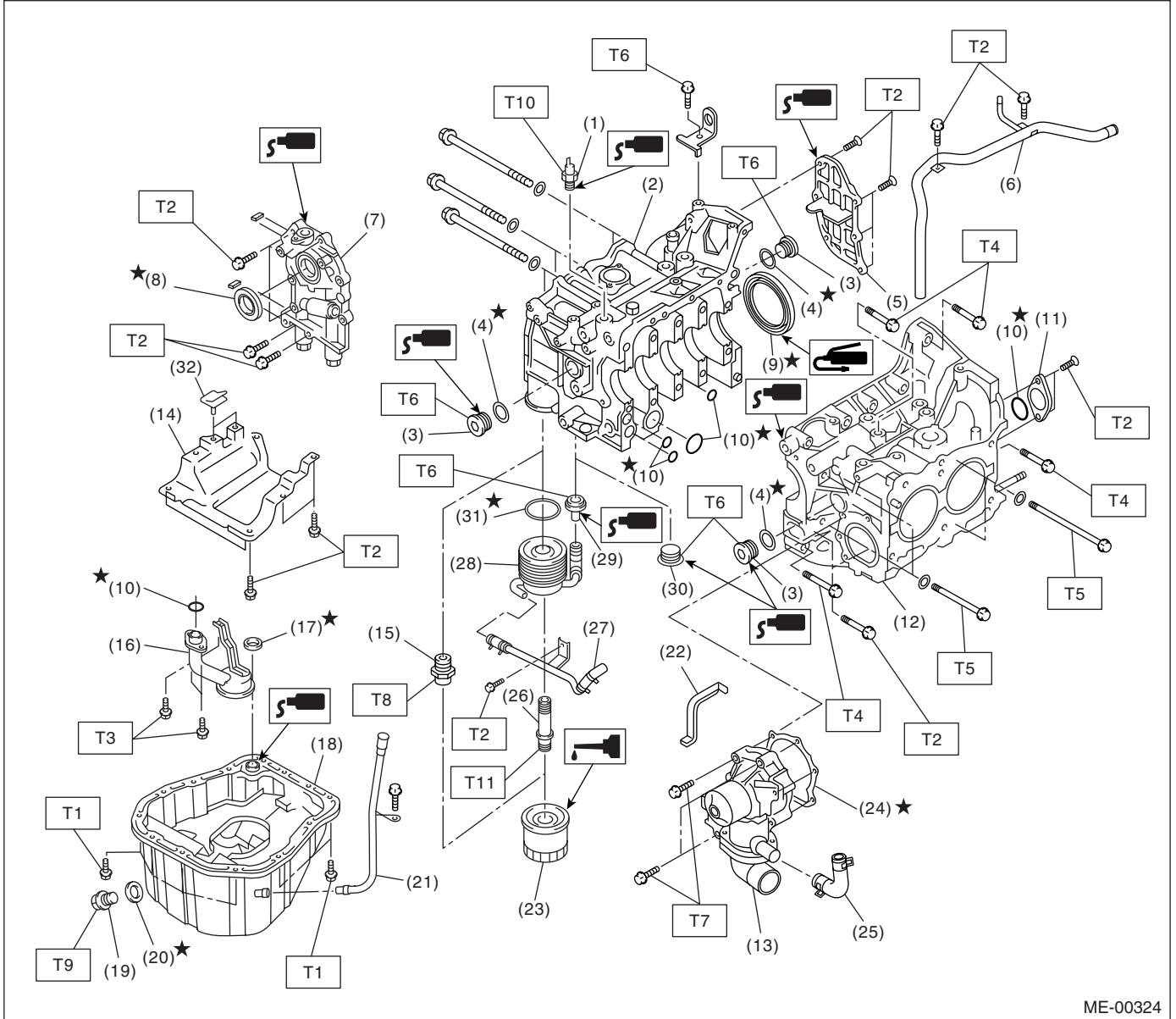
- (4) Valve spring seat
- (5) Intake valve oil seal
- (6) Valve spring

- (7) Retainer
- (8) Collet (Valve)
- (9) Exhaust valve oil seal

GENERAL DESCRIPTION

MECHANICAL

5. CYLINDER BLOCK



ME-00324

GENERAL DESCRIPTION

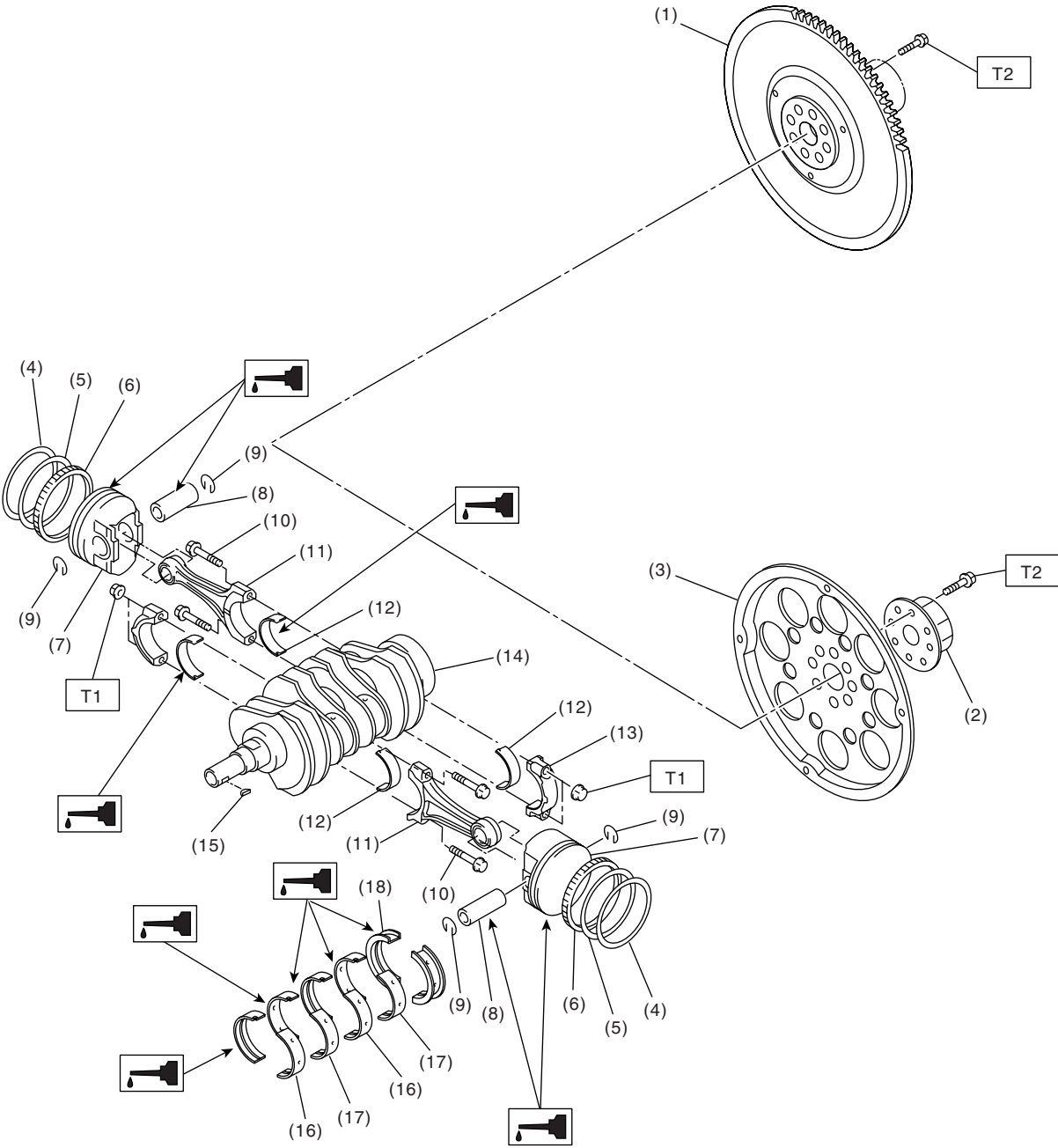
MECHANICAL

(1) Oil pressure switch	(17) Gasket	Tightening torque: N-m (kgf-m, ft-lb)
(2) Cylinder block (RH)	(18) Oil pan	T1: 5 (0.5, 3.6)
(3) Service hole plug	(19) Drain plug	T2: 6.4 (0.65, 4.7)
(4) Gasket	(20) Metal gasket	T3: 10 (1.0, 7.2)
(5) Oil separator cover	(21) Oil level gauge guide	T4: 25 (2.5, 18.1)
(6) Water by-pass pipe	(22) Water pump sealing	T5: <Ref. to ME(H4SO)-71, INSTALLATION, Cylinder Block.>
(7) Oil pump	(23) Oil filter	
(8) Front oil seal	(24) Gasket	T6: 70 (7.1, 51.6)
(9) Rear oil seal	(25) Water pump hose	T7: First 12 (1.2, 8.7) Second 12 (1.2, 8.7)
(10) O-ring	(26) Connector (AT model)	
(11) Service hole cover	(27) Oil cooler pipe (AT model)	T8: 45 (4.6, 33.2)
(12) Cylinder block (LH)	(28) Oil cooler (AT model)	T9: 44 (4.5, 33)
(13) Water pump	(29) Nipple (AT model)	T10: 25 (2.5, 18.1)
(14) Baffle plate	(30) Plug (MT model)	T11: 54 (5.6, 41)
(15) Oil filter connector (MT model)	(31) O-ring (AT model)	
(16) Oil strainer	(32) Seal	

GENERAL DESCRIPTION

MECHANICAL

6. CRANKSHAFT AND PISTON



ME-00190

GENERAL DESCRIPTION

MECHANICAL

- | | | |
|------------------------------|--------------------------------|--------------------------------|
| (1) Flywheel (MT model) | (9) Circlip | (17) Crankshaft bearing #2, #4 |
| (2) Reinforcement (AT model) | (10) Connecting rod bolt | (18) Crankshaft bearing #5 |
| (3) Drive plate (AT model) | (11) Connecting rod | |
| (4) Top ring | (12) Connecting rod bearing | |
| (5) Second ring | (13) Connecting rod cap | |
| (6) Oil ring | (14) Crankshaft | |
| (7) Piston | (15) Woodruff key | |
| (8) Piston pin | (16) Crankshaft bearing #1, #3 | |

Tightening torque: N·m (kgf·m, ft·lb)

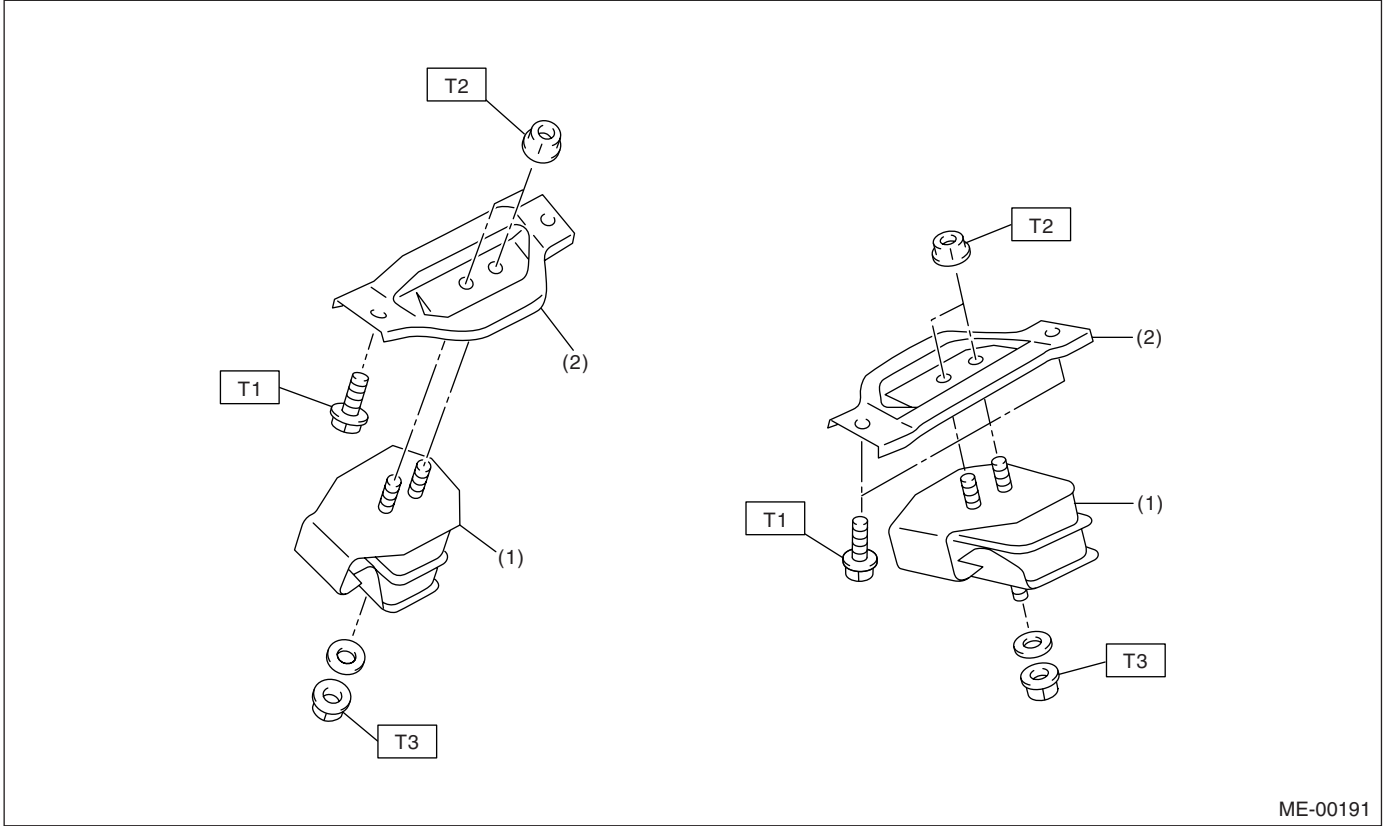
T1: 45 (4.6, 33.2)

T2: 72 (7.3, 52.8)

GENERAL DESCRIPTION

MECHANICAL

7. ENGINE MOUNTING



(1) Front cushion rubber

(2) Front engine mounting bracket

Tightening torque: N·m (kgf·m, ft·lb)

T1: 35 (3.6, 25.8)

T2: 42 (4.3, 31.0)

T3: 85 (8.7, 63)

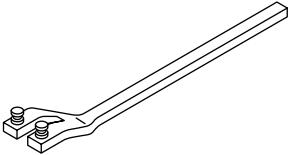
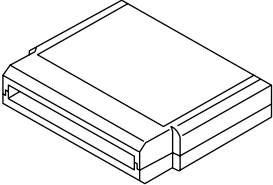
C: CAUTION

- Wear working clothing, including a cap, protective goggles, and protective shoes during operation.
- Remove contamination including dirt and corrosion before removal, installation or disassembly.
- Keep the disassembled parts in order and protect them from dust or dirt.
- Before removal, installation or disassembly, be sure to clarify the failure. Avoid unnecessary removal, installation, disassembly, and replacement.
- Be careful not to burn your hands, because each part in the vehicle is hot after running.
- Be sure to tighten fasteners including bolts and nuts to the specified torque.
- Place shop jacks or safety stands at the specified points.
- Before disconnecting electrical connectors of sensors or units, be sure to disconnect the ground cable from battery.
- All parts should be thoroughly cleaned, paying special attention to the engine oil passages, pistons and bearings.

- Rotating parts and sliding parts such as piston, bearing and gear should be coated with oil prior to assembly.
- Be careful not to let oil, grease or coolant contact the timing belt, clutch disc and flywheel.
- All removed parts, if to be reused, should be re-installed in the original positions and directions.
- Bolts, nuts and washers should be replaced with new ones as required.
- Even if necessary inspections have been made in advance, proceed with assembly work while making rechecks.
- Remove or install engine in an area where chain hoists, lifting devices, etc. are available for ready use.
- Be sure not to damage coated surfaces of body panels with tools or stain seats and windows with coolant or oil. Place a cover over fenders, as required, for protection.
- Prior to starting work, prepare the following:
Service tools, clean cloth, containers to catch coolant and oil, wire ropes, chain hoist, transmission jacks, etc.
- Lift-up or lower the vehicle when necessary. Make sure to support the correct positions.


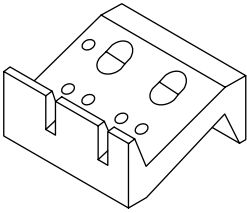
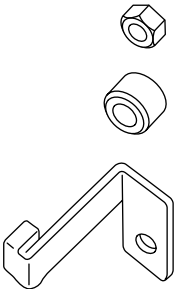
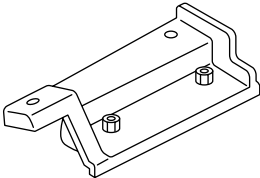
D: PREPARATION TOOL

1. SPECIAL TOOLS

ILLUSTRATION	TOOL NUMBER	DESCRIPTION	REMARKS
 ST18231AA010	18231AA010	CAM SPROCKET WRENCH	<ul style="list-style-type: none"> • Used for removing and installing cam sprocket. (LH side) • Also the CAM SPROCKET WRENCH (499207100) can be used.
 ST24082AA230	24082AA230	CARTRIDGE	Troubleshooting for electrical systems.

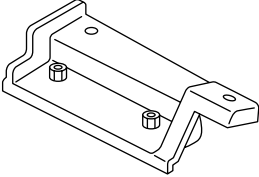
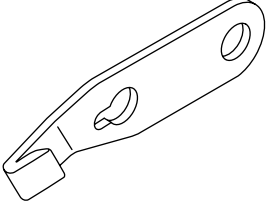
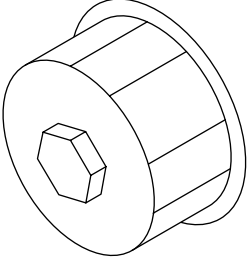
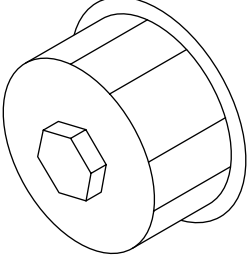
GENERAL DESCRIPTION

MECHANICAL

ILLUSTRATION	TOOL NUMBER	DESCRIPTION	REMARKS
 <p style="text-align: center;">ST22771AA030</p>	<p style="text-align: center;">22771AA030</p>	<p>SUBARU SELECT MONI- TOR KIT</p>	<p>Troubleshooting for electrical systems.</p>
 <p style="text-align: center;">ST-498267800</p>	<p style="text-align: center;">498267800</p>	<p>CYLINDER HEAD TABLE</p>	<ul style="list-style-type: none"> • Used for replacing valve guides. • Used for removing and installing valve springs.
 <p style="text-align: center;">ST-498277200</p>	<p style="text-align: center;">498277200</p>	<p>STOPPER SET</p>	<p>Used for installing automatic transmission assembly to engine.</p>
 <p style="text-align: center;">ST-498457000</p>	<p style="text-align: center;">498457000</p>	<p>ENGINE STAND ADAPTER RH</p>	<p>Used with ENGINE STAND (499817000).</p>

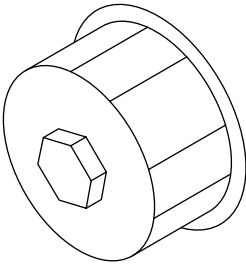
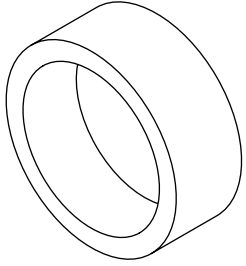
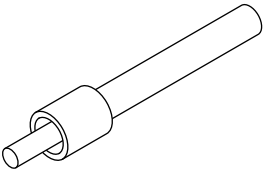
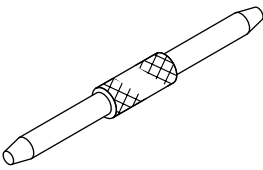
GENERAL DESCRIPTION

MECHANICAL

ILLUSTRATION	TOOL NUMBER	DESCRIPTION	REMARKS
 <p style="text-align: center;">ST-498457100</p>	498457100	ENGINE STAND ADAPTER LH	Used with ENGINE STAND (499817000).
 <p style="text-align: center;">ST-498497100</p>	498497100	CRANKSHAFT STOPPER	Used for stopping rotation of flywheel when loosening and tightening crank pulley bolt, etc.
 <p style="text-align: center;">ST-498547000</p>	498547000	OIL FILTER WRENCH	Used for removing and installing oil filter. (Outer diameter : 80 mm (3.15 in))
 <p style="text-align: center;">ST18332AA000</p>	18332AA000	OIL FILTER WRENCH	Used for removing and installing oil filter. (Outer diameter : 68 mm (2.68 in))

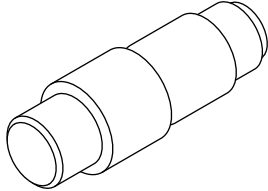
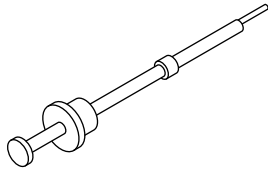
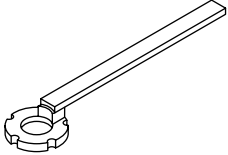
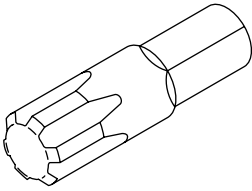
GENERAL DESCRIPTION

MECHANICAL

ILLUSTRATION	TOOL NUMBER	DESCRIPTION	REMARKS
 <p style="text-align: center;">ST18332AA010</p>	18332AA010	OIL FILTER WRENCH	Used for removing and installing oil filter. (Outer diameter : 65 mm (2.56 in))
 <p style="text-align: center;">ST-498747300</p>	498747300	PISTON GUIDE	Used for installing piston in cylinder. (2.5 L model)
 <p style="text-align: center;">ST-498857100</p>	498857100	VALVE OIL SEAL GUIDE	Used for press-fitting of intake and exhaust valve guide oil seals.
 <p style="text-align: center;">ST-499017100</p>	499017100	PISTON PIN GUIDE	Used for installing piston pin, piston and connecting rod.

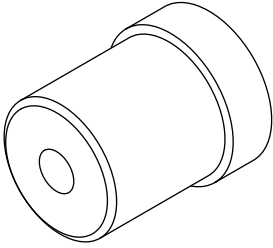
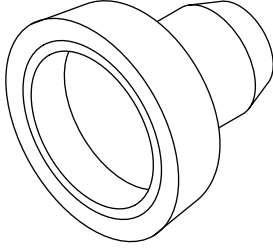
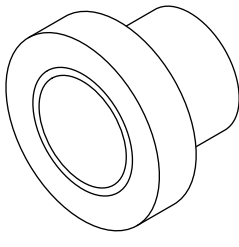
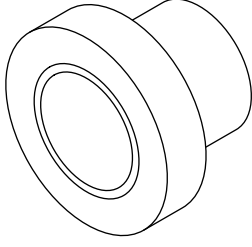
GENERAL DESCRIPTION

MECHANICAL

ILLUSTRATION	TOOL NUMBER	DESCRIPTION	REMARKS
 <p style="text-align: center;">ST-499037100</p>	499037100	CONNECTING ROD BUSHING REMOVER & INSTALLER	Used for removing and installing connecting rod bushing.
 <p style="text-align: center;">ST-499097700</p>	499097700	PISTON PIN REMOVER ASSY	Used for removing piston pin.
 <p style="text-align: center;">ST-499207400</p>	499207400	CAMSHAFT SPROCKET WRENCH	Used for removing and installing cam sprocket. (RH side)
 <p style="text-align: center;">ST-499497000</p>	499497000	TORX® PLUS	Used for removing and installing camshaft cap.

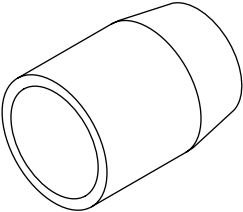
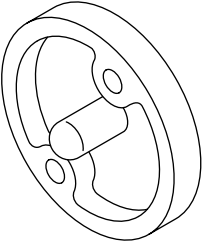
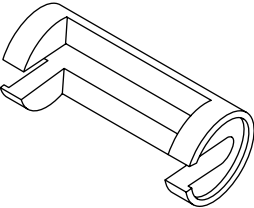
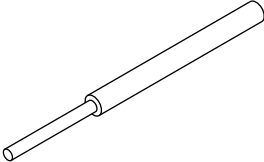
GENERAL DESCRIPTION

MECHANICAL

ILLUSTRATION	TOOL NUMBER	DESCRIPTION	REMARKS
 <p style="text-align: center;">ST-499587100</p>	499587100	OIL SEAL INSTALLER	Used for installing oil pump oil seal.
 <p style="text-align: center;">ST-499587200</p>	499587200	CRANKSHAFT OIL SEAL INSTALLER	<ul style="list-style-type: none"> • Used for installing crankshaft oil seal. • Used with CRANKSHAFT OIL SEAL GUIDE (499597100).
 <p style="text-align: center;">ST-499587500</p>	499587500	OIL SEAL INSTALLER	Used for installing camshaft oil seal.
 <p style="text-align: center;">ST-499587700</p>	499587700	CAMSHAFT OIL SEAL INSTALLER	Used for installing cylinder head plug.

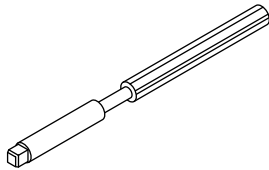
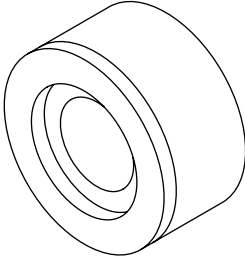
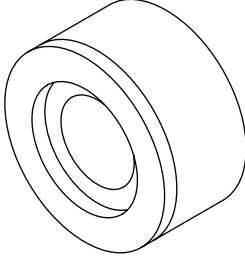
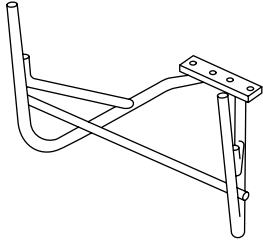
GENERAL DESCRIPTION

MECHANICAL

ILLUSTRATION	TOOL NUMBER	DESCRIPTION	REMARKS
 <p style="text-align: center;">ST-499597000</p>	499597000	OIL SEAL GUIDE	<ul style="list-style-type: none"> • Used for installing camshaft oil seal. • Used with CAMSHAFT OIL SEAL INSTALLER (499587500).
 <p style="text-align: center;">ST-499597100</p>	499597100	CRANKSHAFT OIL SEAL GUIDE	<ul style="list-style-type: none"> • Used for installing crankshaft oil seal. • Used with CRANKSHAFT OIL SEAL INSTALLER (499587200).
 <p style="text-align: center;">ST-499718000</p>	499718000	VALVE SPRING REMOVER	Used for removing and installing valve spring.
 <p style="text-align: center;">ST-499767200</p>	499767200	VALVE GUIDE REMOVER	Used for removing valve guides.

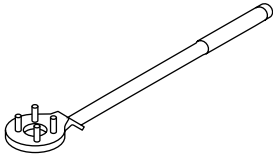
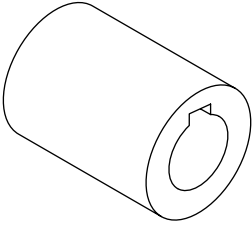
GENERAL DESCRIPTION

MECHANICAL

ILLUSTRATION	TOOL NUMBER	DESCRIPTION	REMARKS
 <p style="text-align: center;">ST-499767400</p>	499767400	VALVE GUIDE REAMER	Used for reaming valve guides.
 <p style="text-align: center;">ST-499767700</p>	499767700	VALVE GUIDE ADJUSTER	Used for installing valve guides. (Intake side)
 <p style="text-align: center;">ST-499767800</p>	499767800	VALVE GUIDE ADJUSTER	Used for installing valve guides. (Exhaust side)
 <p style="text-align: center;">ST-499817100</p>	499817100	ENGINE STAND	<ul style="list-style-type: none"> • Stand used for engine disassembly and assembly. • Used with ENGINE STAND ADAPTER RH (498457000) & LH (498457100).

GENERAL DESCRIPTION

MECHANICAL

ILLUSTRATION	TOOL NUMBER	DESCRIPTION	REMARKS
 ST-499977100	499977100	CRANK PULLEY WRENCH	Used for stopping rotation of crank pulley when loosening and tightening crank pulley bolts.
 ST-499987500	499987500	CRANKSHAFT SOCKET	Used for rotating crankshaft.

2. GENERAL PURPOSE TOOLS

TOOL NAME	REMARKS
Compression Gauge	Used for measuring compression.
Tachometer (Secondary pick-up type)	Used for measuring idle speed.
Timing Light	Used for measuring ignition timing.

GENERAL DESCRIPTION

MECHANICAL

E: PROCEDURE

It is possible to conduct the following service procedures with engine on the vehicle, however, the procedures described in this section are based on the condition that the engine is removed from the vehicle.

- V-belt
- Timing Belt
- Valve Rocker Assembly
- Camshaft
- Cylinder Head