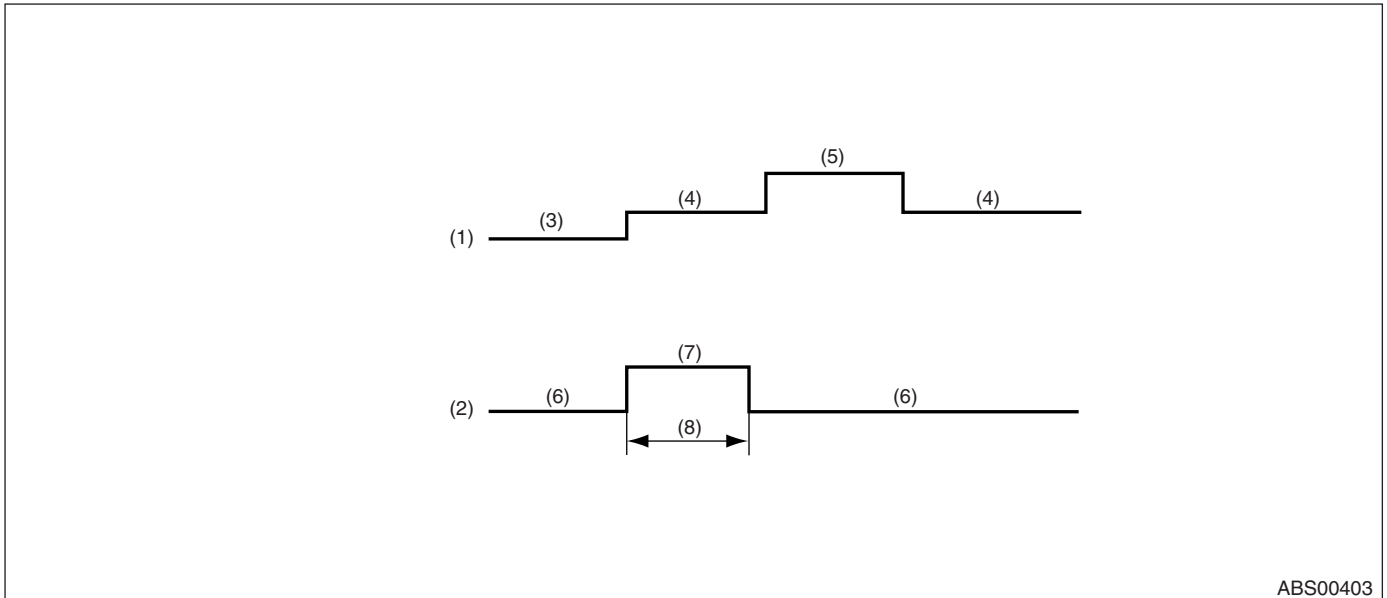


ABS WARNING LIGHT ILLUMINATION PATTERN

ABS (DIAGNOSTICS)

10.ABS Warning Light Illumination Pattern

A: INSPECTION



ABS00403

- | | |
|-------------------------|-----------------|
| (1) Ignition key switch | (5) START |
| (2) ABS warning light | (6) Goes out |
| (3) OFF | (7) Illuminates |
| (4) ON | (8) 1.5 sec. |

1) When the ABS warning light does not illuminate in accordance with this illumination pattern, there must be an electrical malfunction.

2) When the ABS warning light remains constantly OFF, repair the ABS warning light circuit or diagnosis circuit. <Ref. to ABS-30, Diagnostics Procedure without Diagnostic Trouble Code (DTC).>

NOTE:

Even though the ABS warning light does not go out 1.5 seconds after it illuminates, the ABS system operates normally when the warning light goes out while driving at approx. 12 km/h (7 MPH). However, the Anti-lock brakes do not work while ABS warning light is illuminated.