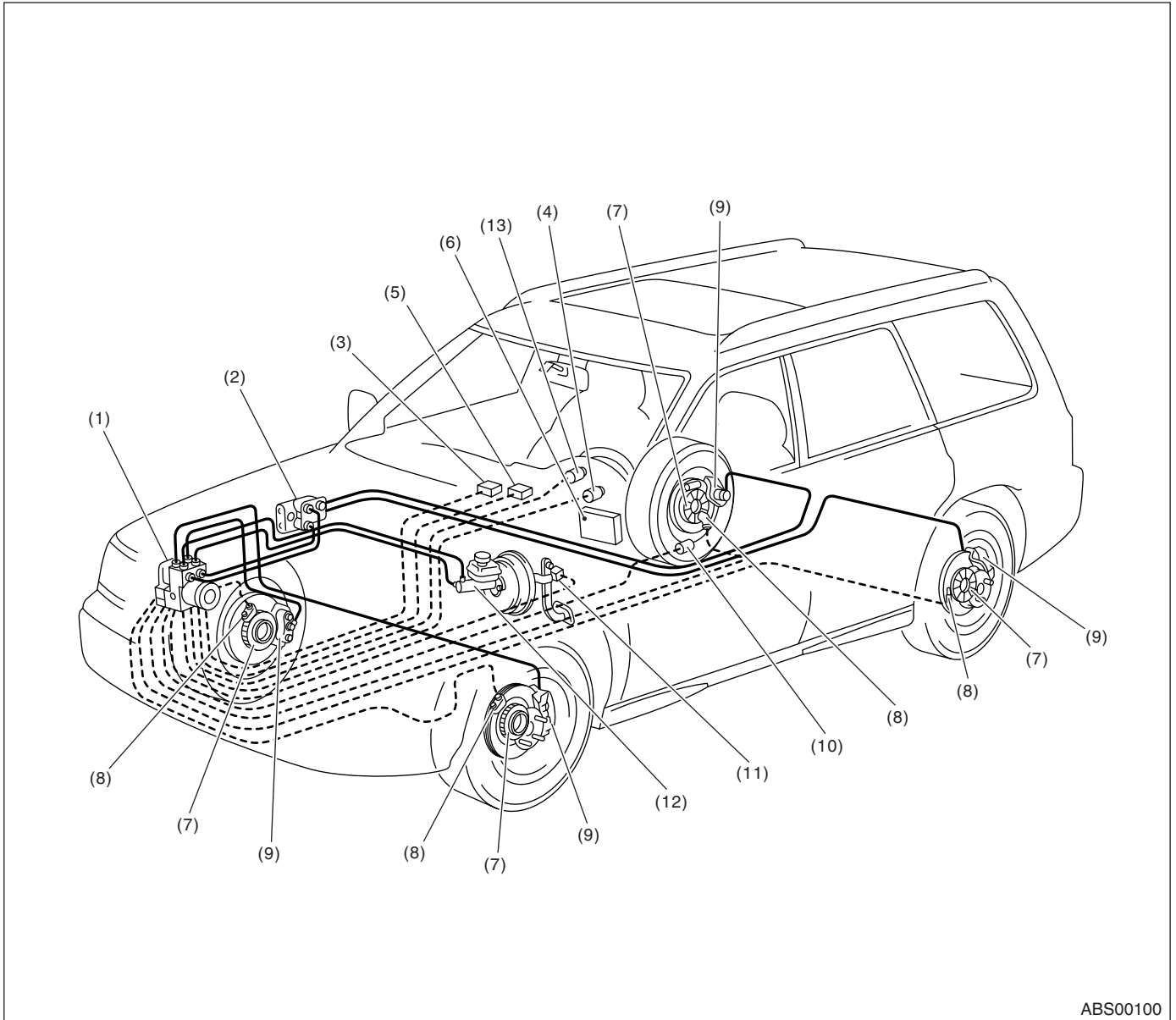


ELECTRICAL COMPONENTS LOCATION

ABS (DIAGNOSTICS)

4. Electrical Components Location

A: LOCATION

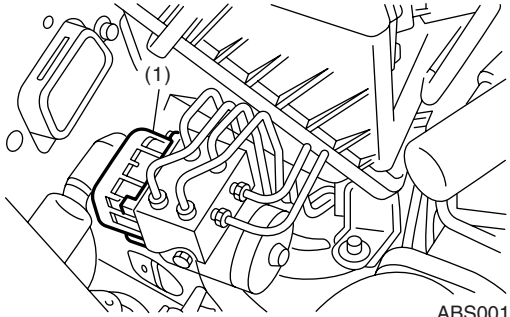


ABS00100

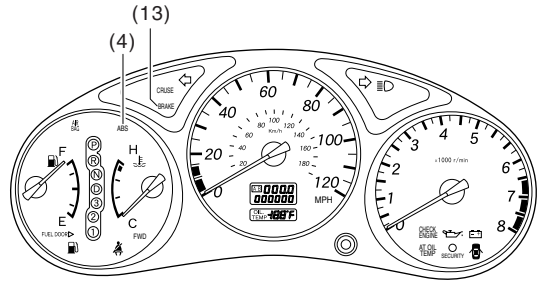
- | | | |
|---|---|--------------------------------|
| (1) ABS control module and hydraulic control unit (ABSCM&H/U) | (5) Data link connector (for Subaru Select Monitor) | (9) Wheel cylinder |
| (2) Proportioning valve (without EBD model) | (6) Transmission control module (AT model) | (10) G sensor |
| (3) Diagnosis connector | (7) Tone wheel | (11) Stop light switch |
| (4) ABS warning light | (8) ABS wheel speed sensor | (12) Master cylinder |
| | | (13) Brake & EBD warning light |

ELECTRICAL COMPONENTS LOCATION

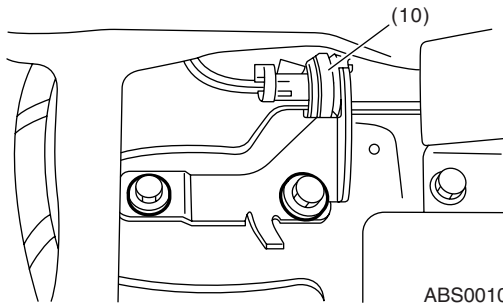
ABS (DIAGNOSTICS)



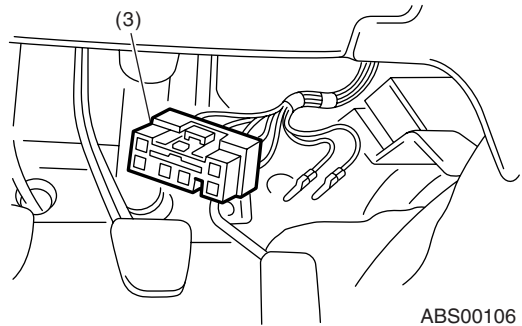
ABS00101



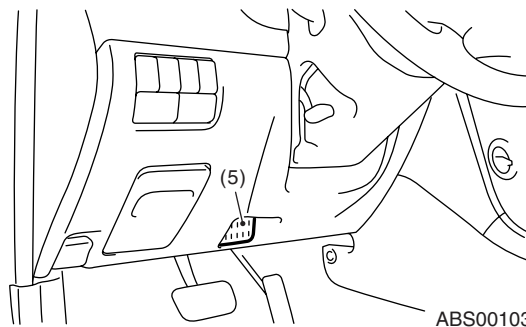
ABS00105



ABS00102

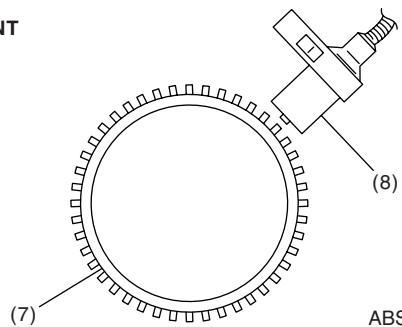


ABS00106



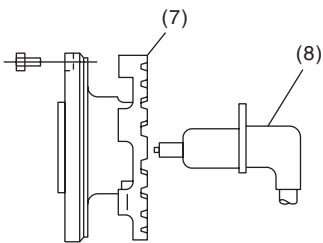
ABS00103

FRONT



ABS00107

REAR



ABS00104

SUBARU.