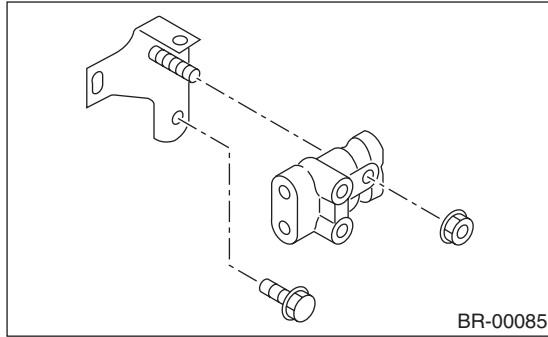


13. Proportioning Valve

A: REMOVAL



- 1) Remove the brake pipe from proportioning valve at four places.
- 2) Remove the proportioning valve from its bracket.

NOTE:

Do not disassemble or adjust the proportioning valve. (The proportioning valve must be replaced as an assembly.)

B: INSTALLATION

- 1) Install the proportioning valve to bracket.
- 2) Connect the brake pipes correctly to proportioning valve.
- 3) Bleed air, then check each joint of the brake pipe for oil leaks. <Ref. to BR-41, Air Bleeding.>

Tightening torque:

Proportioning valve to brake pipe flare nut:

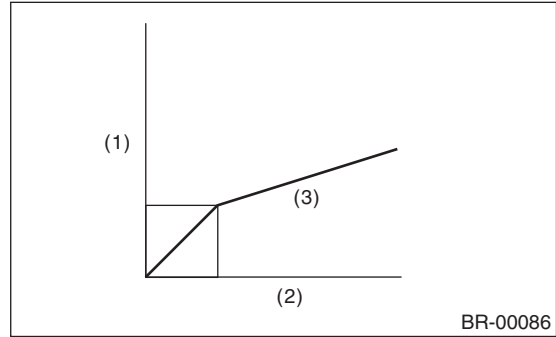
15 N·m (1.5 kgf·m, 10.8 ft·lb)

Proportioning valve to bracket

18 N·m (1.8 kgf·m, 13.0 ft·lb)

C: INSPECTION

- 1) Install the oil pressure gauges to measure the master cylinder fluid pressure (front wheel brake fluid pressure) and rear wheel cylinder fluid pressure.
- 2) Bleed air from the oil pressure gauges.
- 3) Check the master cylinder fluid pressure and rear wheel cylinder fluid pressure. The standard values are shown in the figure.



- (1) Rear wheel cylinder fluid pressure: P_3
- (2) Master cylinder fluid pressure: P_2
- (3) When both circuits are normal

- 4) For the oil pressure in case of split point, refer to "SPECIFICATIONS". <Ref. to BR-2, SPECIFICATIONS, General Description.>