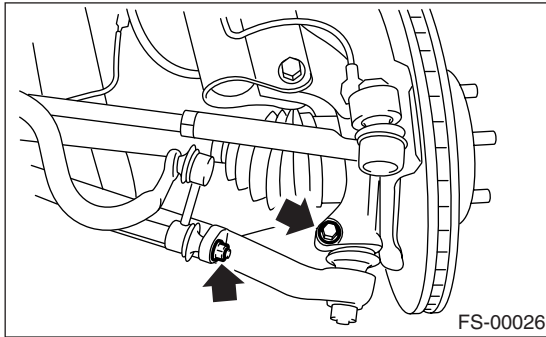


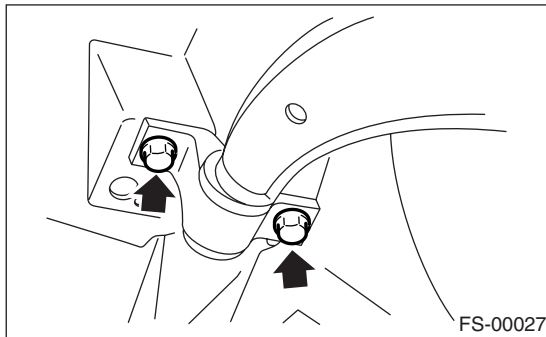
3. Front Transverse Link

A: REMOVAL

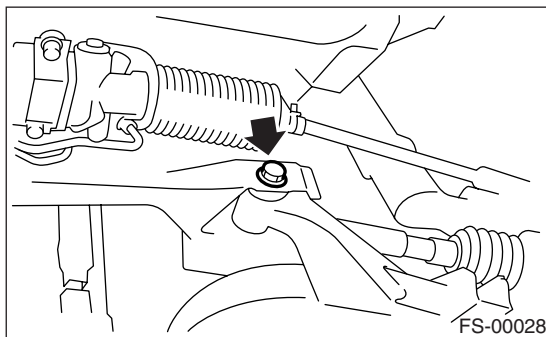
- 1) Set the vehicle on the lift.
- 2) Lift-up the vehicle and remove the wheel.
- 3) Remove the sub frame.
- 4) Disconnect the stabilizer link from transverse link.
- 5) Remove the bolt securing ball joint of transverse link to housing.



- 6) Remove the nut (do not remove bolt) securing transverse link to crossmember.
- 7) Remove the two bolts securing bushing bracket of transverse link to the vehicle body at rear bushing location.



- 8) Extract the ball joint from housing.
- 9) Remove the bolt securing transverse link to crossmember, and then extract the transverse link from crossmember.



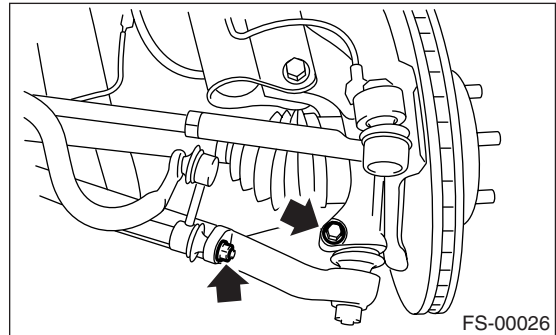
B: INSTALLATION

- 1) Temporarily tighten the two bolts used to secure rear bushing of transverse link to body.

NOTE:

These bolts should be tightened to such an extent that they can still move back and forth in the oblong shaped hole in the bracket (which holds the bushing).

- 2) Install the bolts used to connect transverse link to crossmember and temporarily tighten with a new self-locking nut.
- 3) Insert the ball joint into housing.
- 4) Connect the stabilizer link to transverse link, and temporarily tighten a new self-locking nut.



- 5) Tighten the following points in the order shown below when wheels are in full contact with the ground and vehicle is curb weight.

- (1) Transverse link and stabilizer

Tightening torque:

45 N·m (4.6 kgf-m, 33 ft-lb)

- (2) Transverse link and crossmember

Tightening torque:

125 N·m (12.7 kgf-m, 92.3 ft-lb)

- (3) Transverse link rear bushing and body

Tightening torque:

250 N·m (25.5 kgf-m, 184 ft-lb)

- 6) Check the wheel alignment and adjust if necessary.

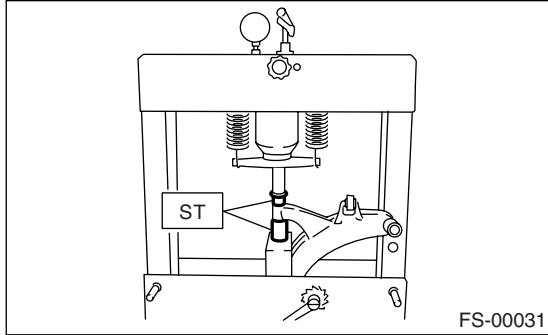
FRONT TRANSVERSE LINK

FRONT SUSPENSION

C: DISASSEMBLY

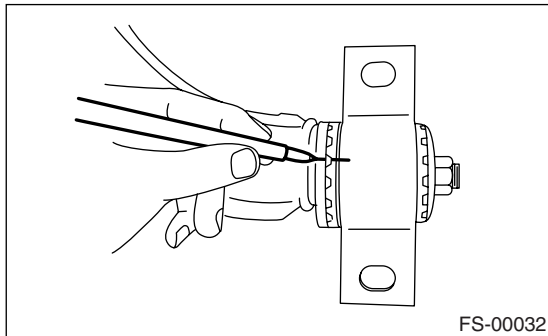
1. FRONT BUSHING

Using the ST, press the front bushing out of place.
ST 927680000 INSTALLER & REMOVER SET



2. REAR BUSHING

- 1) Scribe an aligning mark on the transverse link and rear bushing.
- 2) Loosen the nut and remove rear bushing.



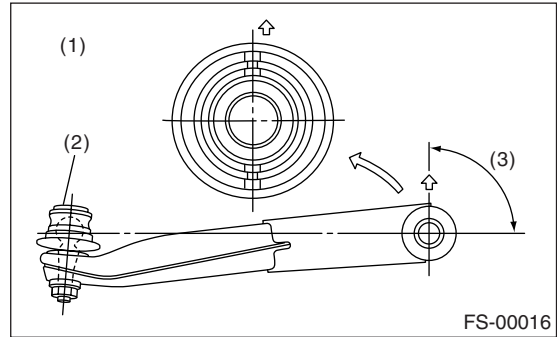
D: ASSEMBLY

1. FRONT BUSHING

Assemble in the reverse order of disassembly.

CAUTION:

Install the front bushing in correct direction, as shown in the figure.



- (1) Face bushing toward center of ball joint
- (2) Ball joint
- (3) $90^{\circ} \pm 3^{\circ}$

2. REAR BUSHING

- 1) Install the rear bushing to transverse link and align aligning marks scribed on the two.
- 2) Tighten a new self-locking nut.

NOTE:

While holding the rear bushing so as not to change position of aligning marks, tighten the self-locking nut.

Tightening torque:

190 N·m (19.4 kgf·m, 140 ft·lb)

E: INSPECTION

- 1) Check the transverse link for wear, damage and cracks, and correct or replace if defective.
- 2) Check the bushings for cracks, fatigue or damage.
- 3) Check the rear bushing for oil leaks.