

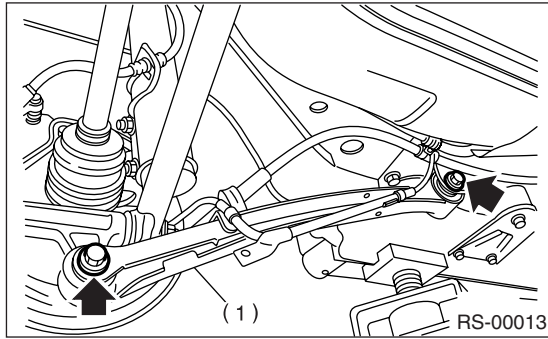
REAR TRAILING LINK

REAR SUSPENSION

4. Rear Trailing Link

A: REMOVAL

- 1) Loosen the rear wheel nuts.
- 2) Lift-up the vehicle, and then remove the rear wheels.
- 3) Remove both the rear parking brake clamp and ABS wheel speed sensor harness.
- 4) Remove the bolt which secures trailing link to trailing link bracket.



(1) Trailing link

- 5) Remove the bolt which secures trailing link to rear housing.

B: INSTALLATION

- 1) Install in the reverse order of removal.
- 2) Always tighten the rubber bushing location when wheels are in full contact with the ground and vehicle is at curb weight condition.

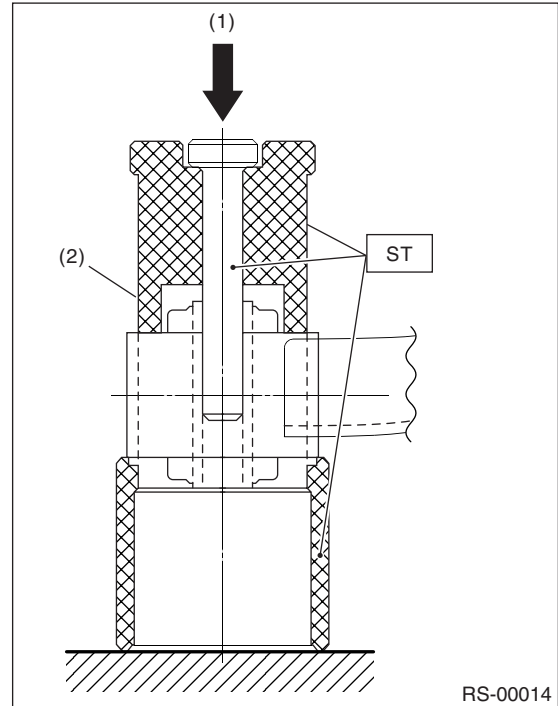
NOTE:

Check the wheel alignment and adjust if necessary.

C: DISASSEMBLY

1. FRONT BUSHING

Using the ST, press the front bushing out of place.
ST 927720000 INSTALLER & REMOVER SET

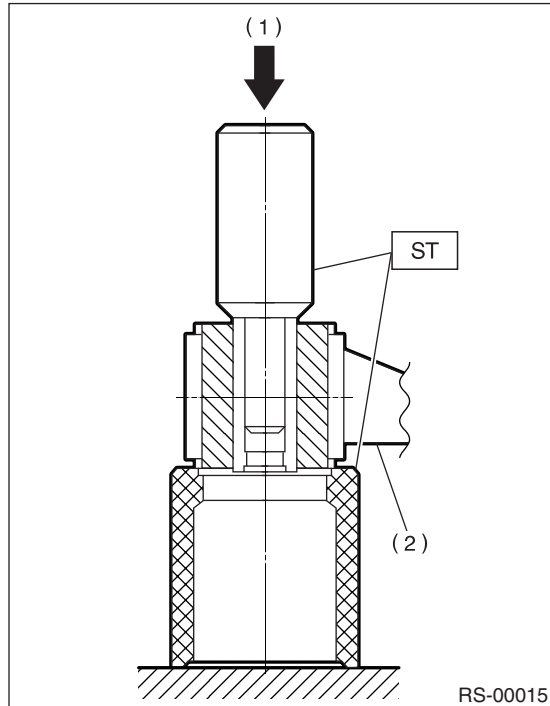


- (1) Press
- (2) Trailing link

2. REAR BUSHING

- 1) Remove the housing. <Ref. to DS-25, REMOV-AL, Rear Axle.>
- 2) Using the ST, press the rear bushing out of place.

ST 927730000 INSTALLER & REMOVER SET



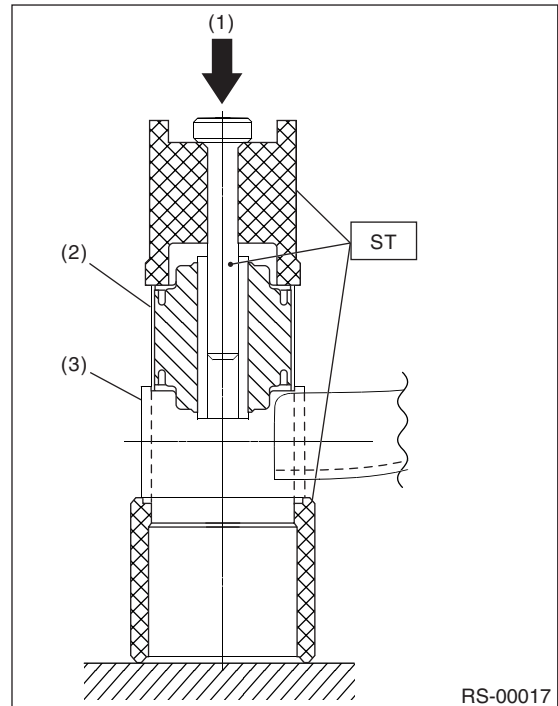
- (1) Press
- (2) Housing

D: ASSEMBLY

1. FRONT BUSHING

Using the ST, press the bushing into trailing link.
ST 927720000 INSTALLER & REMOVER SET

CAUTION:
Turn the ST plunger upside down and press it until the plunger end surface contacts trailing link end surface.



- (1) Press
- (2) Front bushing
- (3) Trailing link

REAR TRAILING LINK

REAR SUSPENSION

2. REAR BUSHING

1) Using the ST, press the bushing into trailing link.
ST 927730000 INSTALLER & REMOVER SET

NOTE:

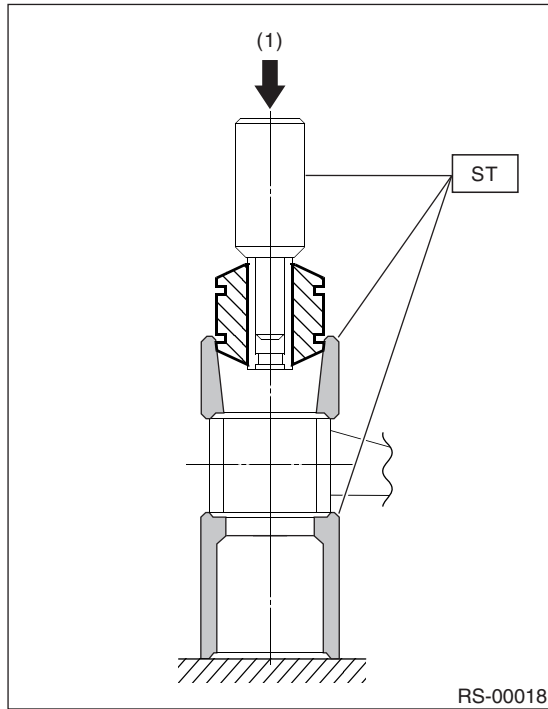
If it is difficult to press the bushing into trailing link, apply water-diluted TIRE LUBE to the inner surface of ST as a lubricant.

Specified lubricant:

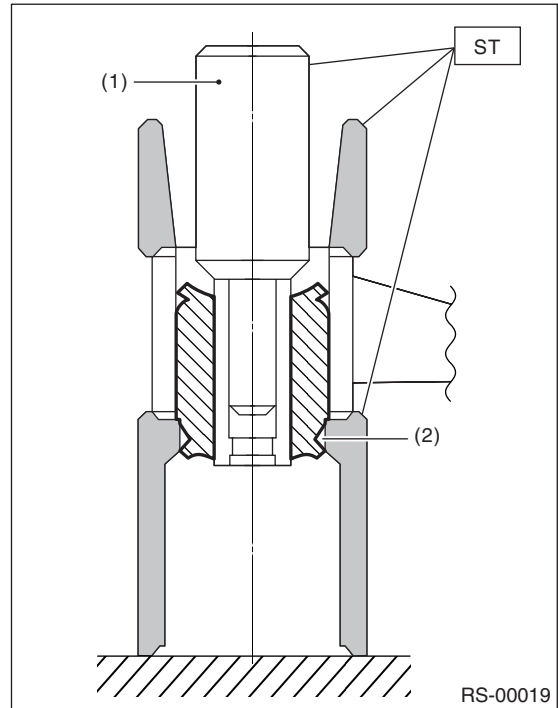
TIRE LUBE: water = 1: 3

2) Press the ST plunger until bushing flange protrudes beyond trailing link.

ST 927730000 INSTALLER & REMOVER SET



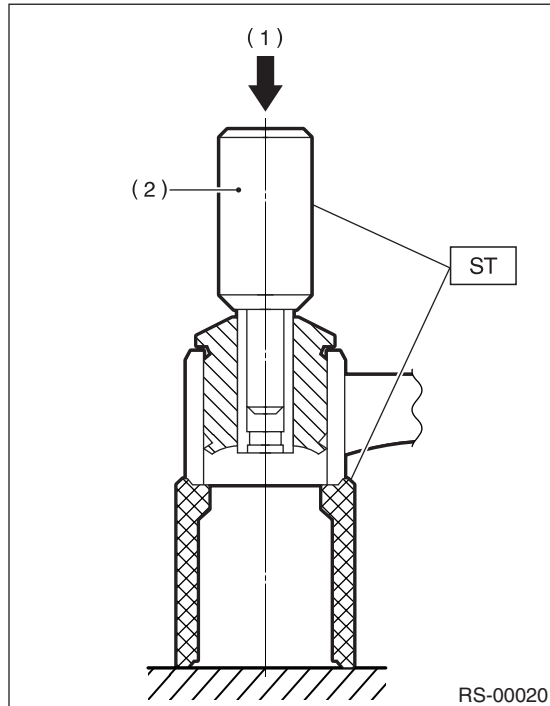
(1) Press



(1) Plunger
(2) Flange

3) Turn the trailing link upside down. Press the ST plunger in the opposite direction that outlines in the former procedure until bushing is correctly positioned in trailing link.

ST 927730000 INSTALLER & REMOVER SET



- (1) Press
- (2) Plunger

4) Install the housing. <Ref. to DS-25, REMOVAL, Rear Axle.>

E: INSPECTION

Check the trailing links for bends, corrosion or damage.