

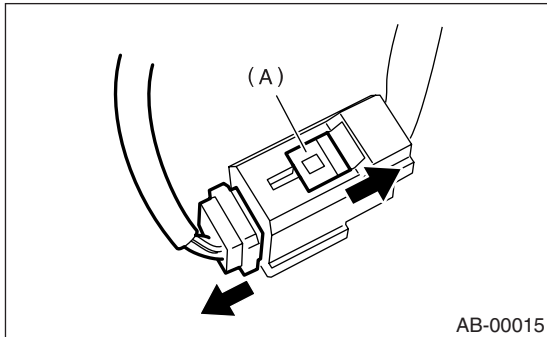
## 6. Airbag Connector

### A: OPERATION

#### 1. POWER SUPPLY

1) How to disconnect:

- (1) Move the slide lock (A) in the direction of the arrow.
- (2) Pull the female connector in the direction of the arrow with slide lock (A) moved.

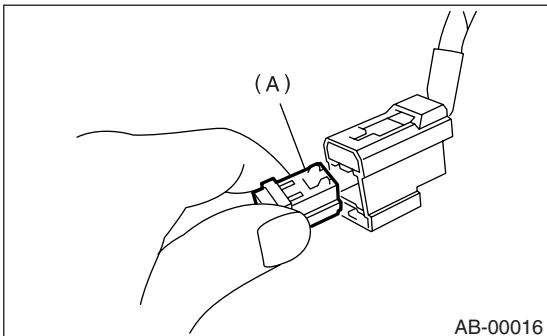


**CAUTION:**

**When pulling, be sure to hold onto the connector and not the wire.**

2) How to connect:

Holding the connector (A), and push it in carefully until a connecting sound is heard.



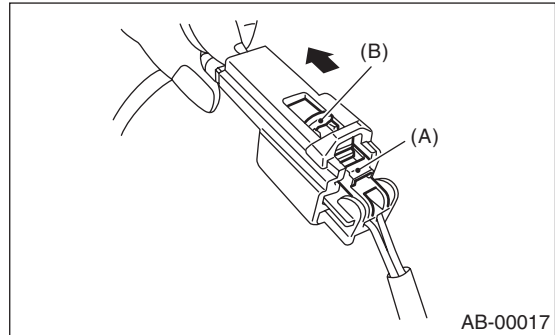
**CAUTION:**

**Be sure to insert the connector in until it locks. Then pull on it gently to make sure that it is locked.**

#### 2. DRIVER'S AIRBAG (AIRBAG MAIN HARNESS AND ROLL CONNECTOR), SIDE AIRBAG AND PRETENSIONER

1) How to disconnect:

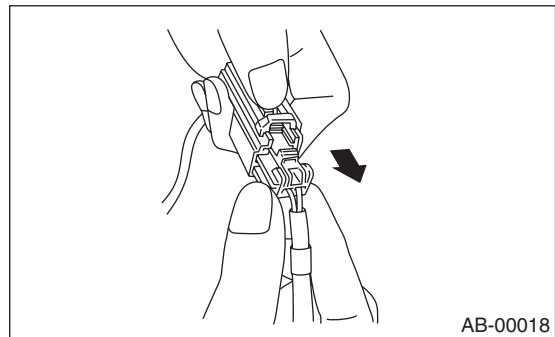
- (1) Push the lock arm (A).
- (2) With the lock arm (A) pushed in, move the slide lock (B) in the direction of the arrow.



- (3) With the slide lock pulled, remove the lock arm to its original position, and then pull in the direction of the arrow and separate the connector.

**CAUTION:**

**When pulling, be sure to hold onto the connector and not the wire.**

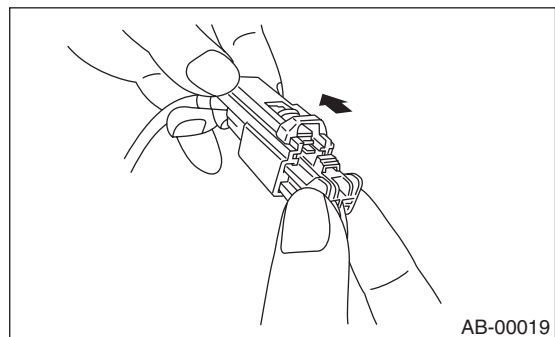


2) How to connect:

Holding the connector, and push it in carefully until a connecting sound is heard.

**CAUTION:**

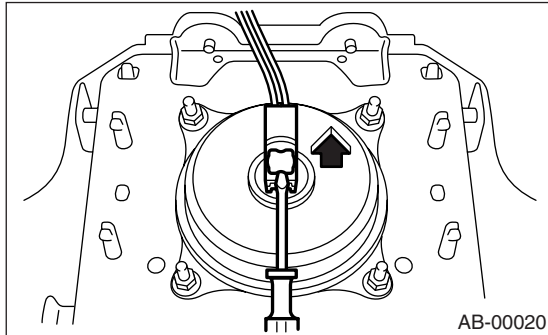
**Be sure to insert the connector in until it locks. Then pull on it gently to make sure that it is locked.**



## 3. DRIVER'S AIRBAG (ROLL CONNECTOR AND AIRBAG MODULE)

1) How to disconnect:

- (1) Using a flat tip screwdriver, pry the push lock upward to unlock.



- (2) Pull the connector to disconnect from driver's side airbag module assembly.

2) How to connect:

Connect the connector in reverse order of disconnecting. At this time, be sure to insert the connector in until connecting sound is heard.

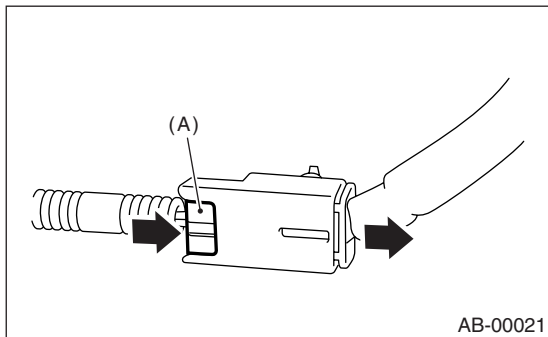
**CAUTION:**

Be sure to insert the connector in until it locks. Then pull on it gently to make sure that it is locked.

## 4. PASSENGER'S AIRBAG

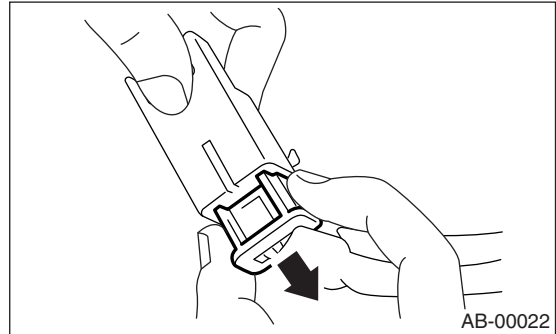
1) How to disconnect:

- (1) Push the lock arm (A).
- (2) With the lock arm (A) pushed in, pull the connector in the direction of arrow, and then disconnect the connector.



**CAUTION:**

When disconnecting the connector, be sure to hold onto the connector and not the wire.

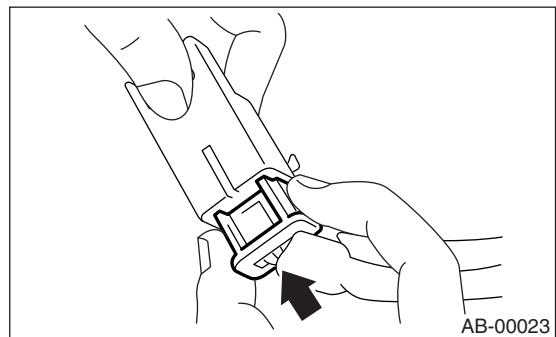


2) How to connect:

Holding the connector, and push it in carefully until a connecting sound is heard.

**CAUTION:**

Be sure to insert the connector in until it locks. Then pull on it gently to make sure that it is locked.



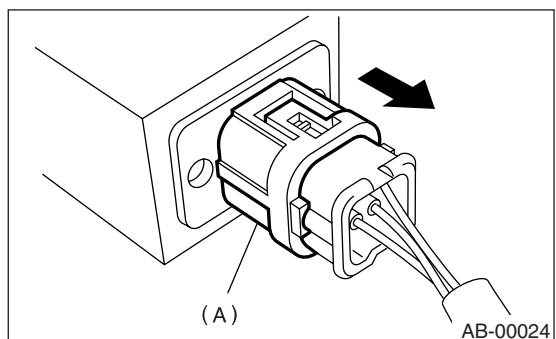
## 5. FRONT SUB-SENSOR AND SIDE AIRBAG SENSOR

1) How to disconnect:

Holding outer part (A), pull it in the direction of the arrow.

**CAUTION:**

When pulling, be sure to hold onto the connector and not the wire.



# AIRBAG CONNECTOR

## AIRBAG SYSTEM (DIAGNOSTICS)

---

2) How to connect:

Holding the connector, and push it in carefully until a connecting sound is heard.

**CAUTION:**

- Outer (A) moves back, and so do not put your hand on the outer part.
- Be sure to insert the connector in until it locks. Then pull on it gently to make sure that it is locked.

