

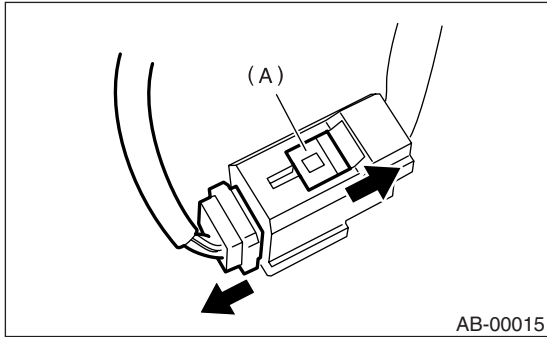
2. Airbag Connector

A: OPERATION

1. POWER SUPPLY

1) How to disconnect:

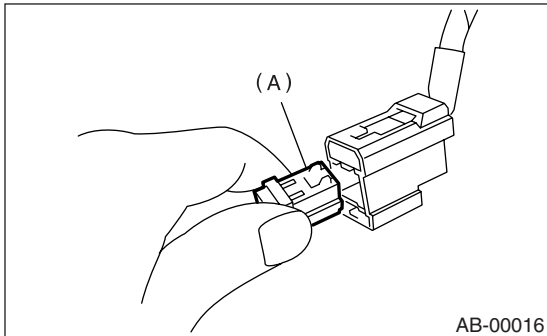
- (1) Move the slide lock (A) in the direction of the arrow.
- (2) Pull the female connector in the direction of the arrow with slide lock (A) moved.



CAUTION:
When pulling, be sure to hold onto the connector and not the wire.

2) How to connect:

Holding the connector (A), and push it in carefully until a connecting sound is heard.



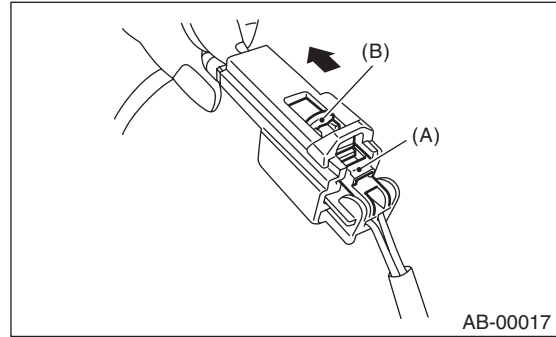
CAUTION:
Be sure to insert the connector in until it locks. Then pull on it gently to make sure that it is locked.

2. DRIVER'S AIRBAG (BETWEEN AIRBAG HARNESS AND ROLL CONNECTOR), PASSENGER'S AIRBAG AND SIDE AIRBAG

1) How to disconnect:

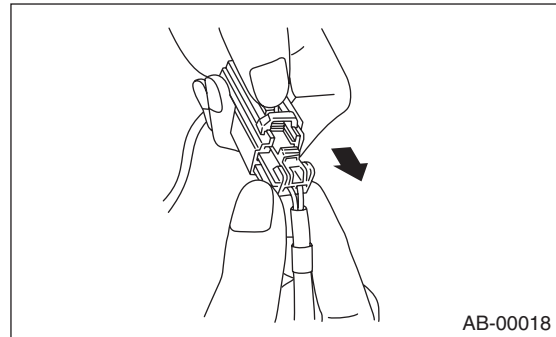
- (1) Push the lock arm (A).

- (2) With the lock arm (A) pushed in, move the slide lock (B) in the direction of the arrow.



- (3) With the slide lock pulled, remove the lock arm to its original position, and then pull in the direction of the arrow and separate the connector.

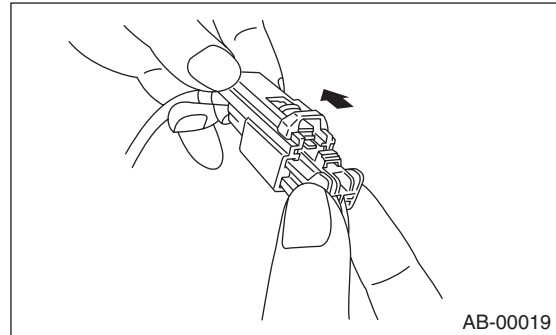
CAUTION:
When pulling, be sure to hold onto the connector and not the wire.



2) How to connect:

Holding the connector, and push it in carefully until a connecting sound is heard.

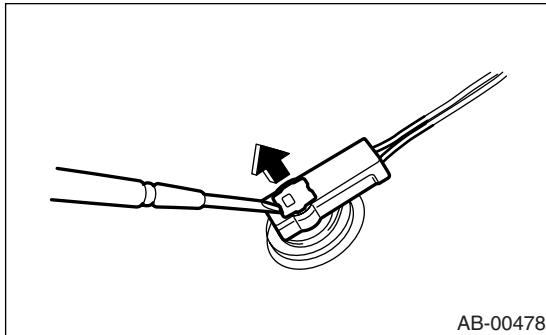
CAUTION:
Be sure to insert the connector in until it locks. Then pull on it gently to make sure that it is locked.



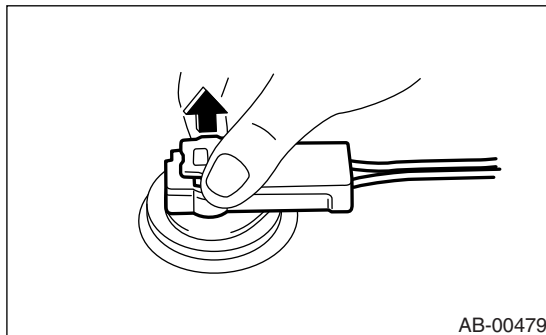
3. DRIVER'S AIRBAG MODULE AND PRE-TENSIONER

1) How to disconnect:

(1) Using a flat tip screwdriver, pry the push lock upward to unlock.



(2) Pull the connector to disconnect from driver's side airbag module assembly.

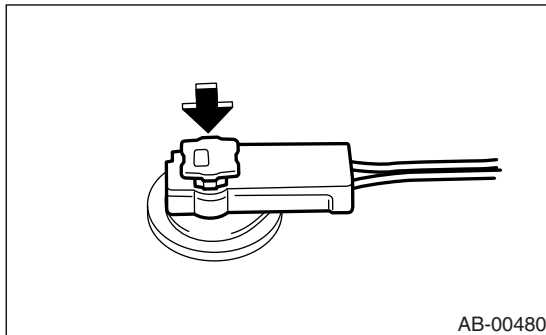


2) How to connect:

Connect the connector in reverse order of disconnecting. At this time, be sure to insert the connector in until connecting sound is heard.

CAUTION:

- Be sure to insert the connector in until it locks. Then pull on it gently to make sure that it is locked.
- At this time, be sure to insert the push lock in.



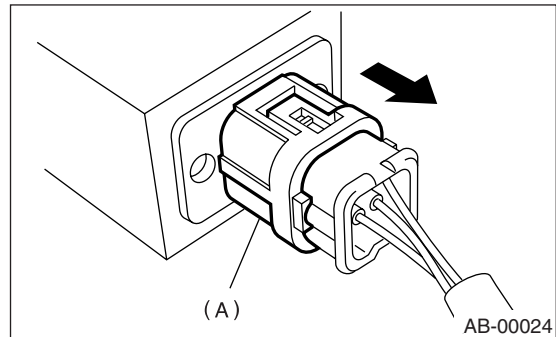
4. FRONT SUB-SENSOR AND SIDE AIRBAG SENSOR

1) How to disconnect:

Holding outer part (A), pull it in the direction of the arrow.

CAUTION:

When pulling, be sure to hold onto the connector and not the wire.



2) How to connect:

Holding the connector, and push it in carefully until a connecting sound is heard.

CAUTION:

- Outer (A) moves back, and so do not put your hand on the outer part.
- Be sure to insert the connector in until it locks. Then pull on it gently to make sure that it is locked.

