

INSPECTION LOCATIONS AFTER A COLLISION

AIRBAG SYSTEM

3. Inspection Locations After a Collision

A: REPLACEMENT

When airbag system is deployed, replace the following parts.

1. FRONT COLLISION

- 1) Driver's airbag module
- 2) Passenger's airbag module
- 3) Driver's seat belt (pretensioner)
- 4) Passenger's seat belt (pretensioner)
- 5) Airbag control module
- 6) Front sub-sensor
- 7) Roll connector

2. SIDE COLLISION

- 1) Airbag control module
- 2) Side airbag module (operating side seat bag)
- 3) Side airbag sensor (operating side)

3. INSPECTION OF OTHER PARTS

Check for the following parts, replace the damaged parts with new ones.

- 1) Steering wheel and steering shaft

Check the steering wheel and steering shaft for mounting condition and deflection of axial and radial, upward and downward direction. Check the steering shaft for deflection of axial and radical direction with tilt lever released. (After a collision, absorbing part of steering shaft may inflate.)

- 2) Check the direct type connector of driver's airbag module, pretensioner, etc. for damage, and also check each harness for pinch and connector damage. If damage is found, replace the harness as a unit.

B: INSPECTION

If the vehicle is involved in a collision on any side, even if it is a slight collision, be sure to check the following system parts.

1. DRIVER'S AIRBAG MODULE

- 1) Check for the following, and replace damaged parts with new parts.

- Airbag module is cracked or deformed.
- Harness and/or connector is cracked, deformed or open. Lead wire is exposed.
- The module surface is fouled with grease, oil, water or cleaning solvent.

- 2) When installing a new driver's airbag module, check the following. If necessary, install a new airbag module and steering wheel.

- The steering wheel is in the way, making it difficult to install the airbag module.

- The clearance between the driver's airbag module and steering wheel is not constant.
- The steering wheel deformation in axial and radial directions exceed limits.

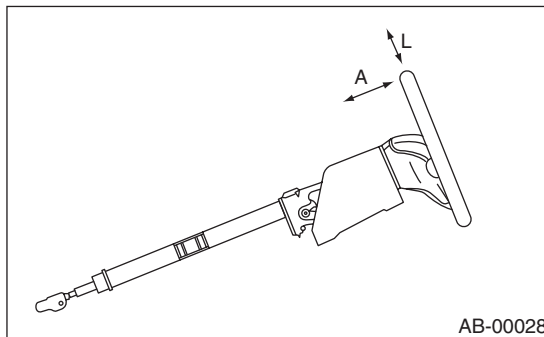
Specifications:

Height deflection A

Less than 6 mm (0.24 in)

O.D. deflection L

Less than 17 mm (0.67 in)



2. PASSENGER'S AIRBAG MODULE

Check for the following, and replace damaged parts with new parts.

- Airbag module is cracked or deformed.
- Harness and/or connector is cracked, deformed or open. Lead wire is exposed.
- Mounting bracket is cracked or deformed.

3. SIDE AIRBAG MODULE

Check for the following, and replace damaged parts with new parts.

- Front seat is damaged or deformed.
- Harness and/or connector is cracked, deformed or open.
- Lead wire is exposed.

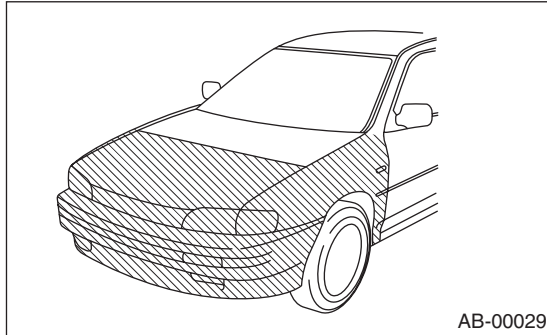
4. AIRBAG CONTROL MODULE

Check for the following, and replace damaged parts with new parts.

- Control module is cracked or deformed.
- Mounting bracket is cracked or deformed.
- Connector is scratched or deformed.
- Airbag is deployed.
- Side airbag is deployed.

5. FRONT SUB SENSOR

If the front section of vehicle as shown in the figure is damaged:

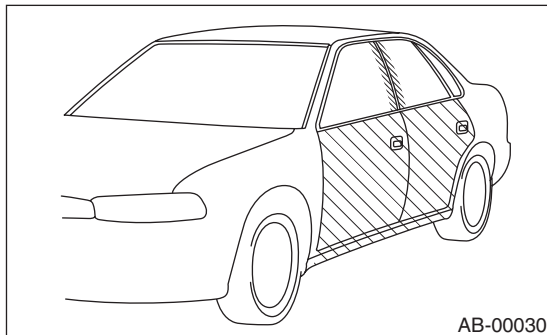


Check for the following, and replace damaged parts with new parts.

- Front sub sensor is cracked or deformed.
- Mounting bracket is cracked or deformed.
- Connector is scratched or cracked.
- Airbag is deployed.

6. SIDE AIRBAG SENSOR

If the side section of vehicle as shown in the figure is damaged:



Check for the following, and replace damaged parts with new parts.

- Side airbag sensor is cracked or deformed.
- Mounting bracket is cracked or deformed.
- Connector is scratched or cracked.
- Side airbag is deployed. (operating side)

7. ROLL CONNECTOR

Check for the following, and replace damaged parts with new parts.

- Combination switch or steering roll connector is cracked or deformed.

8. STEERING SHAFT

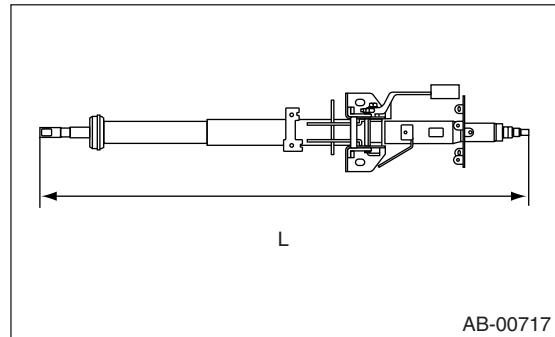
Check for the following, and replace damaged parts with new parts.

- Overall length of steering column should be within specifications.

Specifications:

Overall length L

815.6±1.5 mm (32.1±0.06 in)



If necessary, replace it with a new part.