

## 6. Side Airbag Module

### A: REMOVAL

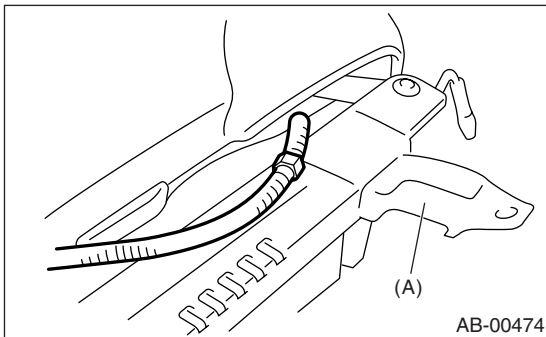
**CAUTION:**

Before working on the airbag module, refer to the “CAUTION” in General Description. <Ref. to AB-3, CAUTION, General Description.>

**NOTE:**

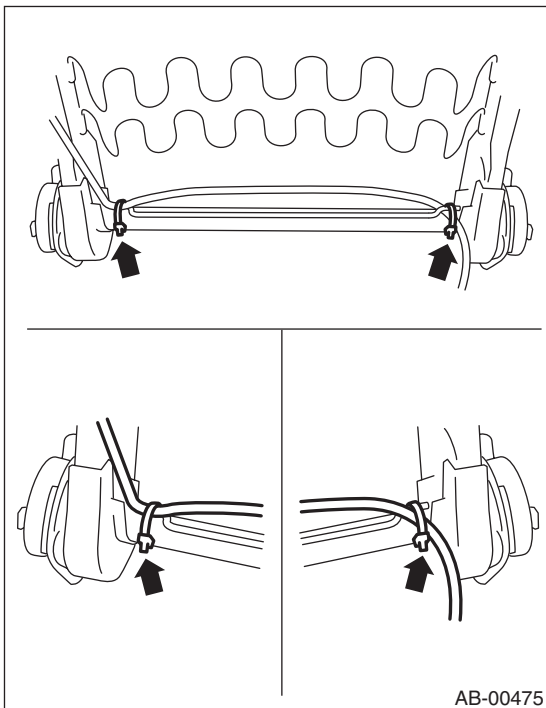
Remove the passenger’s side by referring to driver’s side.

- 1) Turn the ignition switch to OFF.
- 2) Disconnect the ground cable from battery, and wait for at least 20 seconds before starting work.
- 3) Remove the front seat from the vehicle. <Ref. to SE-6, REMOVAL, Front Seat.>
- 4) Remove the clip, and then remove the side airbag harness from slide rail IN (A) and reverse side of seat cushion assembly.

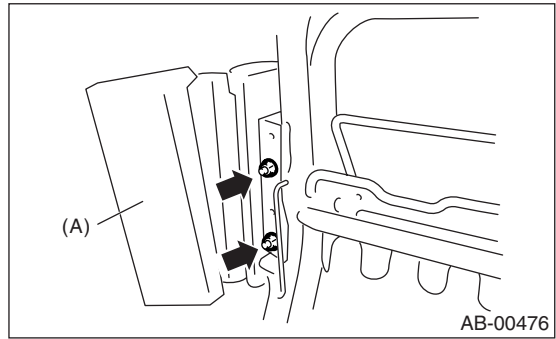


- 5) Remove the backrest cover. <Ref. to SE-6, DISASSEMBLY, Front Seat.>

- 6) Remove the side airbag harness from backrest frame assembly.



- 7) Remove the side airbag module (A) from backrest frame assembly.

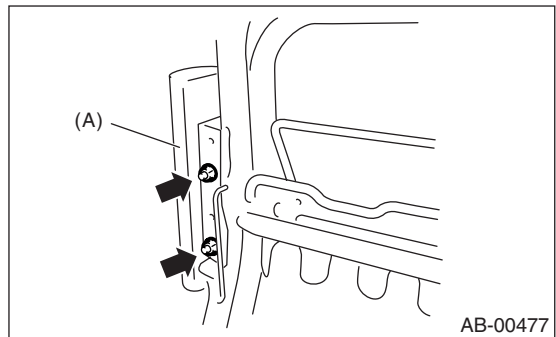


### B: INSTALLATION

- 1) Ensure there are no foreign particles on side airbag module.
- 2) Install the side airbag module (A) to backrest frame assembly.

**Tightening torque:**

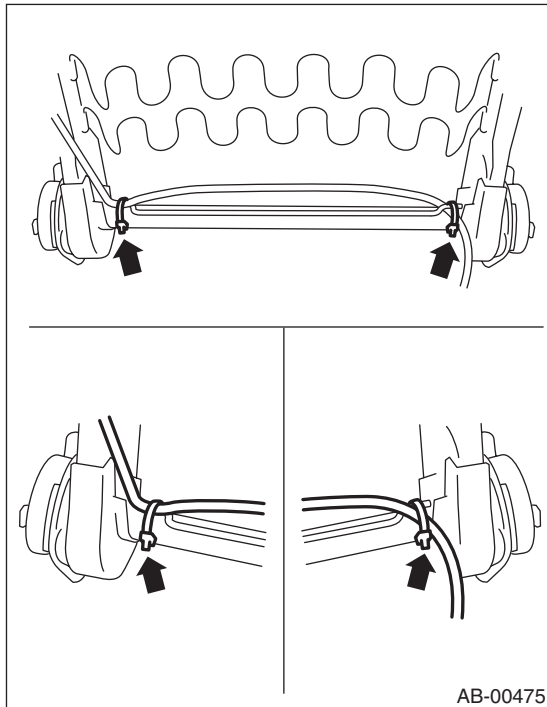
**5.9 N·m (0.59 kgf·m, 4.4 ft·lb)**



3) Install the side airbag harness to backrest frame assembly.

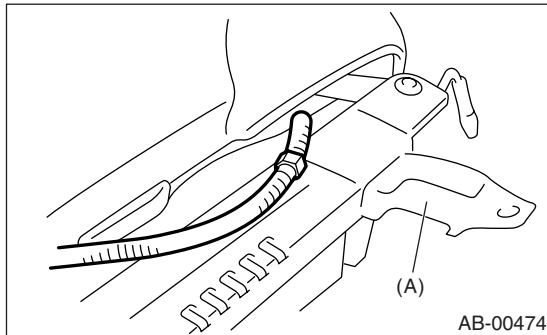
**NOTE:**

Secure the harness to its original position of seat.



4) Install the backrest cover. <Ref. to SE-11, ASSEMBLY, Front Seat.>

5) Install the side airbag harness to slide rail IN (A).



6) Recline the seat or slide it backward and forward. Check there is no contact between seat backrest assembly, cushion cover assembly and side airbag harness.

## C: INSPECTION

**CAUTION:**

**Before working on the airbag module, refer to the “CAUTION” in General Description. <Ref. to AB-3, CAUTION, General Description.>**

Perform the inspection of following items, and replace the damaged parts with new ones. <Ref. to AB-10, SIDE AIRBAG MODULE, INSPECTION, Inspection Locations After a Collision.>

1) With side clash (when side airbag is deployed)

**<Replacement parts>**

- Side airbag module assembly
- Backrest pad assembly
- Backrest frame assembly
- Backrest cover assembly

**<Other replacement parts, which found to be damaged by visual check>**

- Headrest assembly
- Bush
- Slide rail OUT
- Slide rail IN
- Seat hinge cover
- Seat lifter lever
- Reclining lever
- Side airbag harness and connector (body side)

2) Without side clash (when side airbag is not deployed)

Check the seat and airbag module visually, and then replace them with new ones if damaged or cracked.

Specially inspect the damage of airbag module body, installing bracket, harness connector.

3) Without side clash (dirt and damage of cover)  
Replace the corresponding part with a new one.