

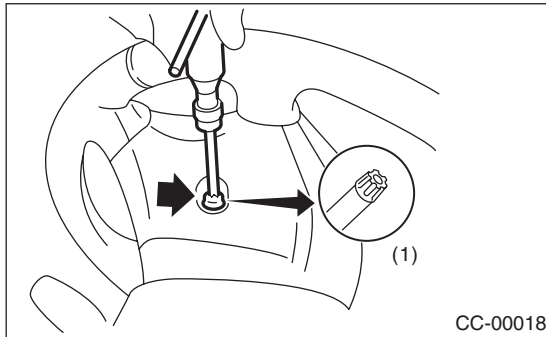
5. Cruise Control Command Switch

A: REMOVAL

WARNING:

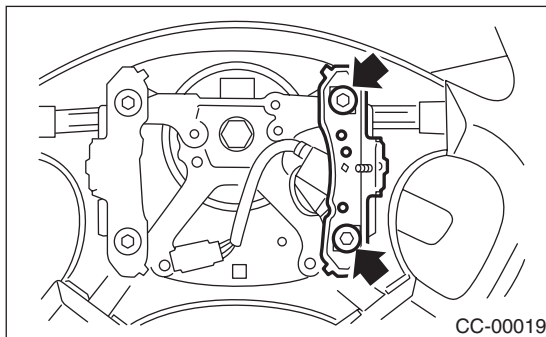
Before servicing, be sure to read the notes in the AB section for proper handling of the driver's airbag module. <Ref. to AB-3, CAUTION, General Description.>

- 1) Set the front wheels in straight ahead position.
- 2) Turn the ignition switch to OFF.
- 3) Disconnect the ground cable from battery and wait for at least 20 seconds before starting work.
- 4) Using the TORX® BIT T30 (Tamper resistant type), loosen the two TORX® bolts which secure driver's airbag module.

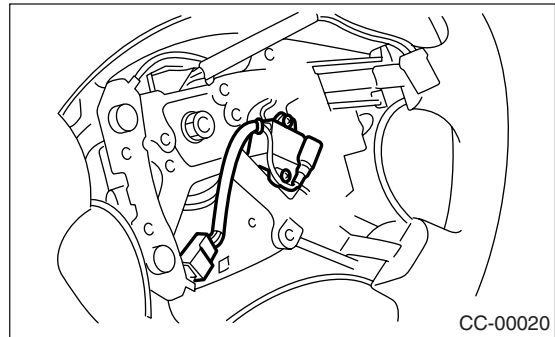


(1) TORX® BIT T30

- 5) Disconnect the airbag module connector on back of airbag module.
- 6) Remove the horn switch from steering wheel as shown.



- 7) Disconnect the horn and cruise control command switch connector, then remove the cruise control command switch.

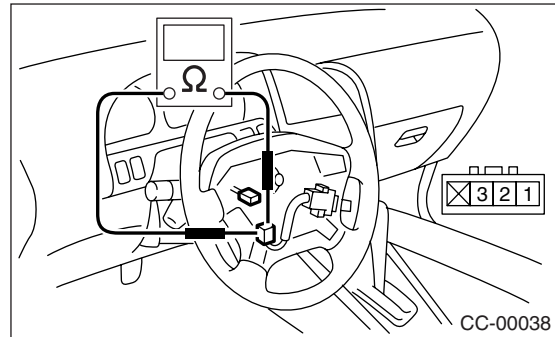


B: INSTALLATION

Install in the reverse order of removal.

C: INSPECTION

Measure the cruise control command switch resistance.



Switch	Position	Terminal No.	Standard
CANCEL	ON	1 (+) and 2 (-)	Less than 1 Ω
	ON	1 (+) and 3 (-)	Less than 1 Ω
SET/COAST	OFF	1 and 2	More than 1 MΩ
	ON	1 and 2	Less than 1 Ω
RESUME/ACCEL	OFF	1 and 3	More than 1 MΩ
	ON	1 and 3	Less than 1 Ω

If NG, replace the cruise control command switch.