

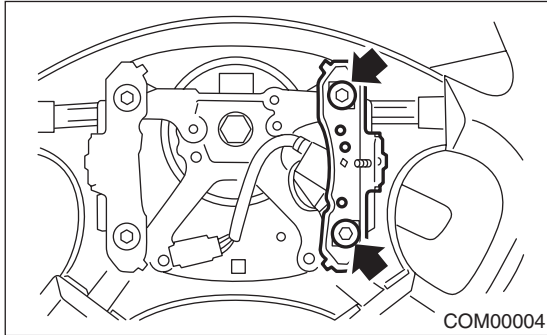
## 4. Horn Switch

### A: REMOVAL

**WARNING:**

Before servicing, be sure to read the notes in the AB section for proper handling of the driver airbag module. <Ref. to AB-3, CAUTION, General Description.>

- 1) Disconnect the ground cable from battery.
- 2) Remove the driver's airbag module. <Ref. to AB-12, Driver's Airbag Module.>
- 3) Remove the horn switch from the steering wheel as shown in the figure.

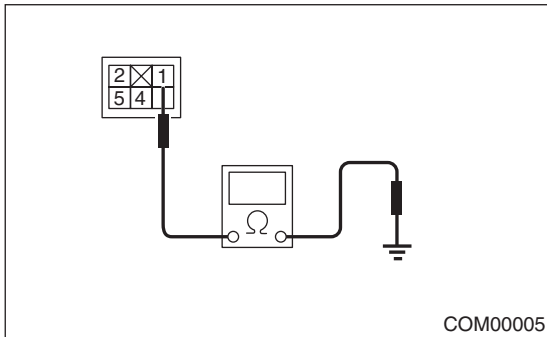


### B: INSTALLATION

Install in the reverse order of removal.

### C: INSPECTION

Measure the horn switch resistance.



Switch position	Terminal No.	Resistance
When horn switch is pushed.	1 and body ground	Less than 1Ω
When horn switch is not pushed.		More than 1MΩ

