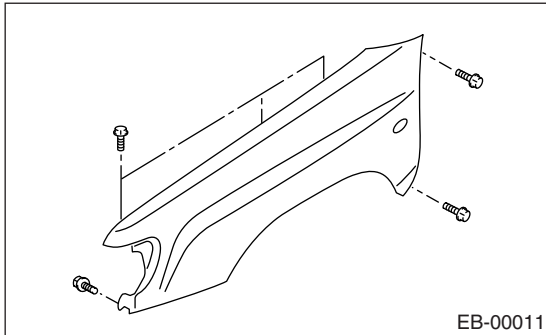


3. Front Fender Panel

A: REMOVAL

- 1) Disconnect the ground cable from battery.
- 2) Remove the front bumper face. <Ref. to EI-19, REMOVAL, Front Bumper.>
- 3) Remove the mud guard. <Ref. to EI-28, REMOVAL, Mud Guard.>
- 4) Remove the side sill spoiler. <Ref. to EI-30, REMOVAL, Side Sill Spoiler.>
- 5) Remove the side protector. <Ref. to EI-31, REMOVAL, Side Garnish.>
- 6) Loosen the bolts and clip to remove front fender panel.



B: INSTALLATION

- 1) Install in the reverse order of removal.
- 2) When the front fender panel is installed, clearance between front fender panel and front hood panel must be equal.

Tightening torque:

7.4 N·m (0.75 kgf-m, 5.5 ft-lb)