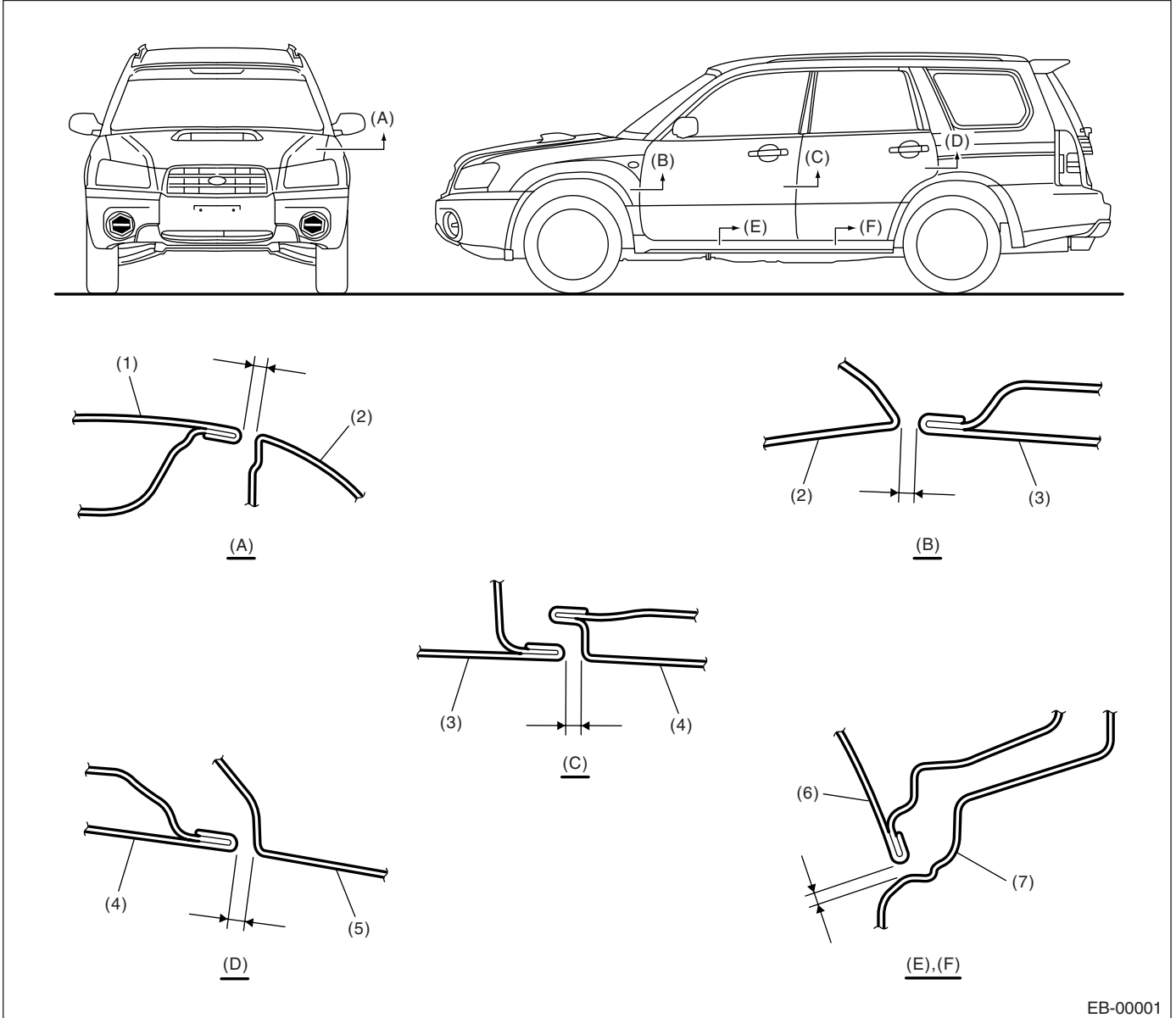


GENERAL DESCRIPTION

EXTERIOR BODY PANELS

1. General Description

A: SPECIFICATIONS

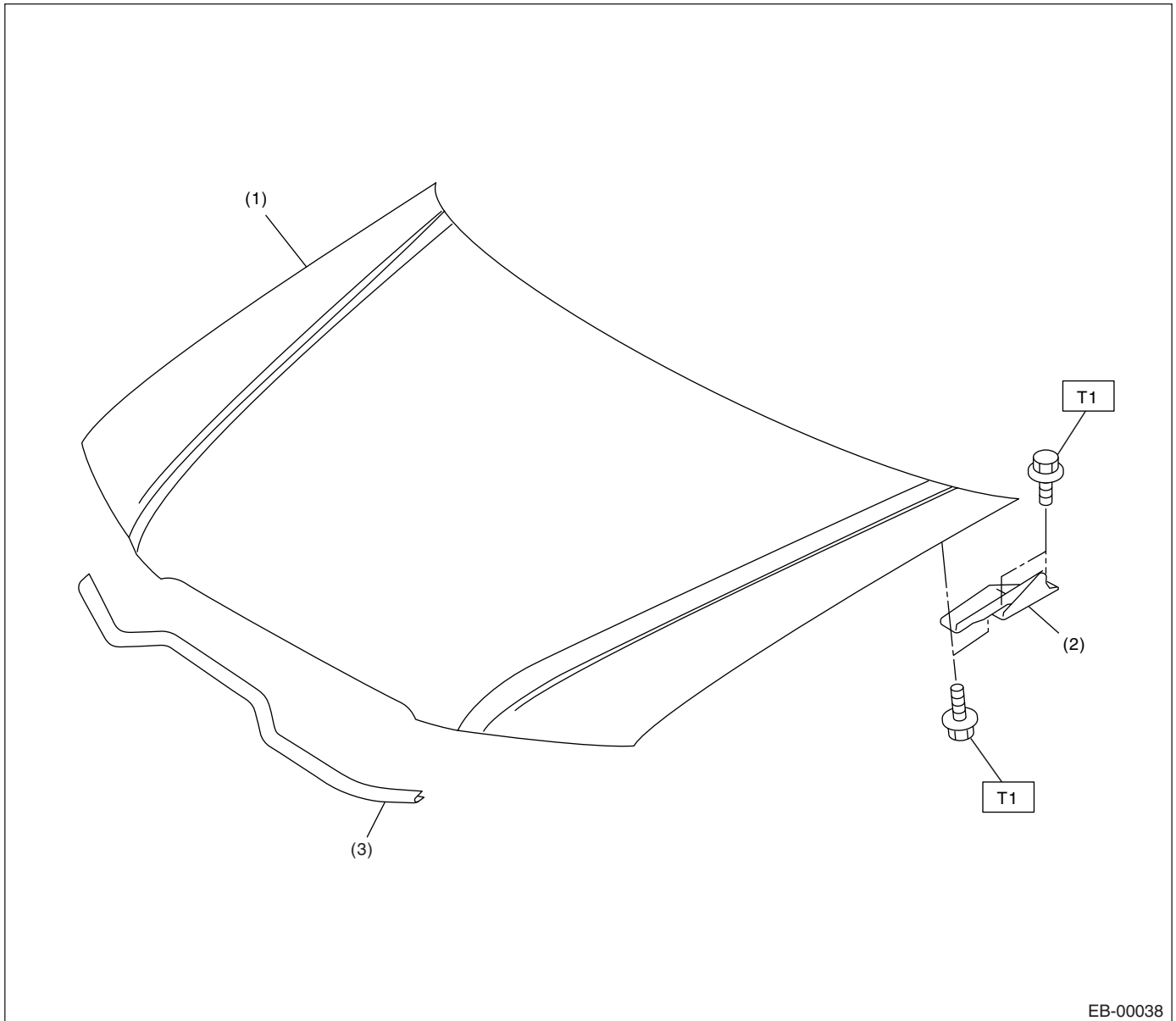


- | | | |
|------------------------|------------------------|---------------|
| (1) Front hood panel | (4) Rear door panel | (7) Side sill |
| (2) Front fender panel | (5) Rear quarter panel | |
| (3) Front door panel | (6) Door panel | |

Section	Part	Specification
(A)	Front hood panel to Front fender panel	3.5±1.0 mm (0.14±0.04 in)
(B)	Front fender panel to Front door panel	4.7±1.0 mm (0.19±0.04 in)
(C)	Front door panel to Rear door panel	5.0 mm (0.20 in)
(D)	Rear door panel to Rear quarter panel	4.6 mm (0.18 in)
(E), (F)	Door panel to Side sill	5.9 mm (0.23 in)

B: COMPONENT

1. FRONT HOOD



EB-00038

- (1) Front hood
- (2) Hinge

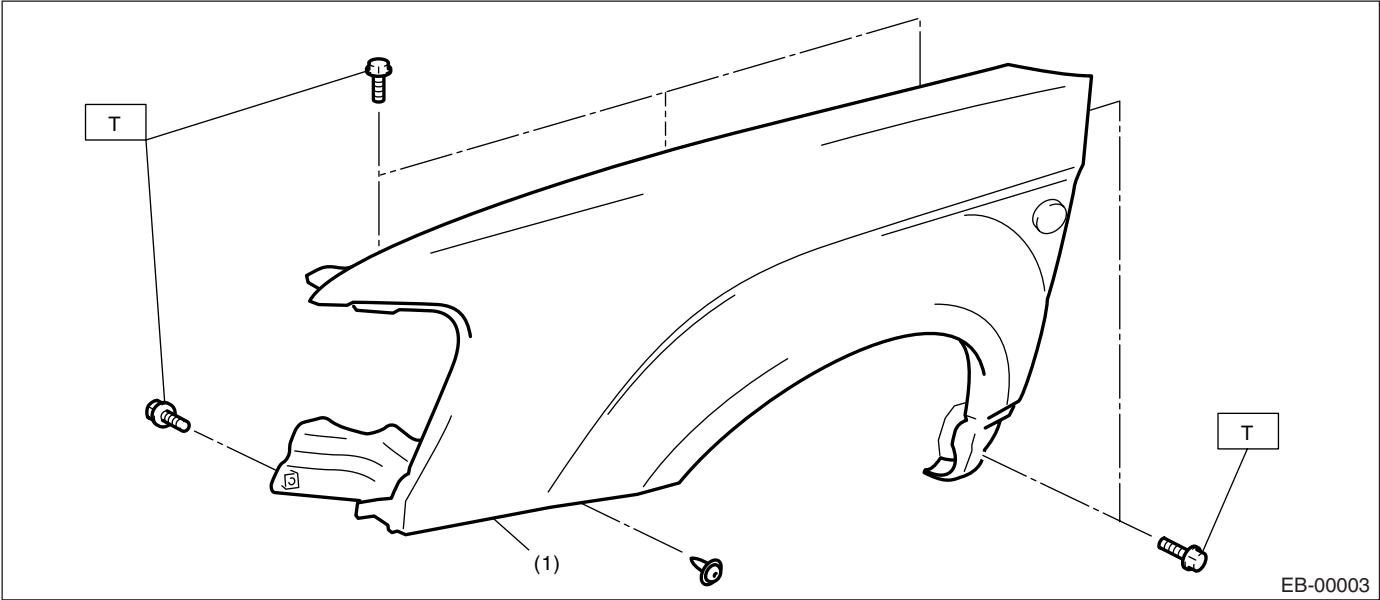
- (3) Seal

Tightening torque: N-m (kgf-m, ft-lb)
T1: 24.5 (2.5, 18.1)

GENERAL DESCRIPTION

EXTERIOR BODY PANELS

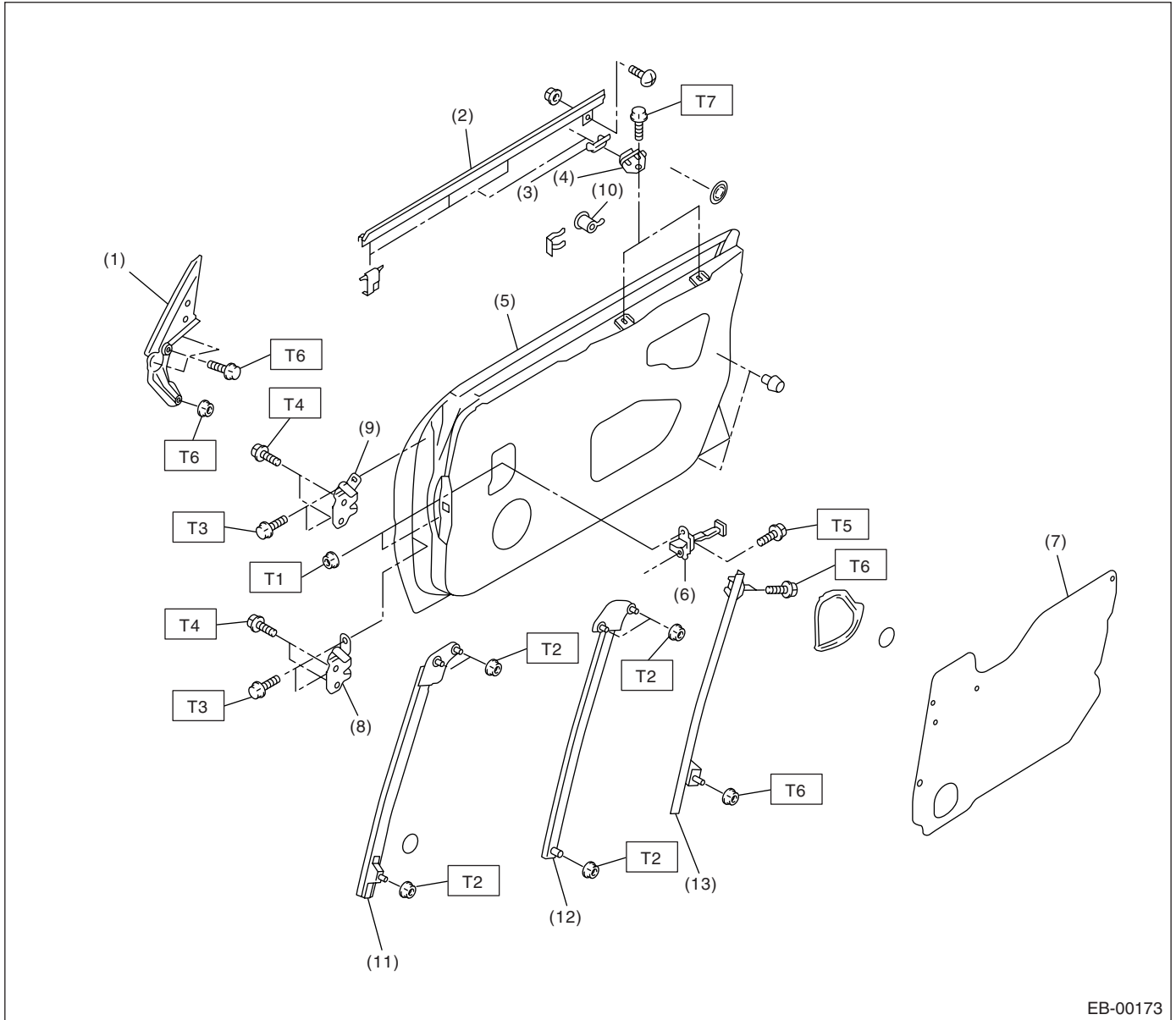
2. FRONT FENDER PANEL



(1) Front fender panel

Tightening torque: N·m (kgf·m, ft·lb)
T: 7.4 (0.75, 5.5)

3. FRONT DOOR PANEL



EB-00173

- | | |
|------------------------|--|
| (1) Gusset | (9) Upper hinge |
| (2) Weatherstrip | (10) Key cylinder (Driver's side only) |
| (3) Stabilizer (Outer) | (11) Front sash |
| (4) Stabilizer (Inner) | (12) Rear sash |
| (5) Door panel | (13) Guide rail |
| (6) Checker | |
| (7) Sealing cover | |
| (8) Lower hinge | |

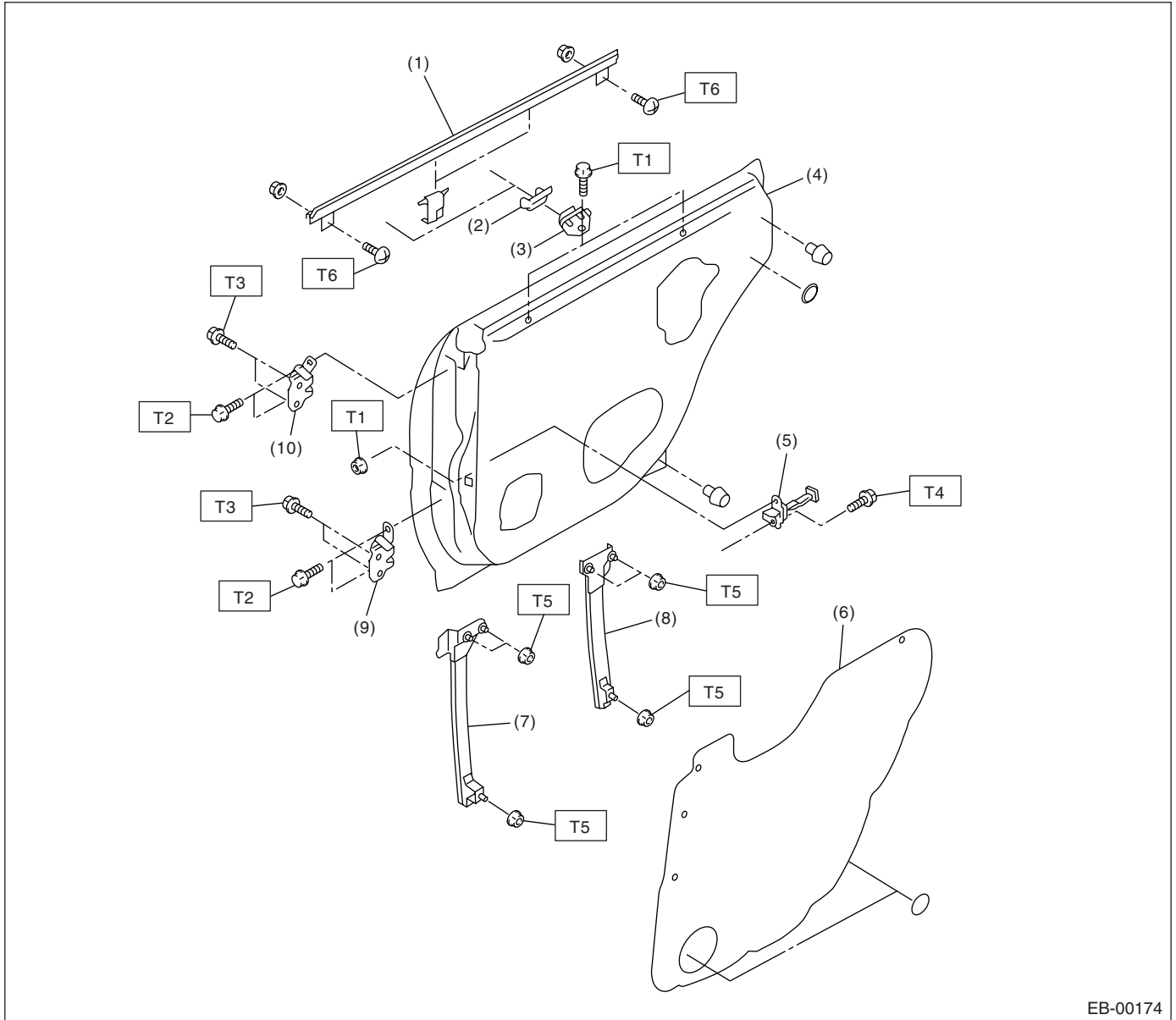
Tightening torque: N·m (kgf·m, ft·lb)

- T1: 7.5 (0.76, 5.5)**
T2: 14 (1.4, 10.3)
T3: 25 (2.5, 18)
T4: 30 (3.1, 22)
T5: 33 (3.4, 24)
T6: 6 (0.6, 4.4)
T7: 1.5 (0.15, 1.1)

GENERAL DESCRIPTION

EXTERIOR BODY PANELS

4. REAR DOOR PANEL



- | | |
|------------------------|------------------|
| (1) Weatherstrip | (8) Rear sash |
| (2) Stabilizer (Outer) | (9) Lower hinge |
| (3) Stabilizer (Inner) | (10) Upper hinge |
| (4) Door panel | |
| (5) Checker | |
| (6) Sealing cover | |
| (7) Front sash | |

Tightening torque: N·m (kgf·m, ft·lb)

T1: 7.5 (0.76, 5.5)

T2: 25 (2.5, 18)

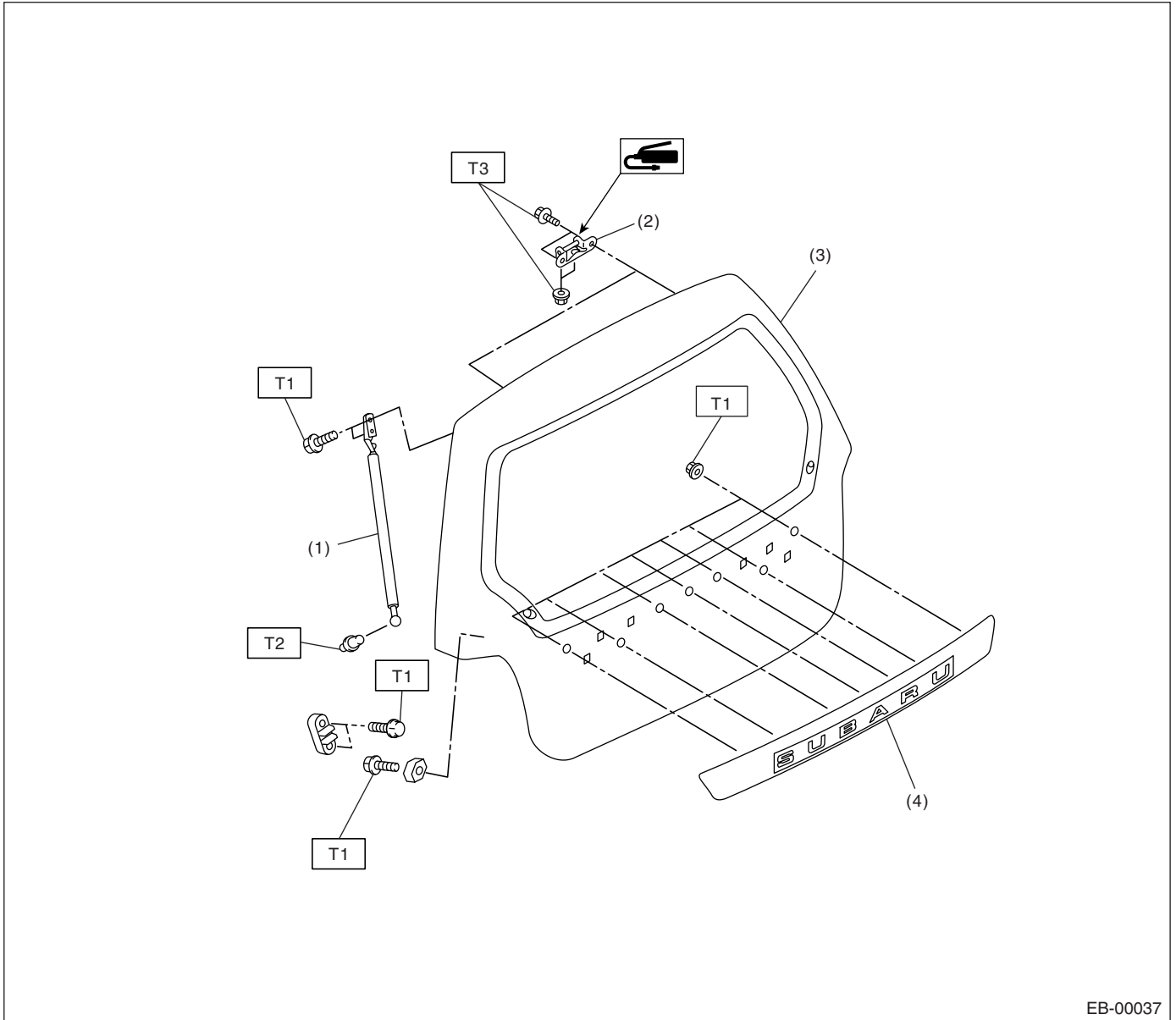
T3: 30 (3.1, 18)

T4: 33 (3.4, 24)

T5: 14 (1.4, 10.3)

T6: 1.5 (0.15, 1.1)

5. REAR GATE PANEL



EB-00037

- (1) Damper stay
- (2) Hinge
- (3) Rear gate
- (4) Rear gate garnish

Tightening torque: N·m (kgf·m, ft·lb)

T1: 7.5 (0.76, 5.5)

T2: 14 (1.4, 10.1)

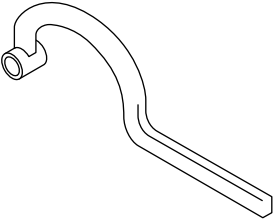
T3: 25 (2.5, 18.1)

GENERAL DESCRIPTION

EXTERIOR BODY PANELS

C: PREPARATION TOOL

1. SPECIAL TOOLS

ILLUSTRATION	TOOL NUMBER	DESCRIPTION	REMARKS
 ST-925610000	925610000	WRENCH	Used for removing and installing door hinge.

2. GENERAL TOOL

TOOL NAME	REMARKS
Support Jack	Used for supporting door panel.