

REAR GATE GARNISH ASSEMBLY

EXTERIOR BODY PANELS

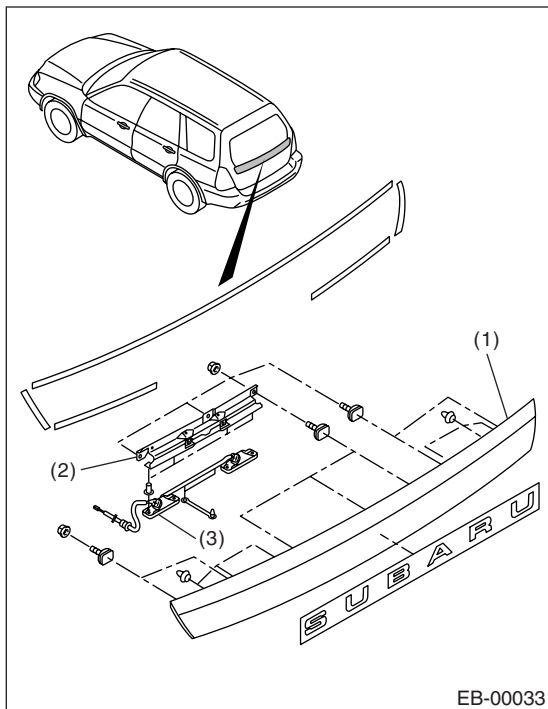
9. Rear Gate Garnish Assembly

A: REMOVAL

- 1) Remove the rear gate panel trim. <Ref. to EI-45, REMOVAL, Rear Gate Trim.>
- 2) Remove the rear wiper motor. <Ref. to WW-17, REMOVAL, Rear Wiper Motor.>
- 3) Remove the seven frange nuts from inside of rear gate panel.
- 4) Remove the licence plate light assembly.
- 5) Close the gate, and then remove the rear gate garnish assembly, pulling it forward by hand.

NOTE:

Be careful not to pull it strongly to avoid damage to clips.



- (1) Rear gate garnish ASSY
- (2) Licence plate light bracket
- (3) Licence plate light

B: INSTALLATION

Install in the reverse order of removal.

C: INSPECTION

Check for serious scratches or cracks in rear gate garnish assembly.